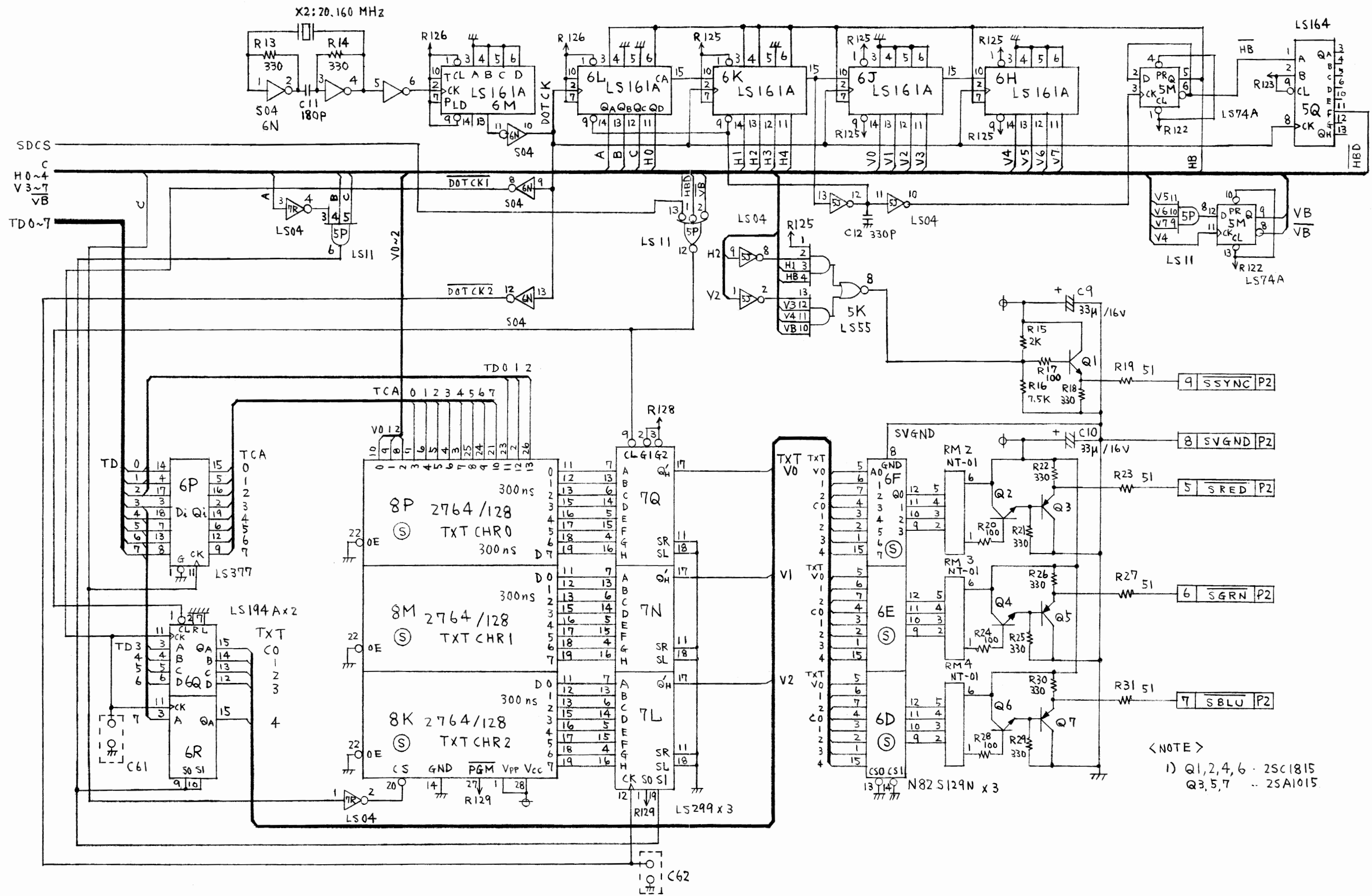
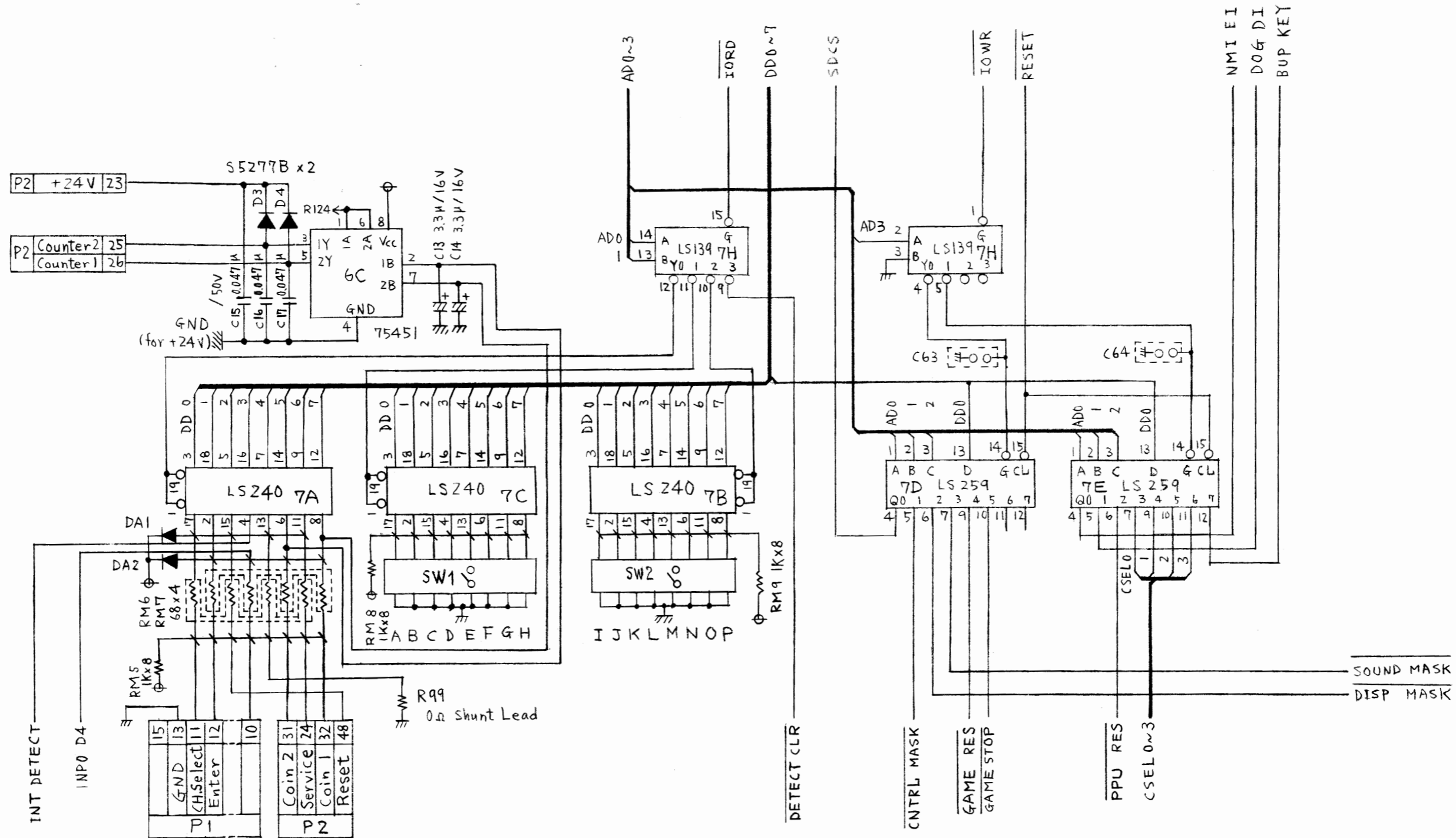
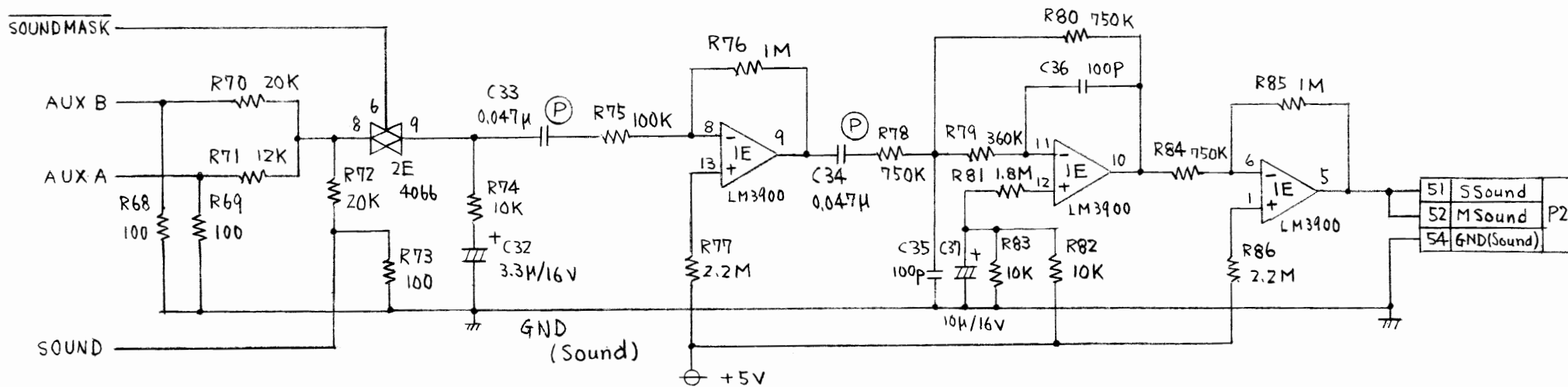
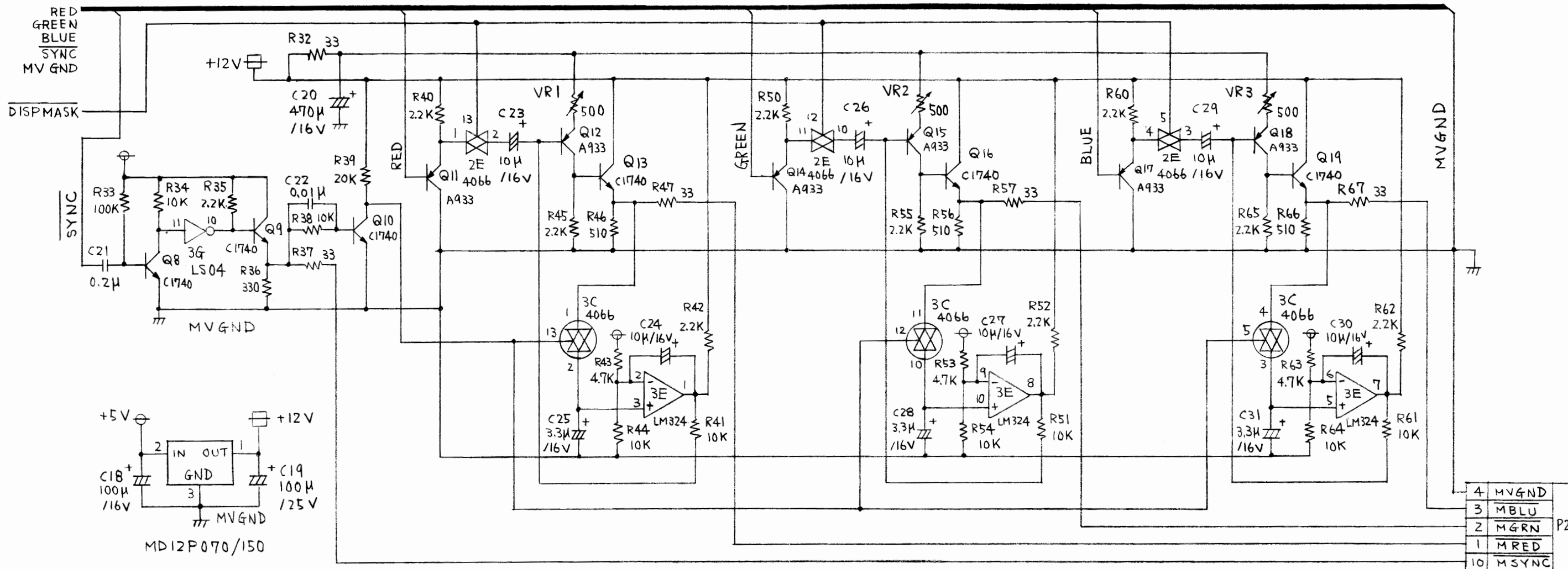


A PCH1-CPU SCHEMATIC Sheet 1

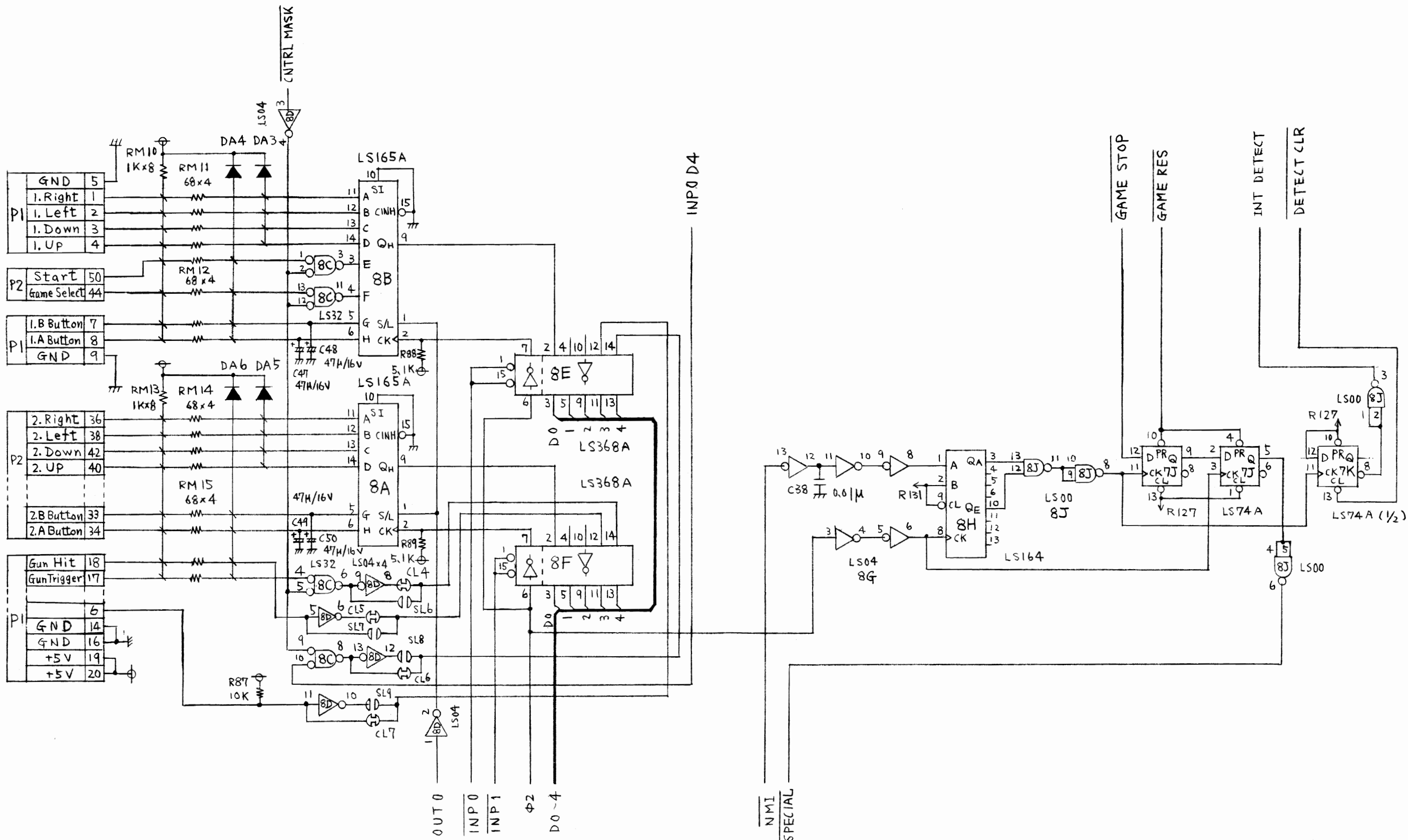


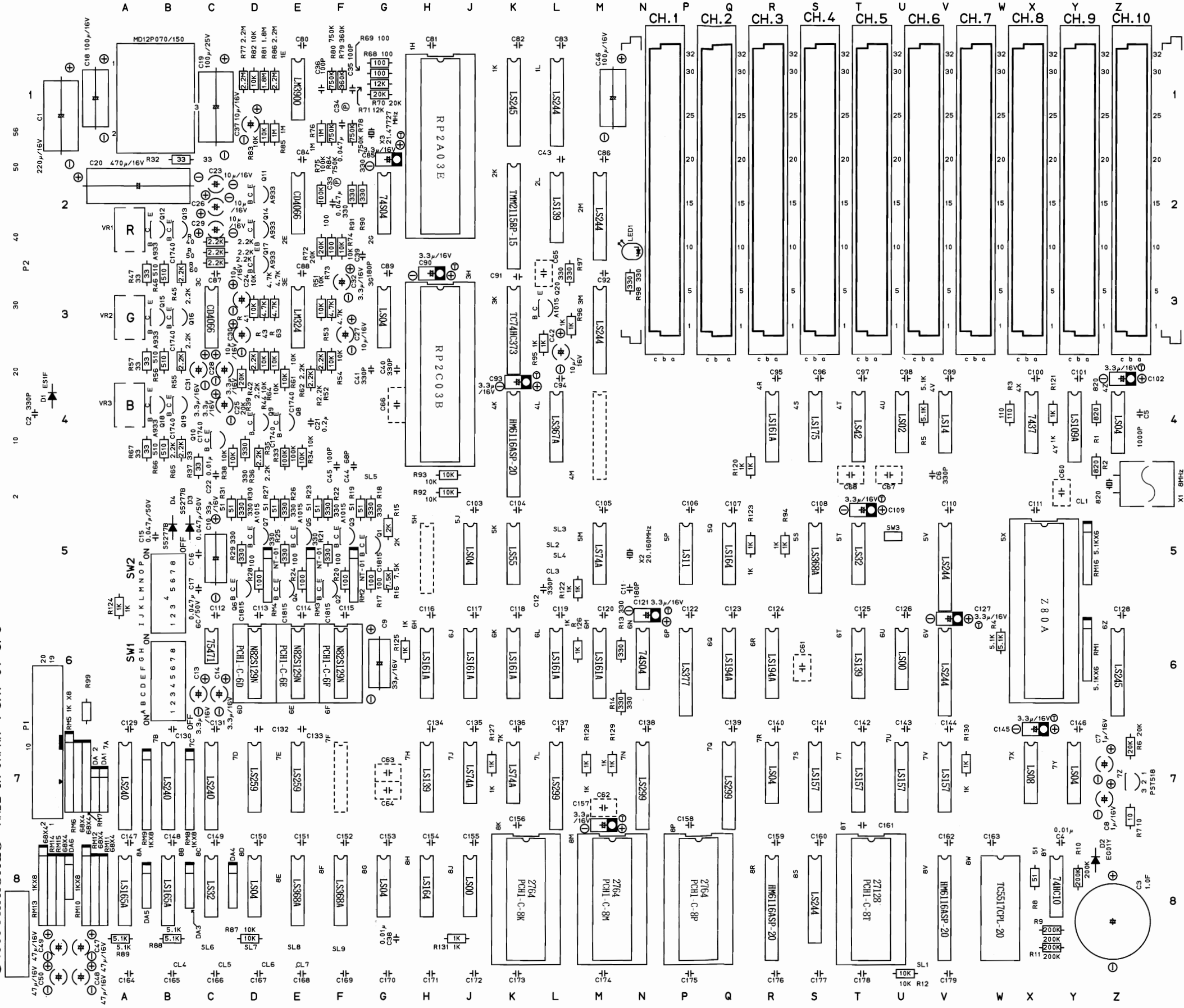
<NOTE>
 1) Q1,2,4,6 - 2SC1815
 Q3,5,7 - 2SA1015

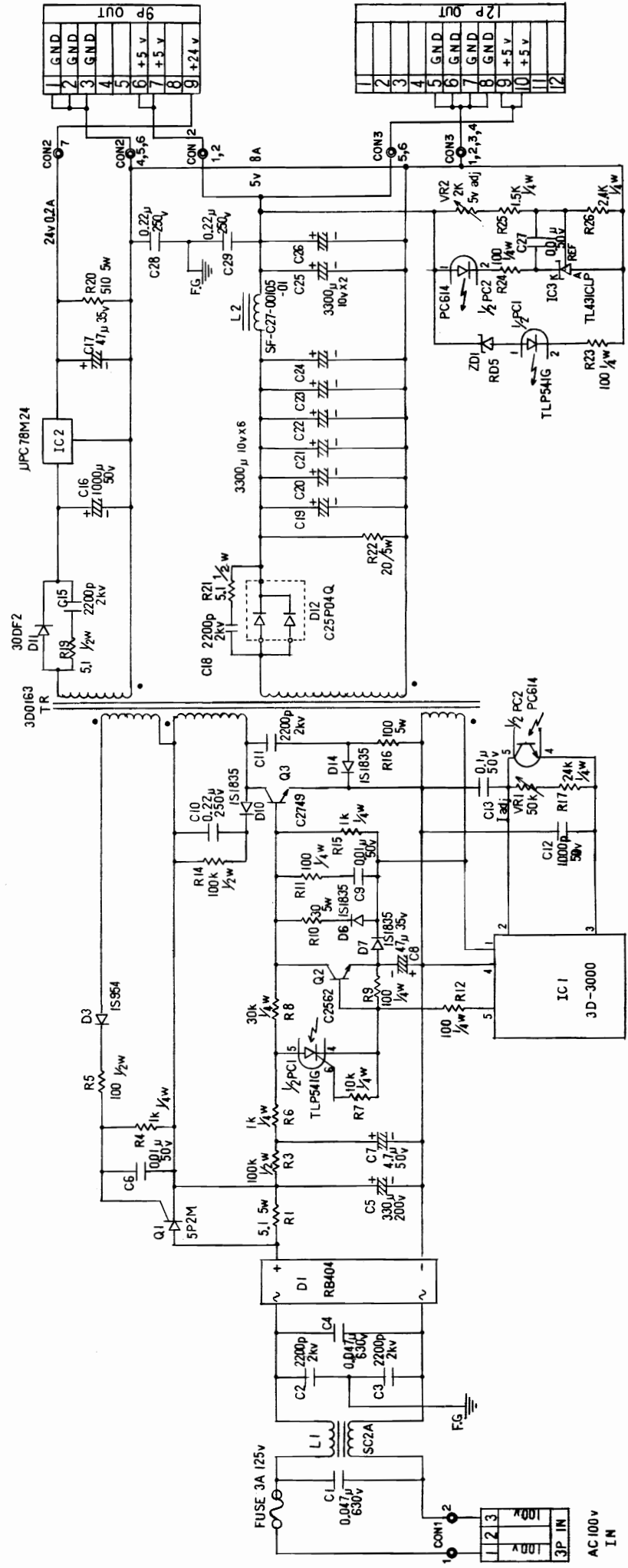




- <NOTE>
- 1) LM324 ... 11 pin GND
4 pin +12V
 - 2) ⊗ 4066 ... 7 pin GND
14 pin +12V
 - 3) ⊗ 4066 ... 7 pin GND
& LM3900 14 pin +5V

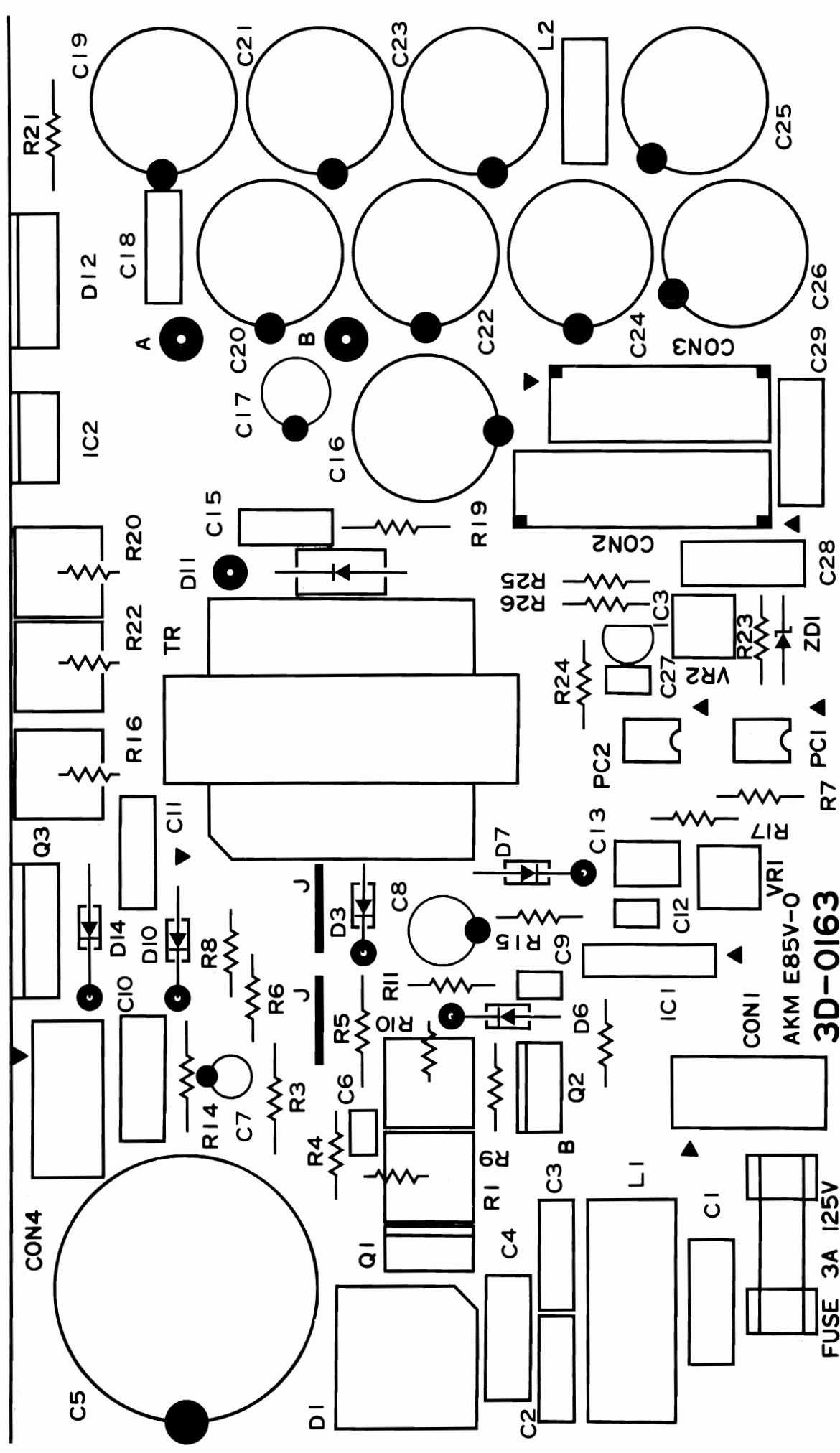


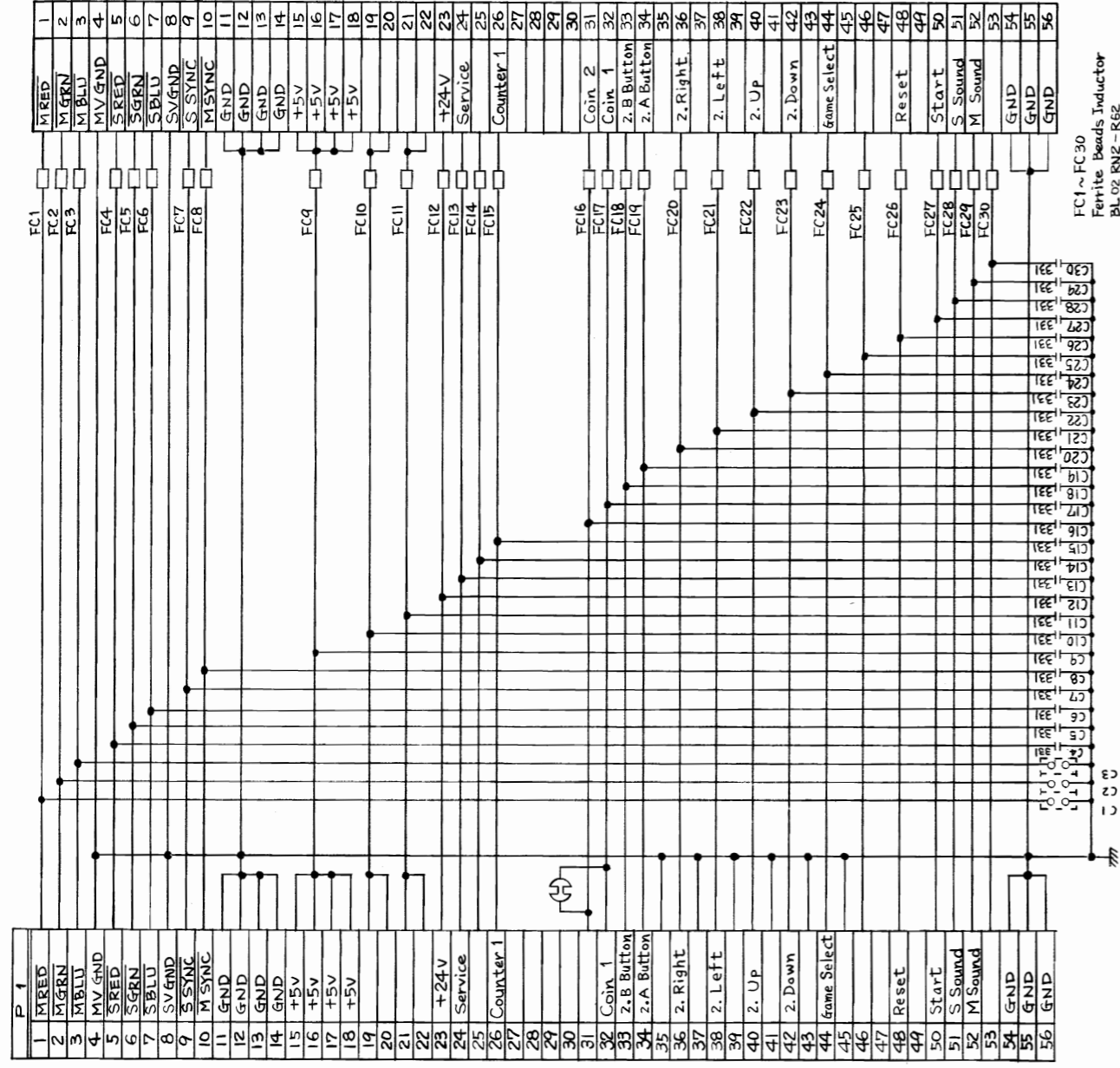




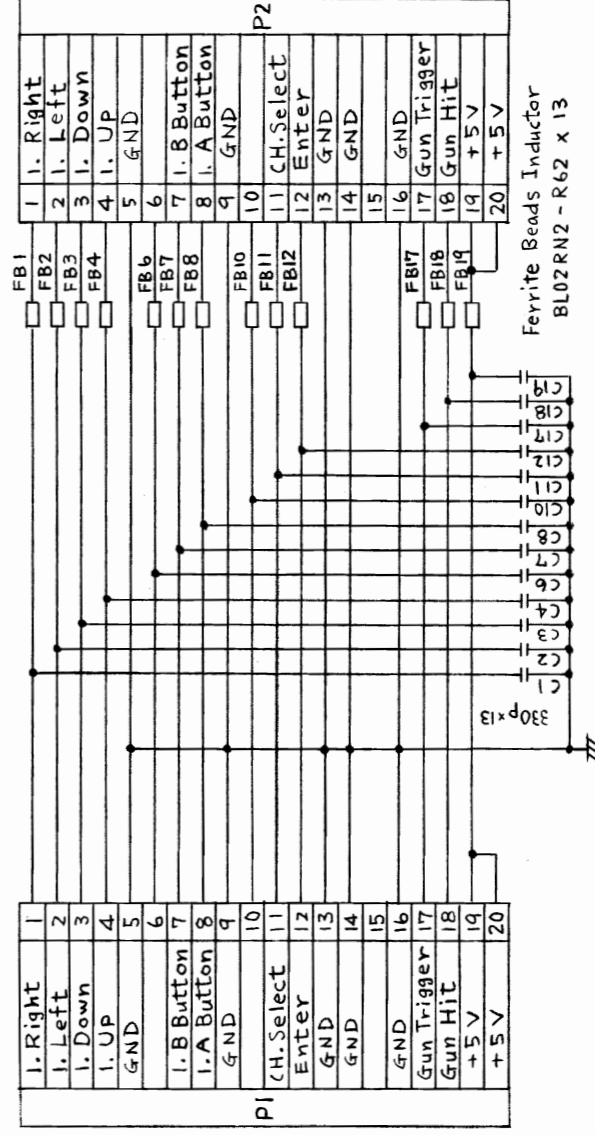
H PP-1000A POWER SUPPLY SCHEMATIC

© 1983 Nintendo of America Inc.



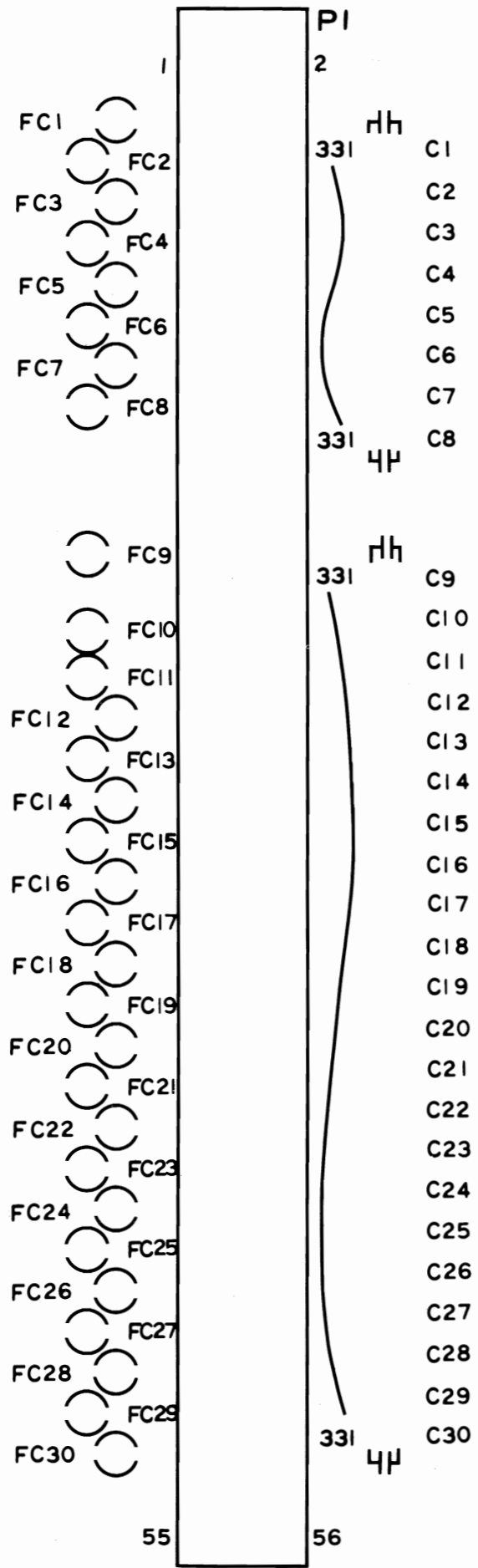


J 054-FCC SCHEMATIC
© 1983 Nintendo of America Inc.

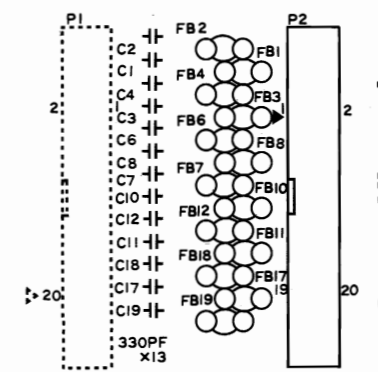


K 079-FCC SCHEMATIC
© 1986 Nintendo of America Inc.

1
7
13
19
25
31
37
43
49
55



L 054-FCC ASSEMBLY
© 1983 Nintendo of America Inc.



© 1986 Nintendo
MADE IN JAPAN
079-01-FCC

M 079-FCC ASSEMBLY
© 1986 Nintendo of America Inc.

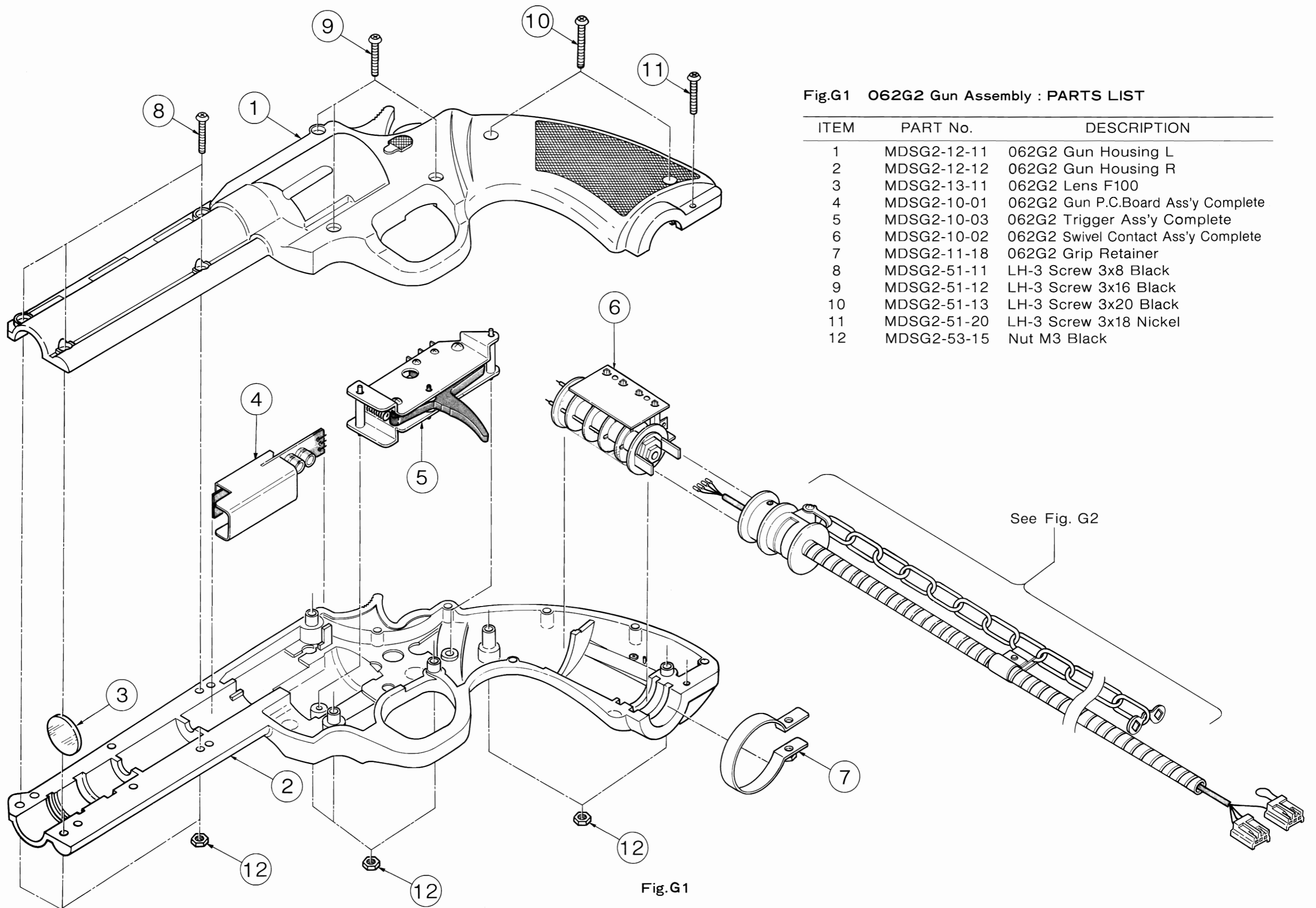


Fig.G1 062G2 Gun Assembly : PARTS LIST

ITEM	PART No.	DESCRIPTION
1	MDSG2-12-11	062G2 Gun Housing L
2	MDSG2-12-12	062G2 Gun Housing R
3	MDSG2-13-11	062G2 Lens F100
4	MDSG2-10-01	062G2 Gun P.C.Board Ass'y Complete
5	MDSG2-10-03	062G2 Trigger Ass'y Complete
6	MDSG2-10-02	062G2 Swivel Contact Ass'y Complete
7	MDSG2-11-18	062G2 Grip Retainer
8	MDSG2-51-11	LH-3 Screw 3x8 Black
9	MDSG2-51-12	LH-3 Screw 3x16 Black
10	MDSG2-51-13	LH-3 Screw 3x20 Black
11	MDSG2-51-20	LH-3 Screw 3x18 Nickel
12	MDSG2-53-15	Nut M3 Black

Fig.G1

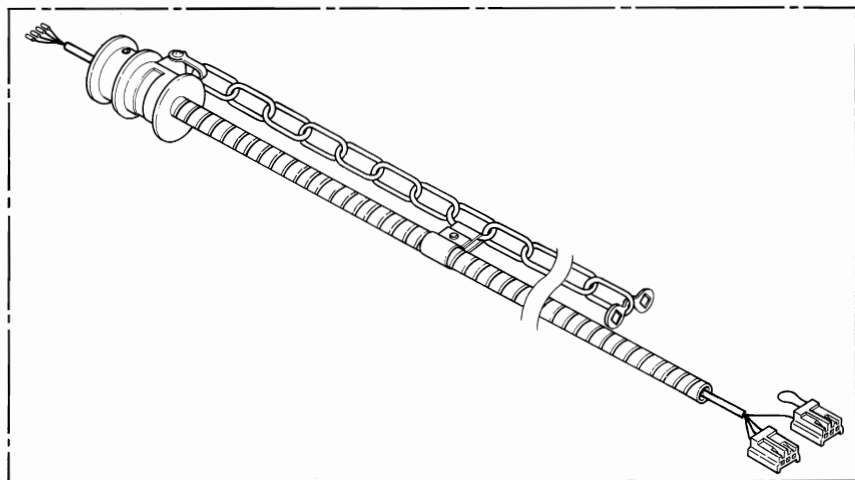


Fig.G2

ITEM	PART No.	DESCRIPTION
1	MDSG-11-16	062 Chain Frame Collar 4D
2	MDSG2-11-21	062G2 Chain Frame
3	MDSG2-11-17	062G2 Gun Chain Hook G
4	MDSG2-11-20	062G2 Chain 900L
5	MDSG2-11-11	062G2 Grip Swivel Frame
6	MDSG2-11-13	062G2 Cord Stop Collar 6.4D
7	MDSG2-53-14	Nut M3 Nickel
8	MDSG2-54-11	Washer M4.5
9	MDSG2-43-11	Double Sided Adhesive Tape
10	MDSG-11-24	062 Gun Flexible Cable 1000L
11	MDSG2-11-19	062G2 Chain Ring Frame
12	MDSG2-41-11	062G2 Gun Harness 4C-1600L
13	MDSG2-51-15	LH-3 Screw 3x10 Nickel
14	MDSG2-51-16	Set Screw 4x10
15	MDSG2-51-17	Set Screw 4x6
16	MDSG2-51-14	LH-3 Screw 3x6 Nickel
17	MDSG2-53-12	Flange Nut M3 Nickel
18	MDSG2-63-13	062 Gun Chain Hook C

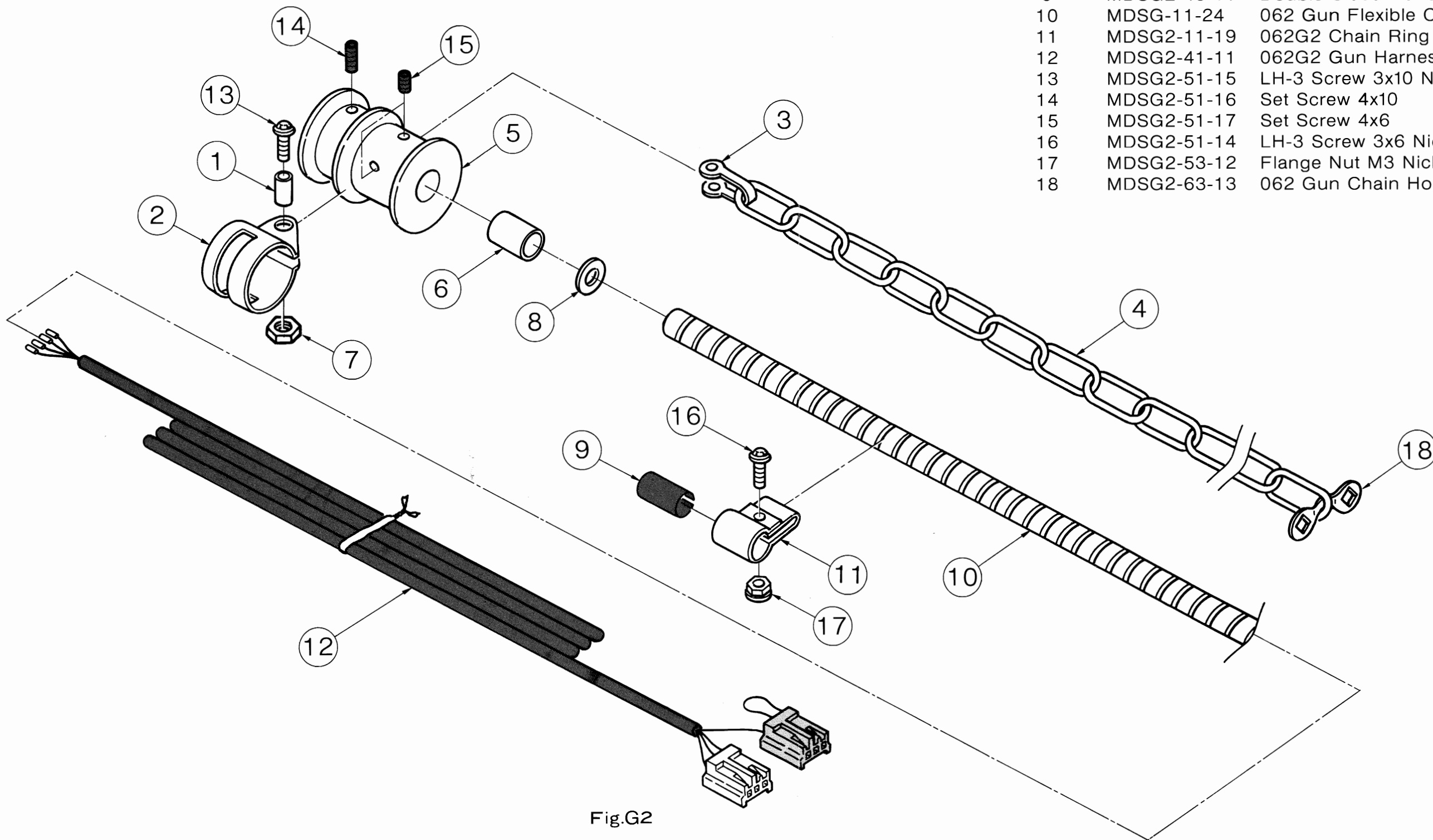
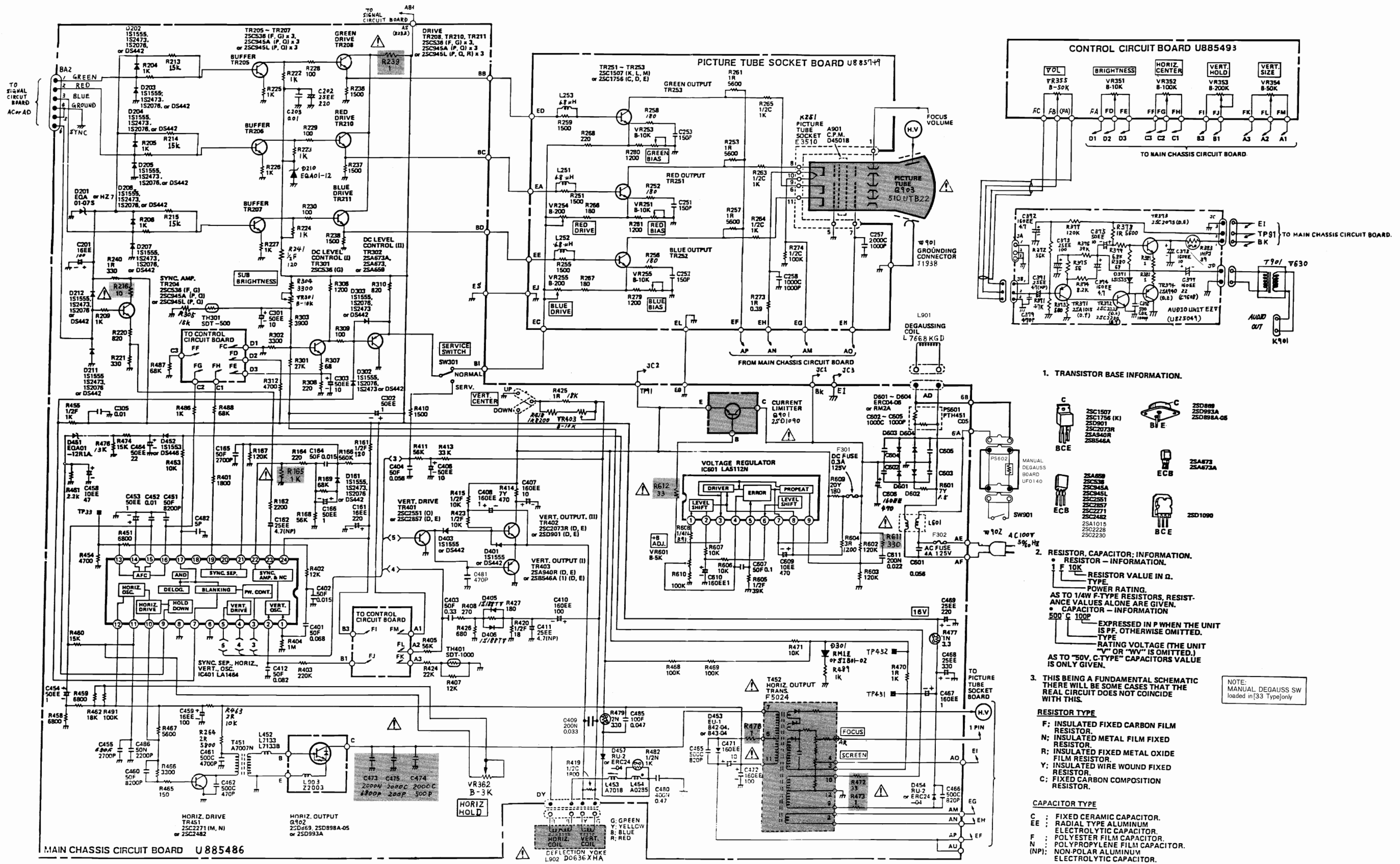
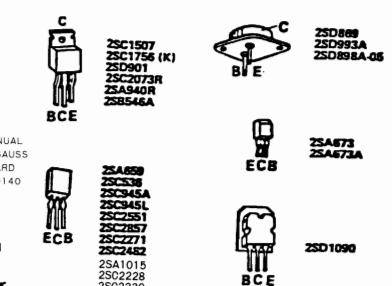


Fig.G2



1. TRANSISTOR BASE INFORMATION.



2. RESISTOR CAPACITOR INFORMATION.

RESISTOR - INFORMATION.
 F 10K
 RESISTOR VALUE IN Ω.
 TYPE.
 AS TO 1/4W F-TYPE RESISTORS, RESISTANCE VALUES ALONE ARE GIVEN.
 CAPACITOR - INFORMATION
 500 C 100P
 EXPRESSED IN P WHEN THE UNIT IS PF. OTHERWISE OMITTED.
 RATING VOLTAGE (THE UNIT "V" OR "WV" IS OMITTED.)
 AS TO "50V, C-TYPE" CAPACITORS VALUE IS ONLY GIVEN.

3. THIS BEING A FUNDAMENTAL SCHEMATIC THERE WILL BE SOME CASES THAT THE REAL CIRCUIT DOES NOT COINCIDE WITH THIS.

NOTE: MANUAL DEGAUSS SW loaded in [33 Type] only

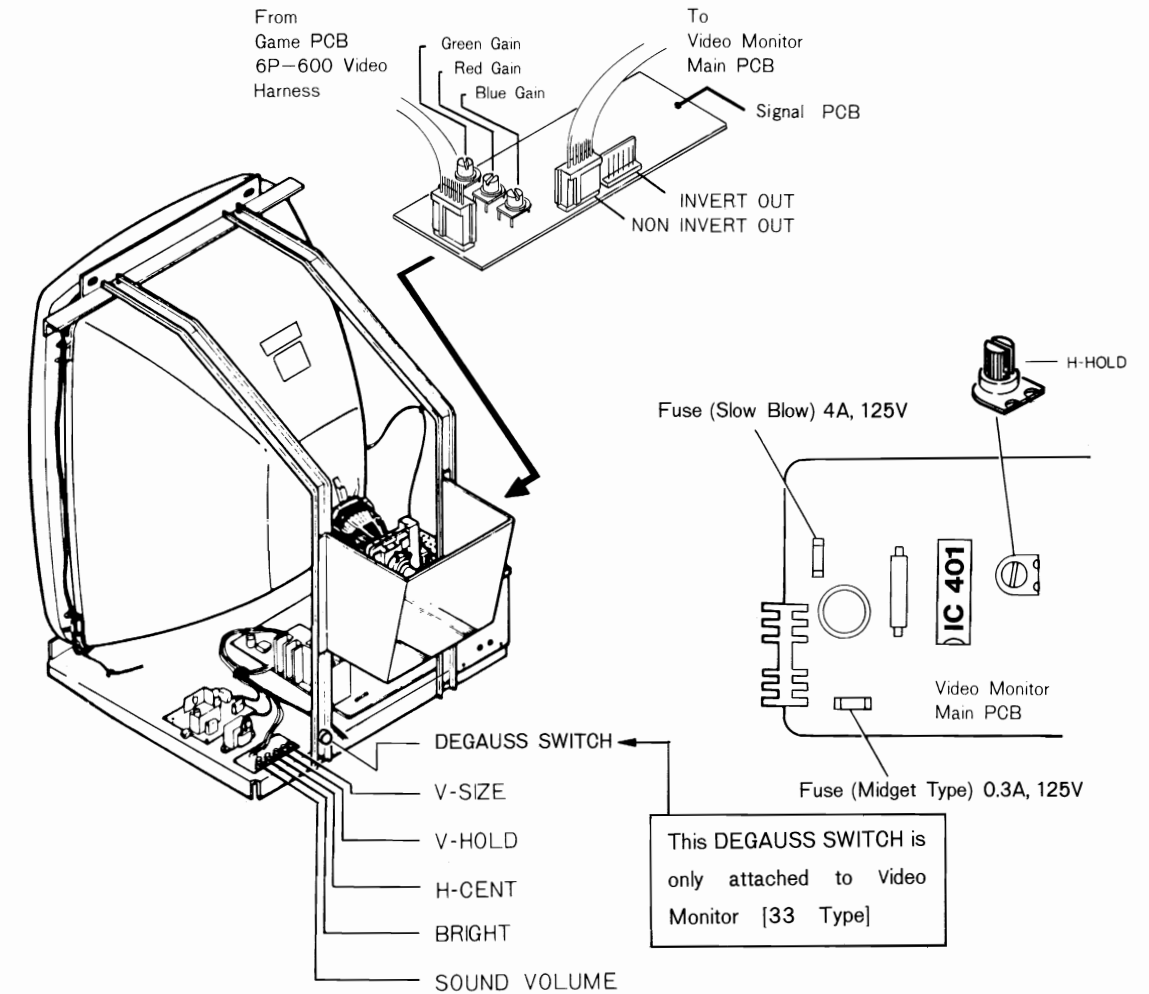
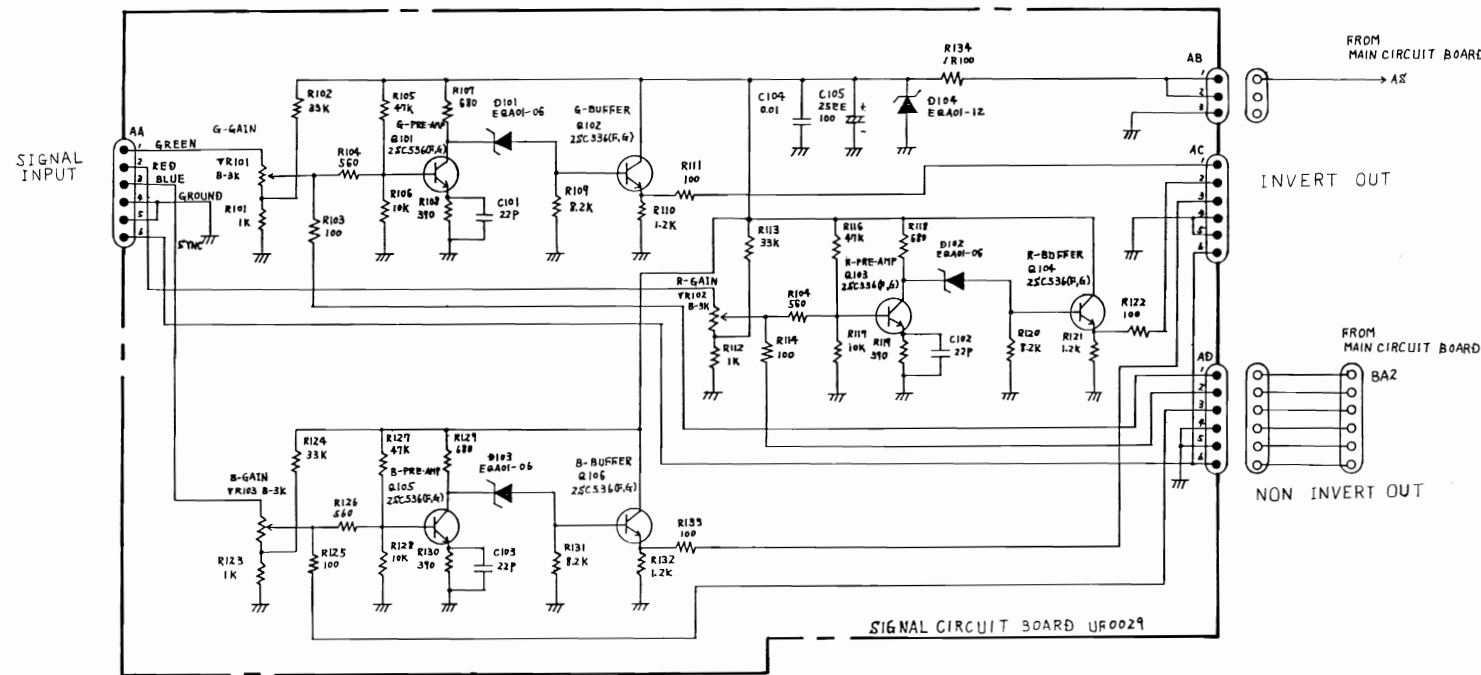
RESISTOR TYPE

F: INSULATED FIXED CARBON FILM RESISTOR.
 N: INSULATED METAL FILM FIXED RESISTOR.
 R: INSULATED FIXED METAL OXIDE FILM RESISTOR.
 Y: INSULATED WIRE WOUND FIXED RESISTOR.
 C: FIXED CARBON COMPOSITION RESISTOR.

CAPACITOR TYPE

C: FIXED CERAMIC CAPACITOR.
 E: RADIAL TYPE ALUMINUM ELECTROLYTIC CAPACITOR.
 F: POLYESTER FILM CAPACITOR.
 N: POLYPROPYLENE FILM CAPACITOR.
 (NP): NON-POLAR ALUMINUM ELECTROLYTIC CAPACITOR.

Adjustment of Video Monitor



WARNINGS

1. Service work should only be performed by a qualified service technician.
2. An isolation transformer must be used between the AC supply and the AC plug of the monitor before servicing or testing is performed since the chassis and the heat-sink are directly connected to one side of the AC line which could present a shock hazard.
Supply voltage of the video monitor : AC 90V - 110V
50/60 Hz
3. X-RAY RADIATION WARNING AND PRODUCT SAFETY NOTICE !
This video monitor contains circuits and components included specifically for safety purpose.
For continued protection, no changes should be made to original design, and components identified by shading and by (⚠) on schematic diagram should be replaced with exact factory replacement parts.
DO NOT degrade the safety of the set through improper servicing.

WARNING

The Video Monitor contains HIGH VOLTAGE capable of delivering LETHAL quantities of energy. TO AVOID DANGER TO LIFE, don't attempt to service the chassis until all precautions necessary for working on HIGH VOLTAGE equipment have been observed.

Adjustment of Video Monitor

Video Monitor : Type **XM-2001N**

WIRING DIAGRAM NOTES

* Since the wiring diagram shows the basic circuit configuration, a difference may exist according to the models.

Make "⚠" (■) indicates a critical safety component.

To avoid injury and to maintain the optimum performance, the specified components must be used when they are replaced.

Resistor/Capacitor Representation:

• Resistor

Unit: No indication Ω
 K $K\Omega$
 M $M\Omega$
 Tolerance: No indication $\pm 10\%$
 J $\pm 5\%$
 Power rating: No indication 1/4W

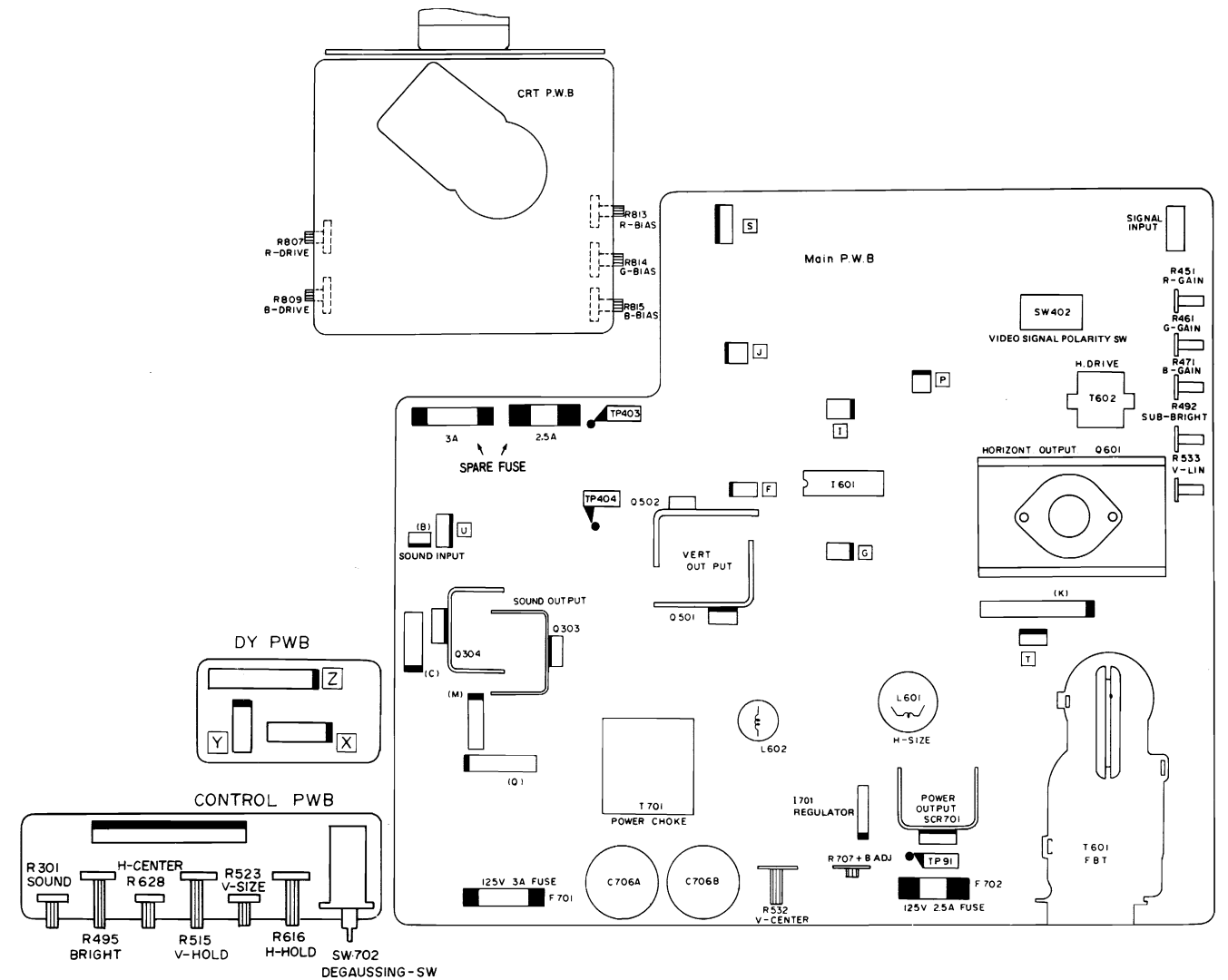
• Capacitor

Unit: No indication or μ μF
 P pF
 Rated voltage: No indication 50V

Some test points are without pins and they are indicated by a bracket ().

Resistor		Capacitor	
No indication	Carbon film resistor	No indication	Ceramic capacitor
(C)	Solid resistor	ML	Mylar capacitor
(S)	Metal oxide film resistor	PF	Polypropylene film capacitor
(N)	Metal film resistor	TA	Tantalum capacitor
(W)	Cement resistor	ST	Styrol capacitor
(T)	Special resistor		

CHASSIS LAYOUT

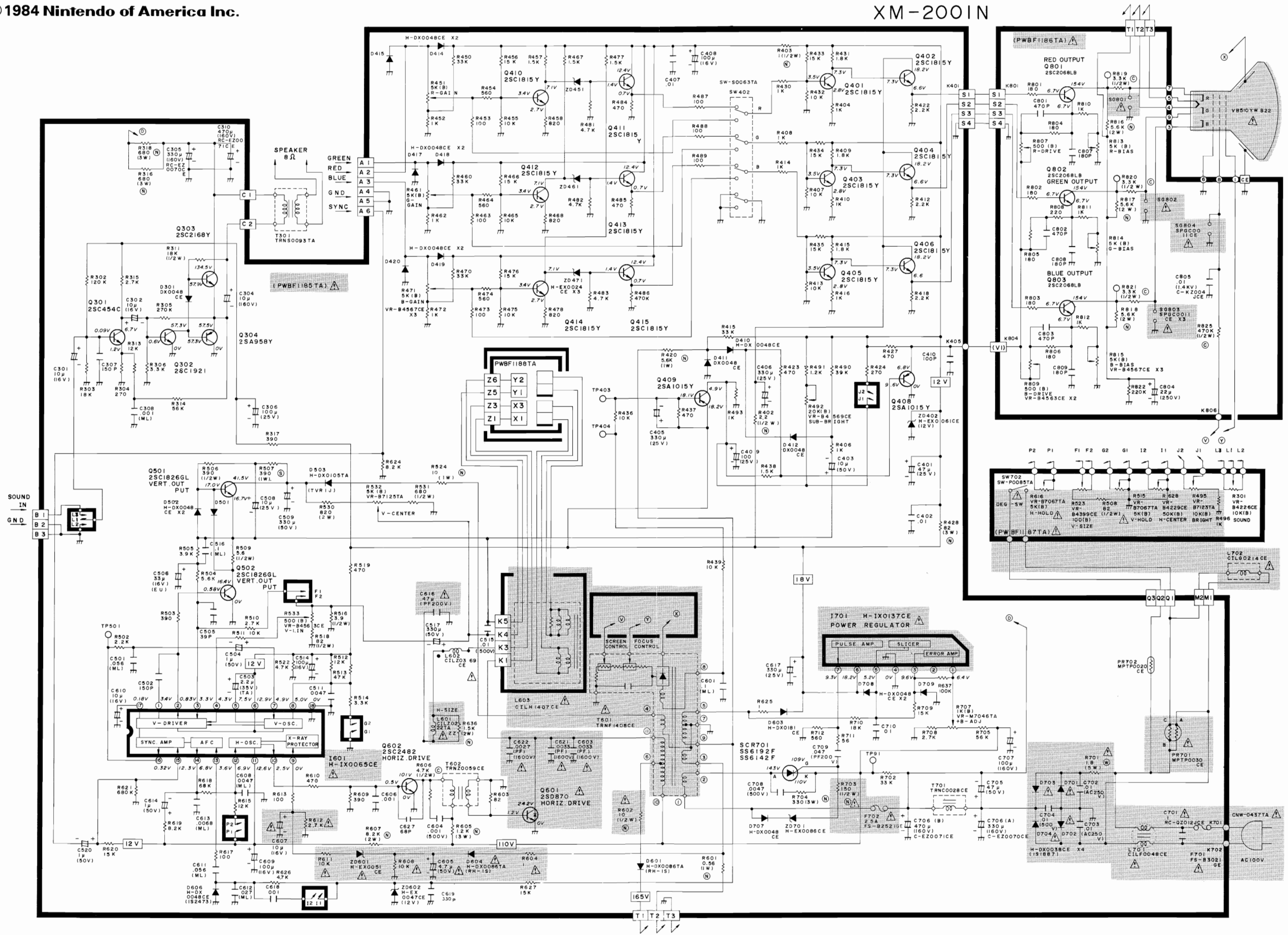


WARNINGS

- Service work should only be performed by a qualified service technician.
- An isolation transformer must be used between the AC supply and the AC plug of the monitor before servicing or testing is performed since the chassis and the heat-sink are directly connected to one side of the AC line which could present a shock hazard.
 Supply voltage of the video monitor : AC 90V - 110V
 50/60 Hz
- X-RAY RADIATION WARNING AND PRODUCT SAFETY NOTICE !**
 This video monitor contains circuits and components included specifically for safety purpose.
 For continued protection, no changes should be made to original design, and components identified by shading and by (⚠) on schematic diagram should be replaced with exact factory replacement parts.
 DO NOT degrade the safety of the set through improper servicing.

WARNING

The Video Monitor contains HIGH VOLTAGE capable of delivering LETHAL quantities of energy. TO AVOID DANGER TO LIFE, don't attempt to service the chassis until all precautions necessary for working on HIGH VOLTAGE equipment have been observed.



A
B
C
D
E
F
G
H