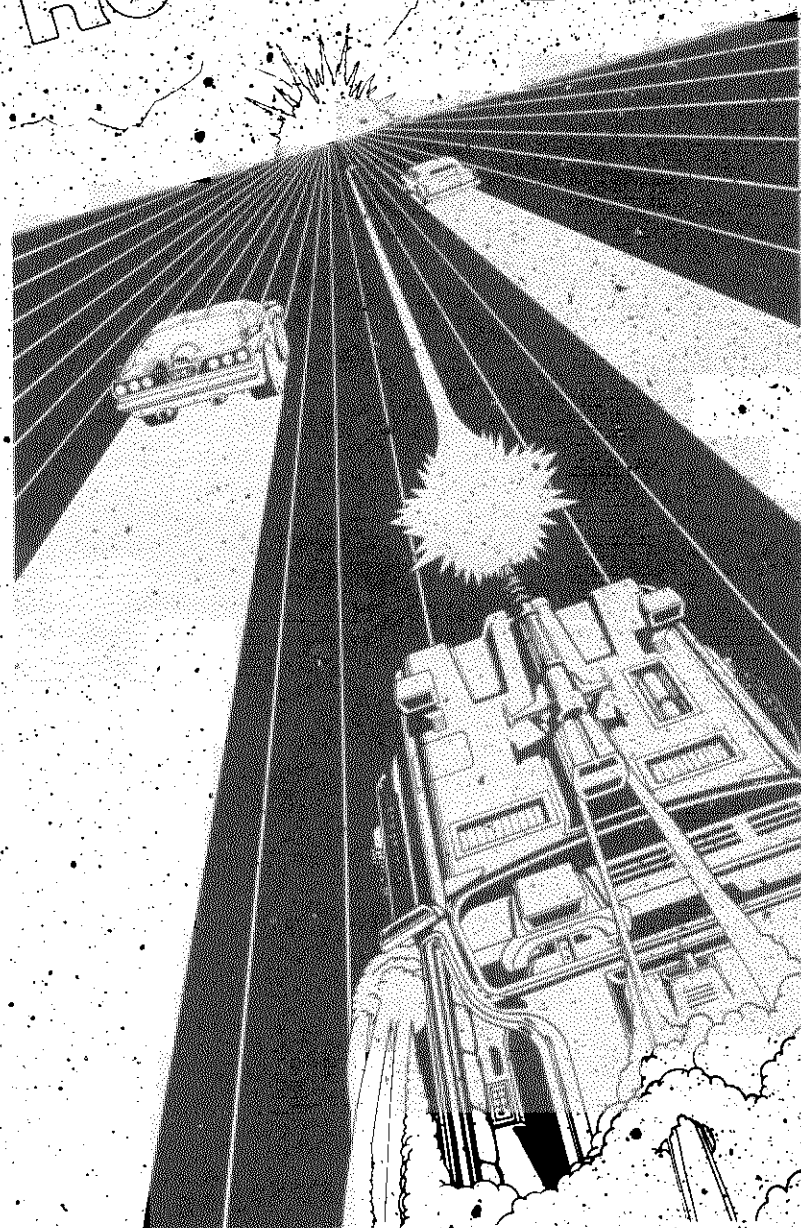


# Road Blasters Schematic Package

Supplement to the Operators Manual

For System I Game

# RoadBlasters



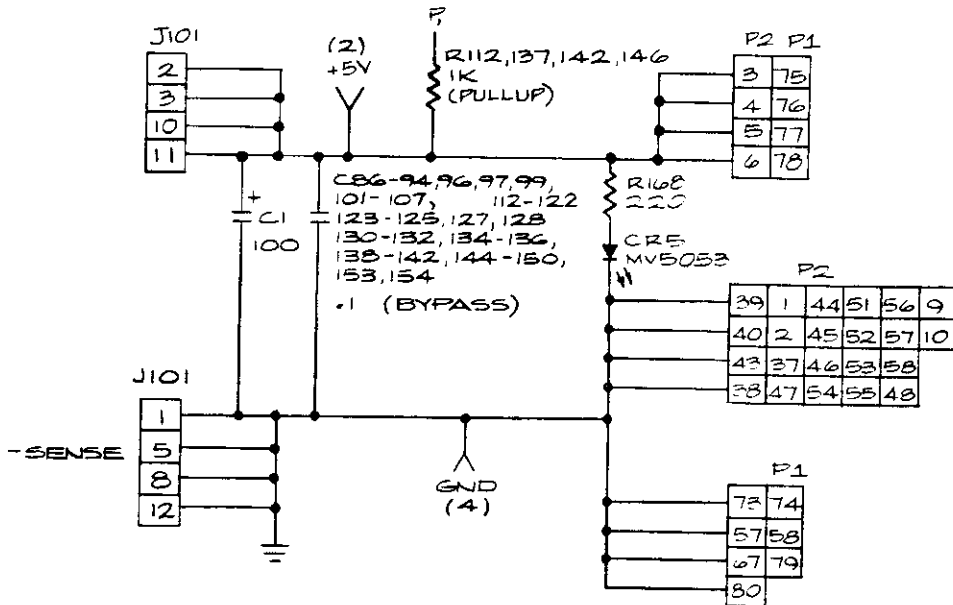
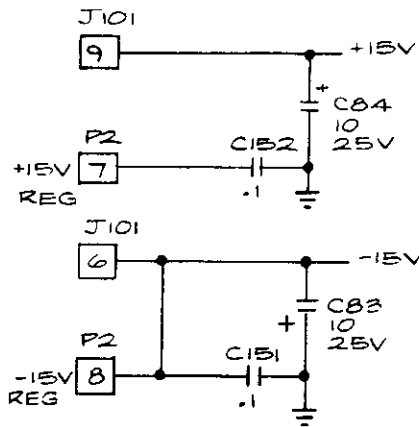
This staple temporarily holds the schematic package together. Remove the staple before using these schematics.



IC CHART

TYPE	VOLTAGE PIN NO			UNUSED GATES
	3V	5V	10V	
74LS00	7	14		
74LS02	7	14		
74LS02	7	14		
74LS04	7	14		
7407	7	14		
74LS08	7	14		
74S08	7	14		
74LS14	7	14		
74LS20	7	14		
74LS30	7	14		
74LS32	7	14		
74LS74	7	14		
74S74	7	14		
74LS86	7	14		
74LS125	7	14		
74LS138	8	16		
74LS139	8	16		
74LS148	8	16		
74LS151	8	16		
74S151	8	16		
74LS153	8	16		
74S163	8	16		
74LS163A	8	16		
74LS174	8	16		
74S174	8	16		
74S175	8	16		
74S189	8	16		
74LS191	8	16		
74LS194	8	16		
74LS197	7	14		
74S240	10	20		
74LS244	10	20		
74LS245	10	20		
74S257	8	16		
74LS259	8	16		
74S260	7	14		
74LS273	10	20		
74S273	10	20		
74LS283	8	16		
74LS367A	8	16		
74LS368A	8	16		
74LS373	10	20		
74LS374	10	20		
74S374	10	20		
74LS378	8	16		
LM324	11	6	4	
2149-3	9	18		
2149-2	9	18		
YM3012				
82S129	8	16		
82S153				
IMS1420	10	20		
6502A	1	21		
68010				
2764				
6116	12	24		
2312B				
LETA				
ADC0809				
2804				
QUAD PKEY				
Y2151				

VE



**NOTICE TO ALL PERSONS RECEIVING THIS DRAWING**

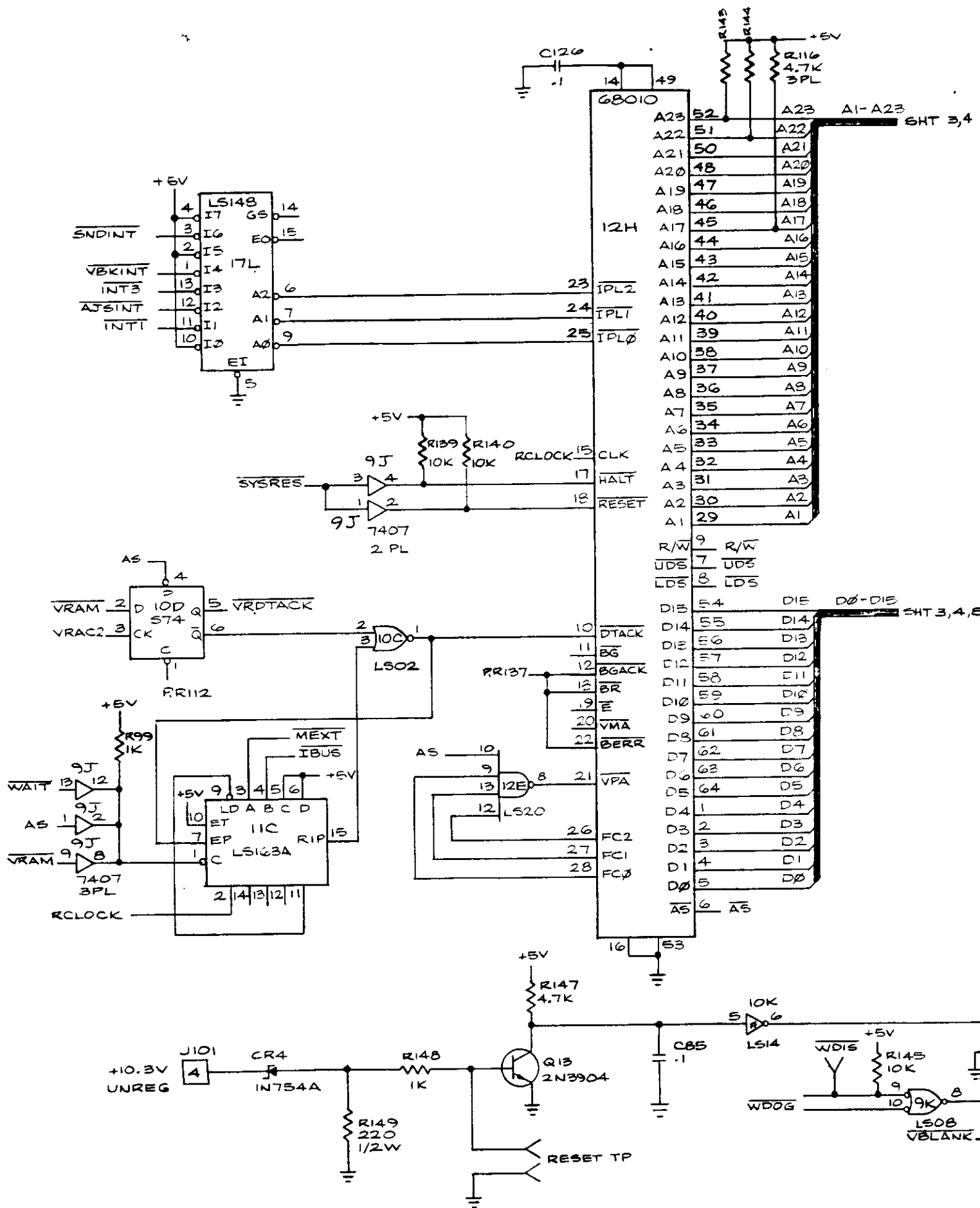
CONFIDENTIAL. Reproduction forbidden without the specific written permission of Atari Games Corporation, Milpitas, CA. This drawing is only conditionally issued, and neither receipt nor possession thereof confers or transfers any right in, or license to use, the subject matter of the drawing or any design or technical information shown thereon, nor any right to reproduce this drawing or any part thereof. Except for manufacture by vendors of Atari Games Corporation, and for manufacture under the corporation's written license, no right is granted to reproduce this drawing or the subject matter thereof, unless by written agreement with or written permission from the corporation.

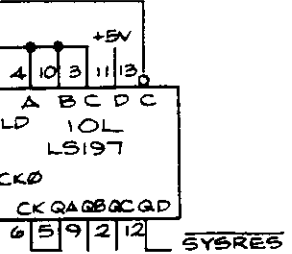
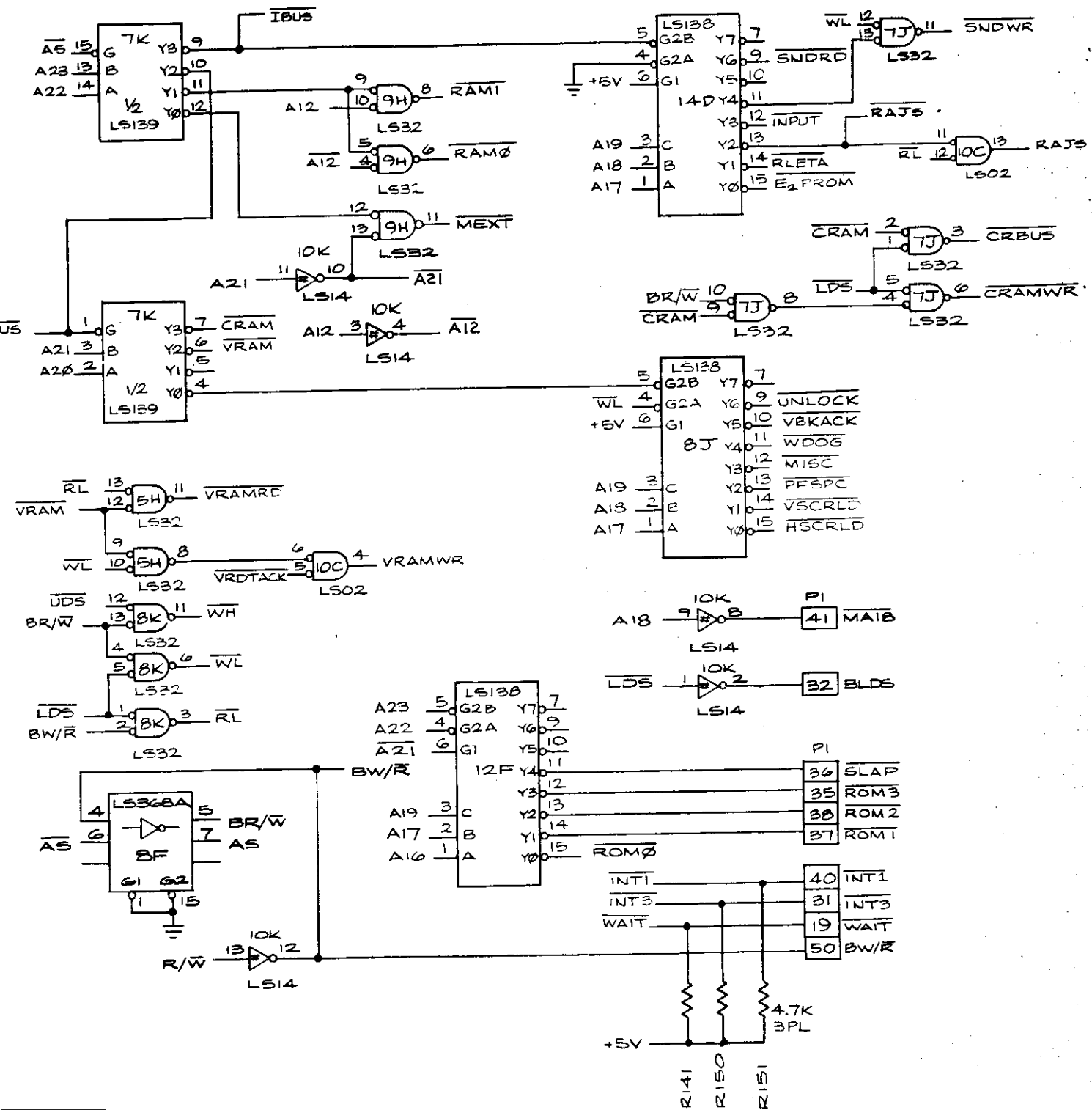


**Road Blasters™ /System I LSI Main  
PCB Schematic Diagram**

© 1987 Atari Games Corporation

SP-298 Sheet 1  
1st printing

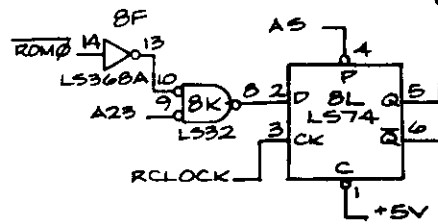
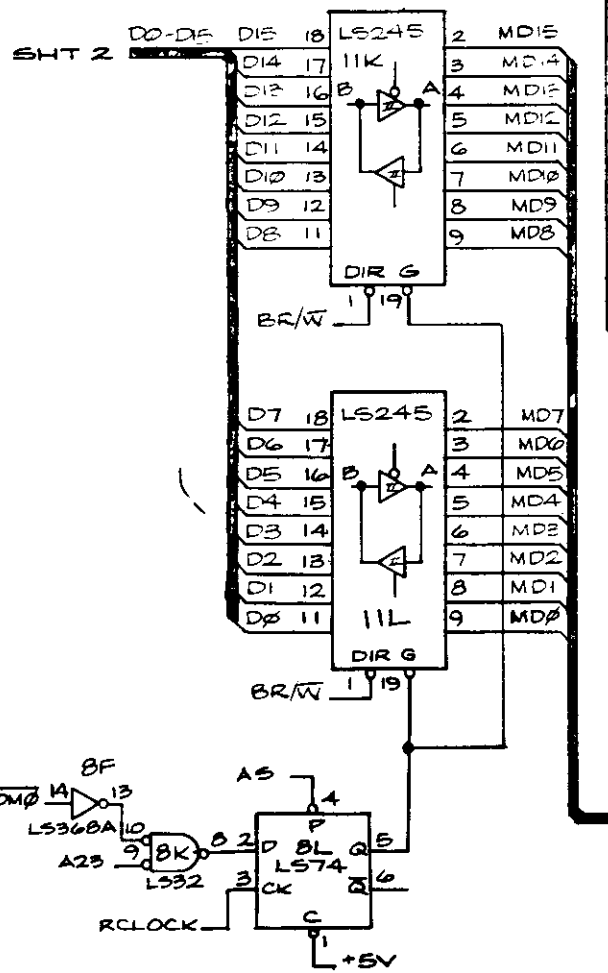
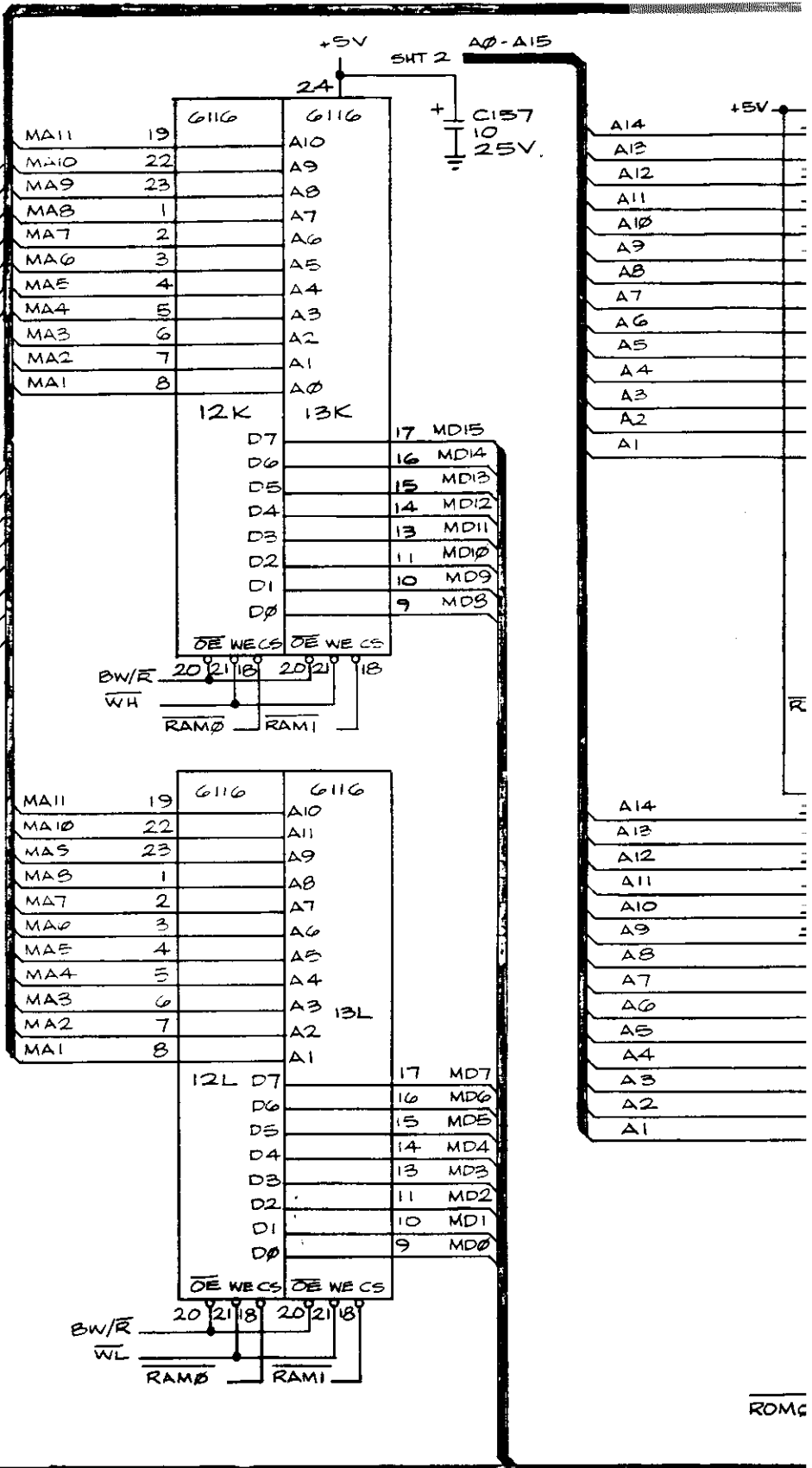
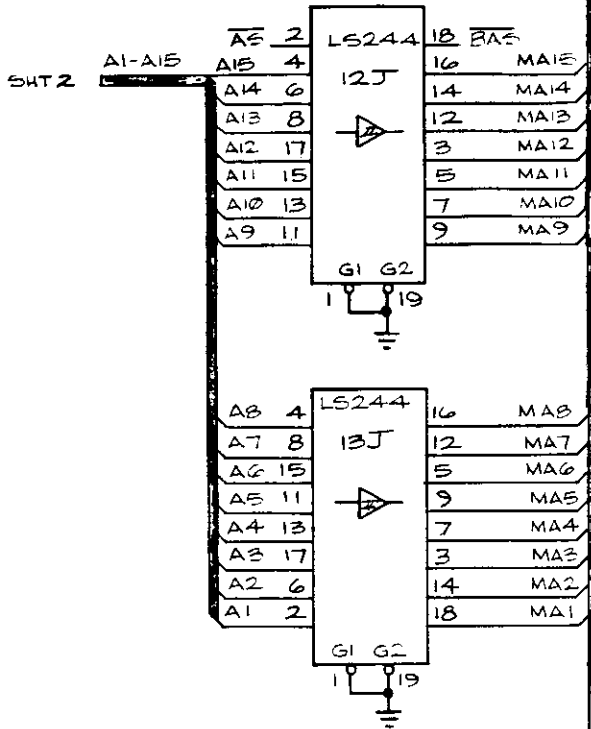


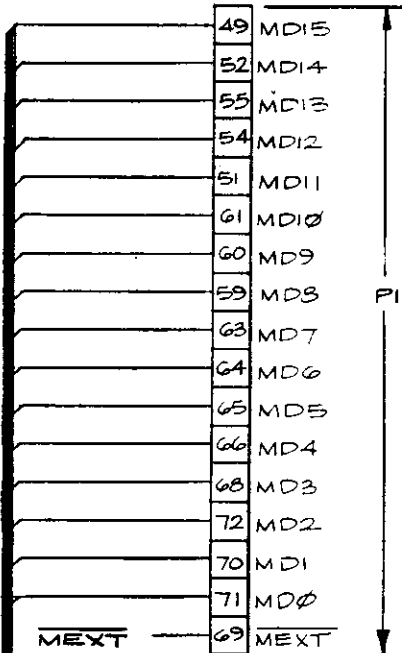
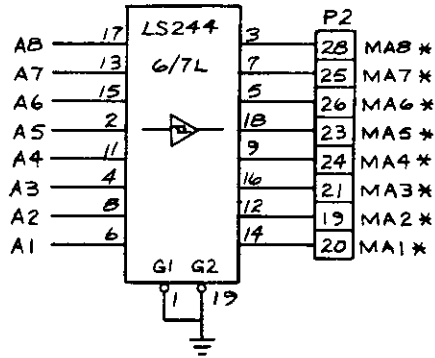
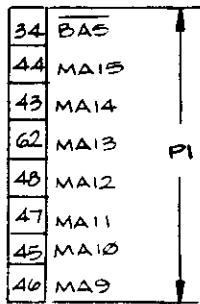
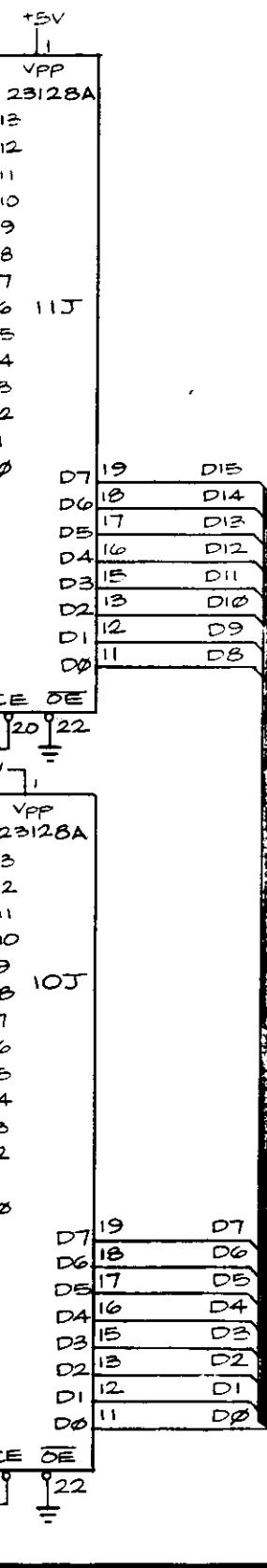


**NOTICE TO ALL PERSONS RECEIVING THIS DRAWING**  
 CONFIDENTIAL: Reproduction forbidden without the specific written permission of Atari Games Corporation, Milpitas, CA. This drawing is only conditionally issued, and neither receipt nor possession thereof confers or transfers any right in, or license to use, the subject matter of the drawing or any design or technical information shown thereon, nor any right to reproduce this drawing or any part thereof. Except for manufacture by vendors of Atari Games Corporation, and for manufacture under the corporation's written license, no right is granted to reproduce this drawing or the subject matter thereof, unless by written agreement with or written permission from the corporation.



**Road Blasters™ /System I LSI Main  
 PCB Schematic Diagram**





D0-D7 SHT 2

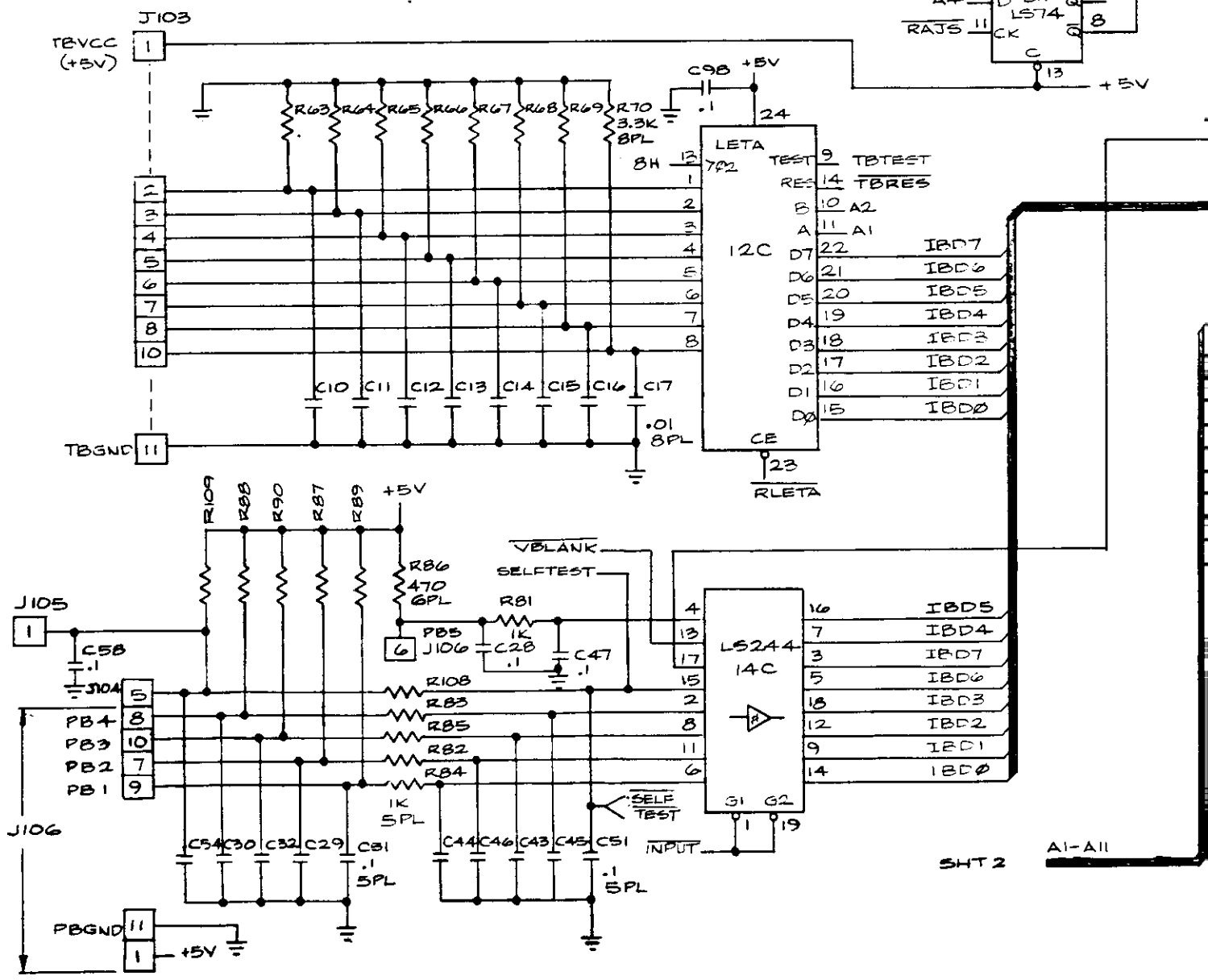
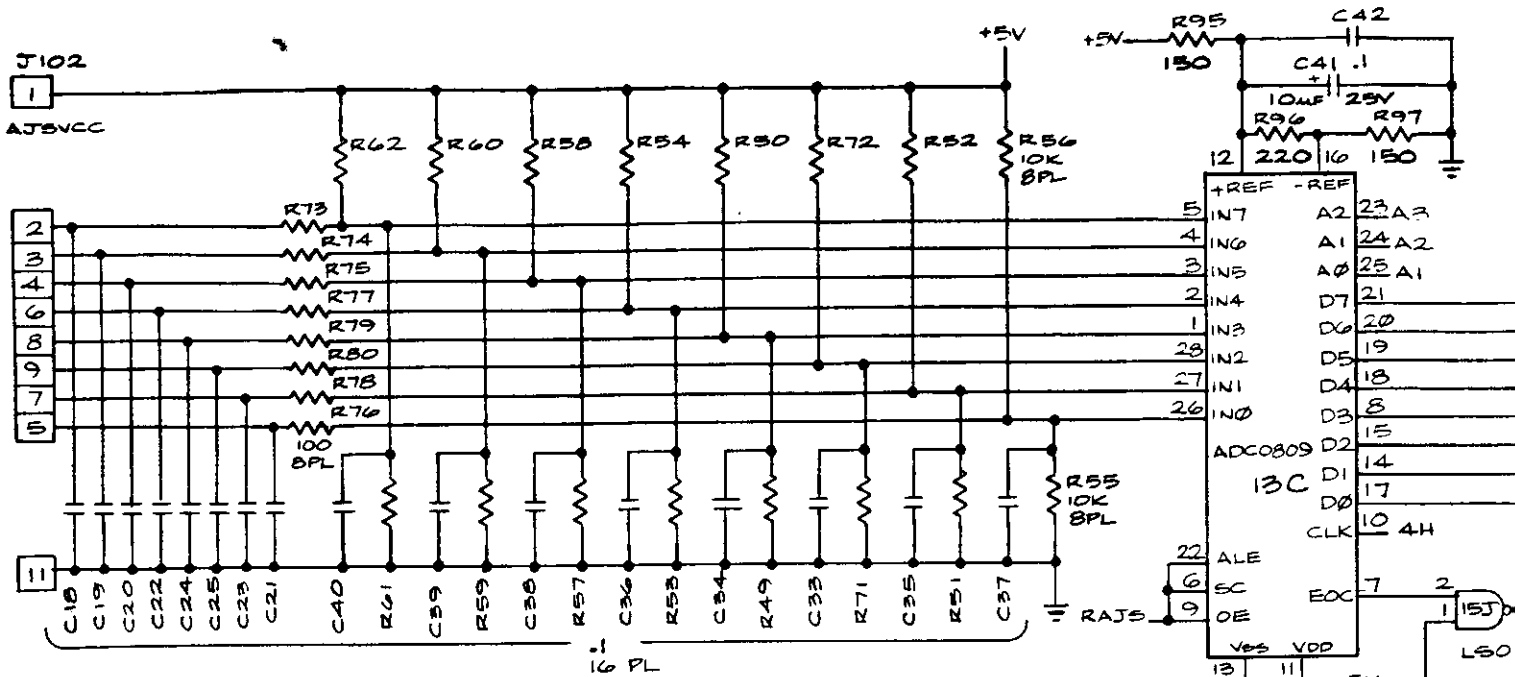
**NOTICE TO ALL PERSONS RECEIVING THIS DRAWING**  
 CONFIDENTIAL: Reproduction forbidden without the specific written permission of Atari Games Corporation, Milpitas, CA. This drawing is only conditionally issued, and neither receipt nor possession thereof confers or transfers any right in, or license to use, the subject matter of the drawing or any design or technical information shown thereon, nor any right to reproduce this drawing or any part thereof. Except for manufacture by vendors of Atari Games Corporation, and for manufacture under the corporation's written license, no right is granted to reproduce this drawing or the subject matter thereof, unless by written agreement with or written permission from the corporation.



**Road Blasters™ /System I LSI Main PCB Schematic Diagram**

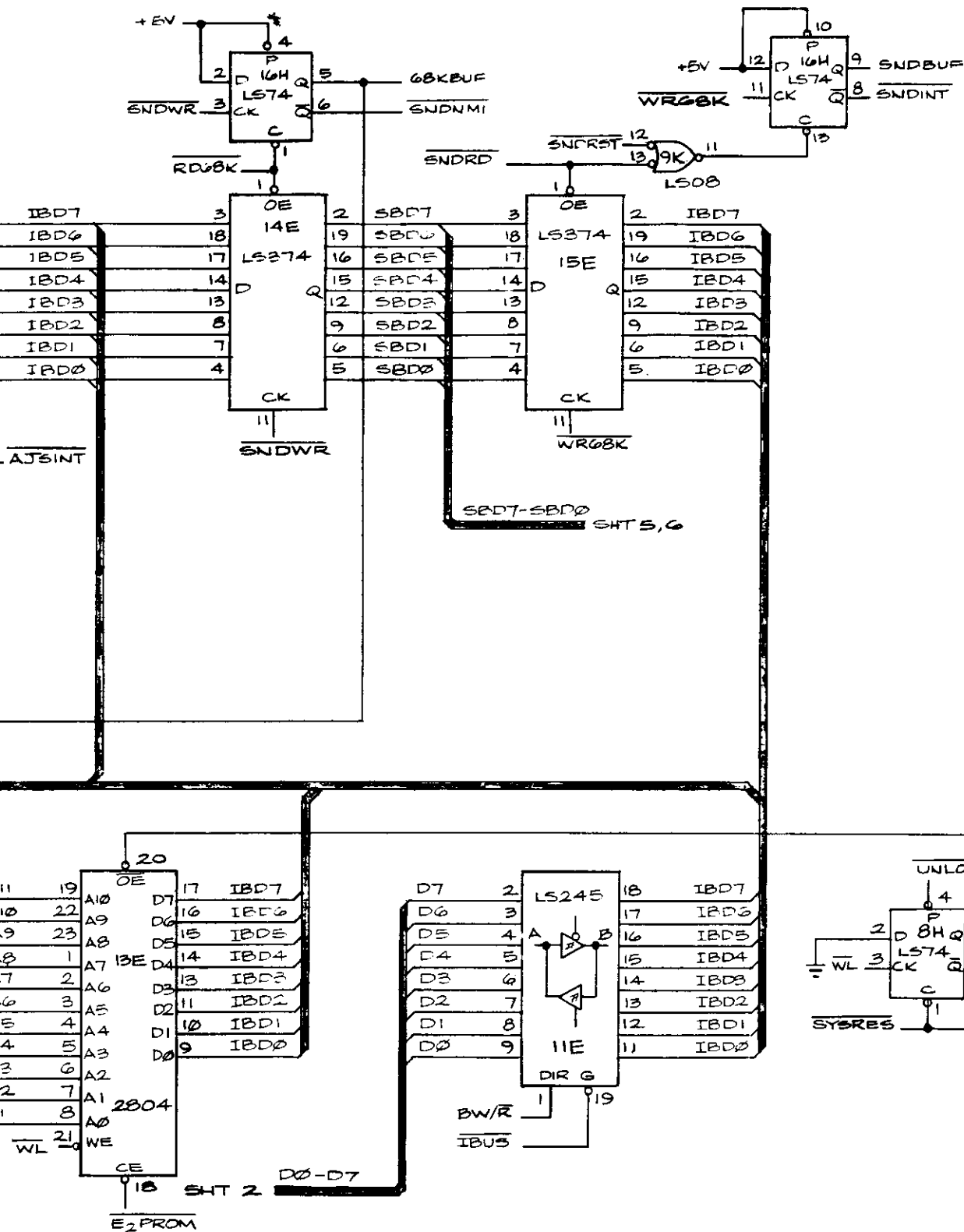
© 1987 Atari Games Corporation

**SP-298 Sheet 3 1st printing**



SHT 2 AI-A11





**NOTICE TO ALL PERSONS RECEIVING THIS DRAWING**

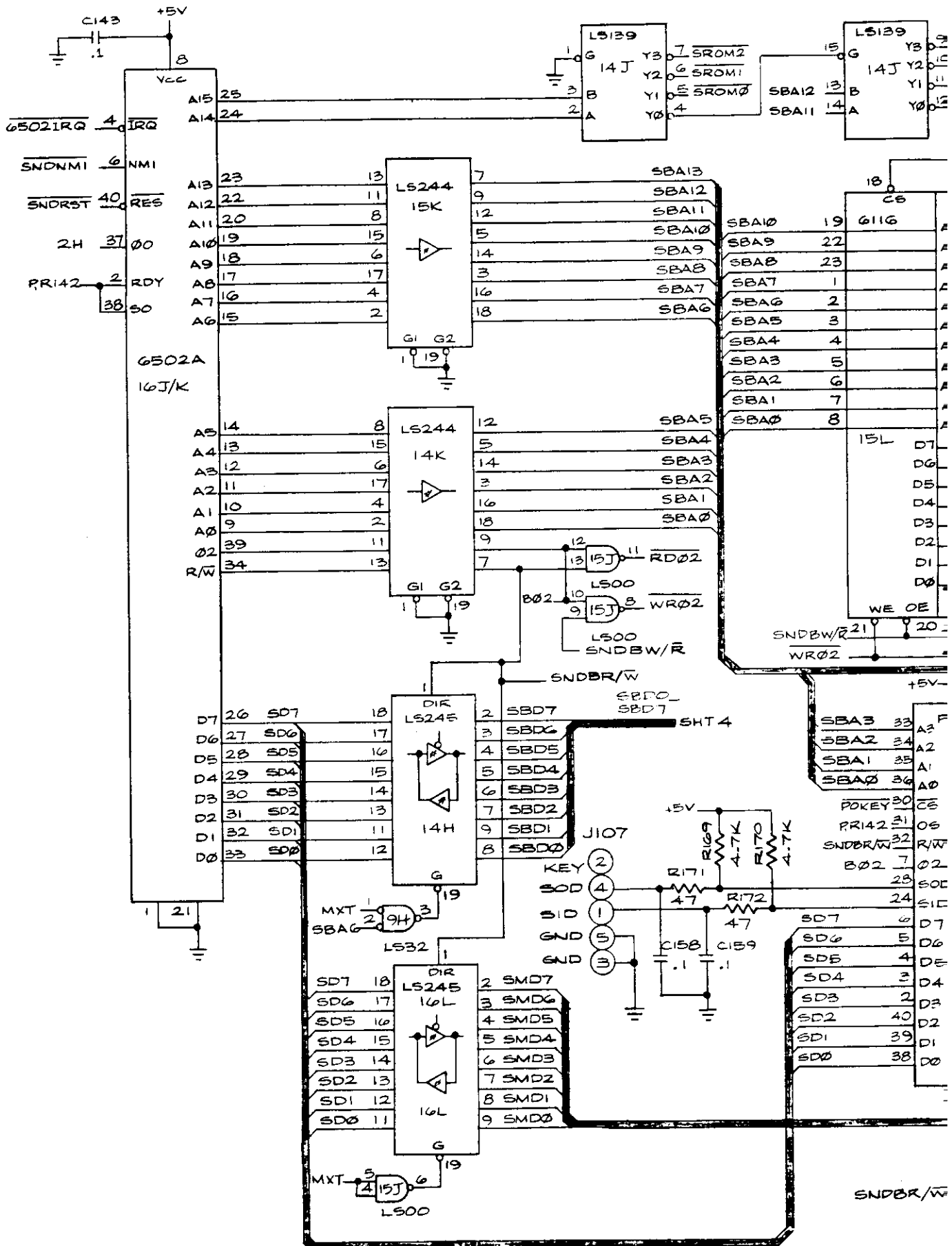
CONFIDENTIAL: Reproduction forbidden without the specific written permission of Atari Games Corporation, Milpitas, CA. This drawing is only conditionally issued, and neither does it confer or transfers any right in, or license to use, the subject matter of the drawing or any design or technical information shown thereon, nor any right to reproduce this drawing or any part thereof. Except for manufacture by vendors of Atari Games Corporation, and for manufacture under the corporation's written license, no right is granted to reproduce this drawing or the subject matter thereof, unless by written agreement with or written permission from the corporation.

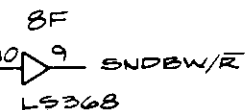
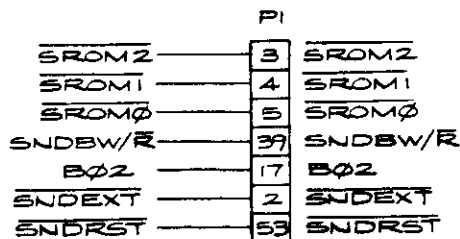
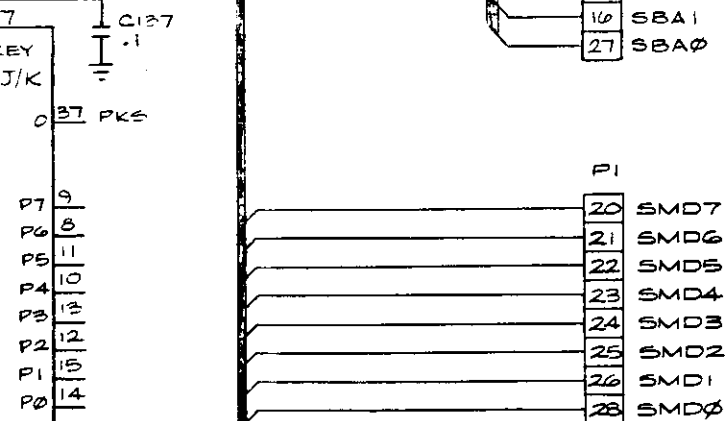
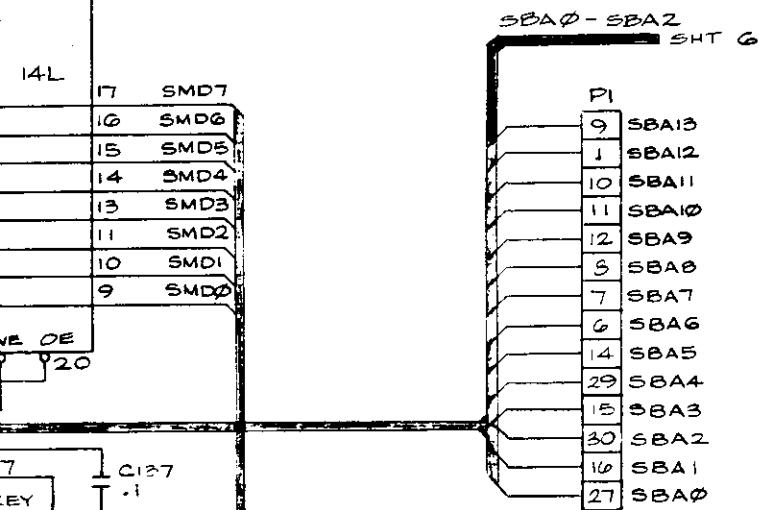
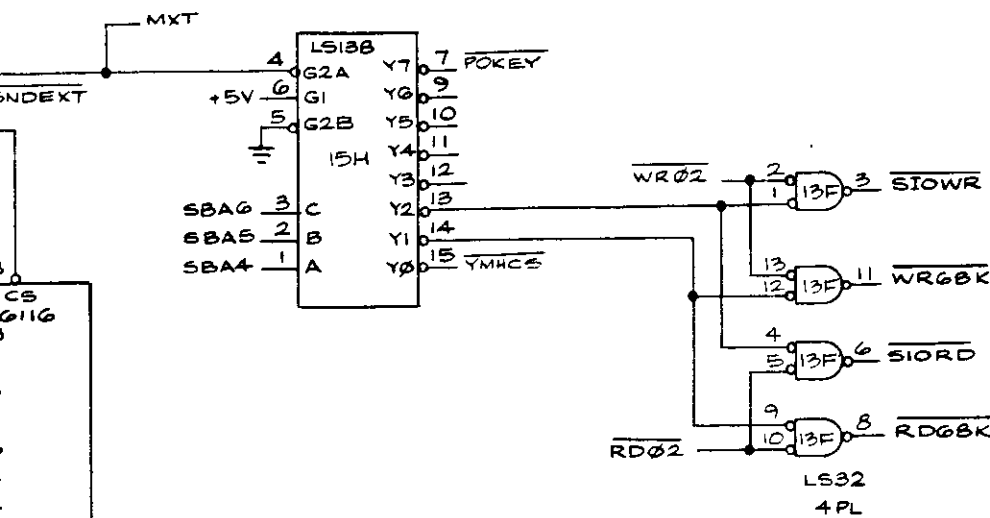


**Road Blasters™ /System I LSI Main PCB Schematic Diagram**

© 1987 Atari Games Corporation

SP-298 Sheet 4  
1st printing





**NOTICE TO ALL PERSONS RECEIVING THIS DRAWING**

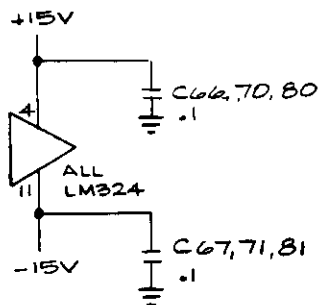
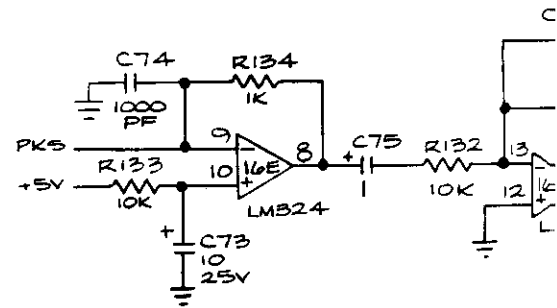
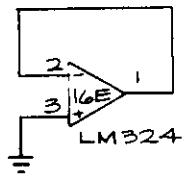
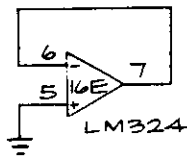
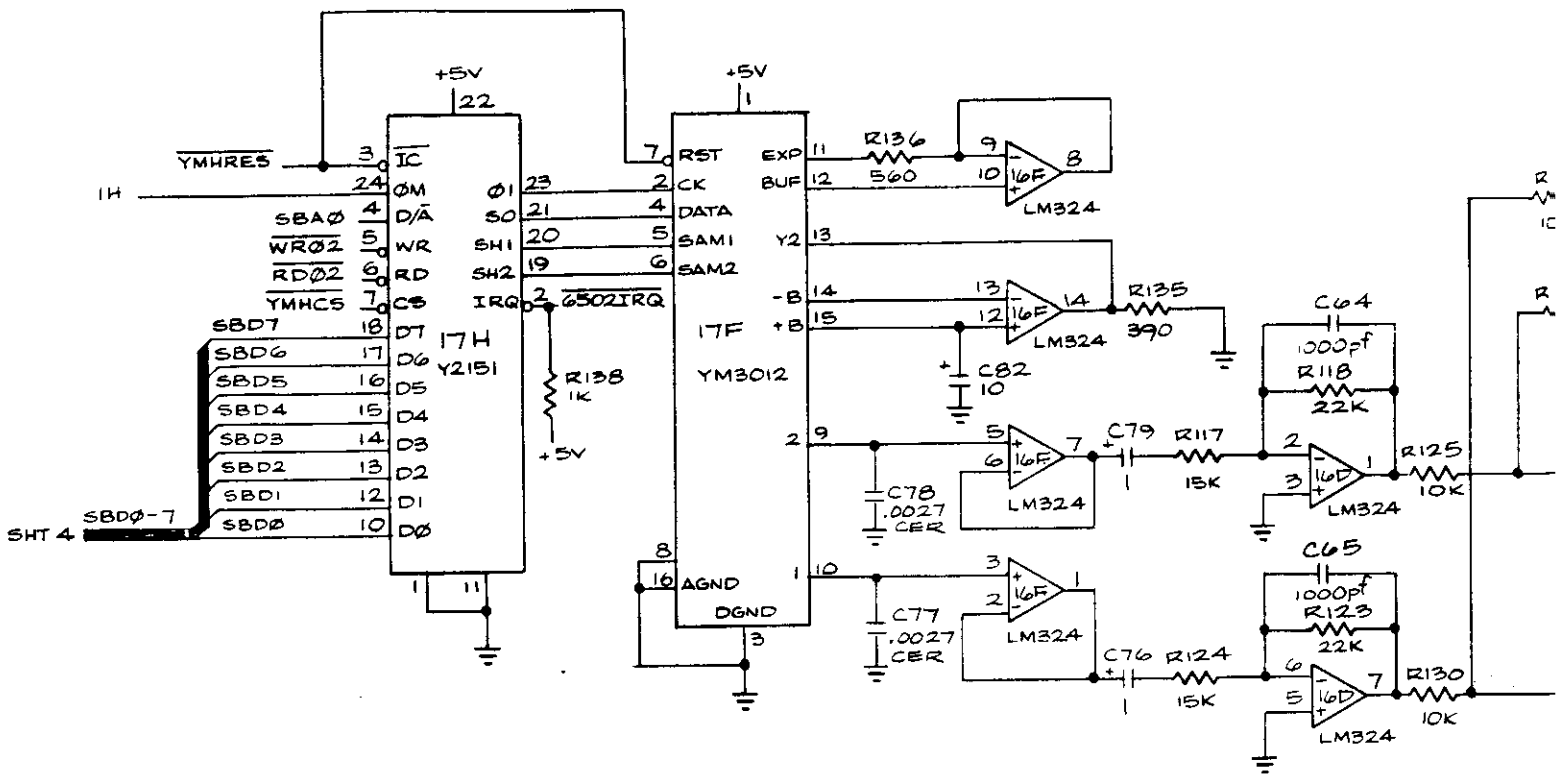
CONFIDENTIAL. Reproduction forbidden without the specific written permission of Atari Games Corporation, Milpitas, CA. This drawing is only conditionally issued, and neither receipt nor possession thereof confers or transfers any right in, or license to use, the subject matter of the drawing or any design or technical information shown thereon, nor any right to reproduce this drawing or any part thereof. Except for manufacture by vendors of Atari Games Corporation, and for manufacture under the corporation's written license, no right is granted to reproduce this drawing or the subject matter thereof, unless by written agreement with or written permission from the corporation.

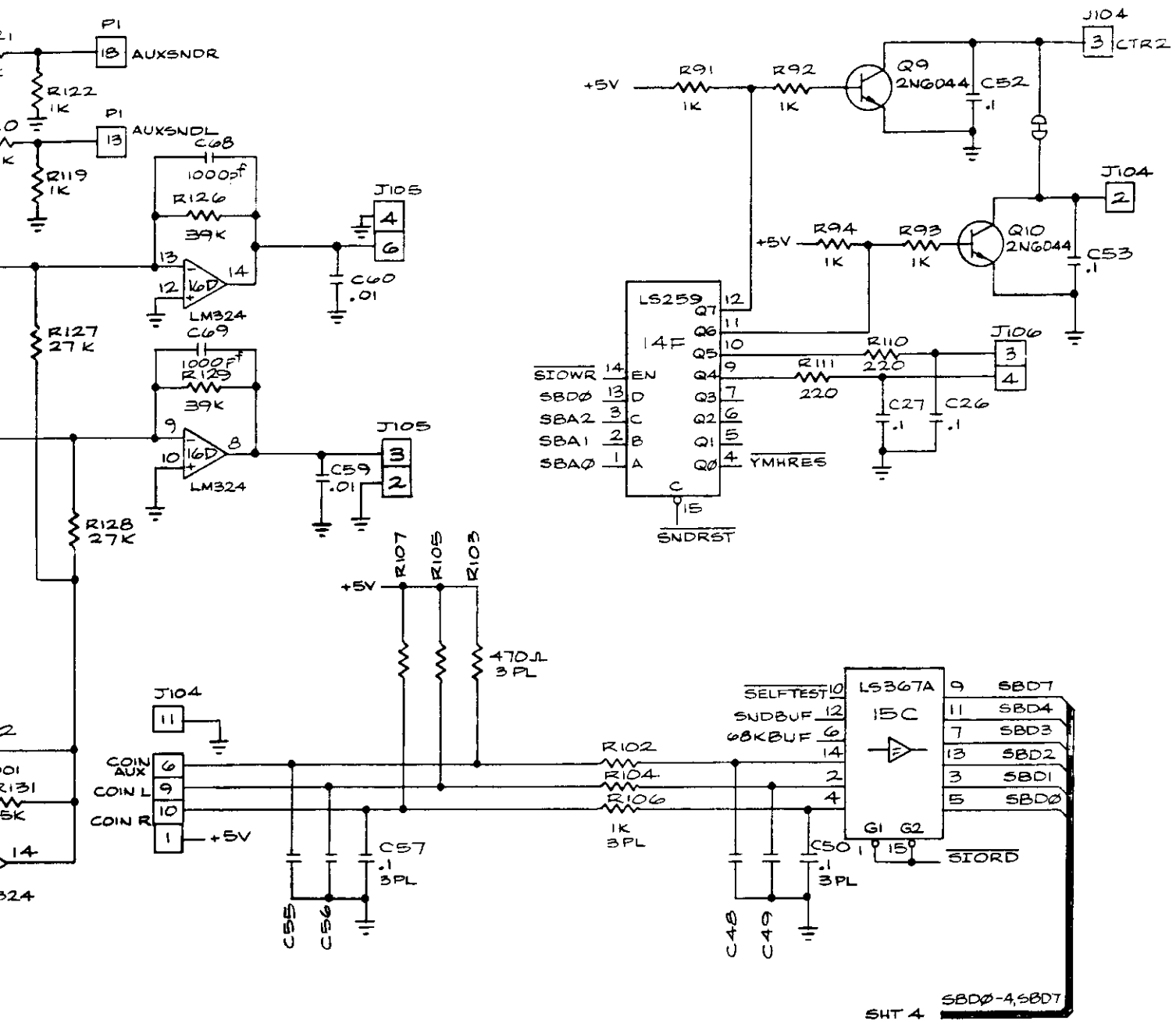


**Road Blasters™ /System I LSI Main PCB Schematic Diagram**

© 1987 Atari Games Corporation

SP-298 Sheet 5  
1st printing





**NOTICE TO ALL PERSONS  
RECEIVING THIS DRAWING**

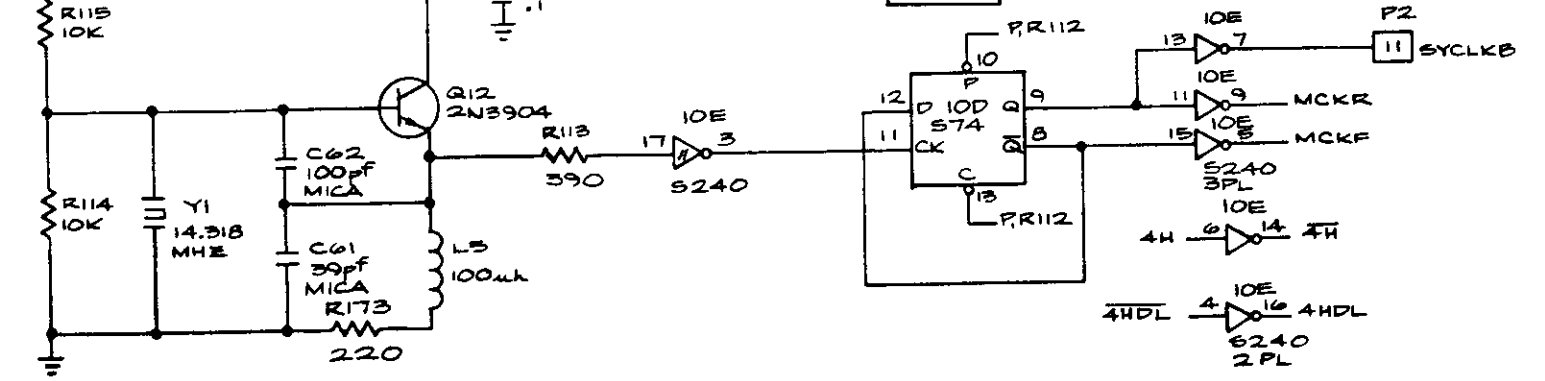
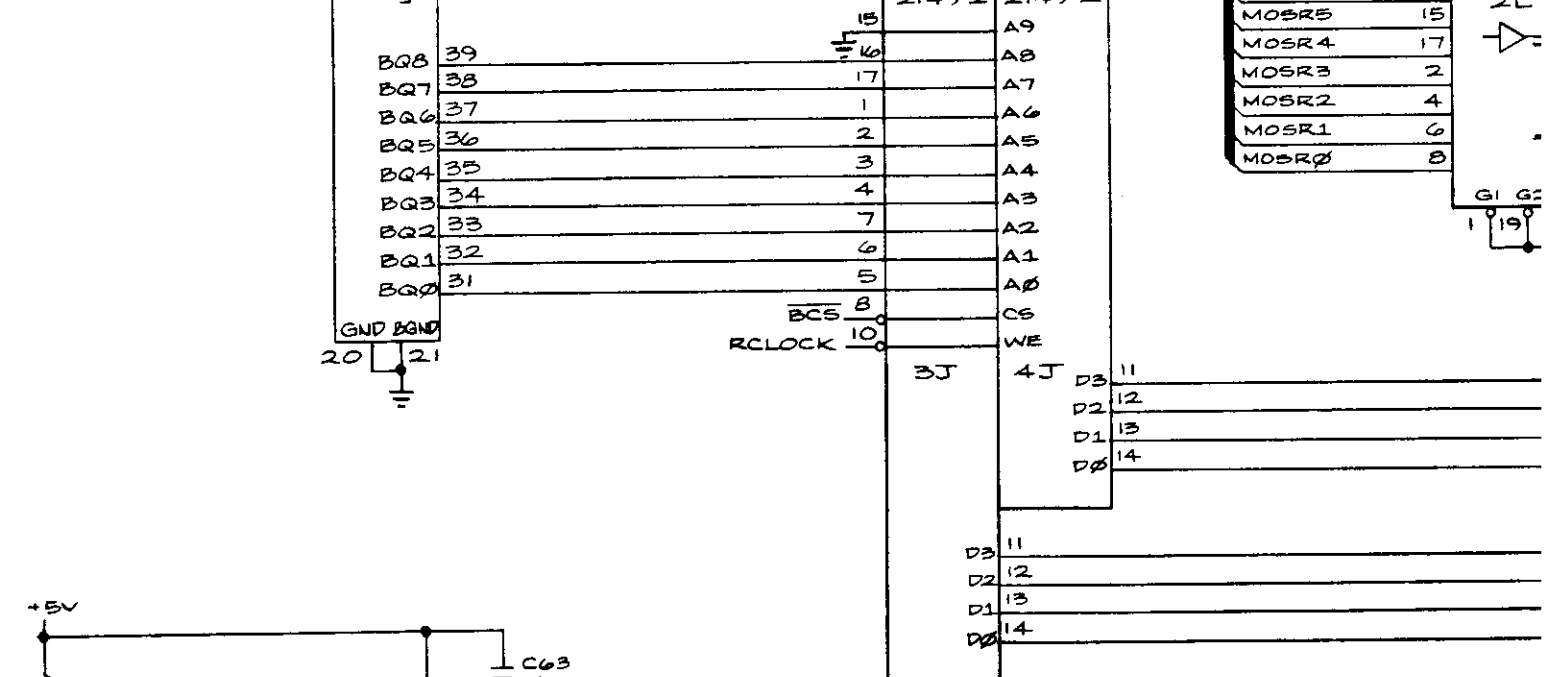
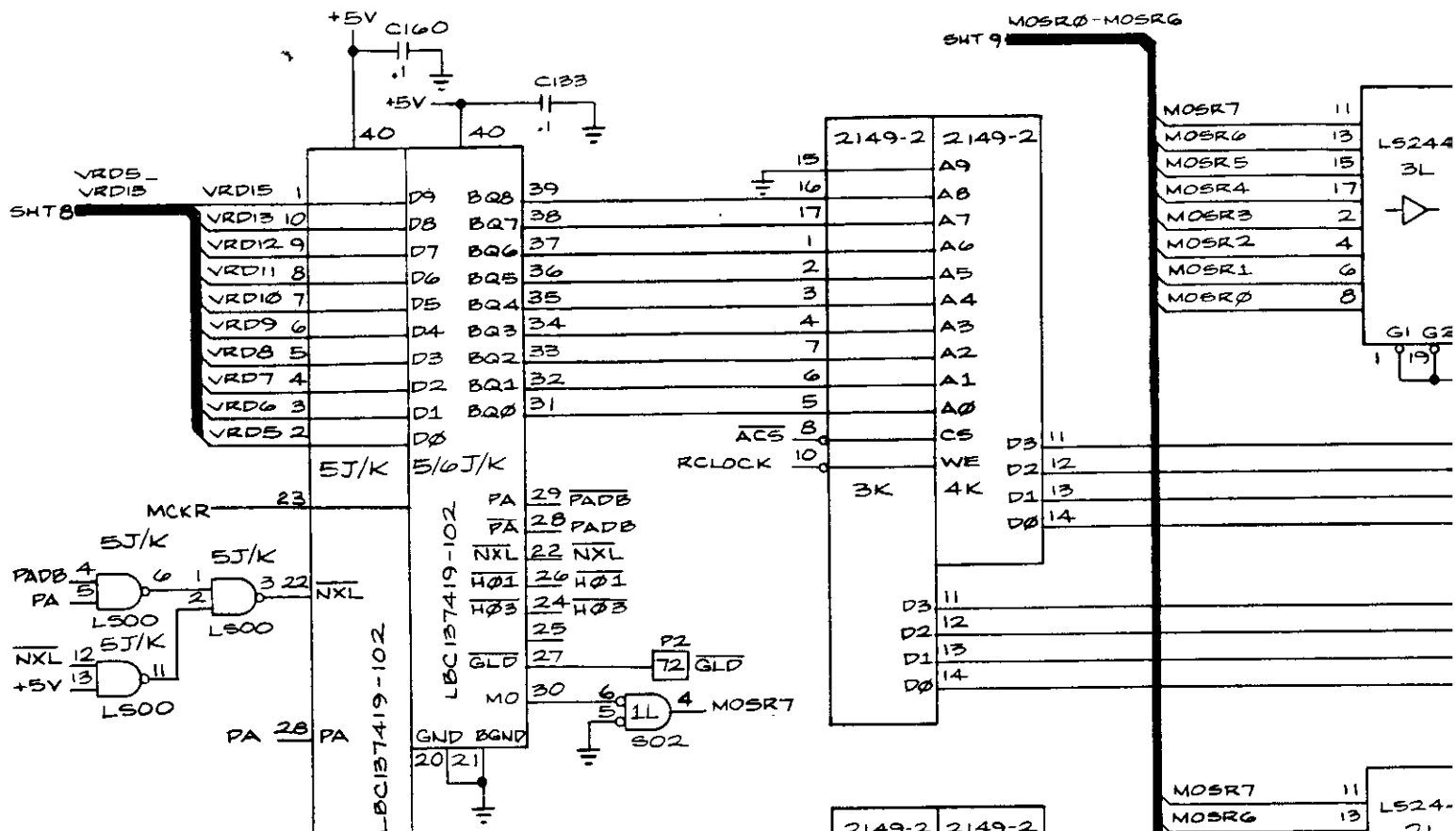
CONFIDENTIAL: Reproduction forbidden without the specific written permission of Atari Games Corporation, Milpitas, CA. This drawing is only conditionally issued, and neither receipt nor possession thereof confers or transfers any right in, or license to use, the subject matter of the drawing or any design or technical information shown thereon, nor any right to reproduce this drawing or any part thereof. Except for manufacture by vendors of Atari Games Corporation, and for manufacture under the corporation's written license, no right is granted to reproduce this drawing or the subject matter thereof, unless by written agreement with or written permission from the corporation.

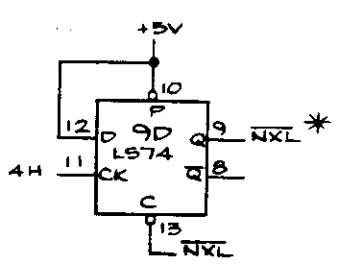
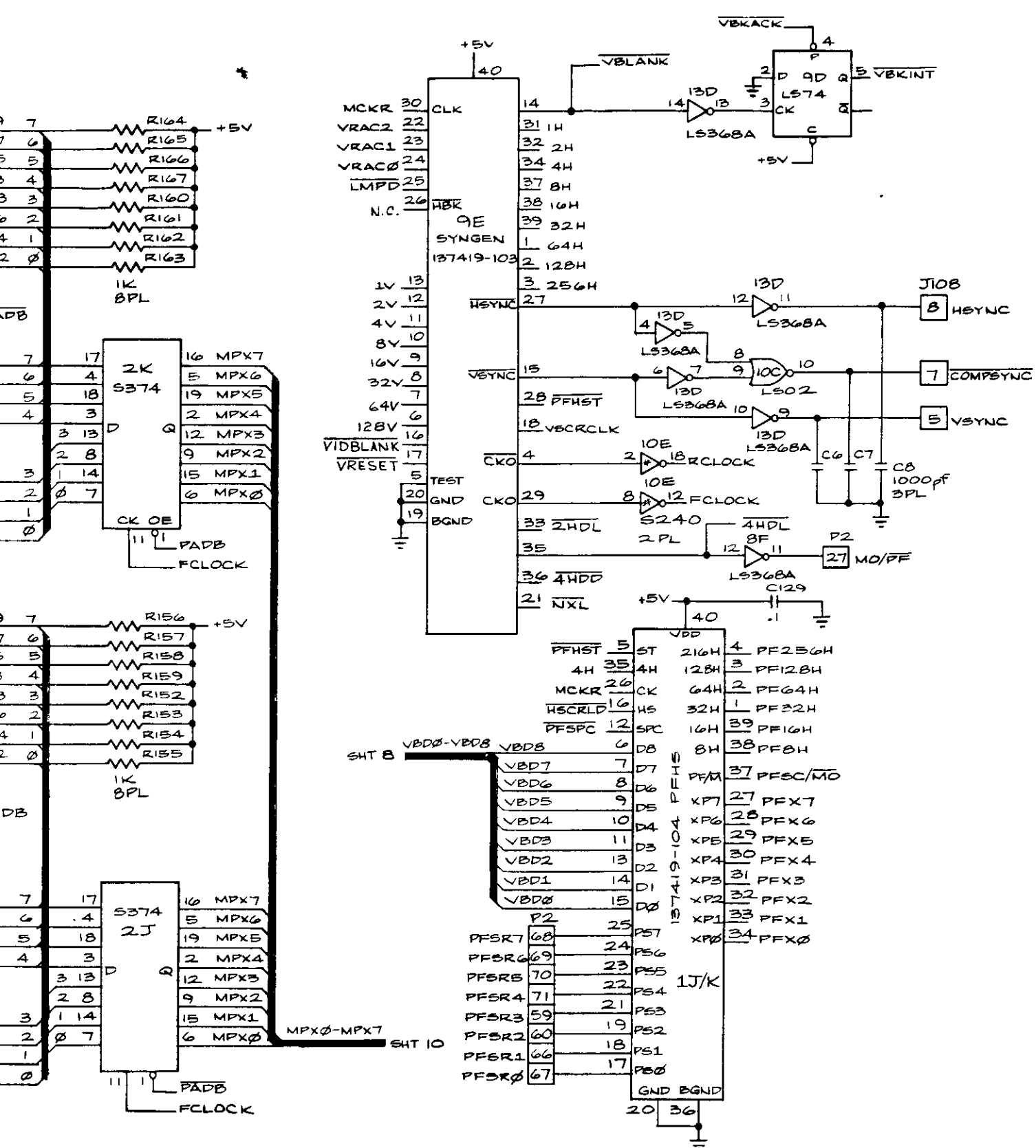


**Road Blasters™ /System I LSI Main  
PCB Schematic Diagram**

© 1987 Atari Games Corporation

SP-298 Sheet 6  
1st printing





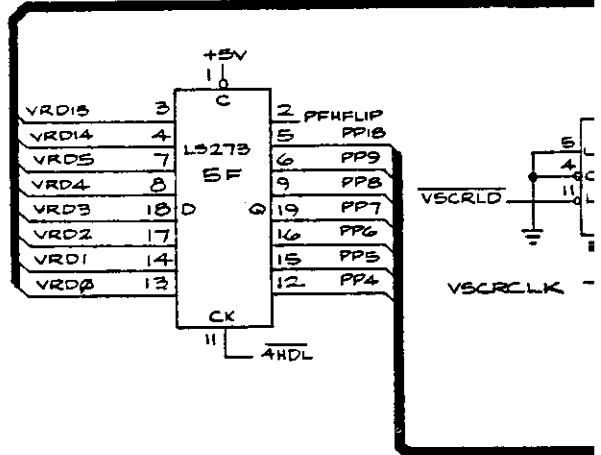
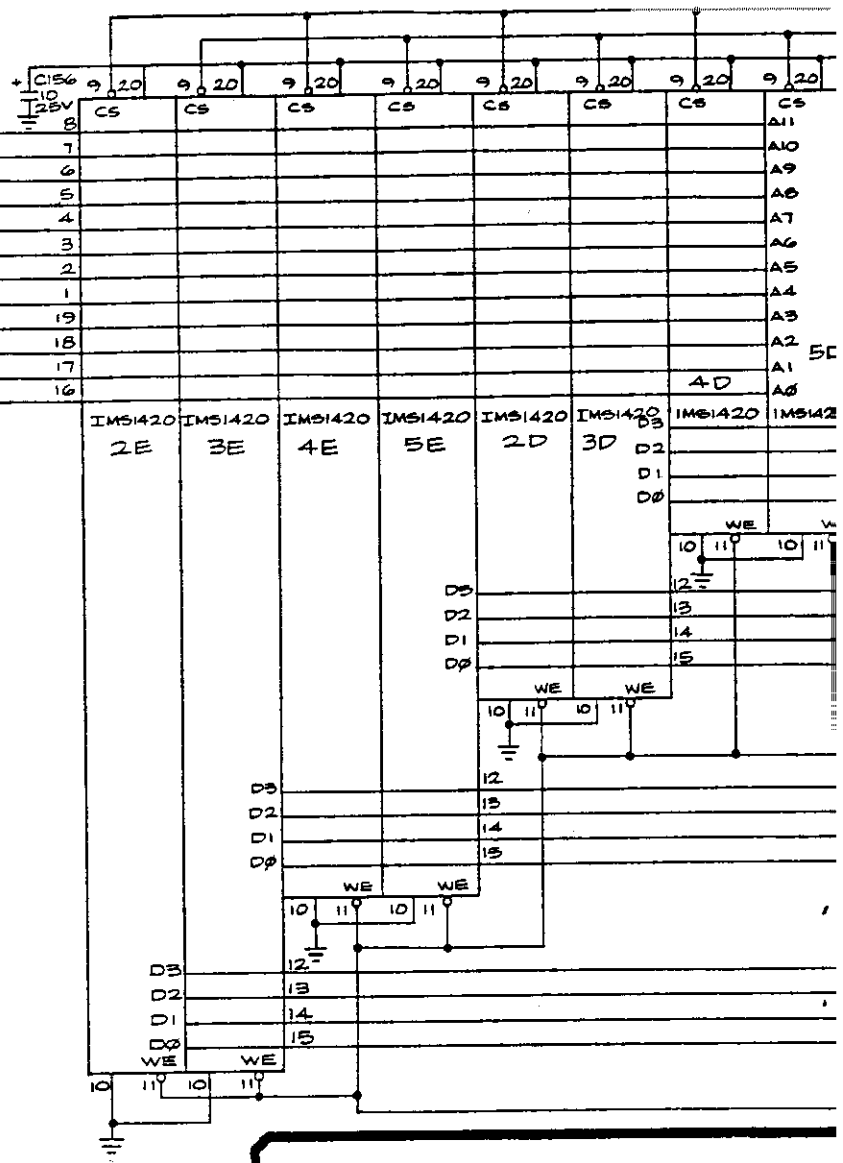
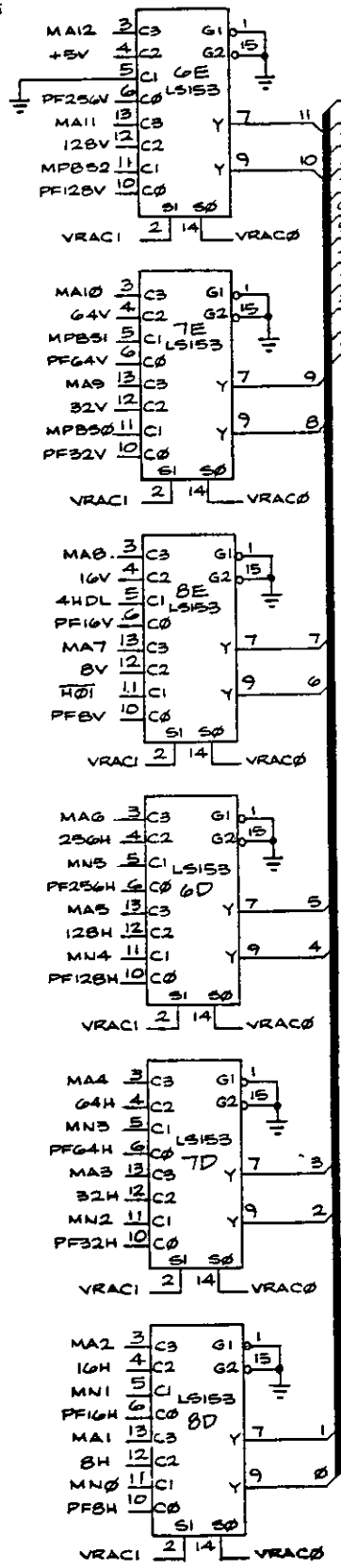
**NOTICE TO ALL PERSONS RECEIVING THIS DRAWING**  
 CONFIDENTIAL: Reproduction forbidden without the specific written permission of Atari Games Corporation, Milpitas, CA. This drawing is only conditionally issued, and neither receipt nor possession thereof confers or transfers any right in, or license to use, the subject matter of the drawing or any design or technical information shown thereon, nor any right to reproduce this drawing or any part thereof. Except for manufacture by vendors of Atari Games Corporation, and for manufacture under the corporation's written license, no right is granted to reproduce this drawing or the subject matter thereof, unless by written agreement with or written permission from the corporation.



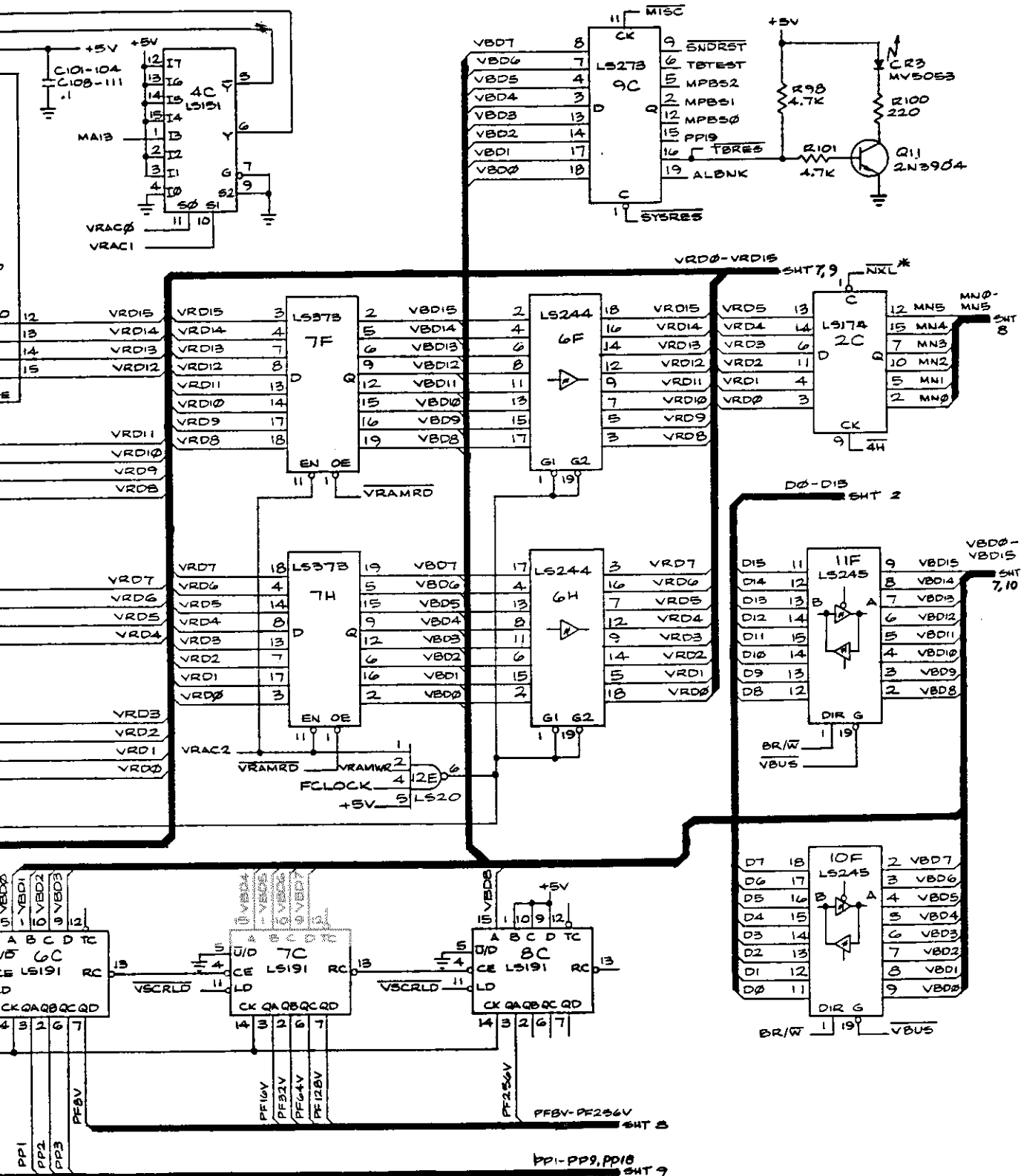
**Road Blasters™ /System I LSI Main PCB Schematic Diagram**

© 1987 Atari Games Corporation

SP-298 Sheet 7  
1st printing







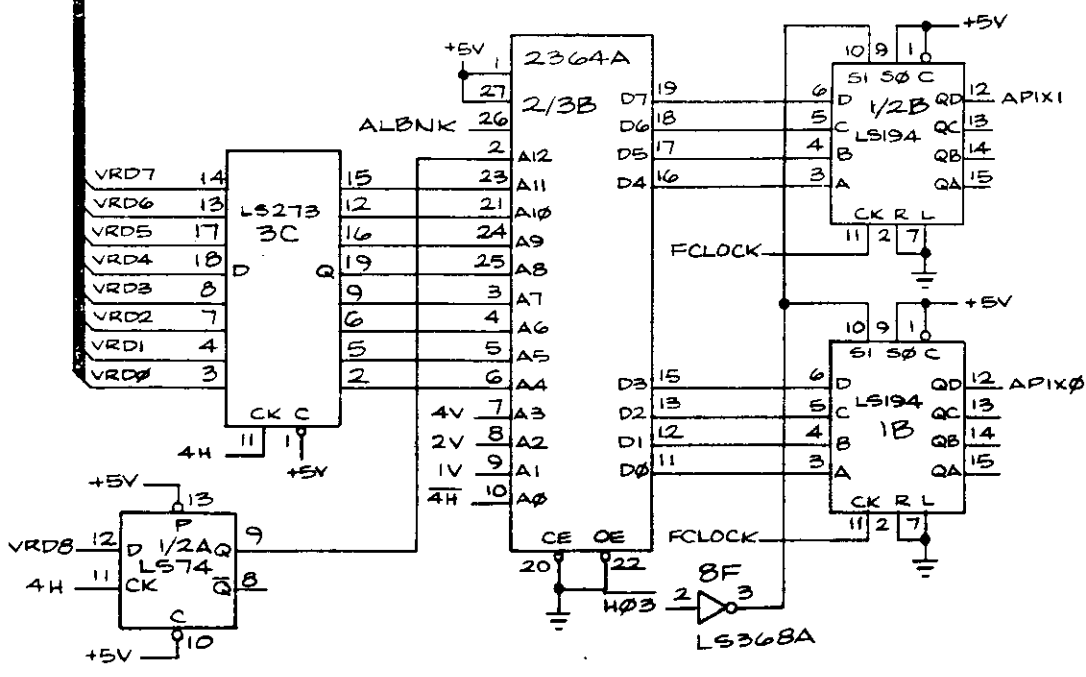
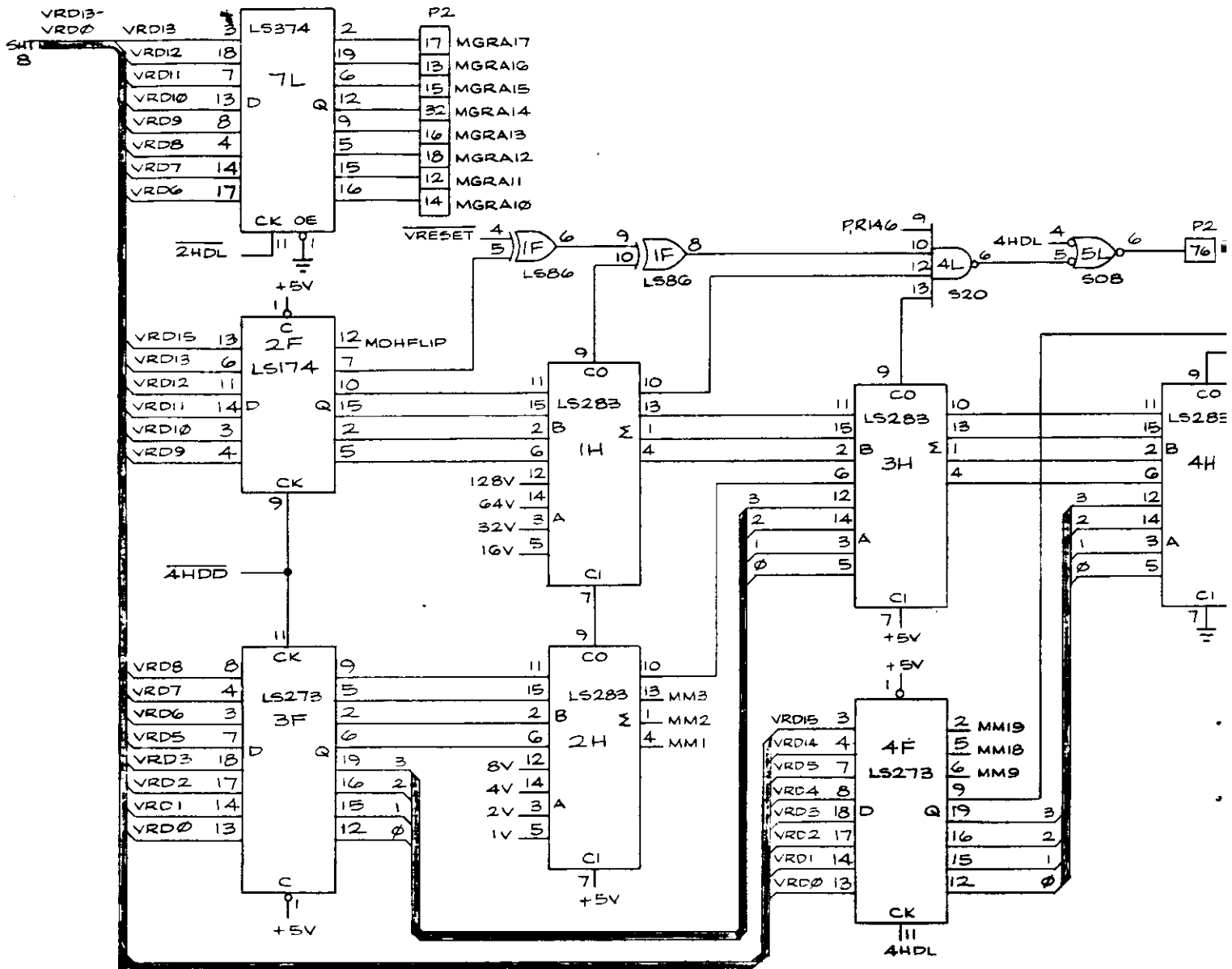
**NOTICE TO ALL PERSONS RECEIVING THIS DRAWING**  
 CONFIDENTIAL. Reproduction forbidden without the specific written permission of Atari Games Corporation, Milpitas, CA. This drawing is only conditionally issued, and neither receipt nor possession thereof confers or transfers any right in, or license to use, the subject matter of the drawing or any design or technical information shown thereon, nor any right to reproduce this drawing or any part thereof. Except for manufacture by vendors of Atari Games Corporation, and for manufacture under the corporation's written license, no right is granted to reproduce this drawing or the subject matter thereof, unless by written agreement with or written permission from the corporation.

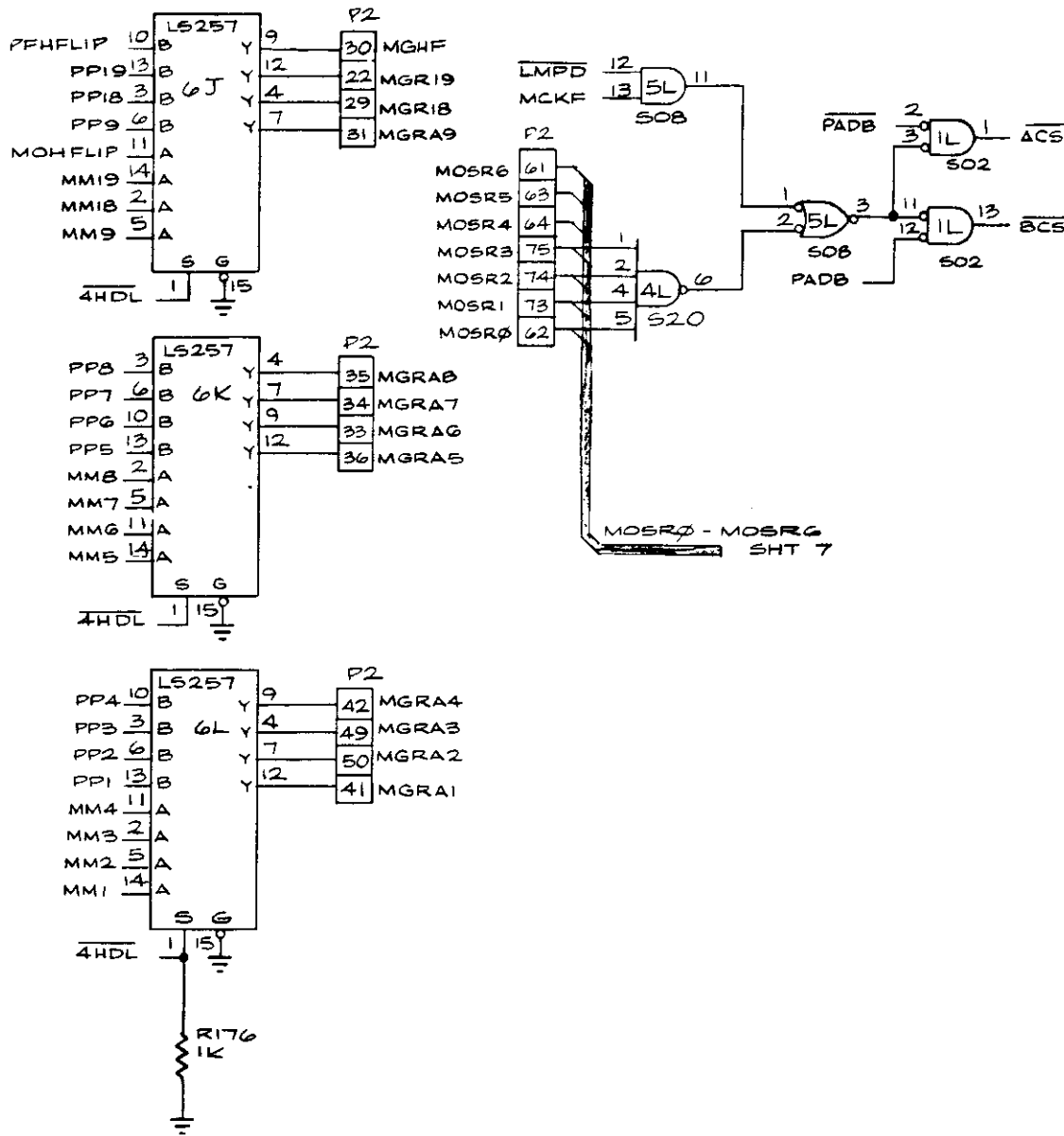
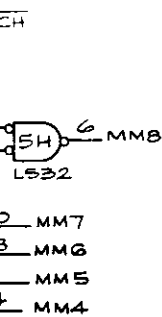


## Road Blasters™ / System I LSI Main PCB Schematic Diagram

© 1987 Atari Games Corporation

SP-298 Sheet 8  
1st printing





**NOTICE TO ALL PERSONS  
RECEIVING THIS DRAWING**

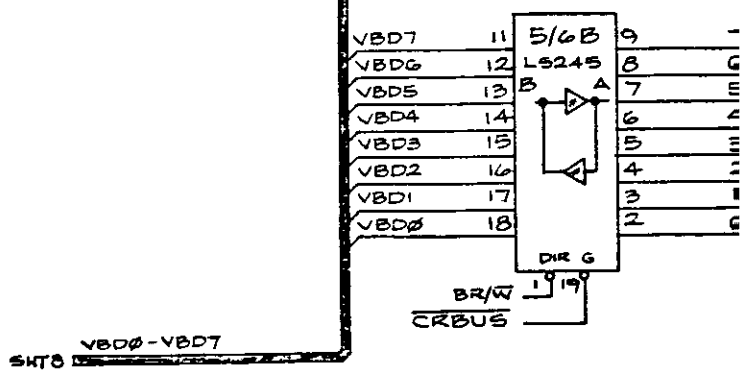
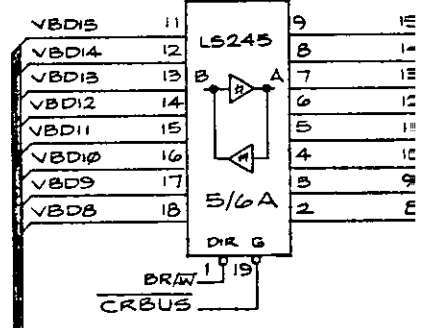
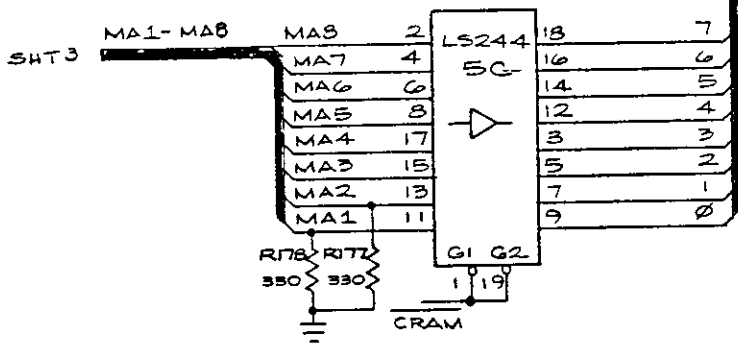
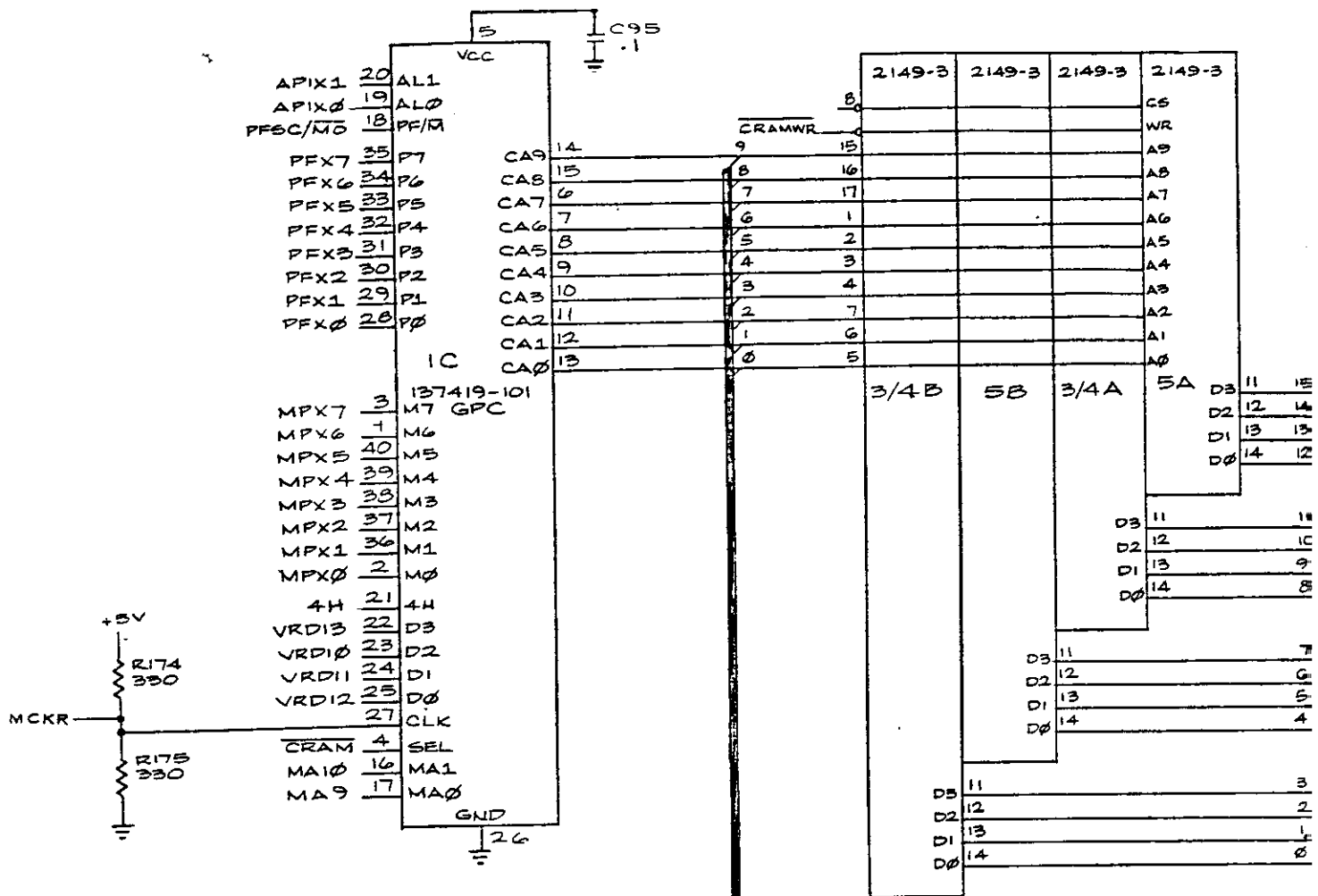
CONFIDENTIAL: Reproduction forbidden without the specific written permission of Atari Games Corporation, Milpitas, CA. This drawing is only conditionally issued, and neither receipt nor possession thereof confers or transfers any right in, or license to use, the subject matter of the drawing or any design or technical information shown thereon, nor any right to reproduce this drawing or any part thereof. Except for manufacture by vendors of Atari Games Corporation, and for manufacture under the corporation's written license, no right is granted to reproduce this drawing or the subject matter thereof, unless by written agreement with or written permission from the corporation.

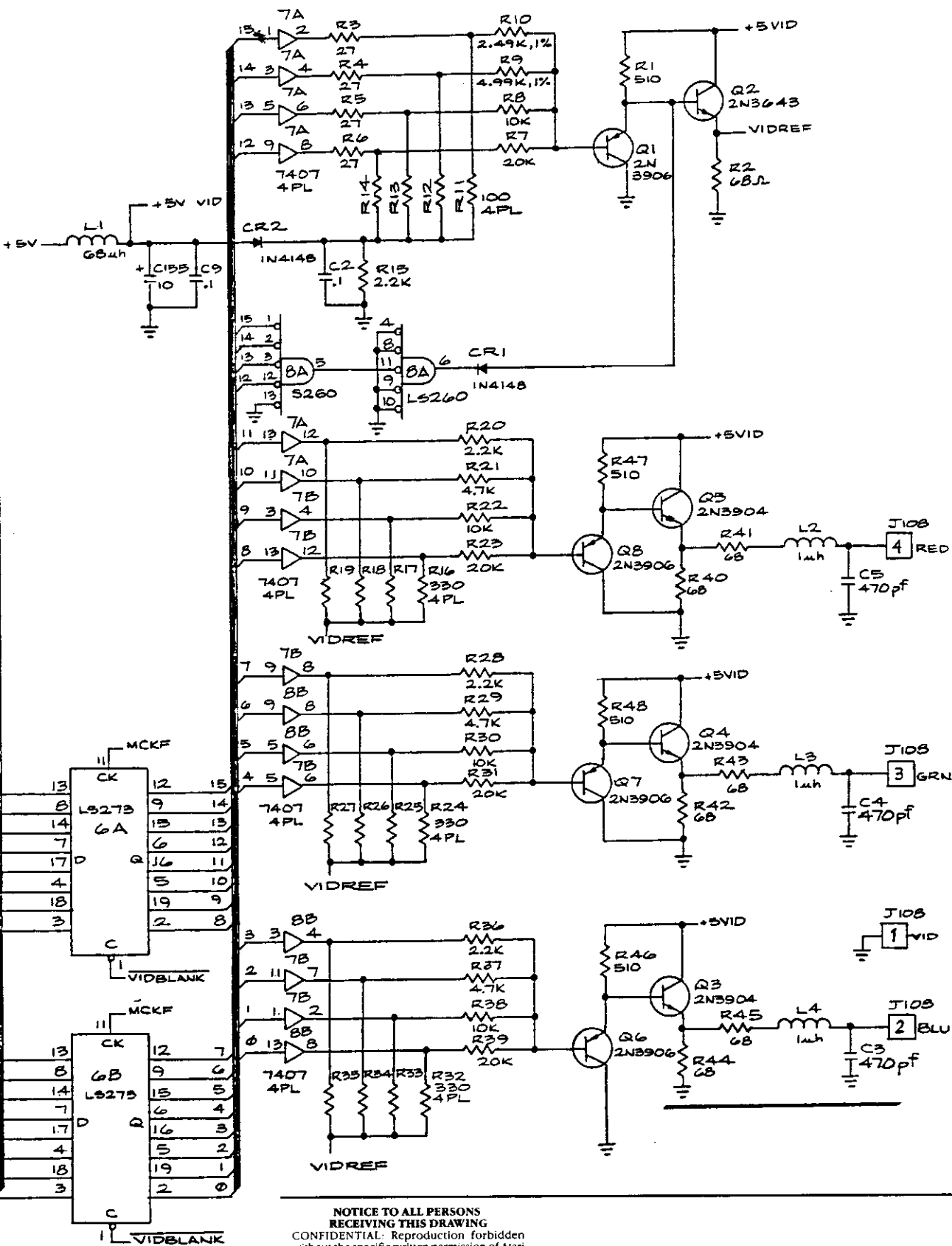


**Road Blasters™ /System I LSI Main  
PCB Schematic Diagram**

© 1987 Atari Games Corporation

SP-298 Sheet 9  
1st printing





**NOTICE TO ALL PERSONS RECEIVING THIS DRAWING**

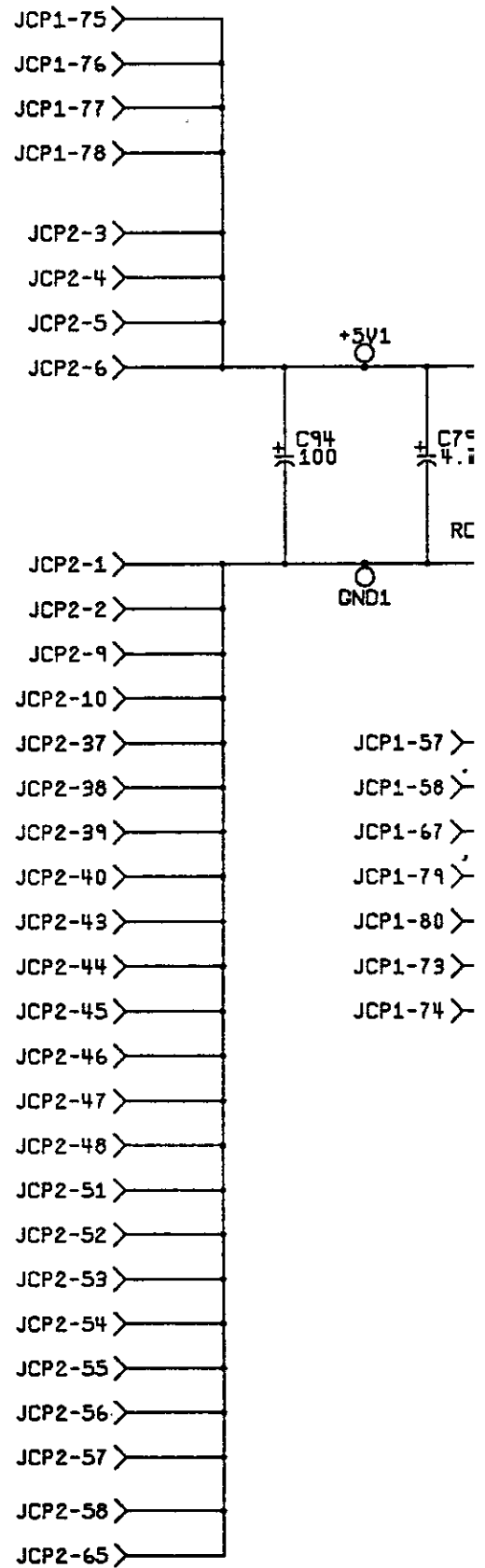
CONFIDENTIAL: Reproduction forbidden without the specific written permission of Atari Games Corporation, Milpitas, CA. This drawing is only conditionally issued, and neither receipt nor possession thereof confers or transfers any right in, or license to use, the subject matter of the drawing or any design or technical information shown thereon, nor any right to reproduce this drawing or any part thereof. Except for manufacture by vendors of Atari Games Corporation, and for manufacture under the corporation's written license, no right is granted to reproduce this drawing or the subject matter thereof, unless by written agreement with or written permission from the corporation.

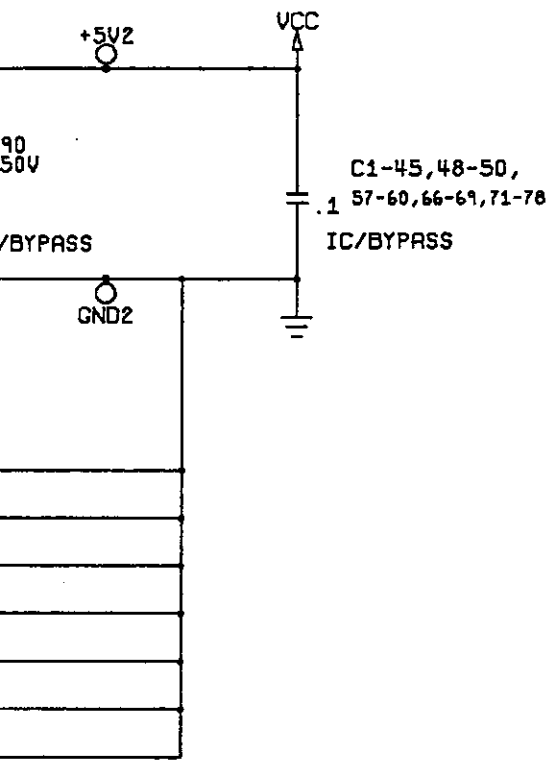
**Road Blasters™/System I LSI Main PCB Schematic Diagram**



© 1987 Atari Games Corporation

SP-298 Sheet 10  
1st printing





**NOTICE TO ALL PERSONS  
RECEIVING THIS DRAWING**

CONFIDENTIAL: Reproduction forbidden without the specific written permission of Atari Games Corporation, Milpitas, CA. This drawing is only conditionally issued, and neither receipt nor possession thereof confers or transfers any right in, or license to use, the subject matter of the drawing or any design or technical information shown thereon, nor any right to reproduce this drawing or any part thereof. Except for manufacture by vendors of Atari Games Corporation, and for manufacture under the corporation's written license, no right is granted to reproduce this drawing or the subject matter thereof, unless by written agreement with or written permission from the corporation.



**Road Blasters™ /System I LSI Cartridge 4  
PCB Schematic Diagram**

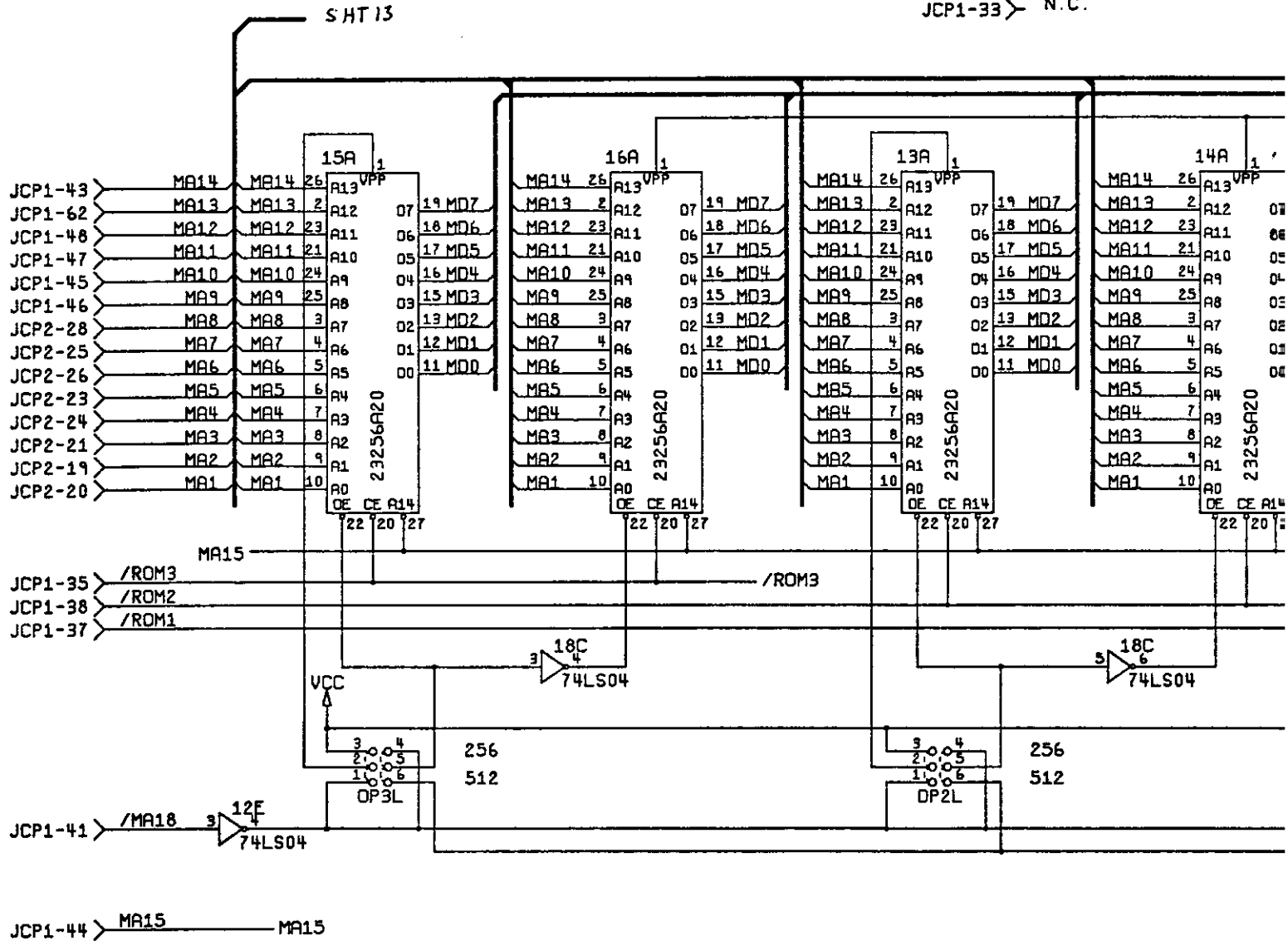
© 1987 Atari Games Corporation

SP-298 Sheet 11  
1st printing

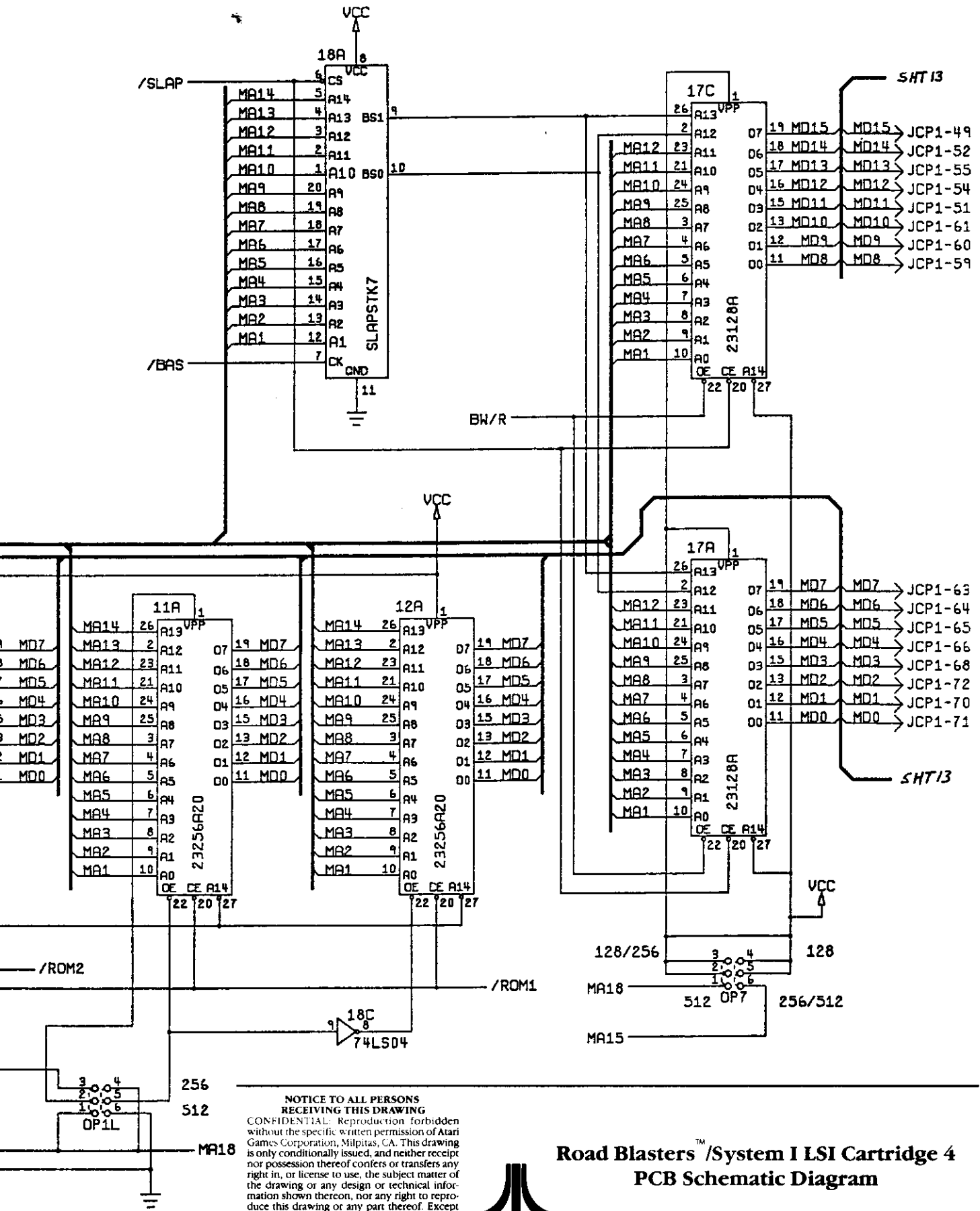
JCP1-36 > /SLAP  
 JCP1-34 > /BAS  
 JCP1-50 > BW/R

JCP1-40 > (N.C.) /INT1  
 JCP1-19 > (N.C.) /WAIT  
 JCP1-32 > (N.C.) /BLDS

JCP2-80 > N.C.  
 JCP2-79 > N.C.  
 JCP2-78 > N.C.  
 JCP1-42 > N.C.  
 JCP1-56 > N.C.  
 JCP2-77 > N.C.  
 JCP1-33 > N.C.







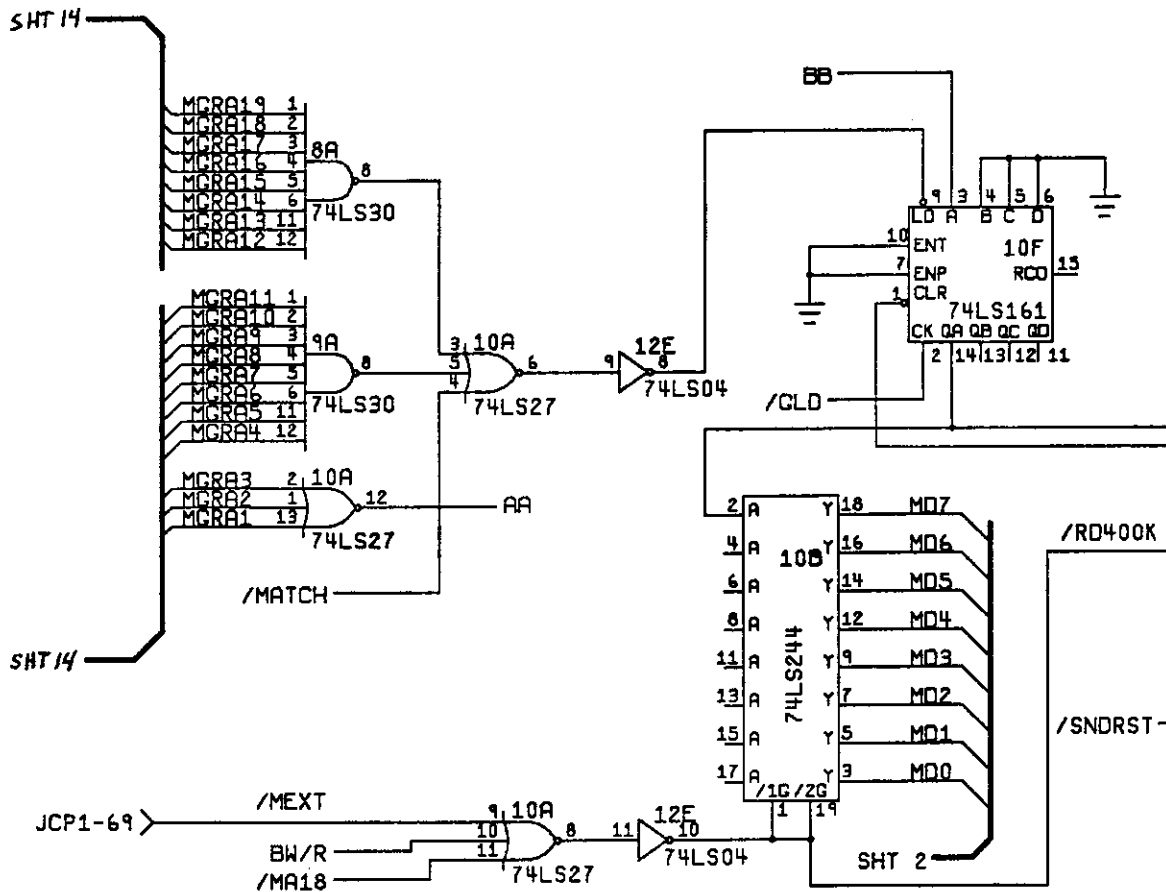
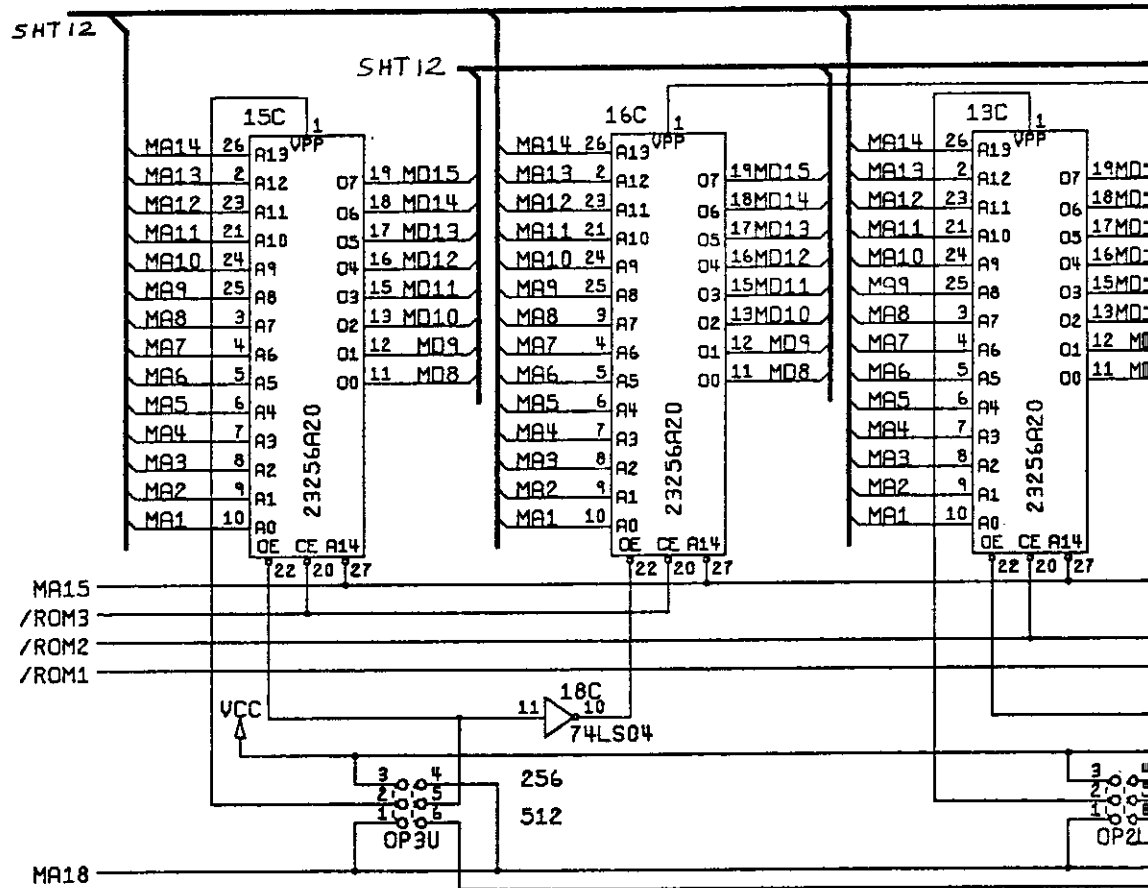
**NOTICE TO ALL PERSONS RECEIVING THIS DRAWING**  
 CONFIDENTIAL: Reproduction forbidden without the specific written permission of Atari Games Corporation, Milpitas, CA. This drawing is only conditionally issued, and neither receipt nor possession thereof confers or transfers any right in, or license to use, the subject matter of the drawing or any design or technical information shown thereon, nor any right to reproduce this drawing or any part thereof. Except for manufacture by vendors of Atari Games Corporation, and for manufacture under the corporation's written license, no right is granted to reproduce this drawing or the subject matter thereof, unless by written agreement with or written permission from the corporation.

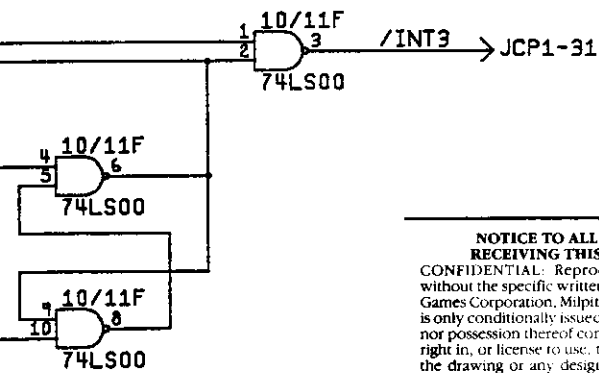
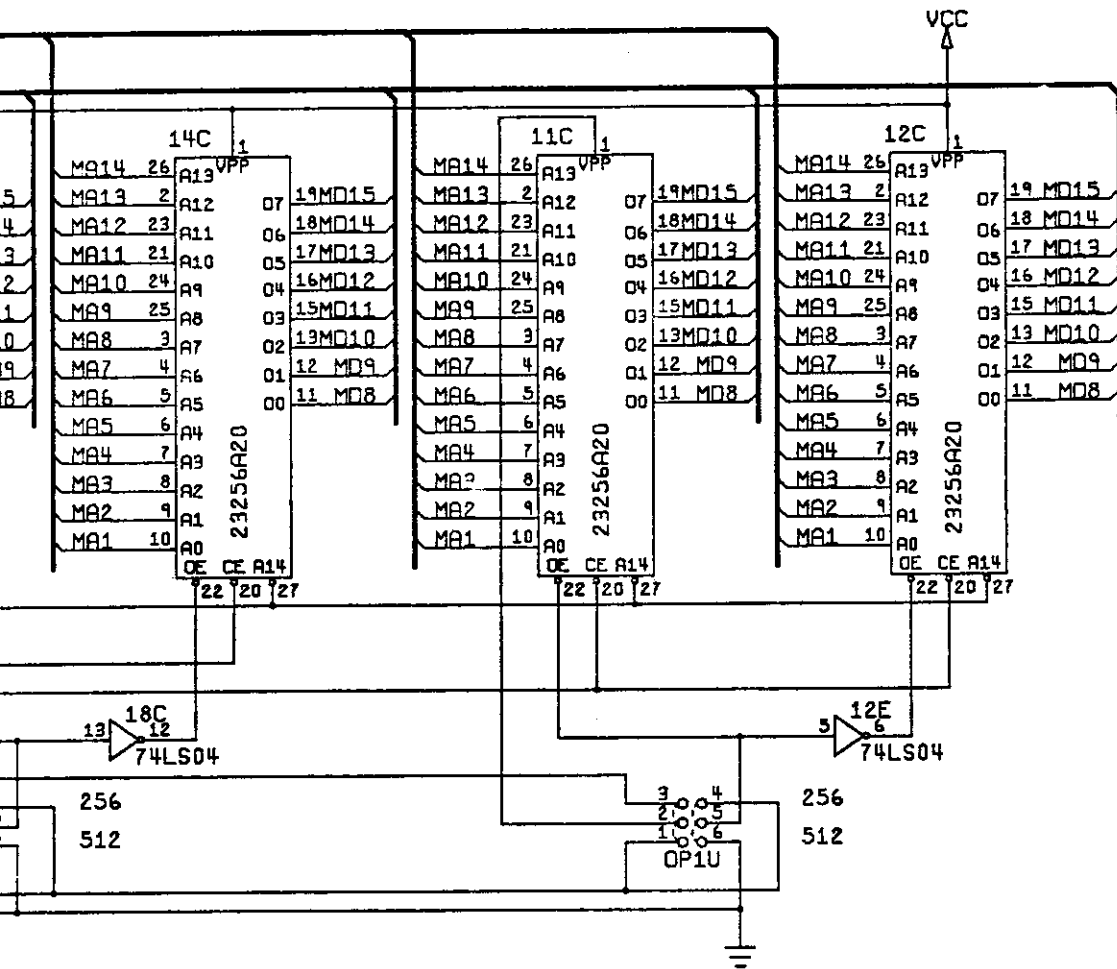


**Road Blasters™ /System I LSI Cartridge 4  
 PCB Schematic Diagram**

© 1987 Atari Games Corporation

SP-298 Sheet 12  
 1st printing





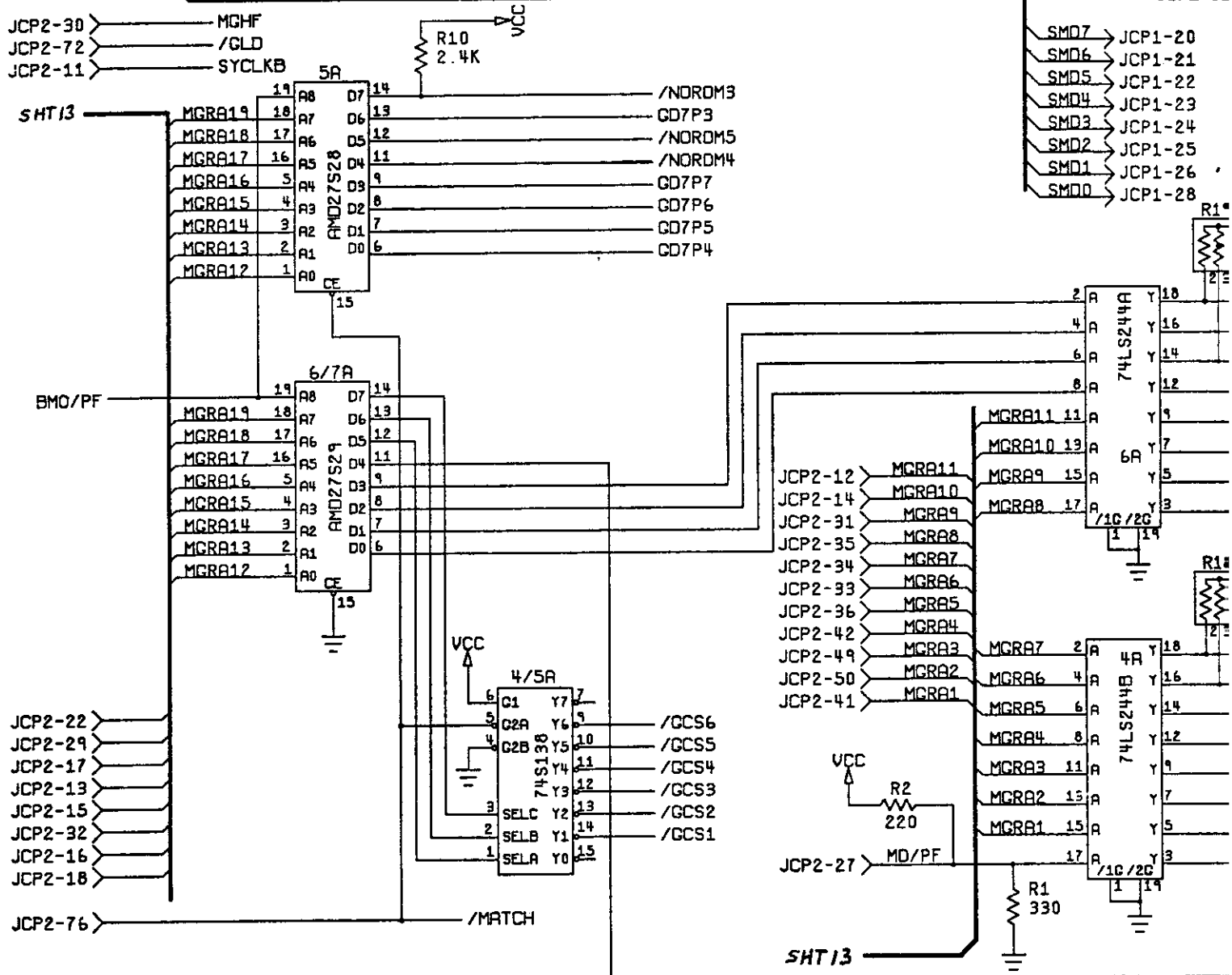
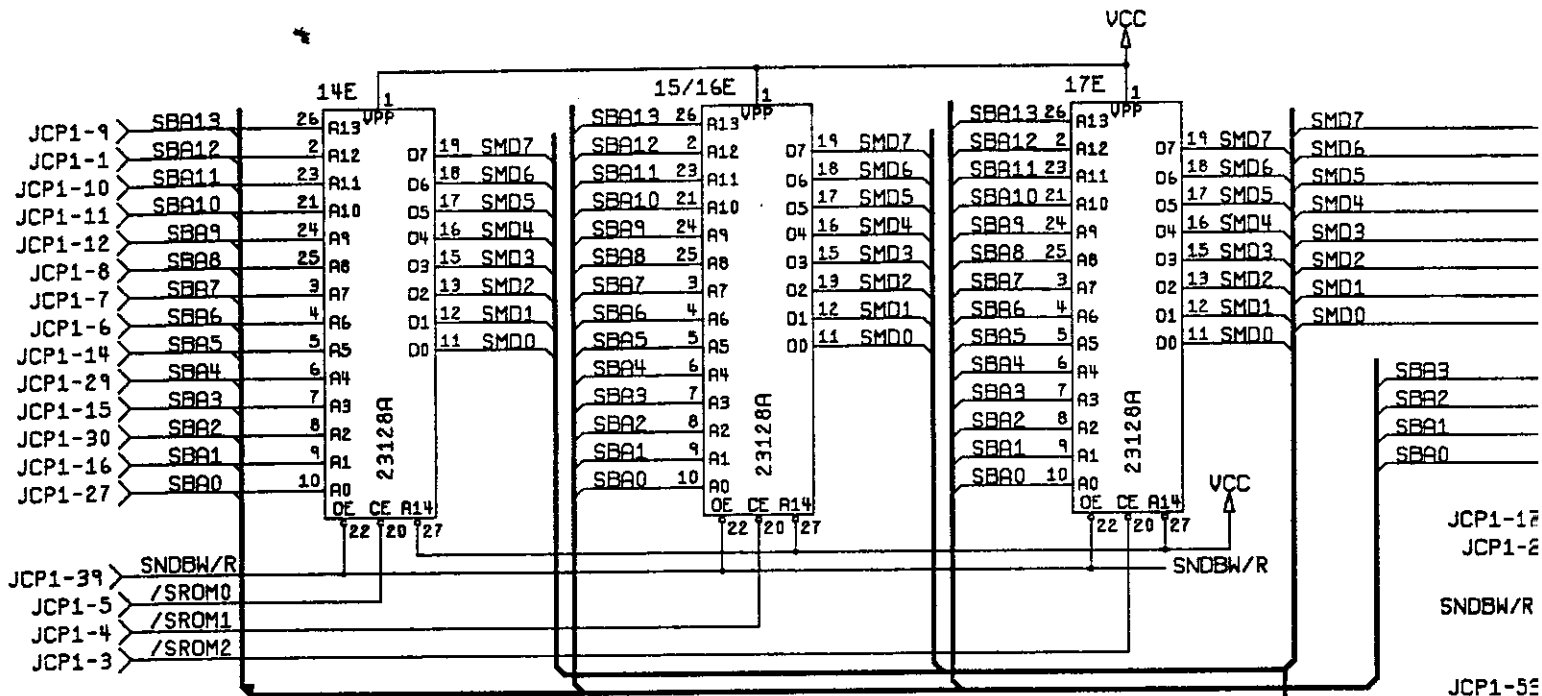
**NOTICE TO ALL PERSONS RECEIVING THIS DRAWING**  
 CONFIDENTIAL: Reproduction forbidden without the specific written permission of Atari Games Corporation, Milpitas, CA. This drawing is only conditionally issued, and neither receipt nor possession thereof confers or transfers any right in, or license to use, the subject matter of the drawing or any design or technical information shown thereon, nor any part thereof. Except for manufacture by vendors of Atari Games Corporation, and for manufacture under the corporation's written license, no right is granted to reproduce this drawing or the subject matter thereof, unless by written agreement with or written permission from the corporation.

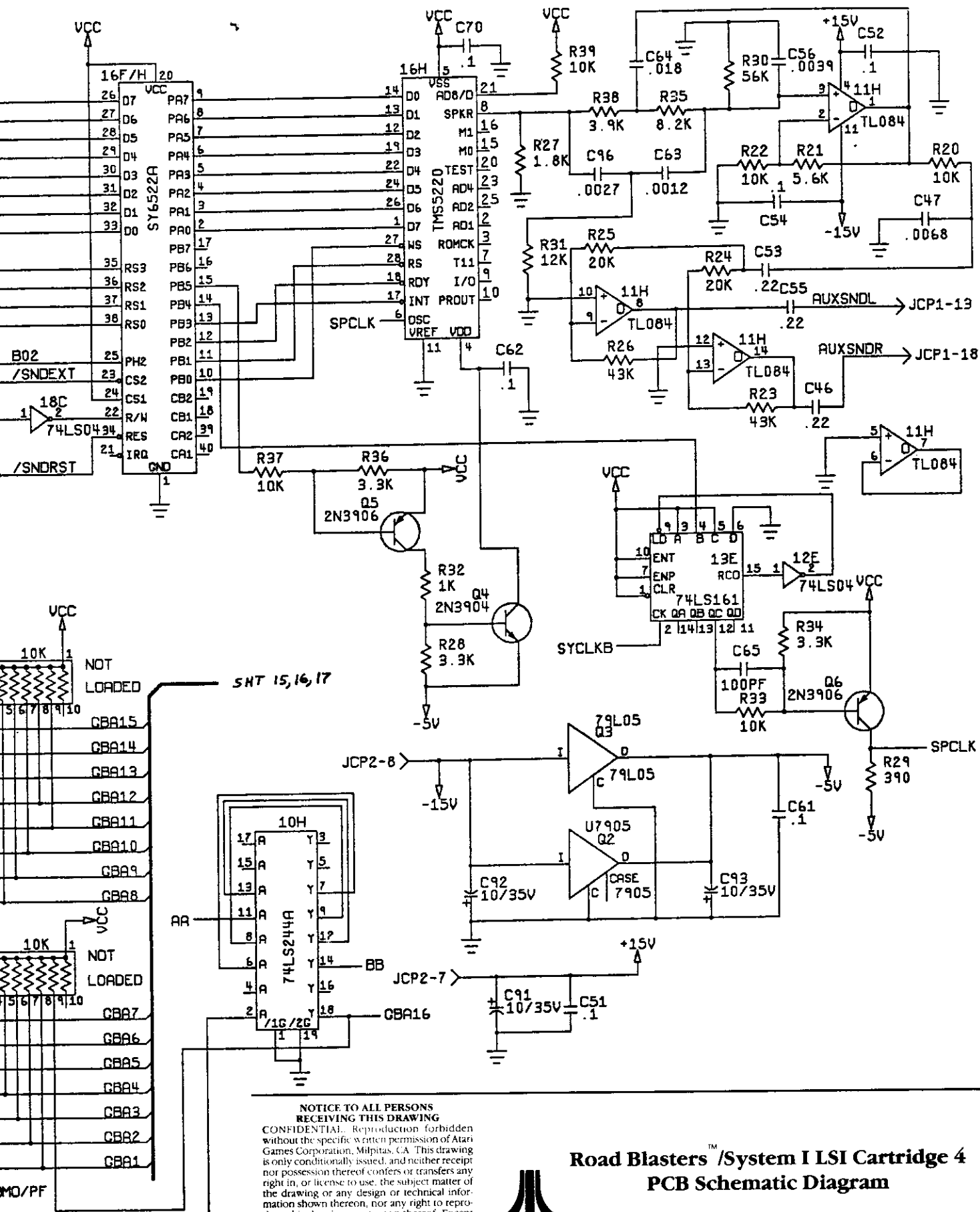


**Road Blasters™ /System I LSI Cartridge 4  
 PCB Schematic Diagram**

© 1987 Atari Games Corporation

SP-298 Sheet 13  
 1st printing





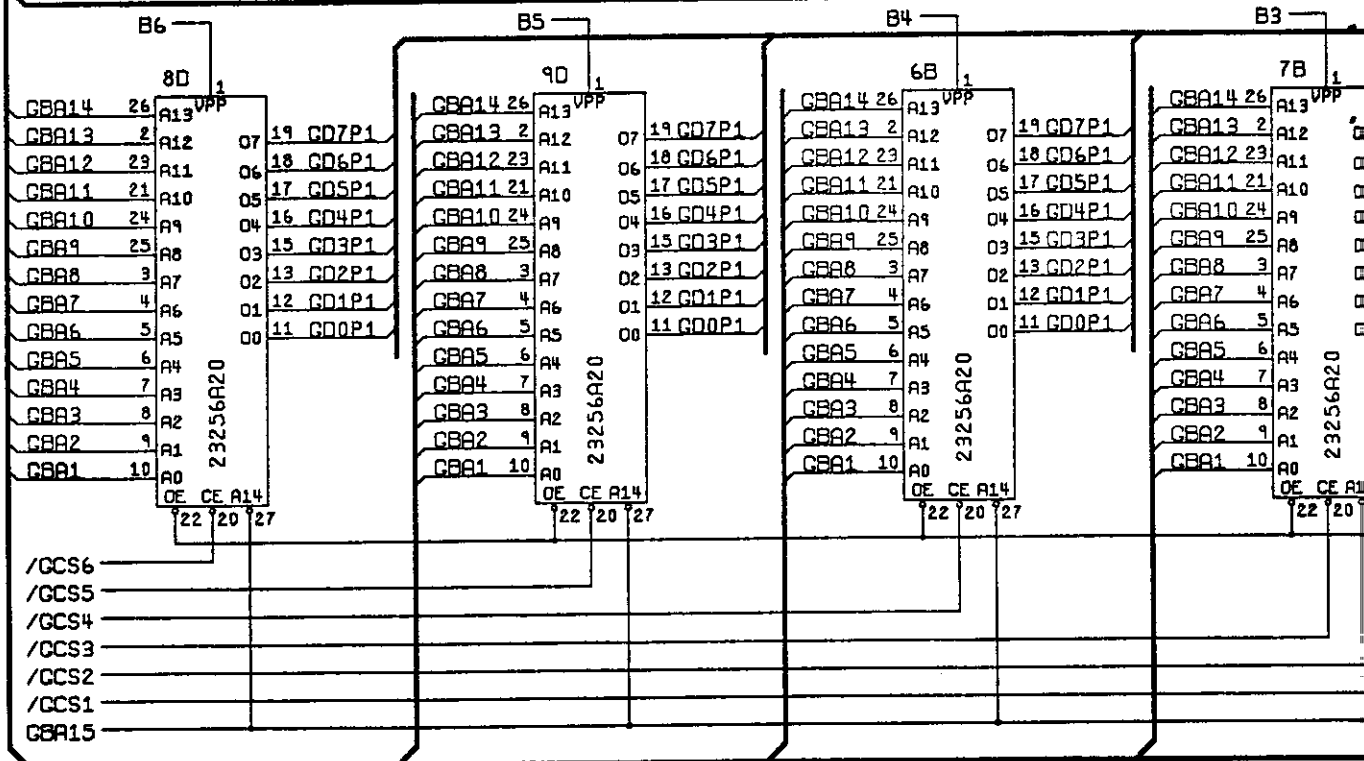
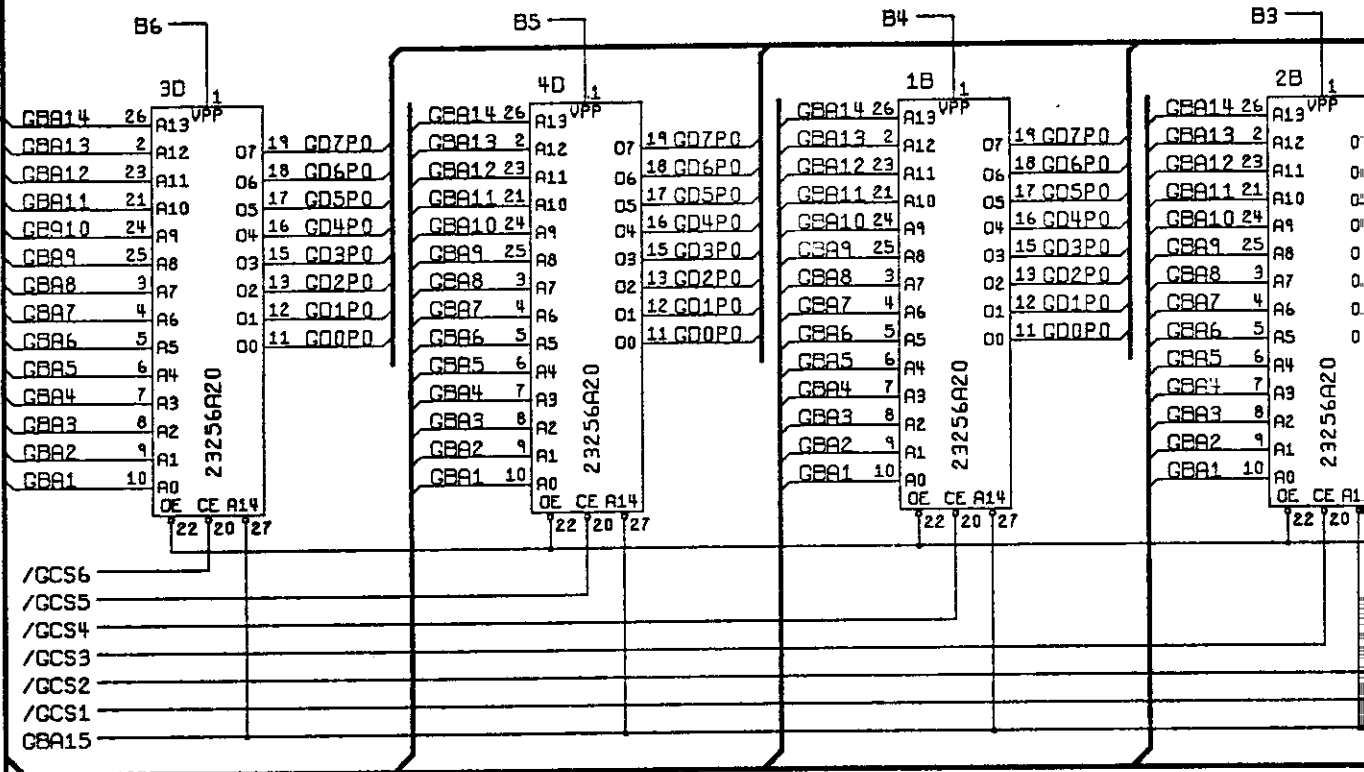
**NOTICE TO ALL PERSONS RECEIVING THIS DRAWING**

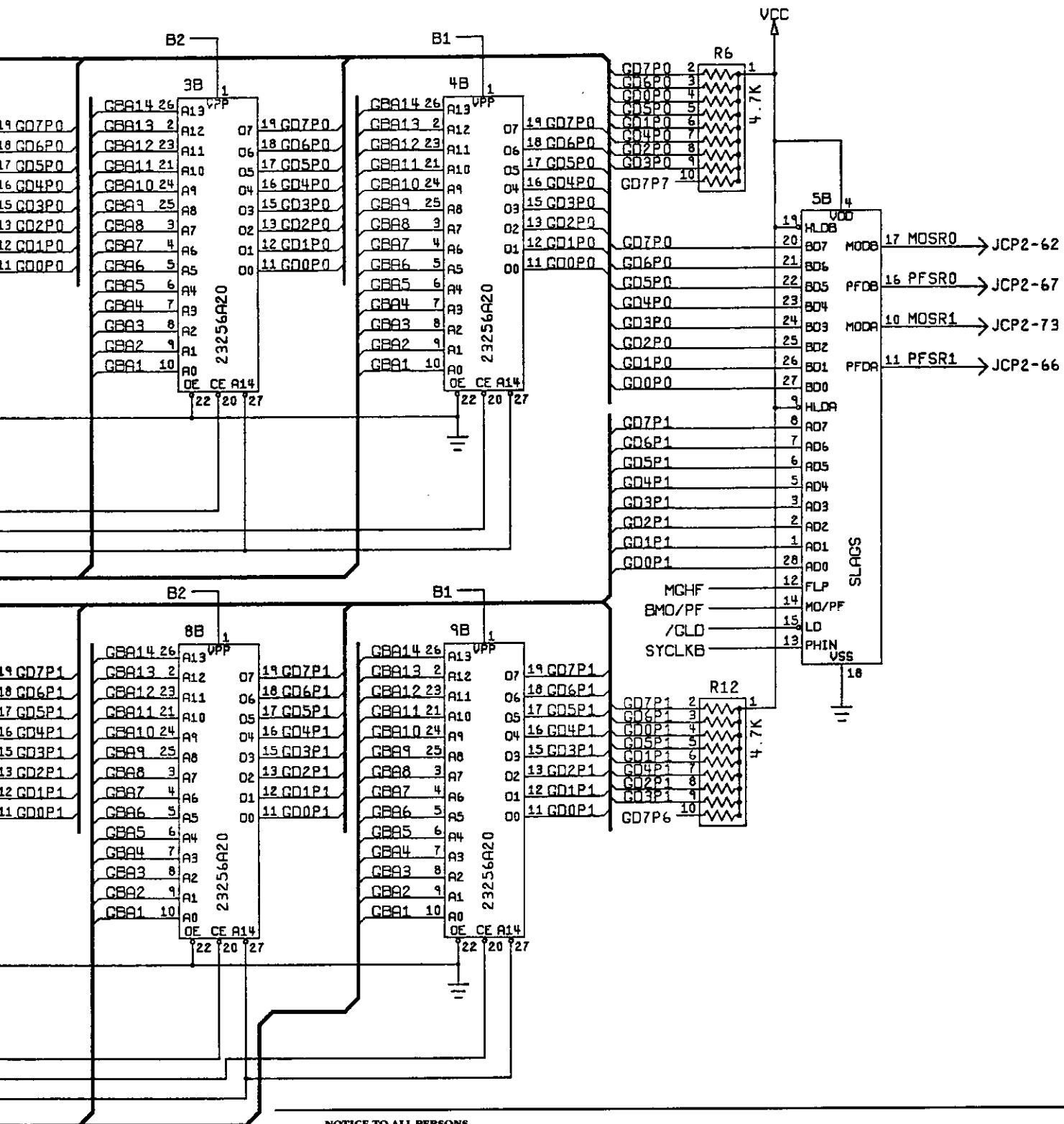
CONFIDENTIAL. Reproduction forbidden without the specific written permission of Atari Games Corporation, Milpitas, CA. This drawing is only conditionally issued, and neither receipt nor possession thereof confers or transfers any right in, or license to use, the subject matter of the drawing or any design or technical information shown thereon, nor any right to reproduce this drawing or any part thereof. Except for manufacture by vendors of Atari Games Corporation, and for manufacture under the corporation's written license, no right is granted to reproduce this drawing or the subject matter thereof, unless by written agreement with or written permission from the corporation.

**Road Blasters™ /System I LSI Cartridge 4  
PCB Schematic Diagram**



SHT 14





**NOTICE TO ALL PERSONS RECEIVING THIS DRAWING**

CONFIDENTIAL. Reproduction forbidden without the specific written permission of Atari Games Corporation, Milpitas, CA. This drawing is only conditionally issued, and neither receipt nor possession thereof confers or transfers any right in, or license to use, the subject matter of the drawing or any design or technical information shown thereon, nor any right to reproduce this drawing or any part thereof. Except for manufacture by vendors of Atari Games Corporation, and for manufacture under the corporation's written license, no right is granted to reproduce this drawing or the subject matter thereof, unless by written agreement with or written permission from the corporation.

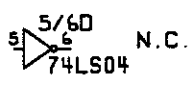
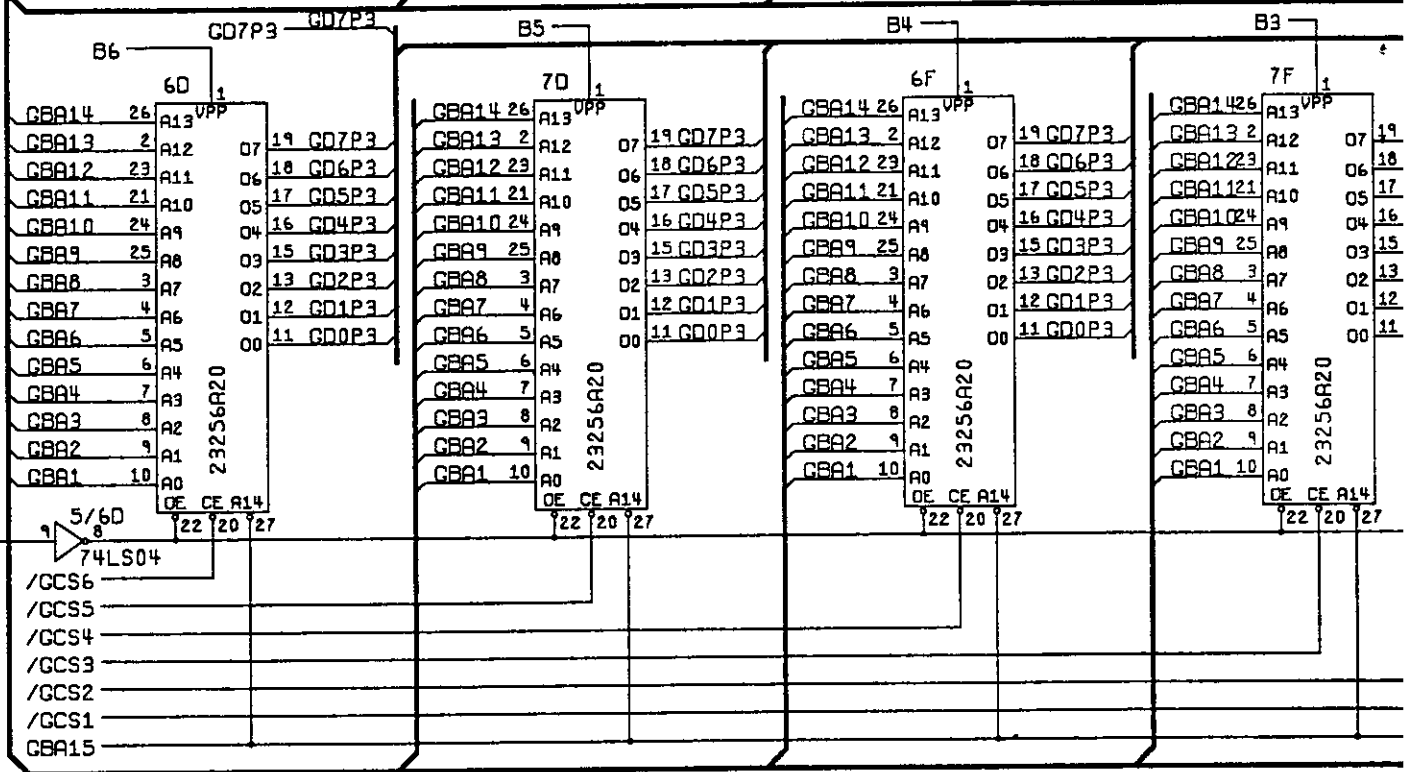
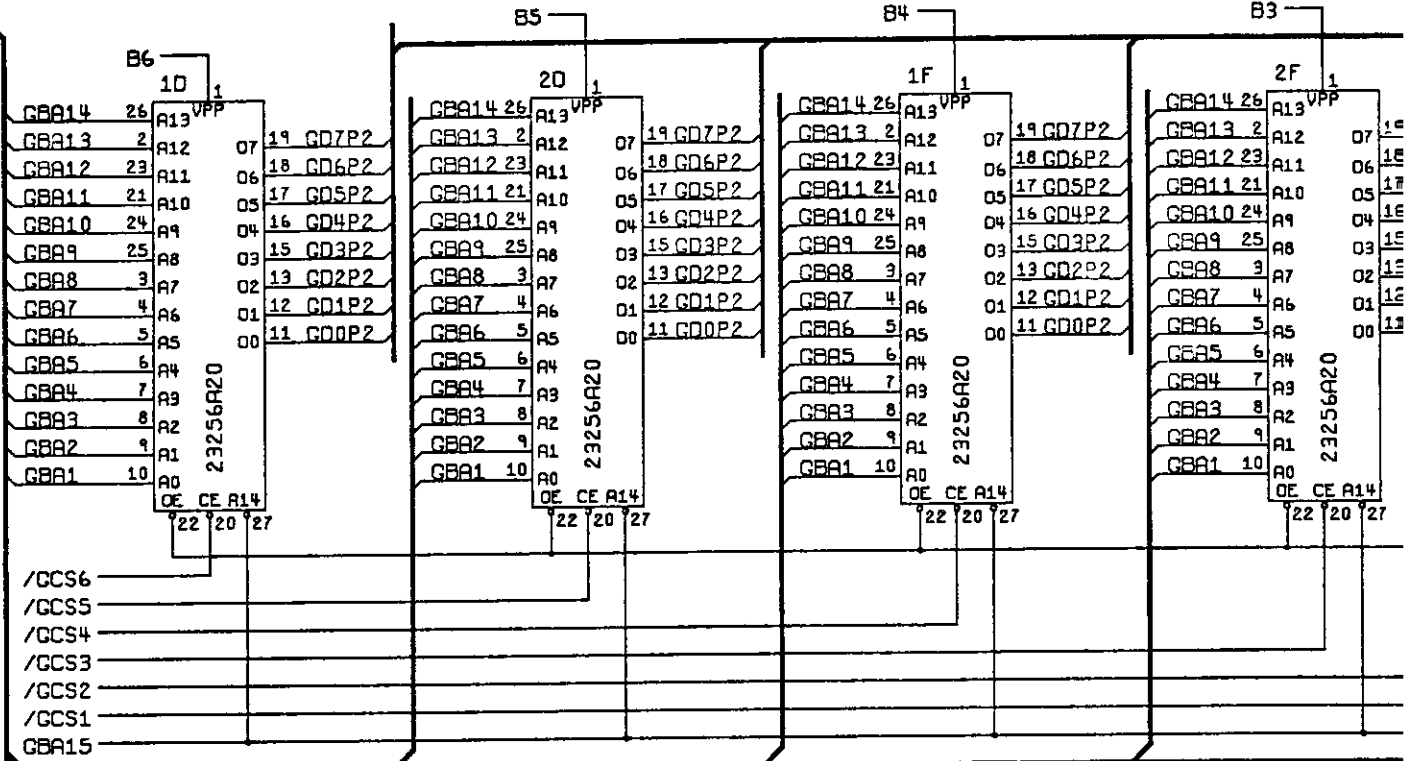


**Road Blasters™ /System I LSI Cartridge 4  
PCB Schematic Diagram**

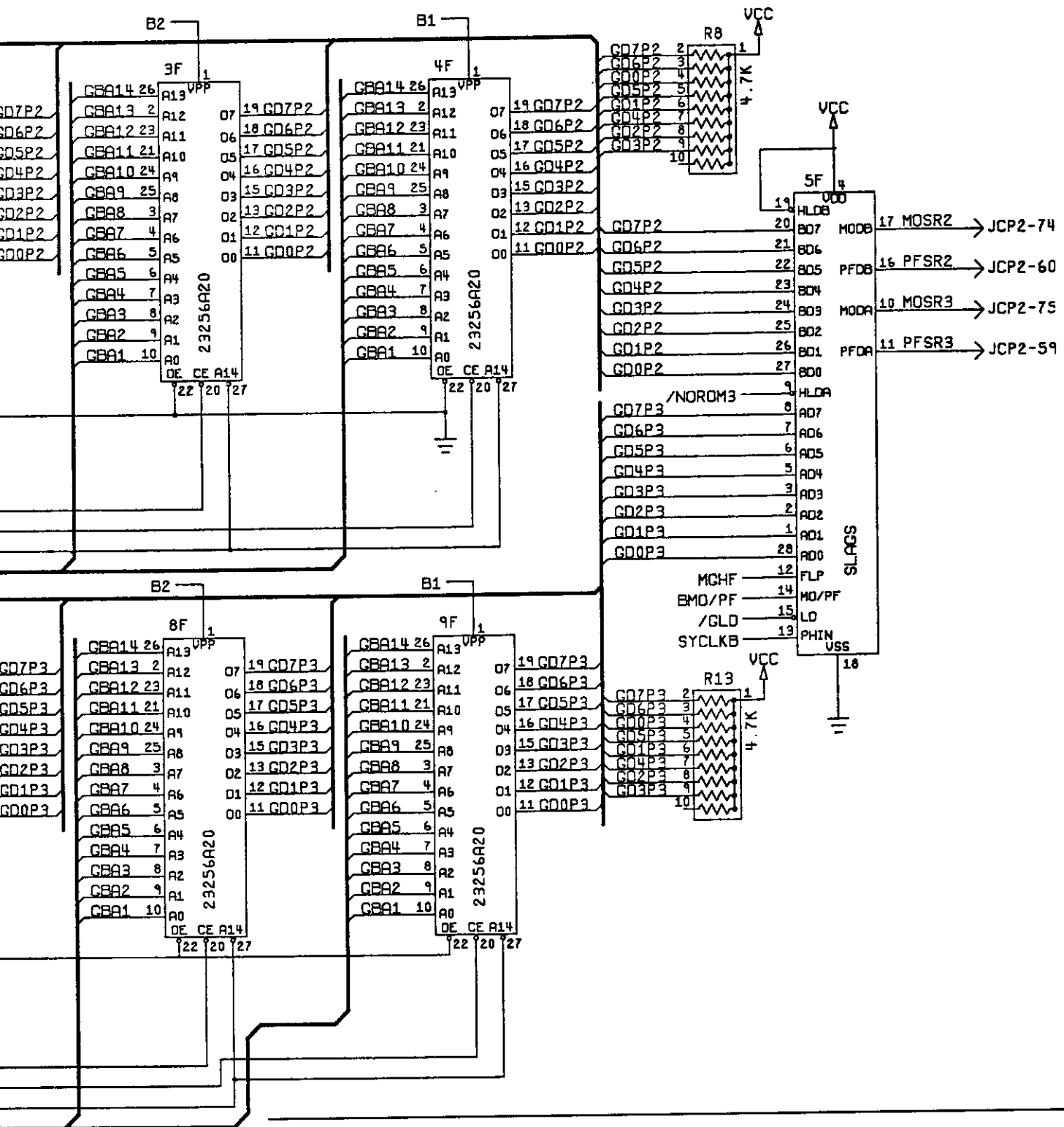
© 1987 Atari Games Corporation

SP-298 Sheet 15  
1st printing

SHT14







**NOTICE TO ALL PERSONS RECEIVING THIS DRAWING**

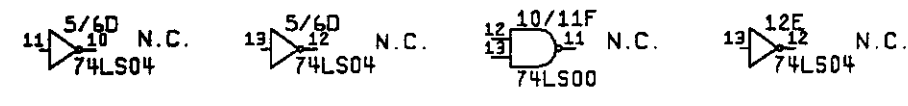
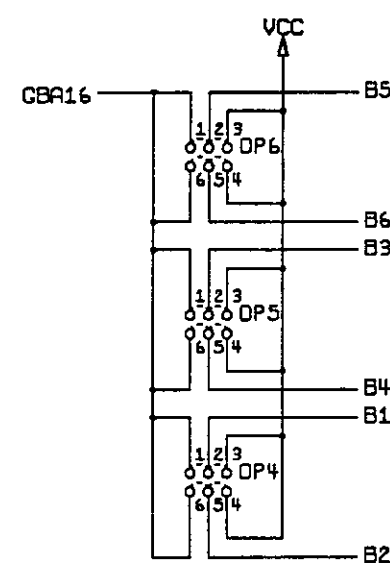
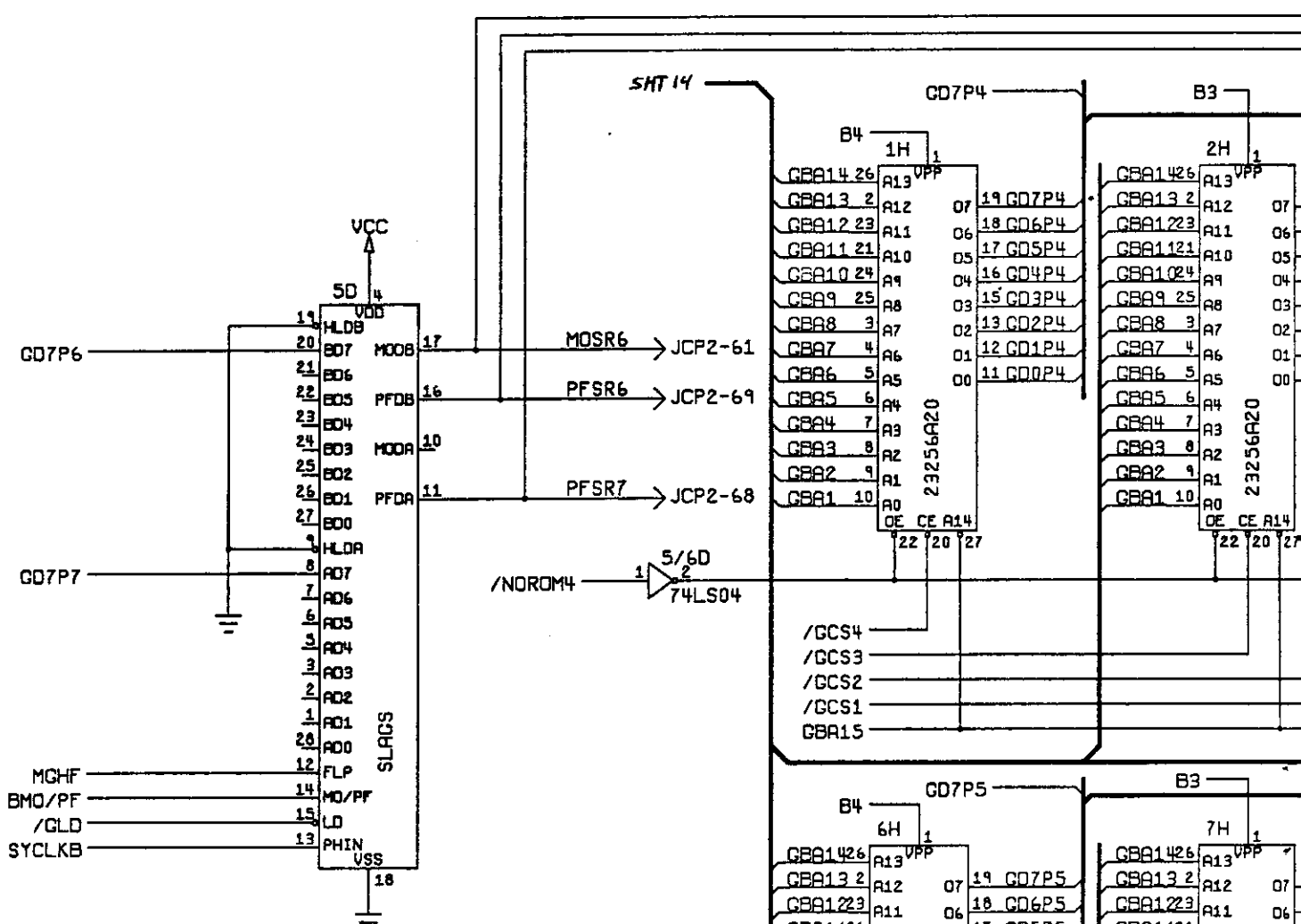
CONFIDENTIAL: Reproduction forbidden without the specific written permission of Atari Games Corporation, Milpitas, CA. This drawing is only conditionally issued, and neither receipt nor possession thereof confers or transfers any right in, or license to use, the subject matter of the drawing or any design or technical information shown thereon, nor any right to reproduce this drawing or any part thereof. Except for manufacture by vendors of Atari Games Corporation, and for manufacture under the corporation's written license, no right is granted to reproduce this drawing or the subject matter thereof, unless by written agreement with or written permission from the corporation.

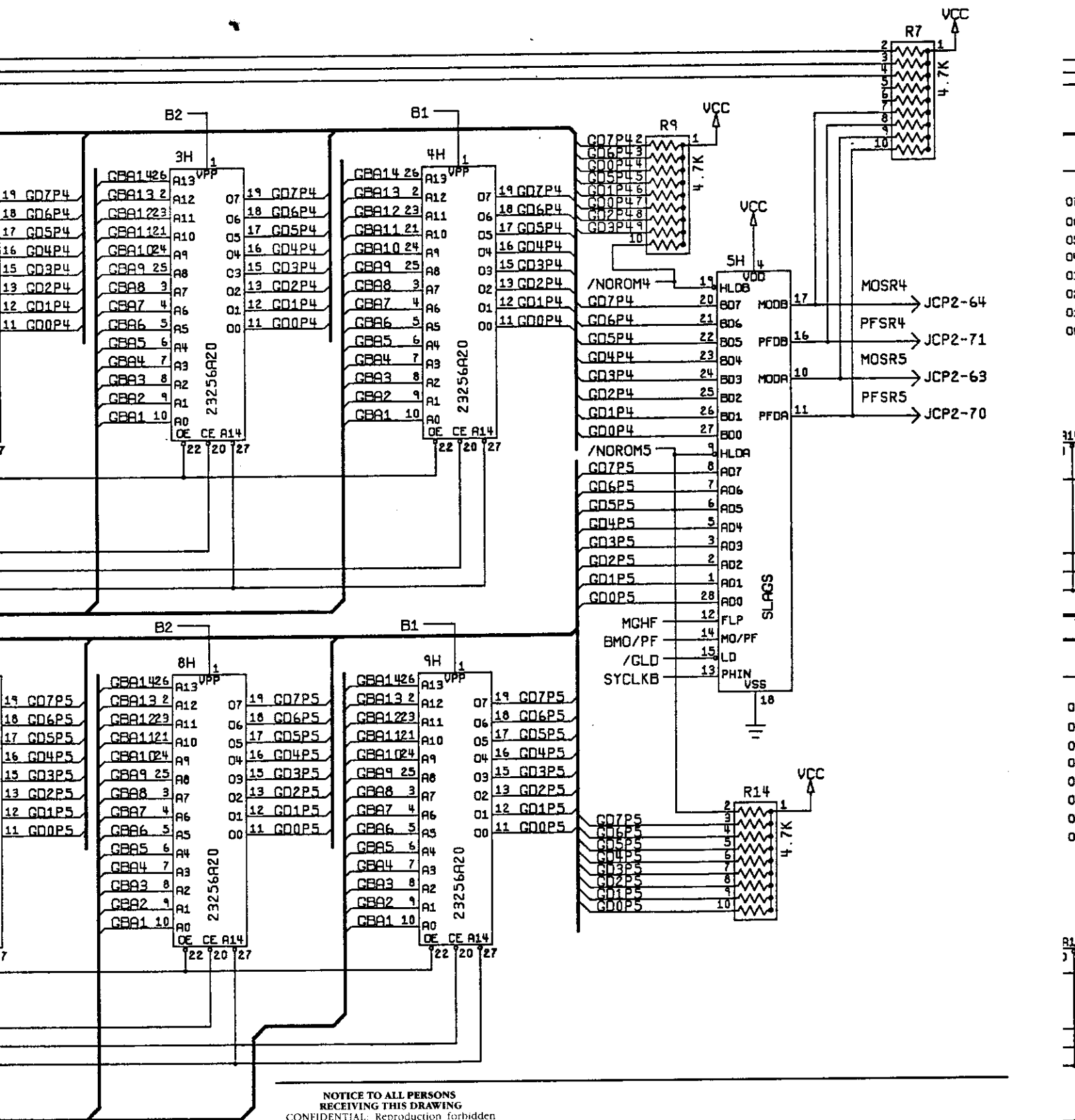
**Road Blasters™ /System I LSI Cartridge 4  
PCB Schematic Diagram**



© 1987 Atari Games Corporation

SP-298 Sheet 16  
1st printing





**NOTICE TO ALL PERSONS RECEIVING THIS DRAWING**

CONFIDENTIAL: Reproduction forbidden without the specific written permission of Atari Games Corporation, Milpitas, CA. This drawing is only conditionally issued, and neither receipt nor possession thereof confers or transfers any right in, or license to use, the subject matter of the drawing or any design or technical information shown thereon, nor any right to reproduce this drawing or any part thereof. Except for manufacture by vendors of Atari Games Corporation, and for manufacture under the corporation's written license, no right is granted to reproduce this drawing or the subject matter thereof, unless by written agreement with or written permission from the corporation.

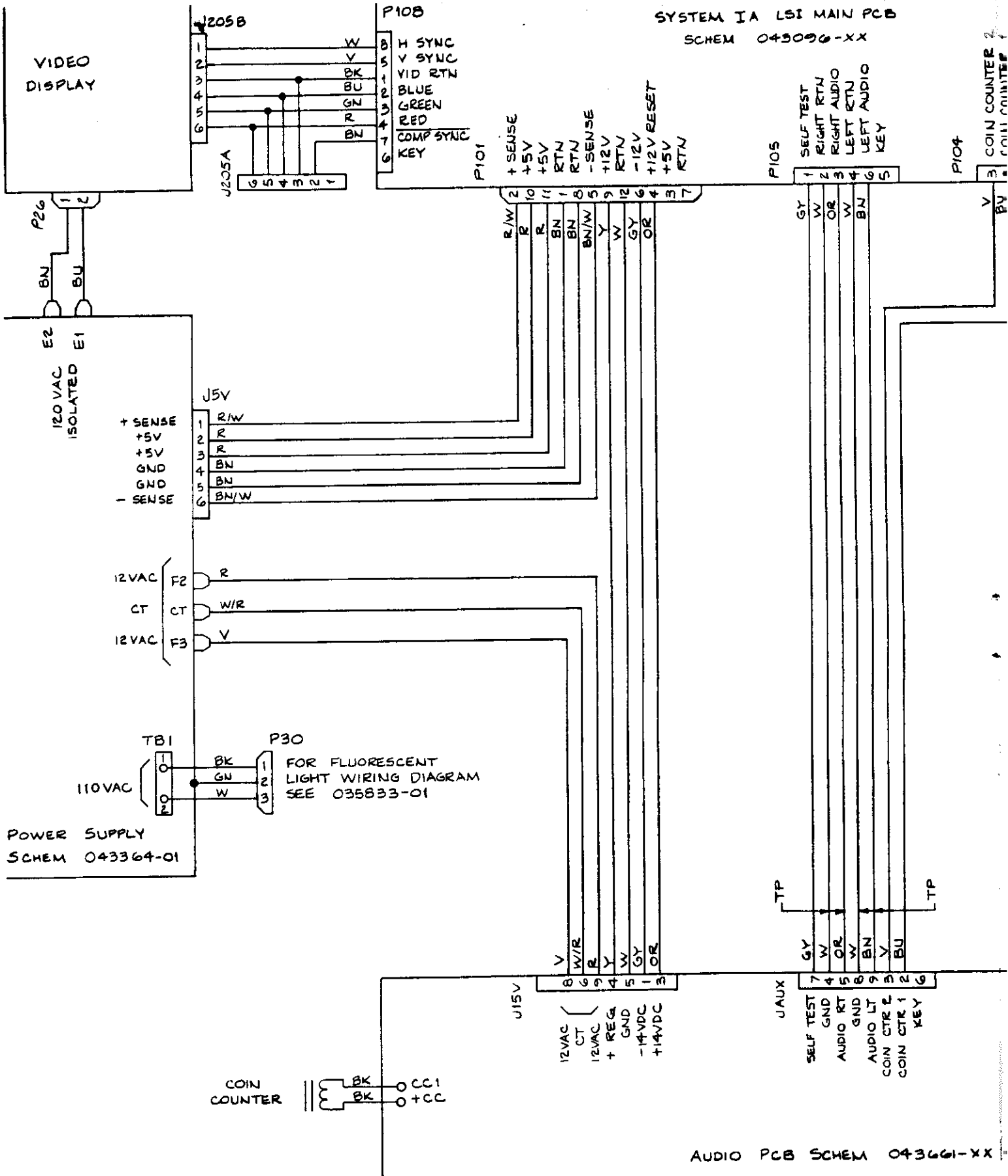
**Road Blasters™ /System I LSI Cartridge 4  
PCB Schematic Diagram**

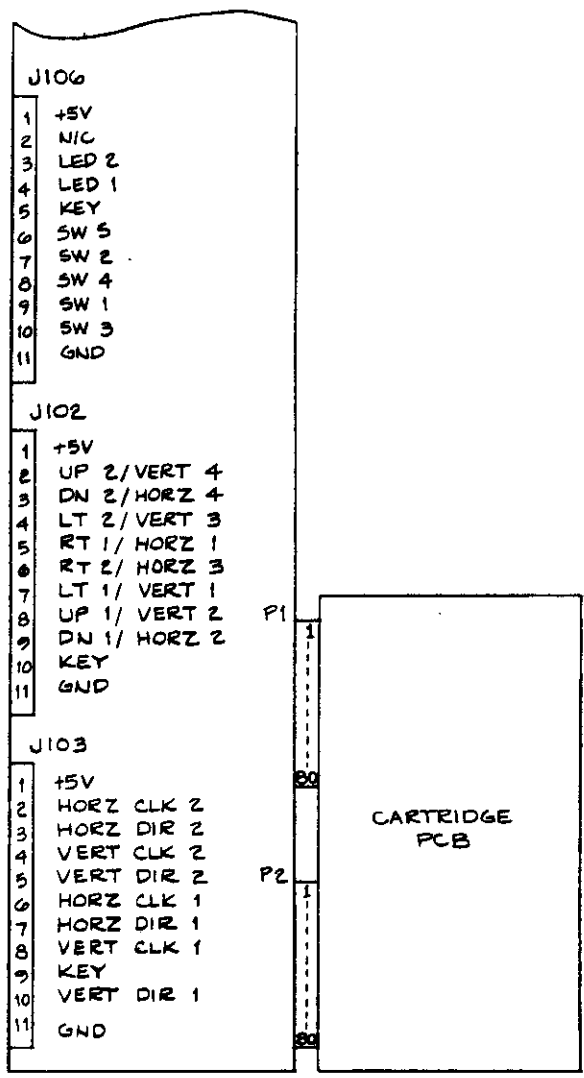
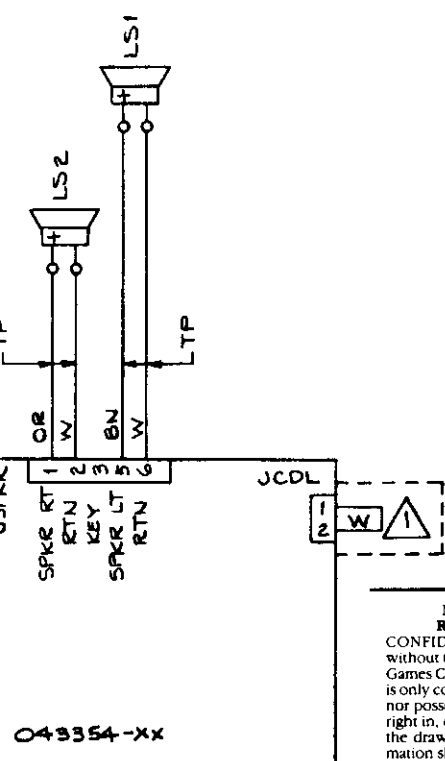
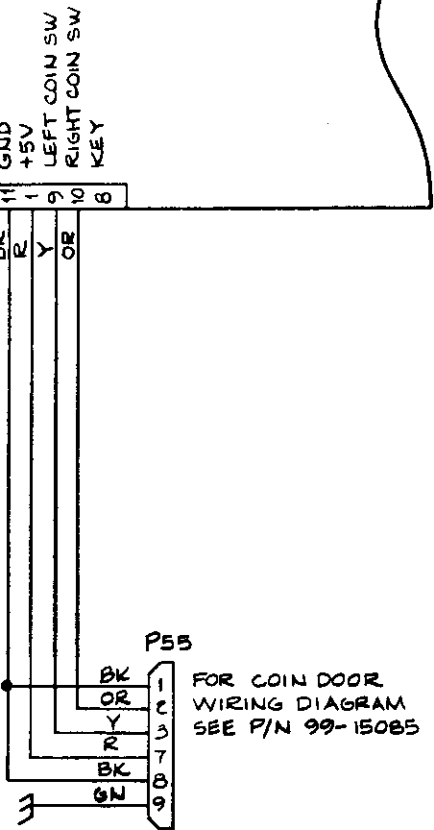


© 1987 Atari Games Corporation

SP-298 Sheet 17  
1st printing

SYSTEM IA LSI MAIN PCB  
SCHEM 043096-XX





**NOTE**  
 ⚠ USED WITH AUDIO PCB A043661-XX ONLY.

**NOTICE TO ALL PERSONS RECEIVING THIS DRAWING**  
 CONFIDENTIAL. Reproduction forbidden without the specific written permission of Atari Games Corporation, Milpitas, CA. This drawing is only conditionally issued, and neither receipt nor possession thereof confers or transfers any right in, or license to use, the subject matter of the drawing or any design or technical information shown thereon, nor any right to reproduce this drawing or any part thereof. Except for manufacture by vendors of Atari Games Corporation, and for manufacture under the corporation's written license, no right is granted to reproduce this drawing or the subject matter thereof, unless by written agreement with or written permission from the corporation.



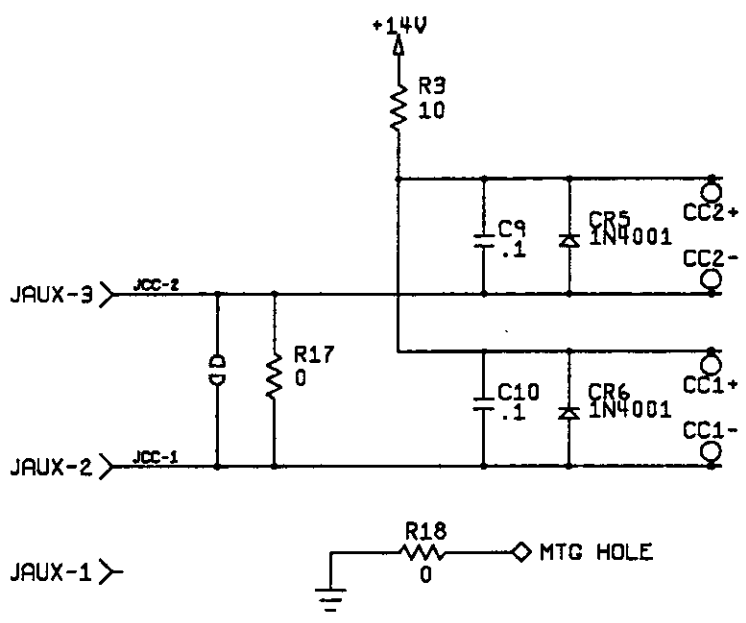
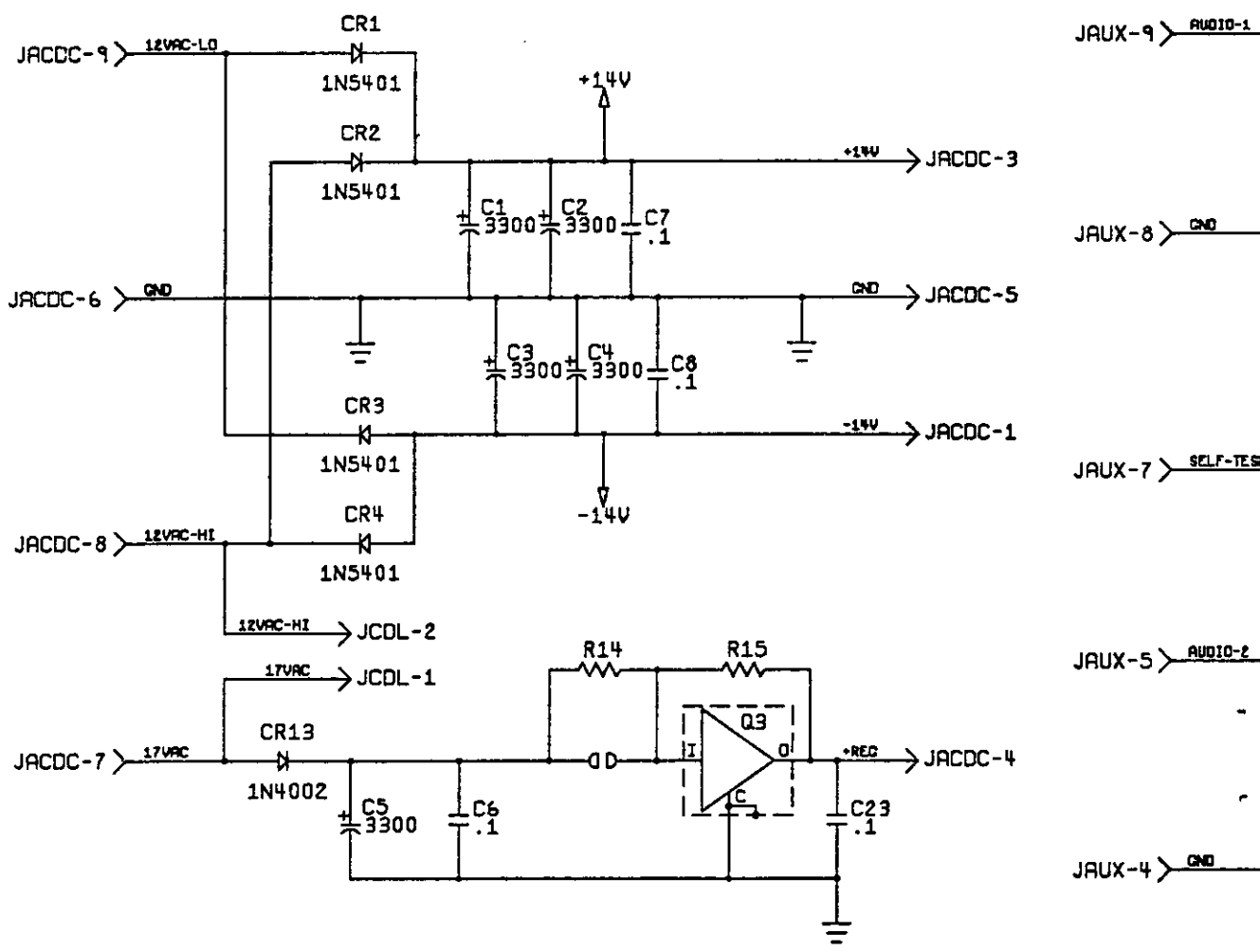
**Road Blasters™ /System I  
 Main Wiring Diagram**

© 1987 Atari Games Corporation

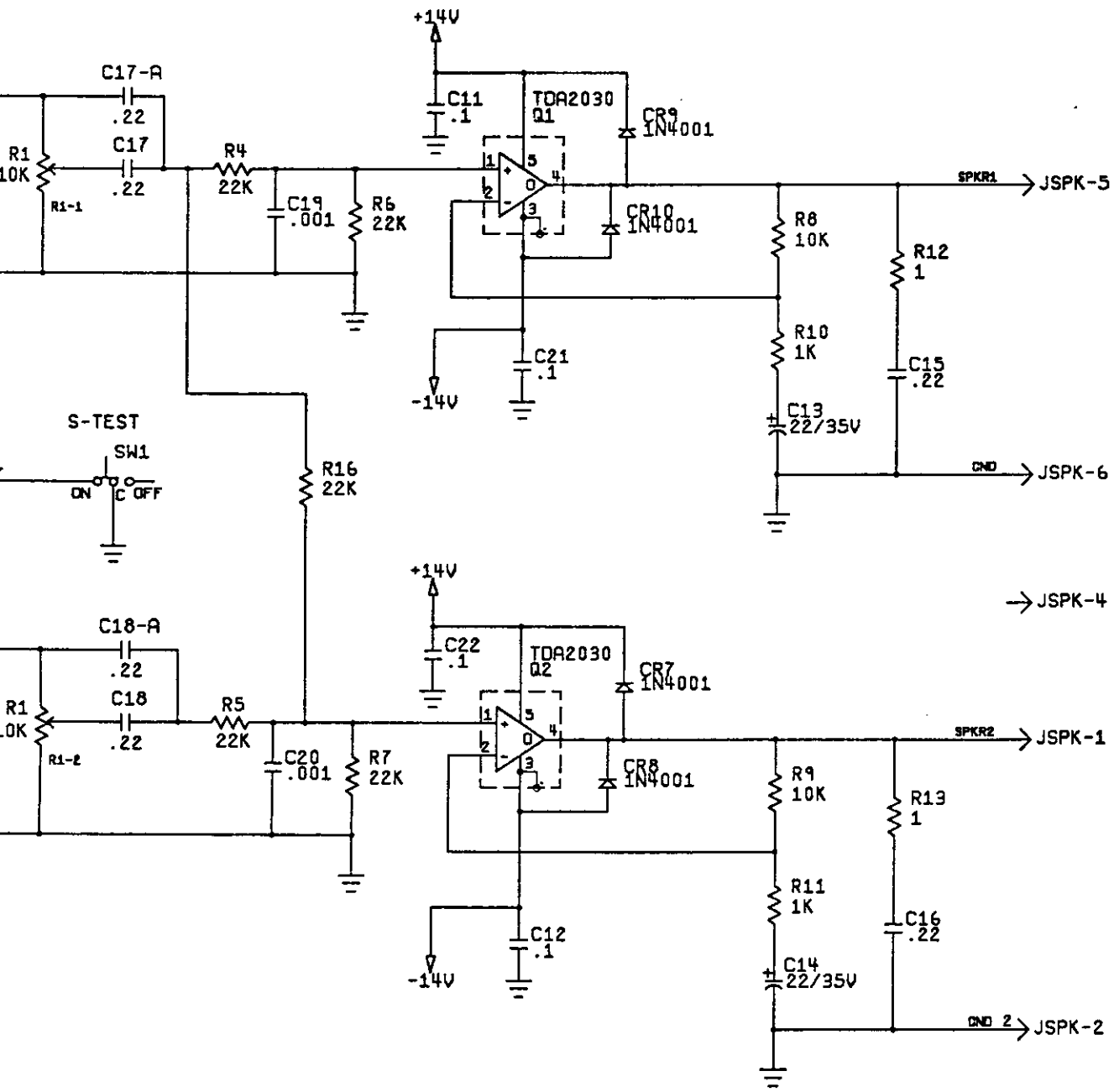
SP-298 Sheet 18  
 1st printing

043354-XX

BU 2 COIN COUNTER 1



NOTES:  
 SEE APPROPRIATE PARTS LIST FOR CORRECT PARTS  
 USED FOR EACH DASH VERSION.



CT COMPONENTS

**NOTICE TO ALL PERSONS RECEIVING THIS DRAWING**

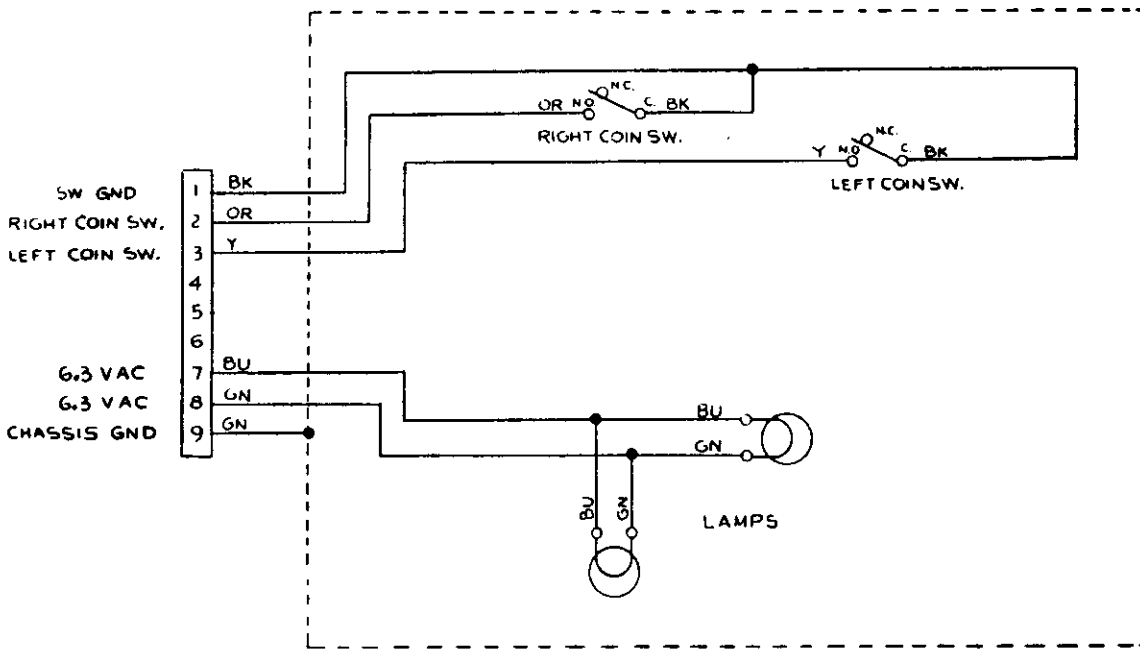
CONFIDENTIAL: Reproduction forbidden without the specific written permission of Atari Games Corporation, Milpitas, CA. This drawing is only conditionally issued, and neither receipt nor possession thereof confers or transfers any right in, or license to use, the subject matter of the drawing or any design or technical information shown thereon, nor any right to reproduce this drawing or any part thereof. Except for manufacture by vendors of Atari Games Corporation, and for manufacture under the corporation's written license, no right is granted to reproduce this drawing or the subject matter thereof, unless by written agreement with or written permission from the corporation.



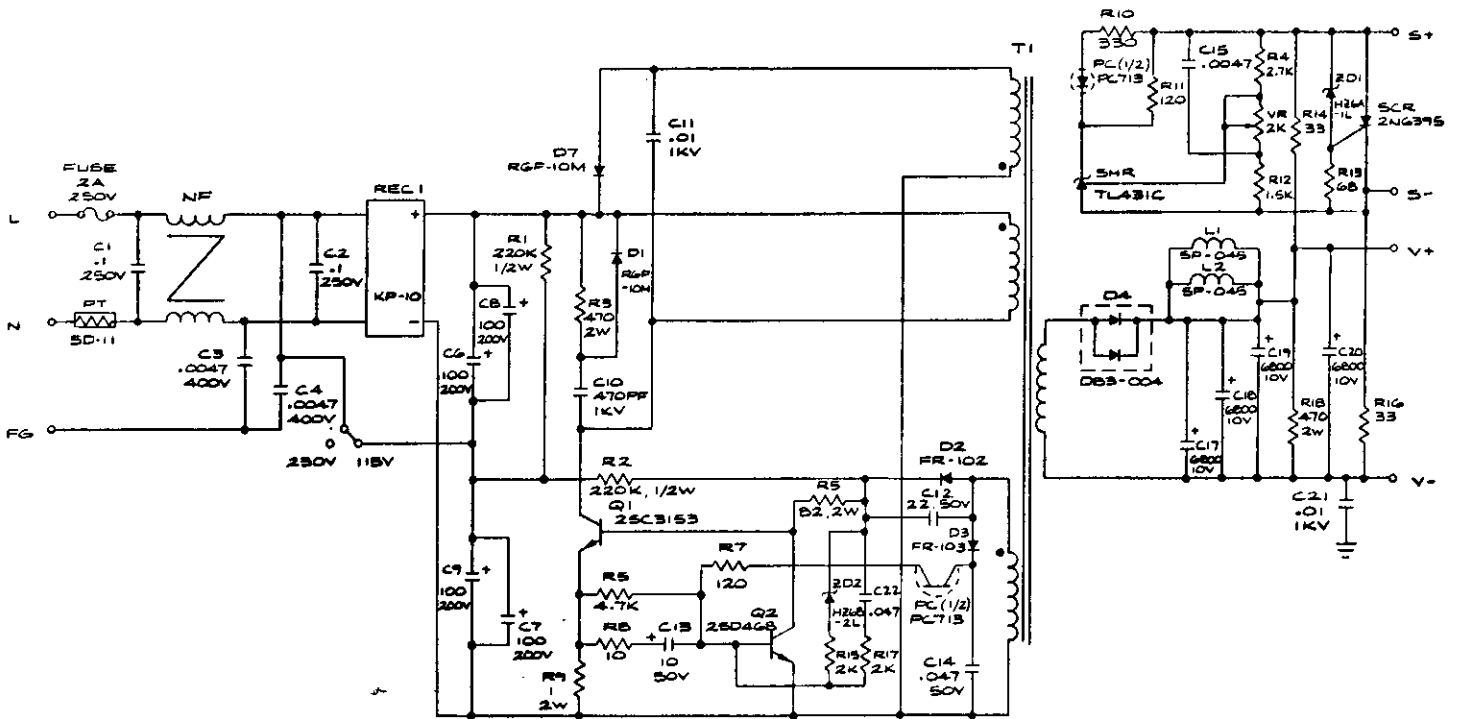
**Road Blasters™ Audio II  
PCB Schematic Diagram**

© 1987 Atari Games Corporation

SP-298 Sheet 19  
1st printing

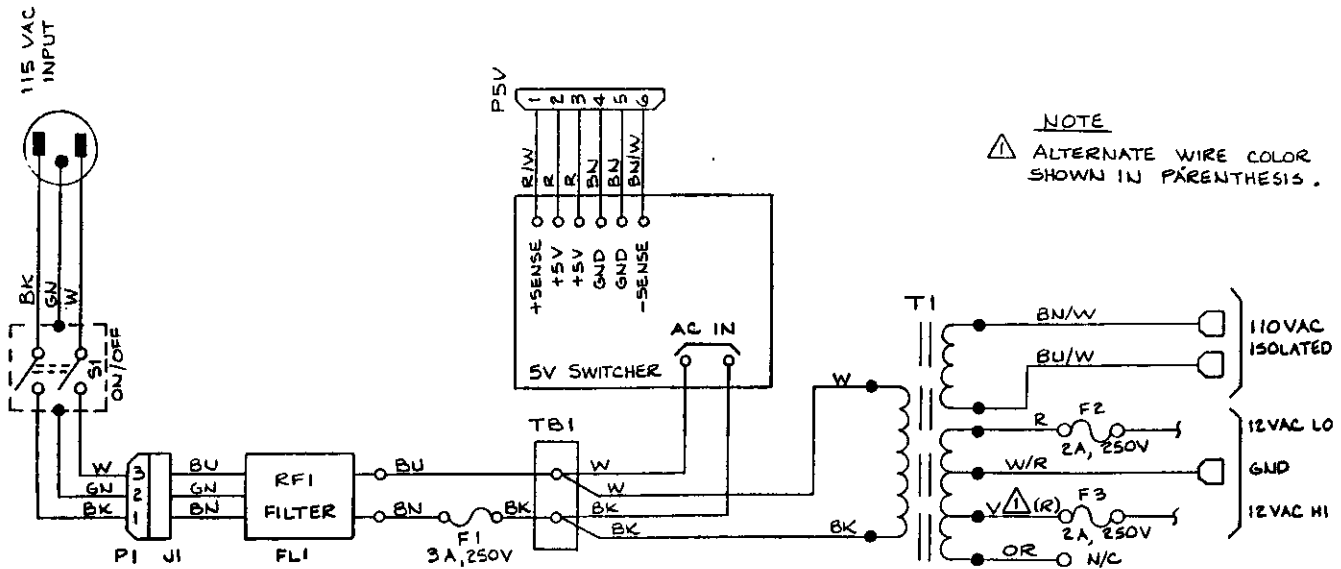


**Coin Door Wiring Diagram**

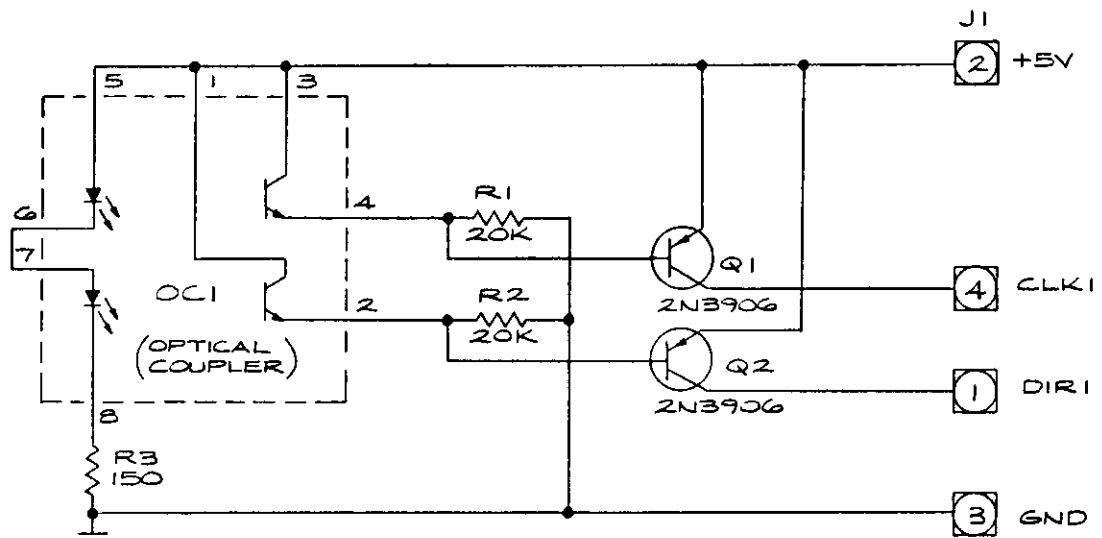


**Phihong 5V, 10A Switching Power Supply Wiring Diagram**





**Switching/Linear (SL) Power Supply  
Wiring Diagram**



**Coupler PCB Schematic Diagram  
(Mounted on RTC Steering Control)**

**NOTICE TO ALL PERSONS  
RECEIVING THIS DRAWING**

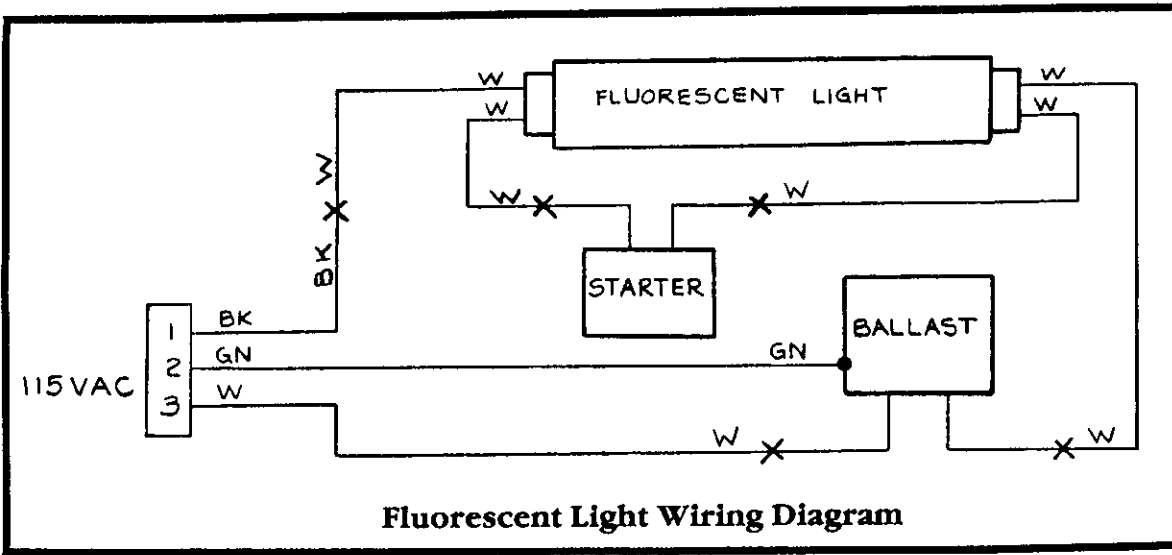
CONFIDENTIAL: Reproduction forbidden without the specific written permission of Atari Games Corporation, Milpitas, CA. This drawing is only conditionally issued, and neither receipt nor possession thereof confers or transfers any right in, or license to use, the subject matter of the drawing or any design or technical information shown thereon, nor any right to reproduce this drawing or any part thereof. Except for manufacture by vendors of Atari Games Corporation, and for manufacture under the corporation's written license, no right is granted to reproduce this drawing or the subject matter thereof, unless by written agreement with or written permission from the corporation.



**Wiring Diagrams for SL Power  
Supply, Coin Door, Phihong 5V 10A Power  
Supply, and Coupler PCB**

© 1987 Atari Games Corporation

SP-298 Sheet 20  
1st printing



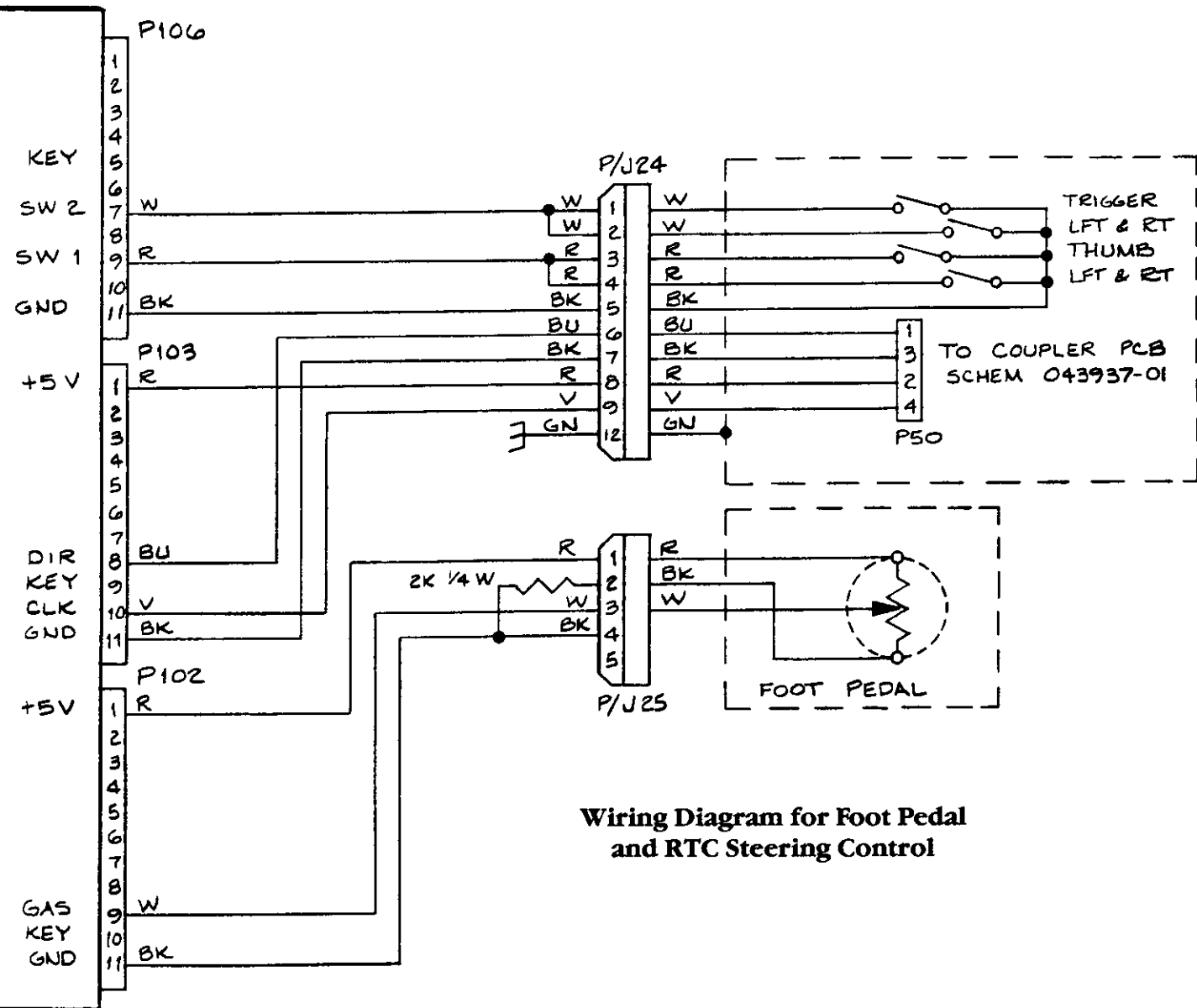
Fluorescent Light Wiring Diagram

(TRIGGER)

(THUMB)

SYSTEM I  
 TTL MAIN PCB  
 SCHEM 042854-XX

SYSTEM IA  
 LSI MAIN PCB  
 SCHEM 043096-XX



**Wiring Diagram for Foot Pedal and RTC Steering Control**

**NOTICE TO ALL PERSONS RECEIVING THIS DRAWING**

CONFIDENTIAL. Reproduction forbidden without the specific written permission of Atari Games Corporation, Milpitas, CA. This drawing is only conditionally issued, and neither receipt nor possession thereof confers or transfers any right in, or license to use, the subject matter of the drawing or any design or technical information shown thereon, nor any right to reproduce this drawing or any part thereof. Except for manufacture by vendors of Atari Games Corporation, and for manufacture under the corporation's written license, no right is granted to reproduce this drawing or the subject matter thereof, unless by written agreement with or written permission from the corporation.



**Wiring Diagrams for Foot Pedal, RTC Steering Control and Fluorescent Light**

© 1987 Atari Games Corporation

SP-298 Sheet 21  
1st printing



# Processor Memory Map

ADDRESS										READ/ WRITE	DATA BUS SIGNAL LINES														
A8	A7	A6	A5	A4	A3	A2	A1	A0		D15	D14	D13	D12	D11	D10	D9	D8	D7	D6	D5	D4	D3	D2	D1	D0
A	A	A	A	A	A	A	A	A	R	D	D	D	D	D	D	D	D	D	D	D	D	D	D	D	D
A	A	A	A	A	A	A	A	A	R/W	D	D	D	D	D	D	D	D	D	D	D	D	D	D	D	D
0	0	0	0	0	0	0	0	0	W							D	D	D	D	D	D	D	D	D	D
0	0	0	0	0	0	0	0	0	W							D	D	D	D	D	D	D	D	D	D
0	0	0	0	0	0	0	0	0	R								D	D	D	D	D	D	D	D	D
0	0	0	0	0	0	0	0	0	W							D									
0	0	0	0	0	0	0	0	0	W								D				D				
0	0	0	0	0	0	0	0	0	W											D					
0	0	0	0	0	0	0	0	0	W													D			
0	0	0	0	0	0	0	0	0	W														D		
0	0	0	0	0	0	0	0	0	W															D	
0	0	0	0	0	0	0	0	0	W																D
0	0	0	0	0	0	0	0	0	W																D
0	0	0	0	0	0	0	0	0	W																D
0	0	0	0	0	0	0	0	0	W																D
A	A	A	A	A	A	A	A	A	R/W	D	D	D	D	D	D	D	D	D	D	D	D	D	D	D	D
A	A	A	A	A	A	A	A	A	R/W	D	D	D	D	D	D	D	D	D	D	D	D	D	D	D	D
0	0	A	A	A	A	A	A	A	R/W	D	D	D	D	D	D	D	D	D	D	D	D	D	D	D	D
0	1	A	A	A	A	A	A	A	R/W	D	D	D	D	D	D	D	D	D	D	D	D	D	D	D	D
1	0	A	A	A	A	A	A	A	R/W	D	D	D	D	D	D	D	D	D	D	D	D	D	D	D	D
1	1	A	A	A	A	A	A	A	R/W	D	D	D	D	D	D	D	D	D	D	D	D	D	D	D	D
0	0	A	A	A	A	A	A	A	R/W	D	D	D	D	D	D	D	D	D	D	D	D	D	D	D	D
0	1	A	A	A	A	A	A	A	R/W	D	D	D	D	D	D	D	D	D	D	D	D	D	D	D	D
1	0	A	A	A	A	A	A	A	R/W	D	D	D	D	D	D	D	D	D	D	D	D	D	D	D	D
1	1	A	A	A	A	A	A	A	R/W	D	D	D	D	D	D	D	D	D	D	D	D	D	D	D	D
0	0	A	A	A	A	A	A	A	R/W	D	D	D	D	D	D	D	D	D	D	D	D	D	D	D	D
0	1	A	A	A	A	A	A	A	R/W	D	D	D	D	D	D	D	D	D	D	D	D	D	D	D	D
1	0	A	A	A	A	A	A	A	R/W	D	D	D	D	D	D	D	D	D	D	D	D	D	D	D	D
1	1	A	A	A	A	A	A	A	R/W	D	D	D	D	D	D	D	D	D	D	D	D	D	D	D	D
A	A	A	A	A	A	A	A	A	R/W	D	D	D	D	D	D	D	D	D	D	D	D	D	D	D	D
A	A	A	A	A	A	A	A	A	R/W	D	D	D	D	D	D	D	D	D	D	D	D	D	D	D	D
A	A	A	A	A	A	A	A	A	R/W	D	D	D	D	D	D	D	D	D	D	D	D	D	D	D	D
A	A	A	A	A	A	A	A	A	R/W	D	D	D	D	D	D	D	D	D	D	D	D	D	D	D	D
0	0	0	0	A	A	A	A	A	R/W	D	D	D	D	D	D	D	D	D	D	D	D	D	D	D	D
A	A	A	A	A	A	A	A	A	R								D	D	D	D	D	D	D	D	D
0	0	0	0	0	0	A	A	A	R								D	D	D	D	D	D	D	D	D
0	0	0	0	0	A	A	A	A	R								D	D	D	D	D	D	D	D	D
0	0	0	0	1	0	0	0	0	R																
0	0	0	0	0	0	0	0	0	R							D									
0	0	0	0	0	0	0	0	0	R								D								
0	0	0	0	0	0	0	0	0	R									D							
0	0	0	0	0	0	0	0	0	R										D						
0	0	0	0	0	0	0	0	0	R											D					
0	0	0	0	0	0	0	0	0	R												D				
0	0	0	0	0	0	0	0	0	R													D			
0	0	0	0	0	0	0	0	0	R														D		
0	0	0	0	0	0	0	0	0	R															D	
0	0	0	0	0	0	0	0	0	W															D	
0	0	0	0	0	0	0	0	0	W															D	

**NOTICE TO ALL PERSONS RECEIVING THIS DRAWING**  
 CONFIDENTIAL: Reproduction forbidden without the specific written permission of Atari Games Corporation, Milpitas, CA. This drawing is only conditionally issued, and neither receipt nor possession thereof confers or transfers any right in, or license to use, the subject matter of the drawing or any design or technical information shown thereon, nor any right to reproduce this drawing or any part thereof. Except for manufacture by vendors of Atari Games Corporation, and for manufacture under the corporation's written license, no right is granted to reproduce this drawing or the subject matter thereof, unless by written agreement with or written permission from the corporation.



## Road Blasters™ Video Microprocessor Memory Map



# Processor Memory Map

SIGNAL LINES								READ/ WRITE	DATA BUS SIGNAL LINES							
A7	A6	A5	A4	A3	A2	A1	A0		D7	D6	D5	D4	D3	D2	D1	D0
A	A	A	A	A	A	A	A	R/W	D	D	D	D	D	D	D	D
A	A	A	A	A	A	A	A	R/W	D	D	D	D	D	D	D	D
0	0	0	0	0	0	0	A	R/W	D	D	D	D	D	D	D	D
0	0	0	1	0	0	0	0	R	D	D	D	D	D	D	D	D
0	0	0	1	0	0	0	0	W	D	D	D	D	D	D	D	D
0	0	1	0	0	0	0	0	R	D							
0	0	0	1	0	0	0	0	R			D					
0	0	0	1	0	0	0	0	R				D				
0	0	0	1	0	0	0	0	R					D			
0	0	0	1	0	0	0	0	R						D		D
0	0	1	0	0	0	0	0	W								D
0	0	1	0	0	1	0	0	W								D
0	0	1	0	0	1	0	1	W								D
0	0	1	0	0	1	1	0	W								D
0	0	1	0	0	1	1	1	W								D
0	1	1	1	A	A	A	A	R/W	D	D	D	D	D	D	D	D
A	A	A	A	A	A	A	A	R	D	D	D	D	D	D	D	D

**NOTICE TO ALL PERSONS  
RECEIVING THIS DRAWING**

CONFIDENTIAL. Reproduction forbidden without the specific written permission of Atari Games Corporation, Milpitas, CA. This drawing is only conditionally issued, and neither receipt nor possession thereof confers or transfers any right in, or license to use, the subject matter of the drawing or any design or technical information shown thereon, nor any right to reproduce this drawing or any part thereof. Except for manufacture by vendors of Atari Games Corporation, and for manufacture under the corporation's written license, no right is granted to reproduce this drawing or the subject matter thereof, unless by written agreement with or written permission from the corporation.



**Road Blasters™ I/O and Sound  
Microprocessor Memory Map**

# Table of Contents

Road Blasters™/System I LSI Main PCB Schematic Diagrams	Sheet 1-10
Road Blasters/System I LSI Cartridge 4 PCB Schematic Diagrams	Sheet 11-17
Road Blasters/System I Main, Wiring Diagram	Sheet 18
Road Blasters Audio II PCB Schematic Diagram	Sheet 19
Wiring Diagrams for SL Power Supply, Coin Door, PhiHong 5V 10A Power Supply, and Coupler PCB	Sheet 20
Wiring Diagram for Foot Pedal, RTC Steering Control and Fluorescent Light	Sheet 21
Road Blasters Video Microprocessor Memory Map	Sheet 22
Road Blasters I/O and Sound Microprocessor Memory Map	Sheet 23

\*If your game or kit has a *Cartridge 3* PCB Assembly, you can get a free copy of the schematic diagrams for that board from Atari Games Customer Service. Contact:

## United States

Atari Games Corporation  
California Customer Service Office  
737 Sycamore Drive  
P.O. Box 361110  
Milpitas, CA 95035

**Fax (408) 434-3945**

**Telex 5101007850**

(Monday-Friday, 7:30-4:00 pm Pacific Time)



**(408) 434-3950**

## Europe

Atari Games Ireland Limited  
European Customer Service Office  
Tipperary Town, Ireland

**Fax 062-51702**

**Telex 28165**

(Monday-Friday, 9:00-5:30 pm GMT)



**062-52155**