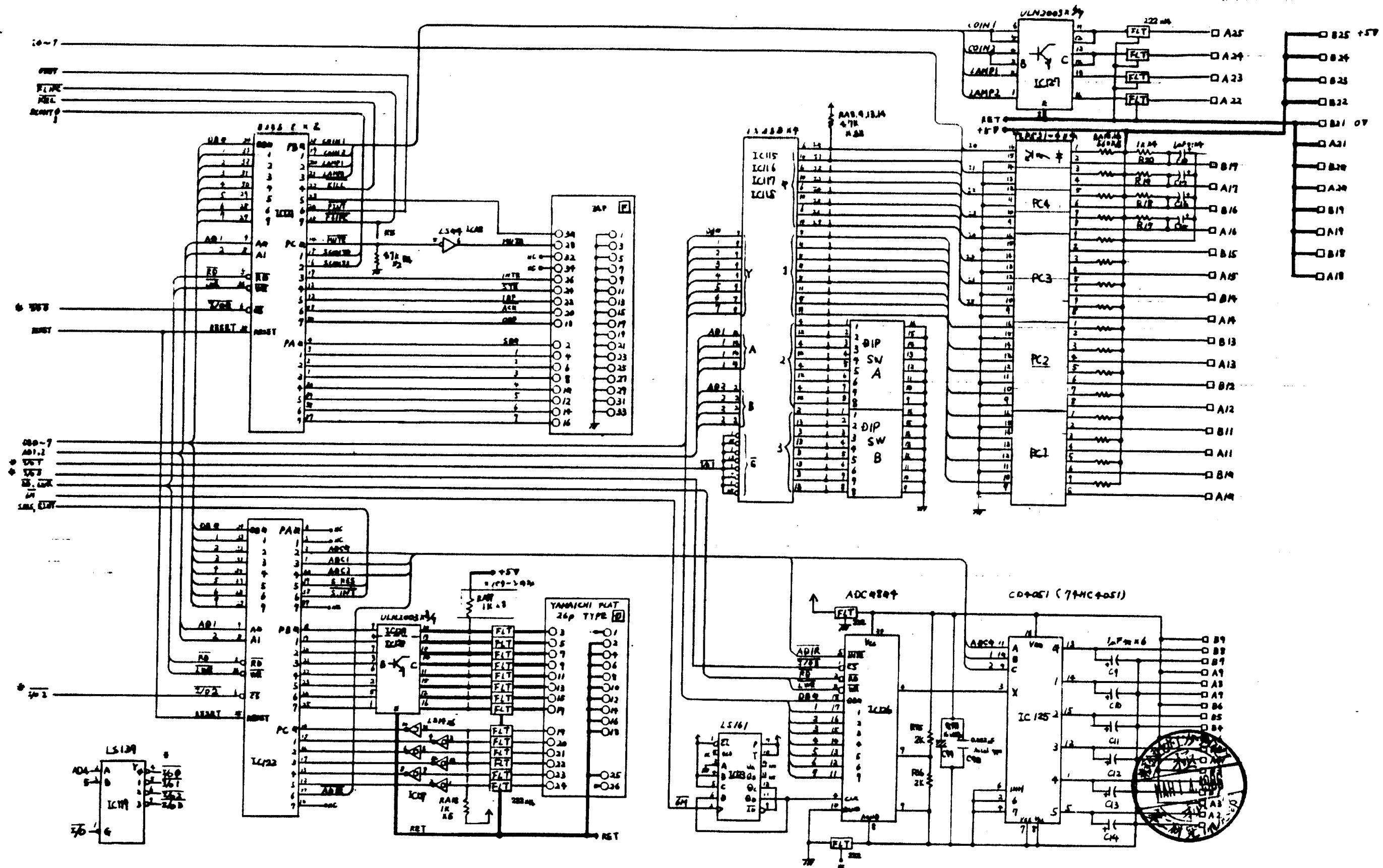


171-539  
834-577  
ASSY CPU BOARD RH V6  
SPACE HARRIER  
ENDURO



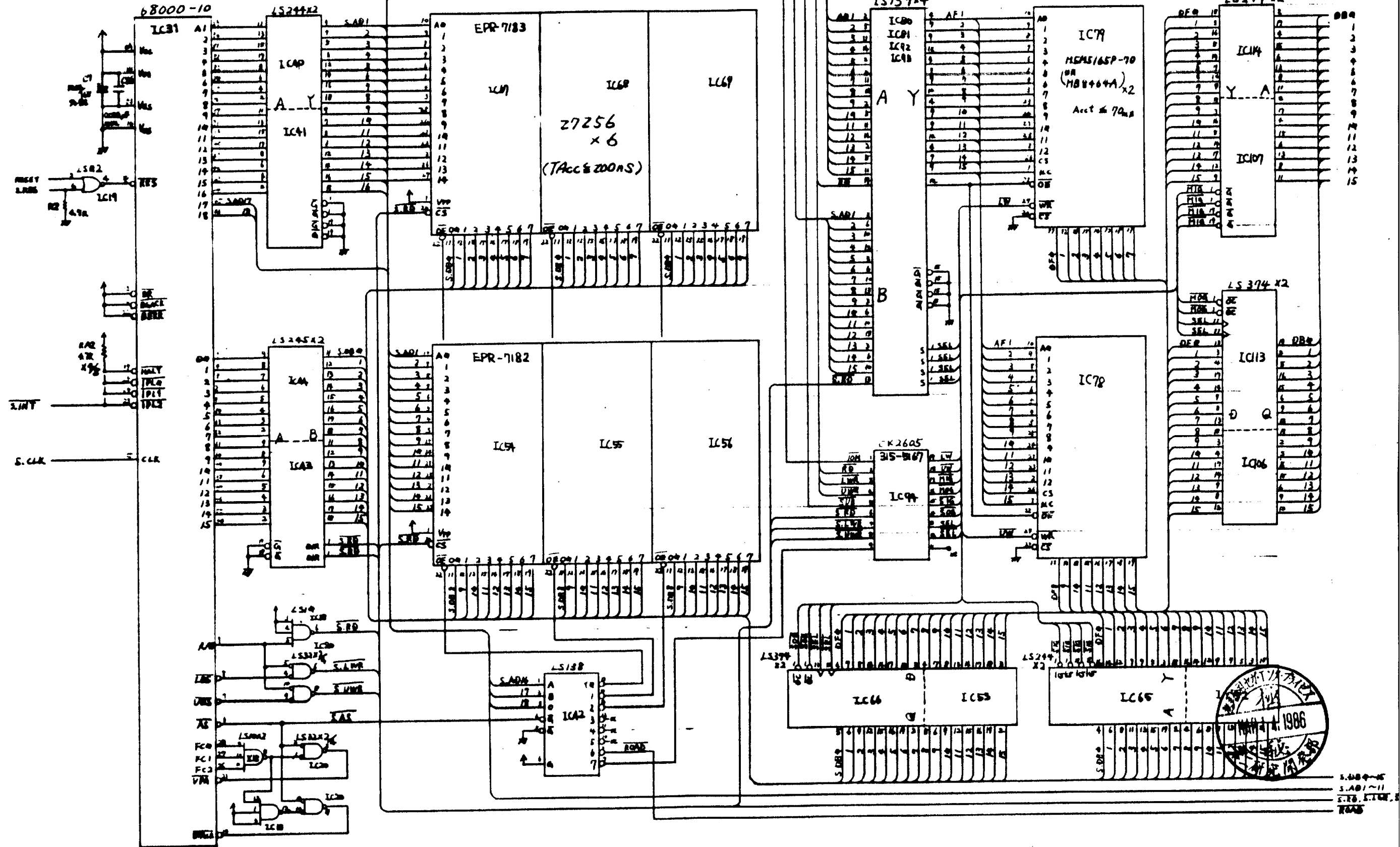


171-5319  
834-5797

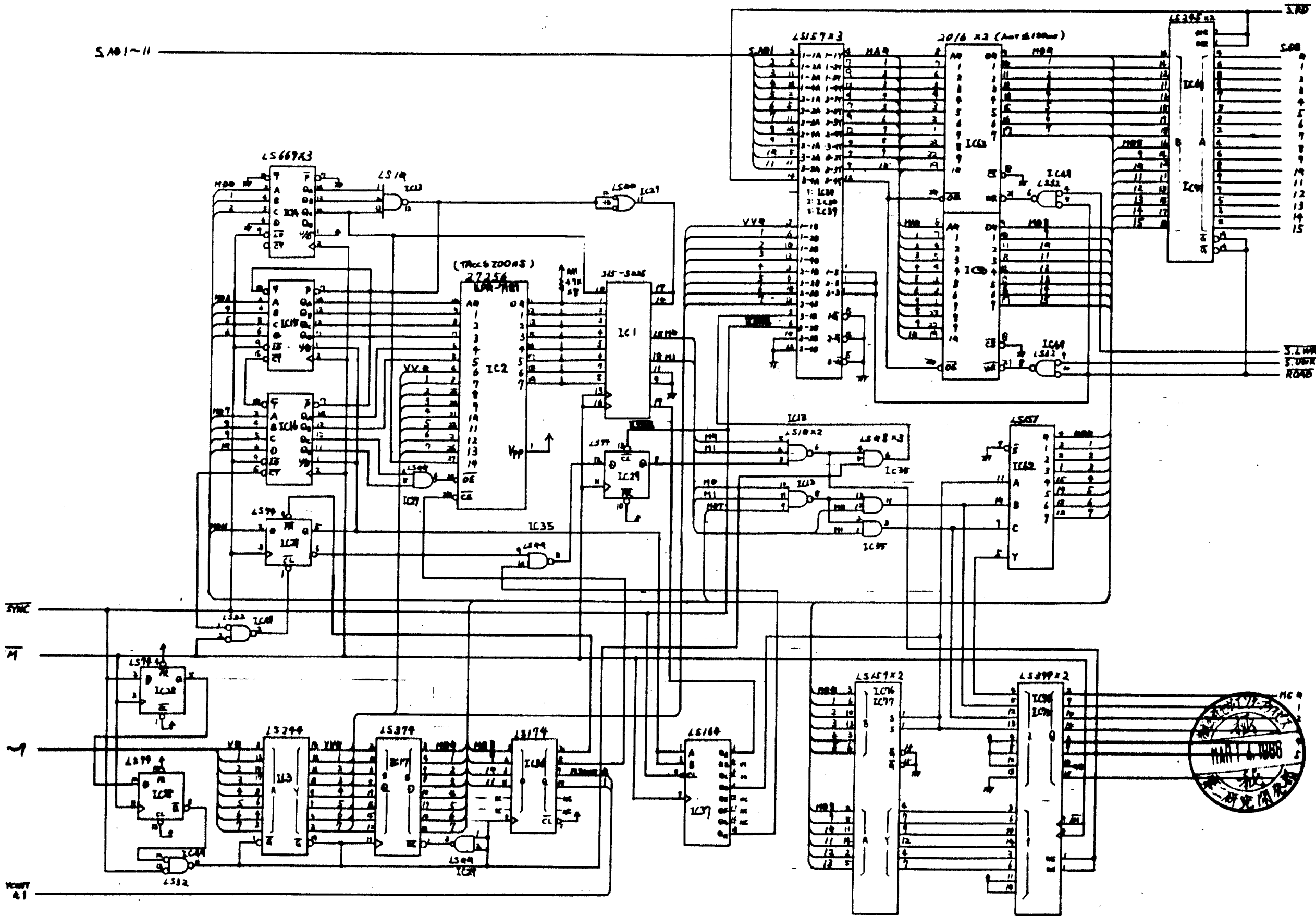
SPACE HARRIER ASSY CPU BOARD RH

3/6

77  
Kei V20



5A01-11

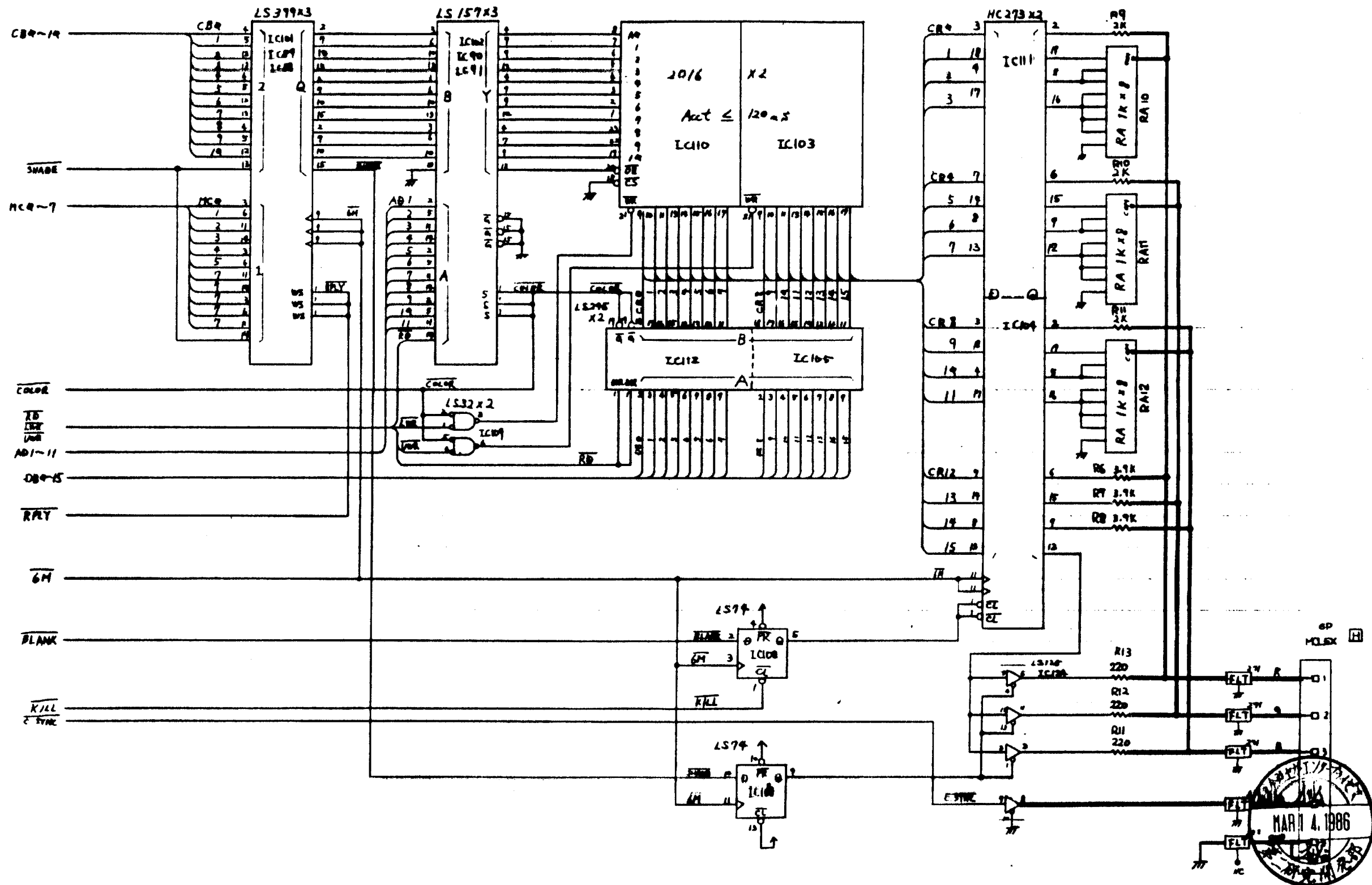


171-5314  
834-5797  
SPACE HARRIER ASSY CPU BOARD RH

4/6

W  
Lei 423-86  
TBT



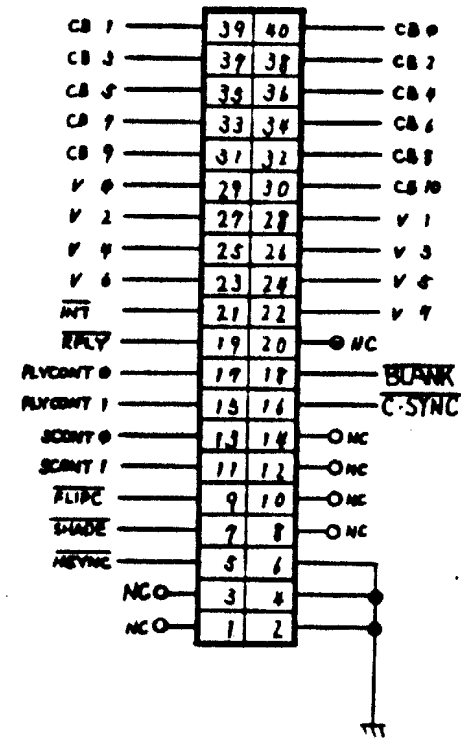


171-5319  
 854-5797  
 SPACE HARRIER ASSY CPU BOARD RH

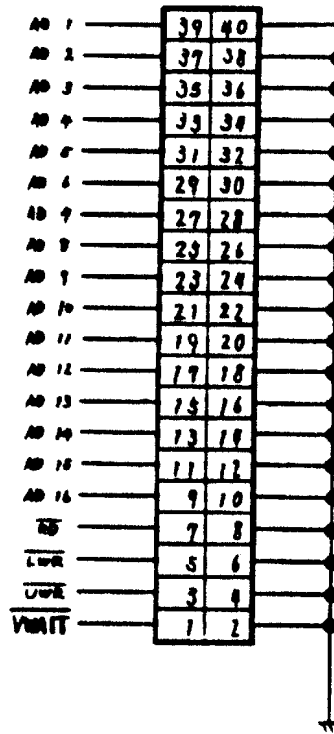
5/6

Li 10-86  
 754

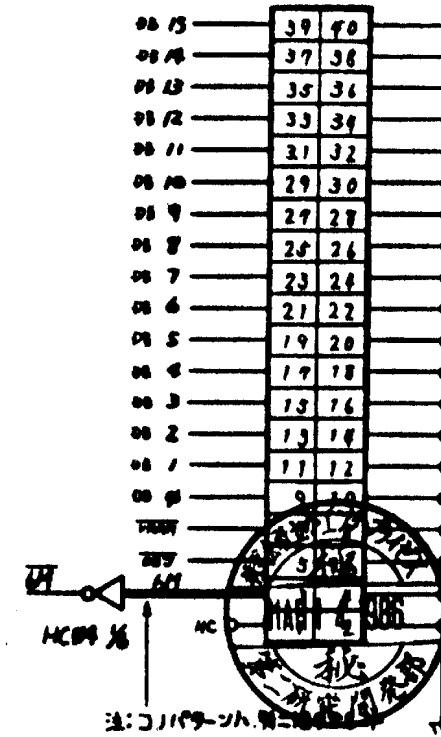
A



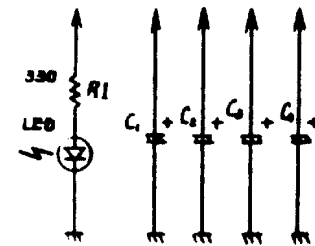
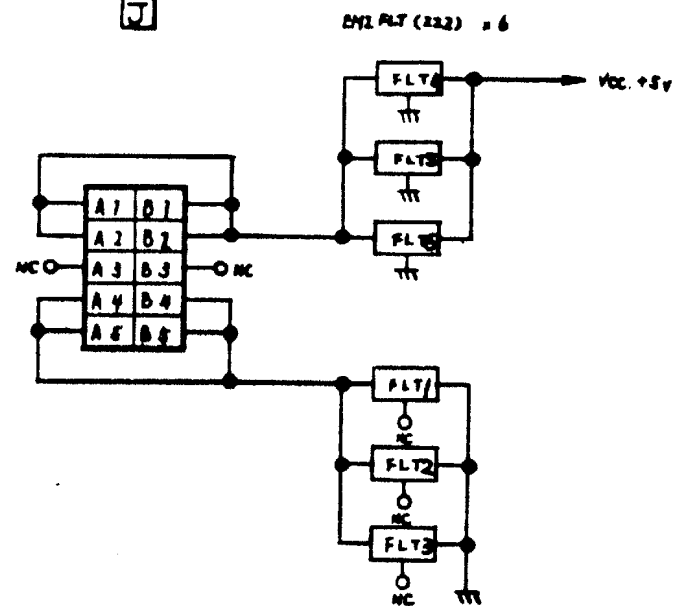
B



C

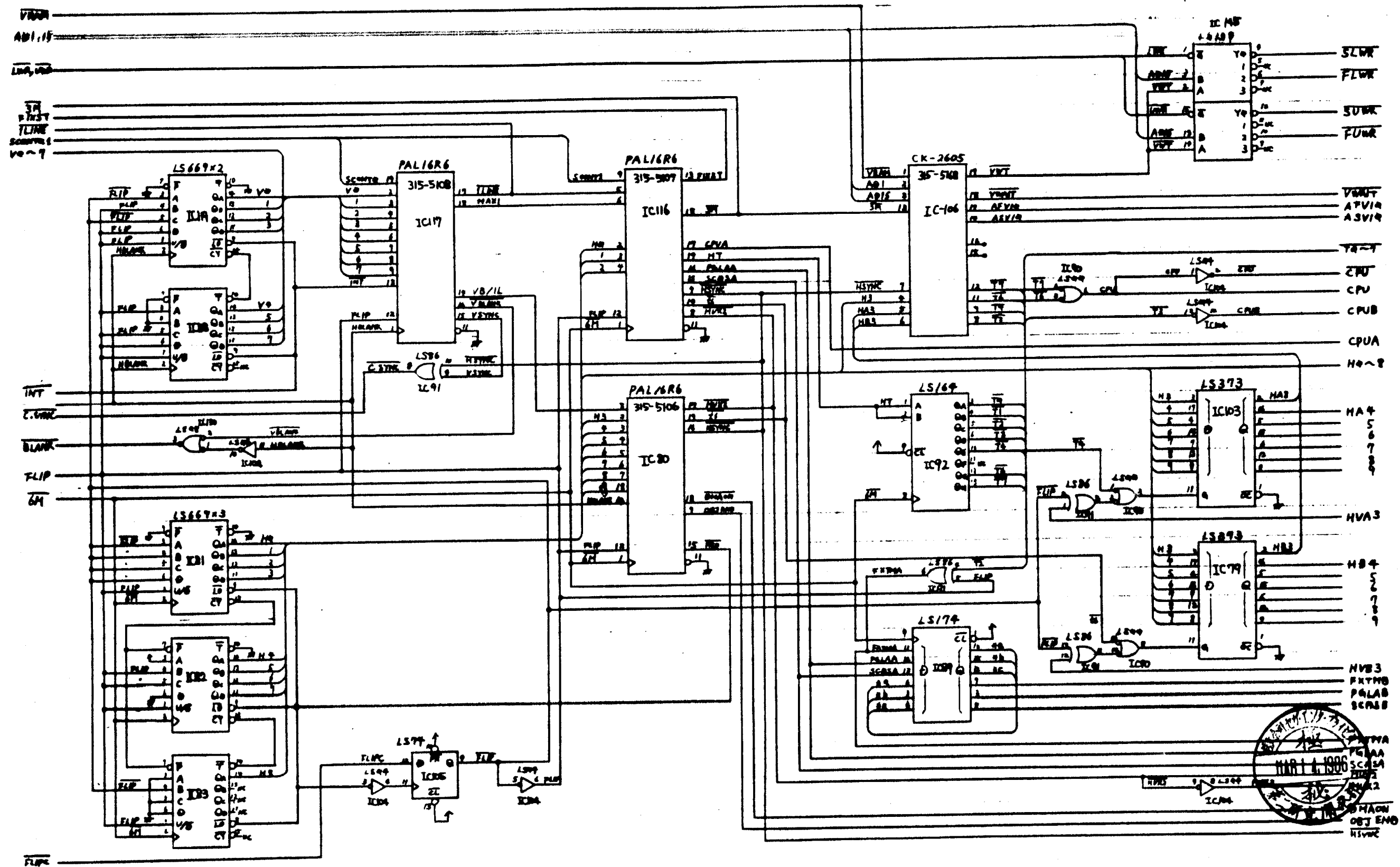


J

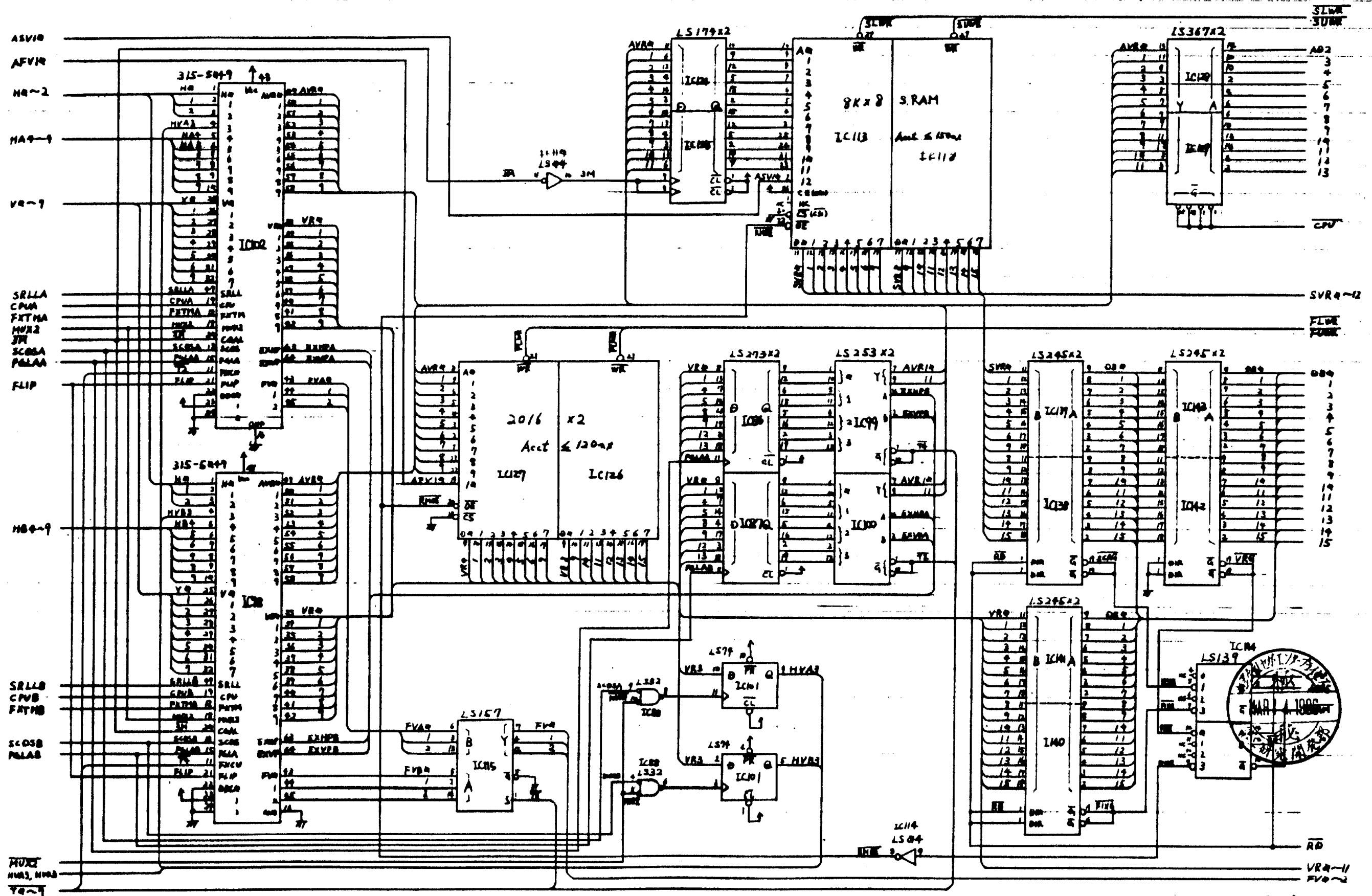


3.30V/16V  
4227 x 4  
注: 本機/回路=2.12V

17-530  
830-5777  
1/23-86  
72



171-5320  
 834-5798  
 SPACE HARRIER ASSY CONTROL BOARD RH *1/7* *Feb 1983-86*  
*FEJ*

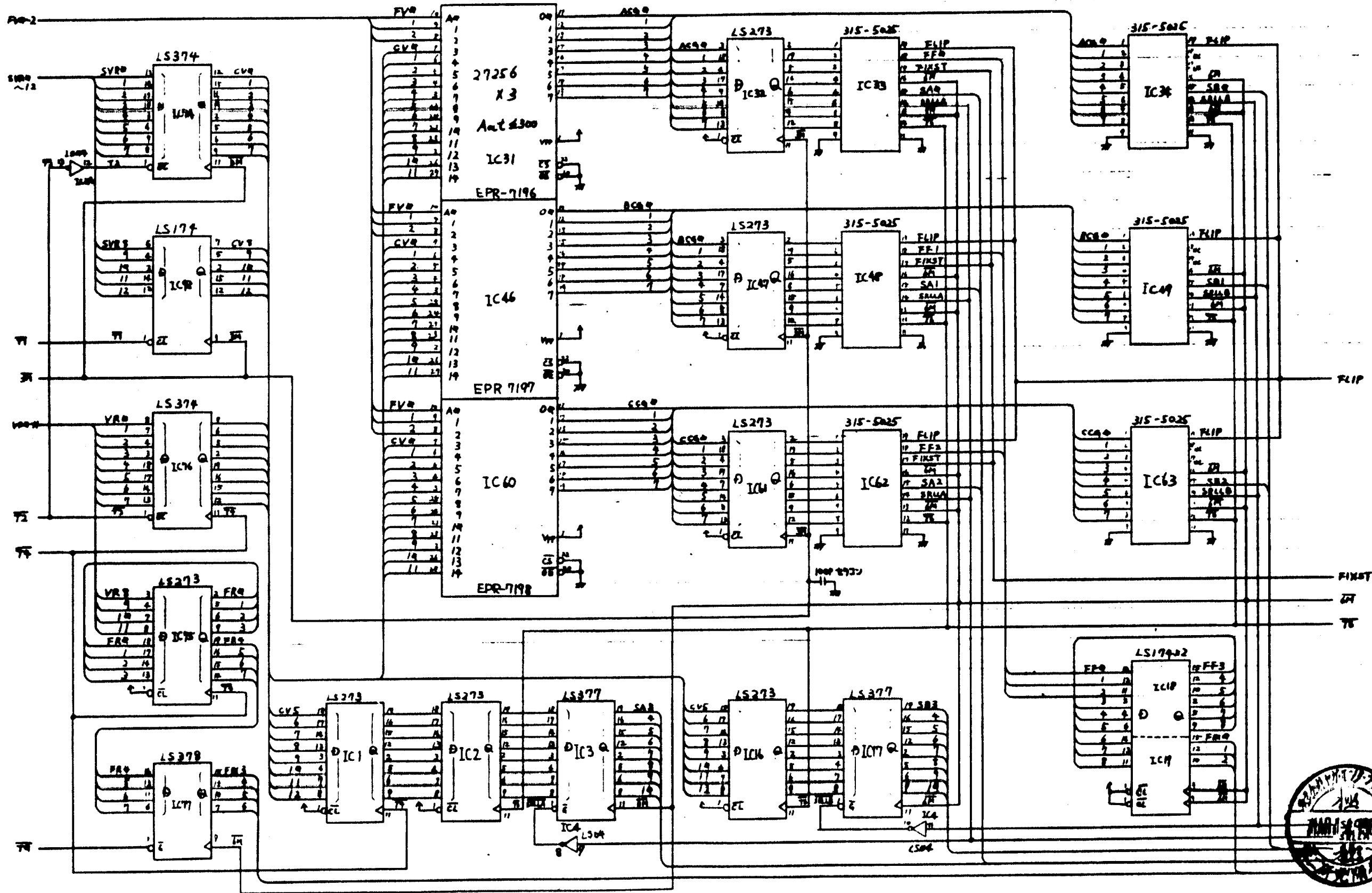


171-5320  
834-5798

SPACE HARRIER ASSY CONTROL BOARD RH 34

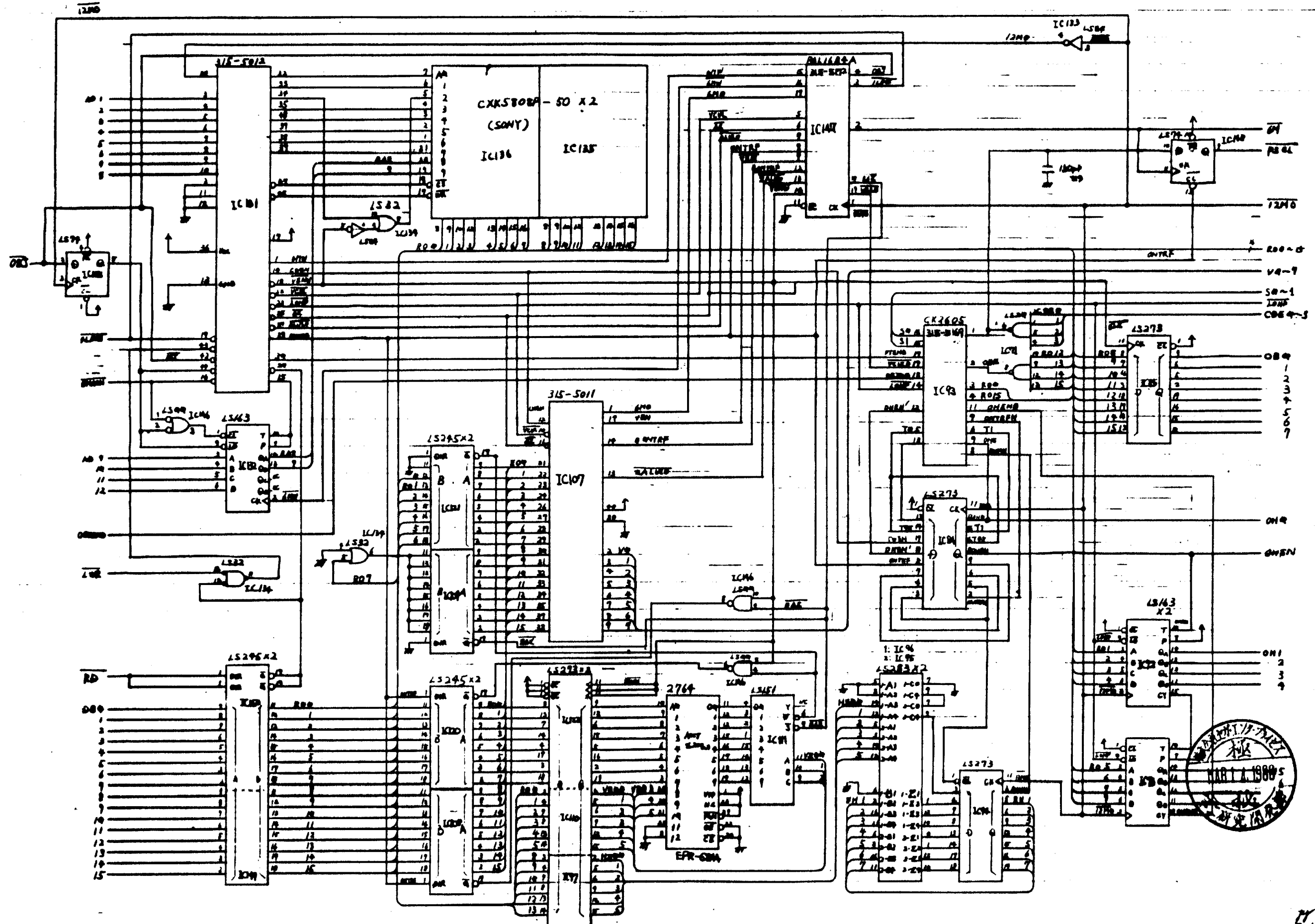
*Li Ye*  
*林*





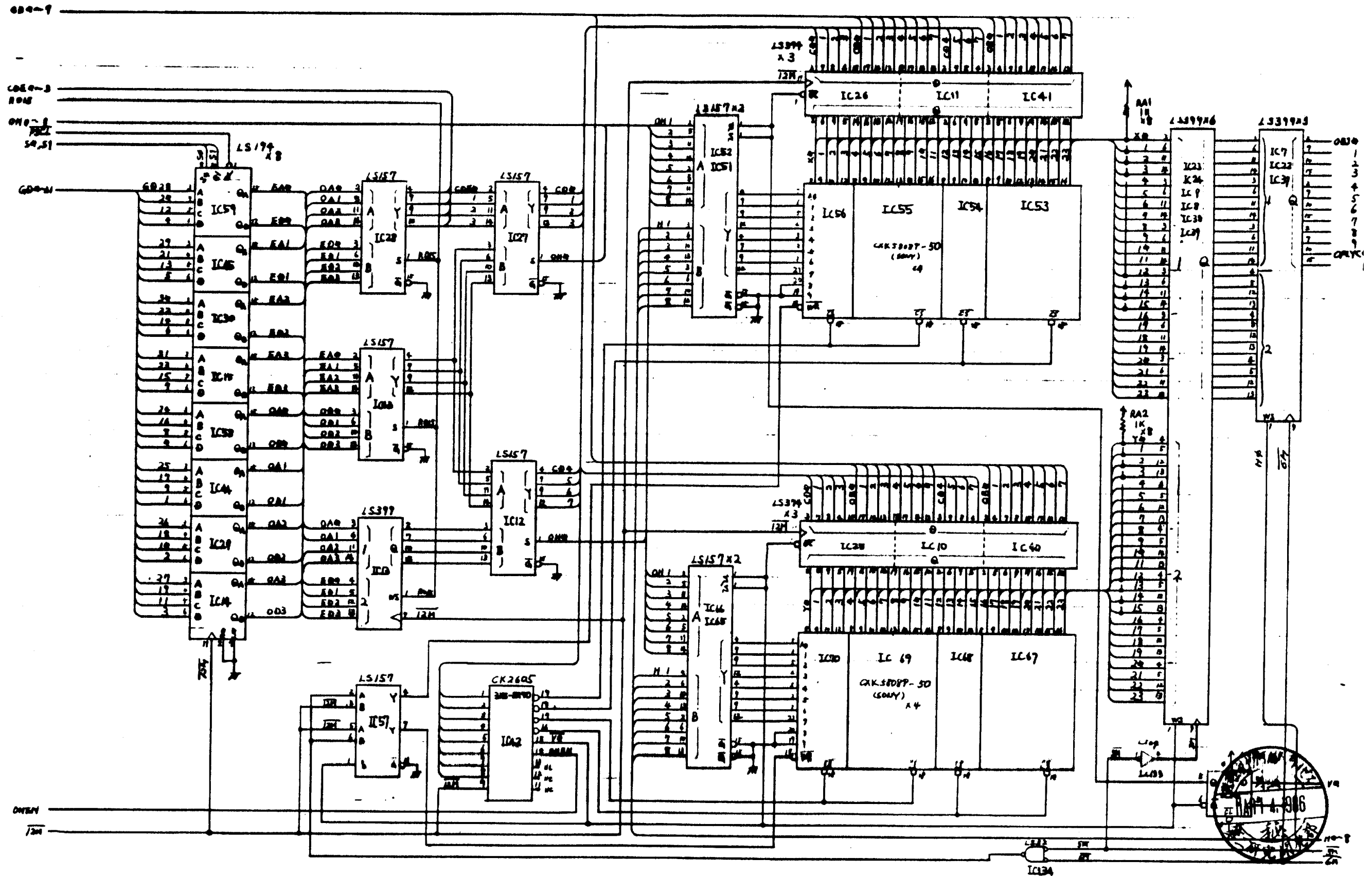
171-5320  
834-5798  
SPACE HARRIER ASSY CONTROL BOARD RH 34

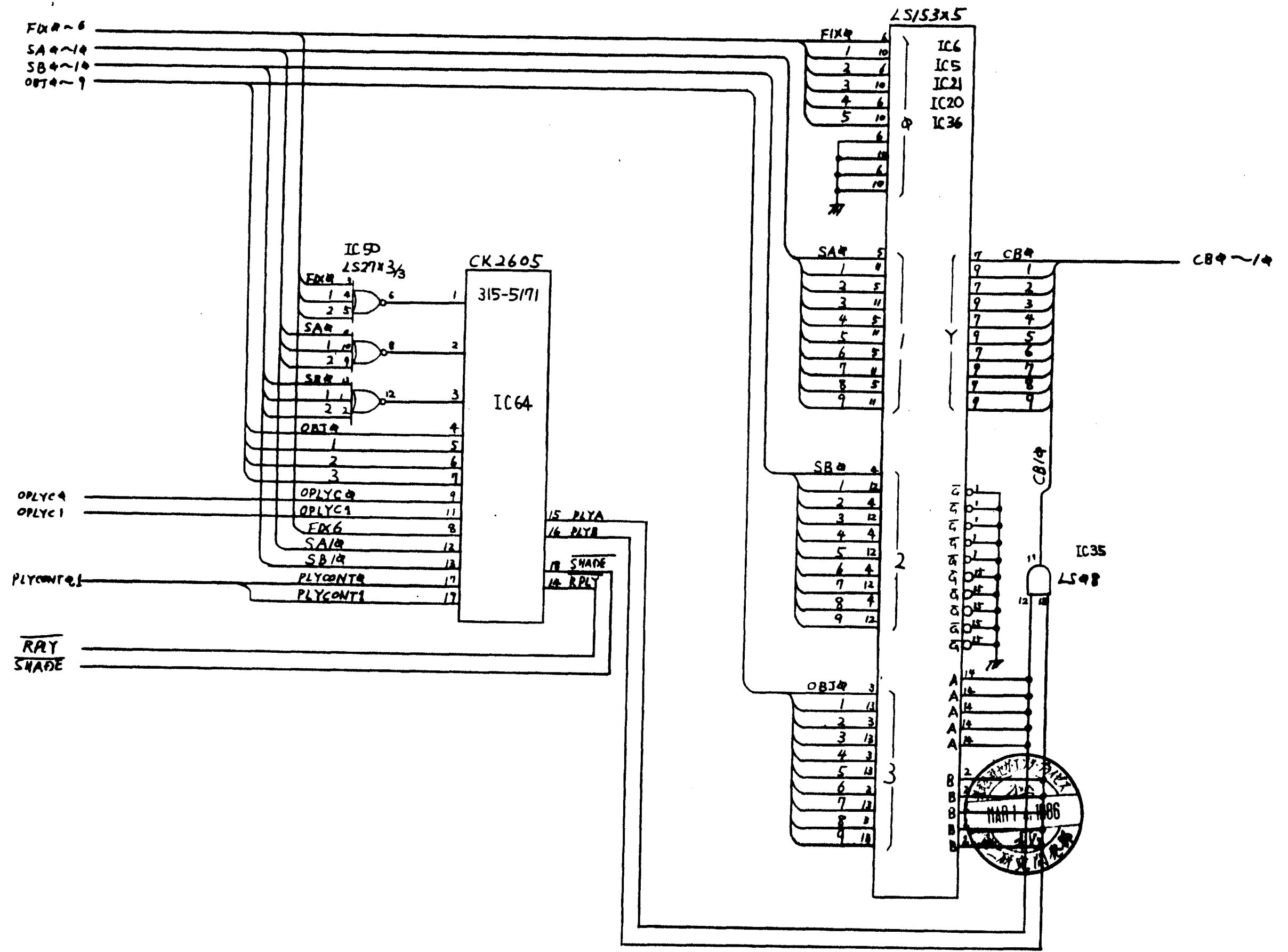
171-5320  
834-5798  
JK



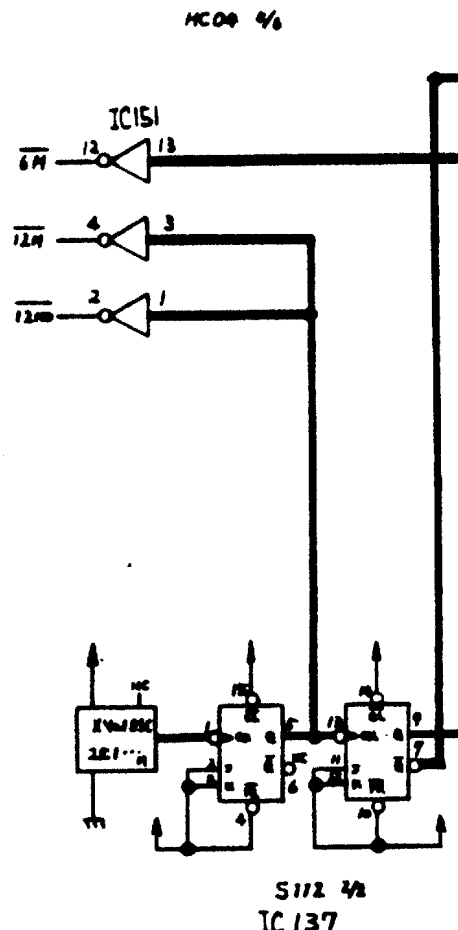
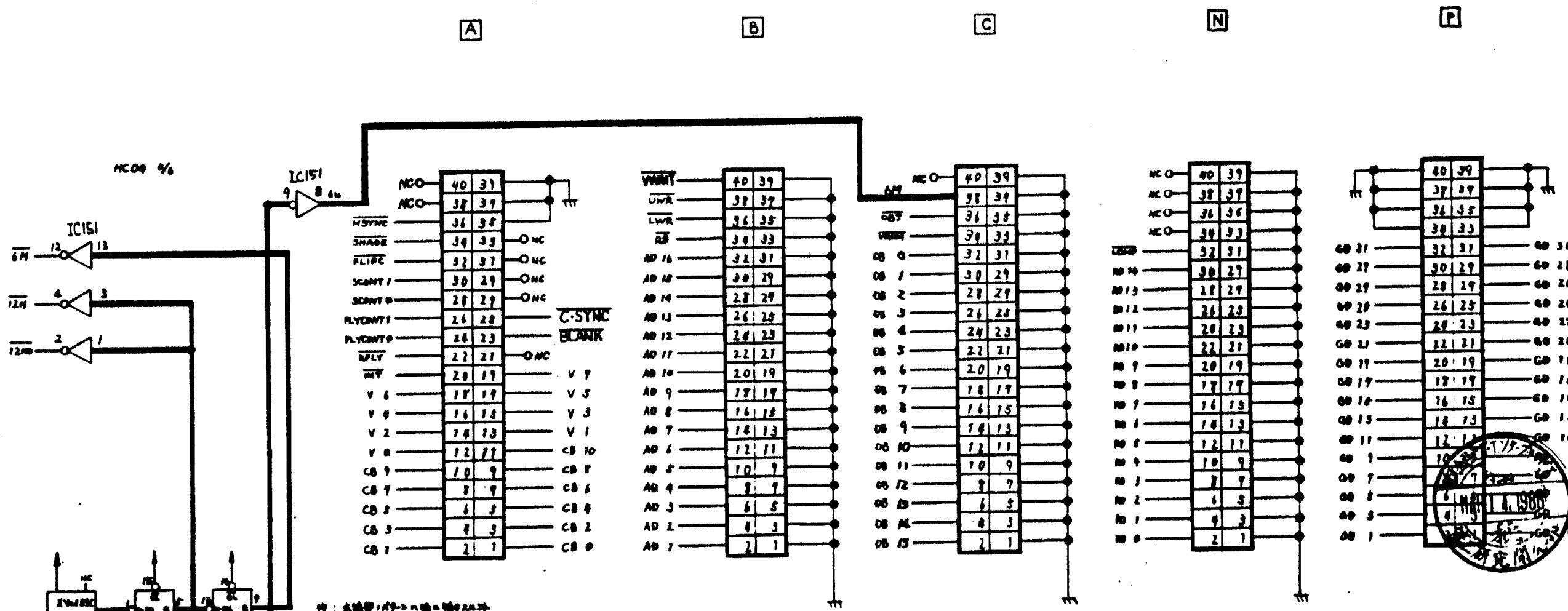
171-5320  
834-5798

17  
171-5320  
834-5798

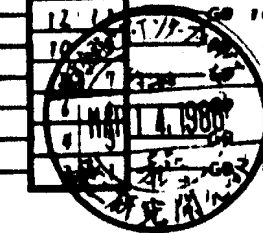
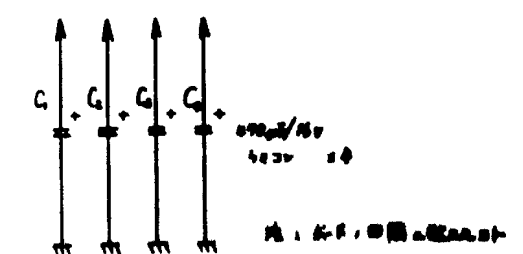
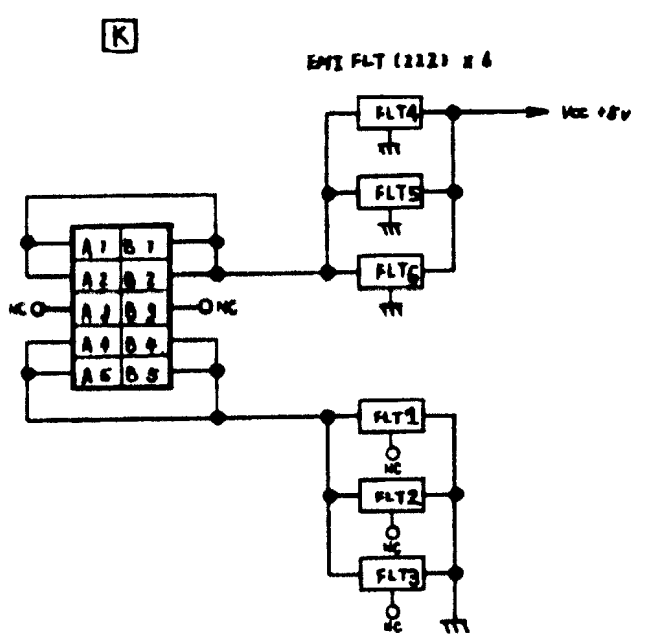


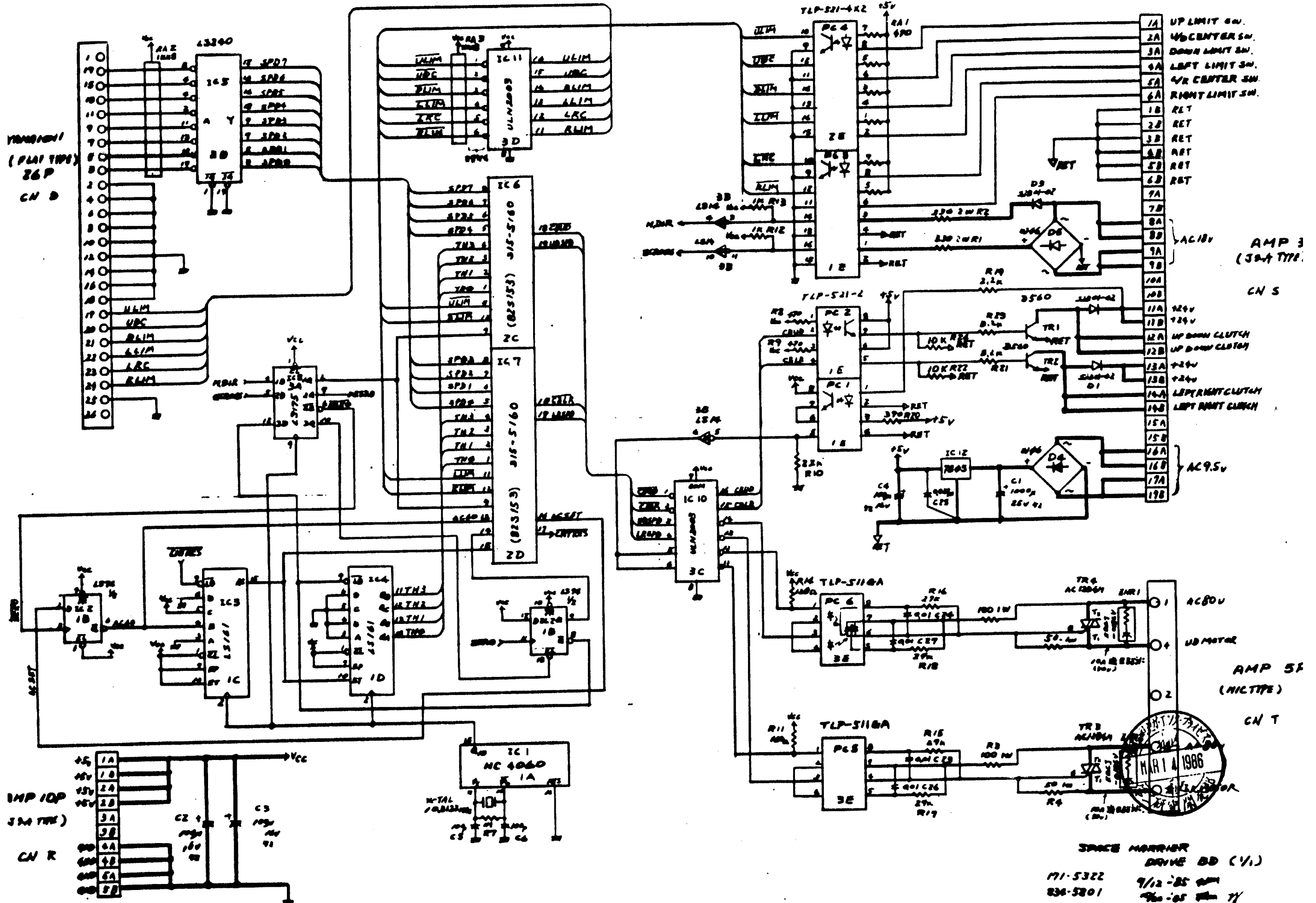


77  
 Kai 1/22-86  
 JET



注: 本图中, 1, 2, 3 为 74137 的输入端





FUNCTION 1  
(PLAT TYPE)  
26 P  
CN D

AMP 3  
(304 TYPE)

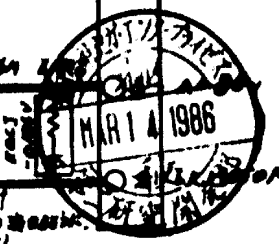
CN 5

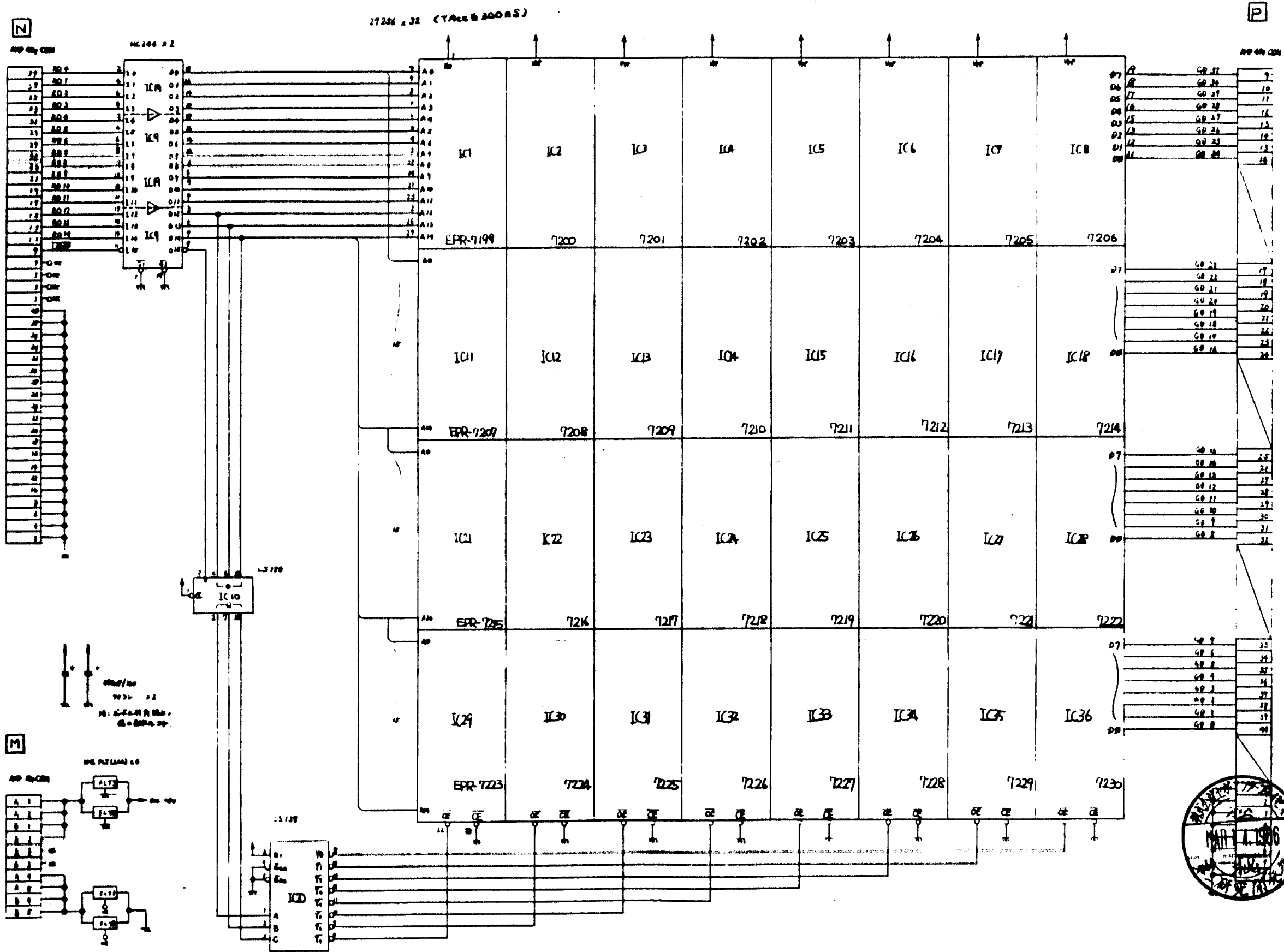
AMP 5  
(MILTYPE)

CN T

IMP IOP  
(304 TYPE)  
CN R

SPACE HOPPER  
DRIVE BD (1/1)  
M1-5322  
836-5201  
9/12-85  
9/20-85

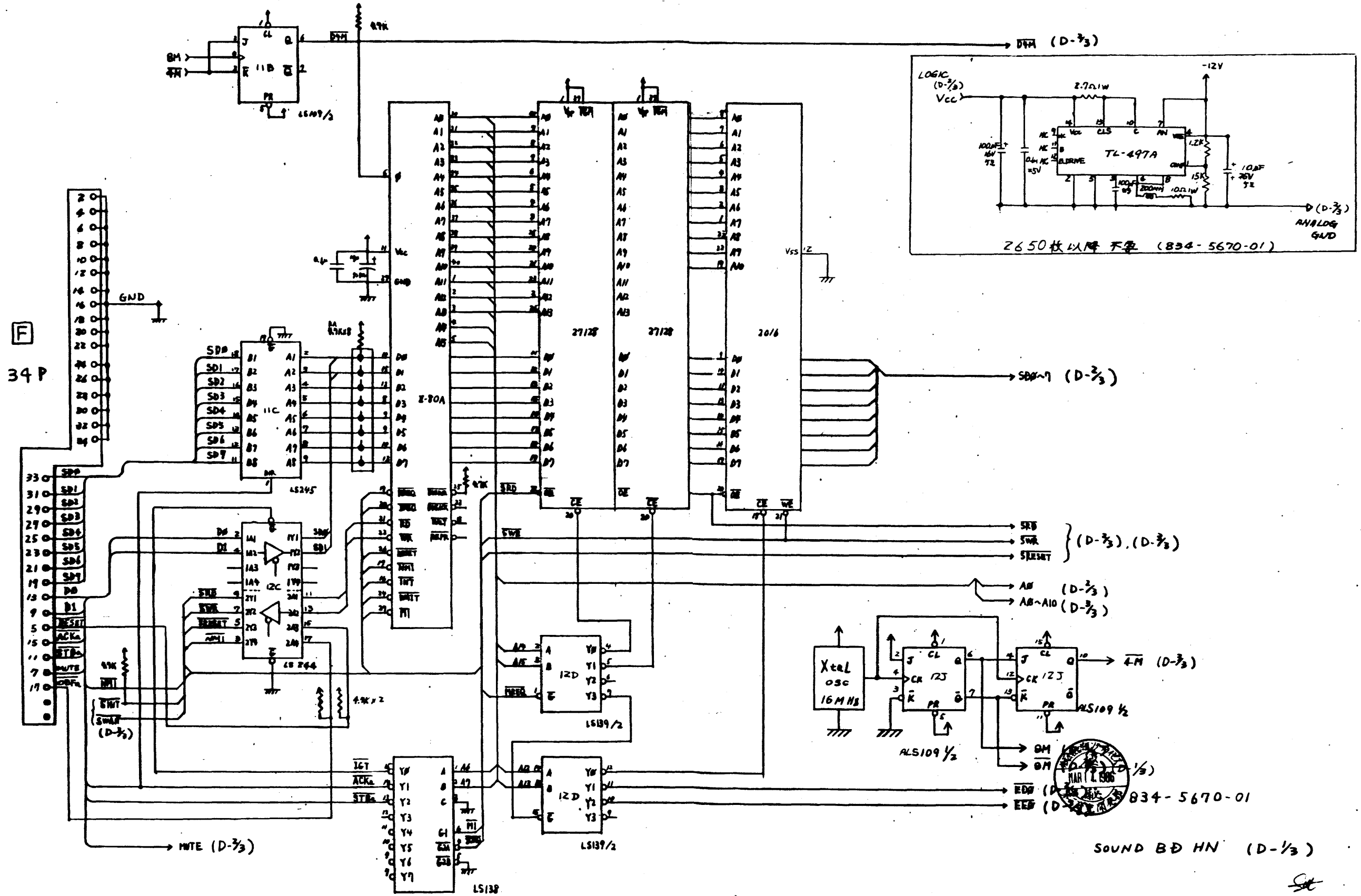




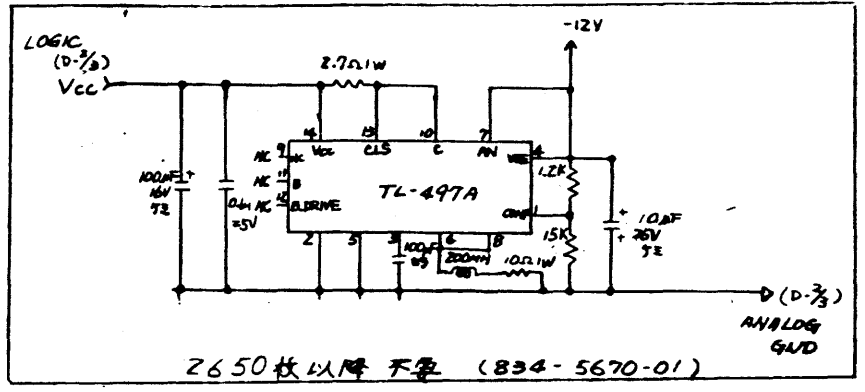
171-5321  
834-5800

SPACE HARRIER ASSY ROM BOARD RH 1/1

17  
Kai 1/2  
TTR



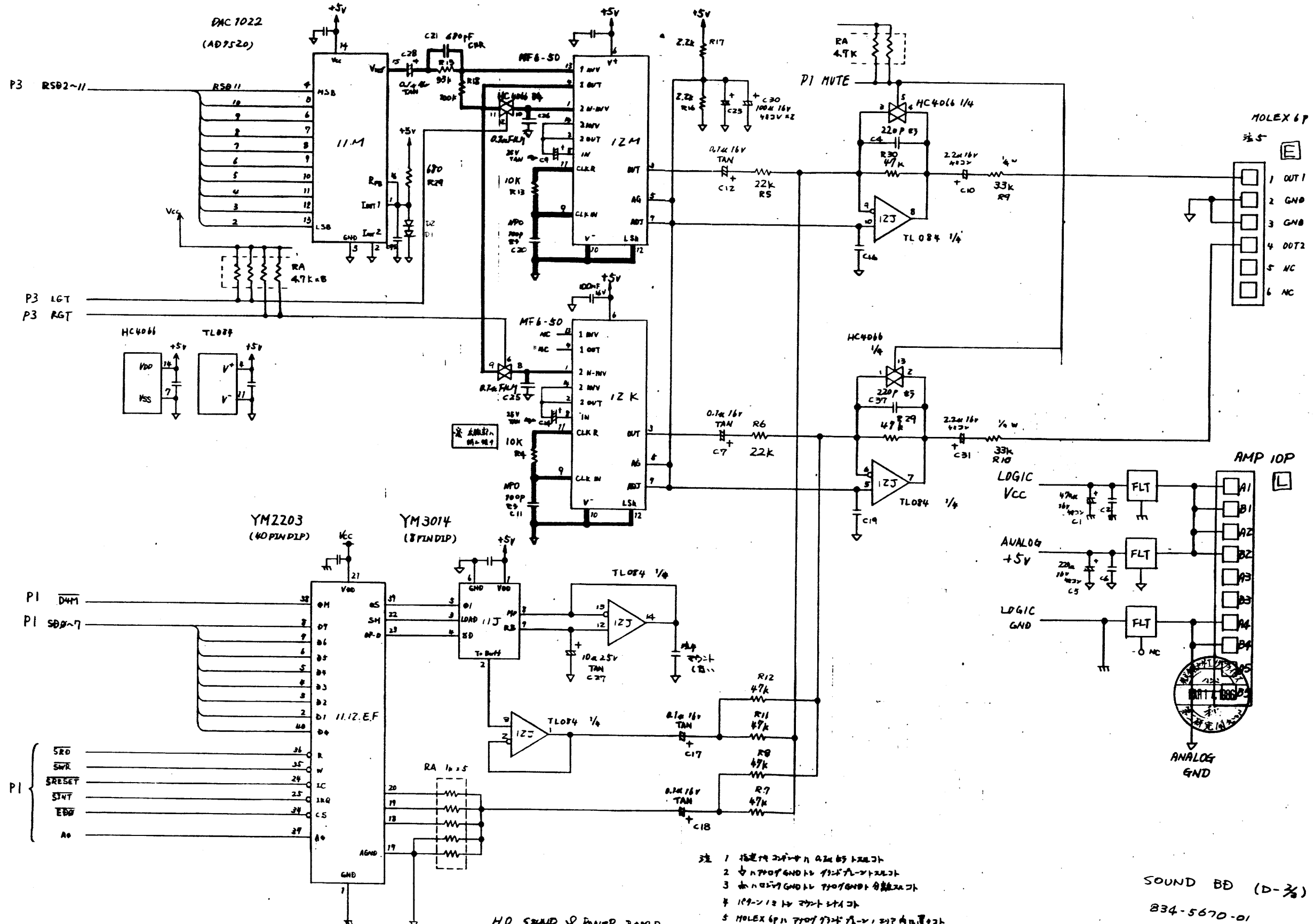
F  
34 P



SOUND BD HN (D-1/3)

St





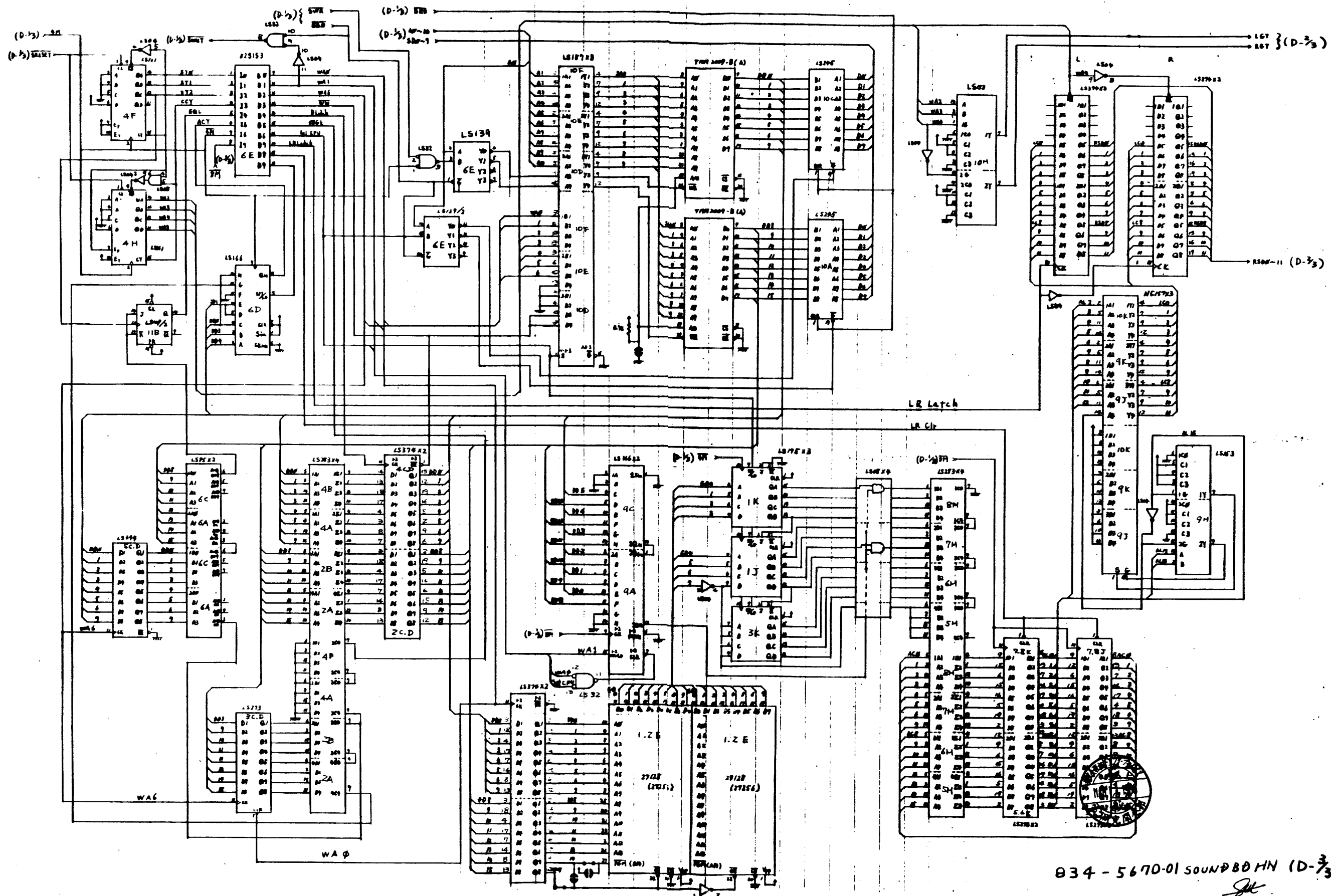
- 註
- 1 5V 전원 코어에 11.2k Ω 저항기
  - 2 100pF GND에 10k Ω 저항기
  - 3 100pF GND에 100k Ω 저항기
  - 4 10k Ω 저항기
  - 5 MOLEX 6P에 100pF 커패시터

H0 SOUND & POWER BOARD

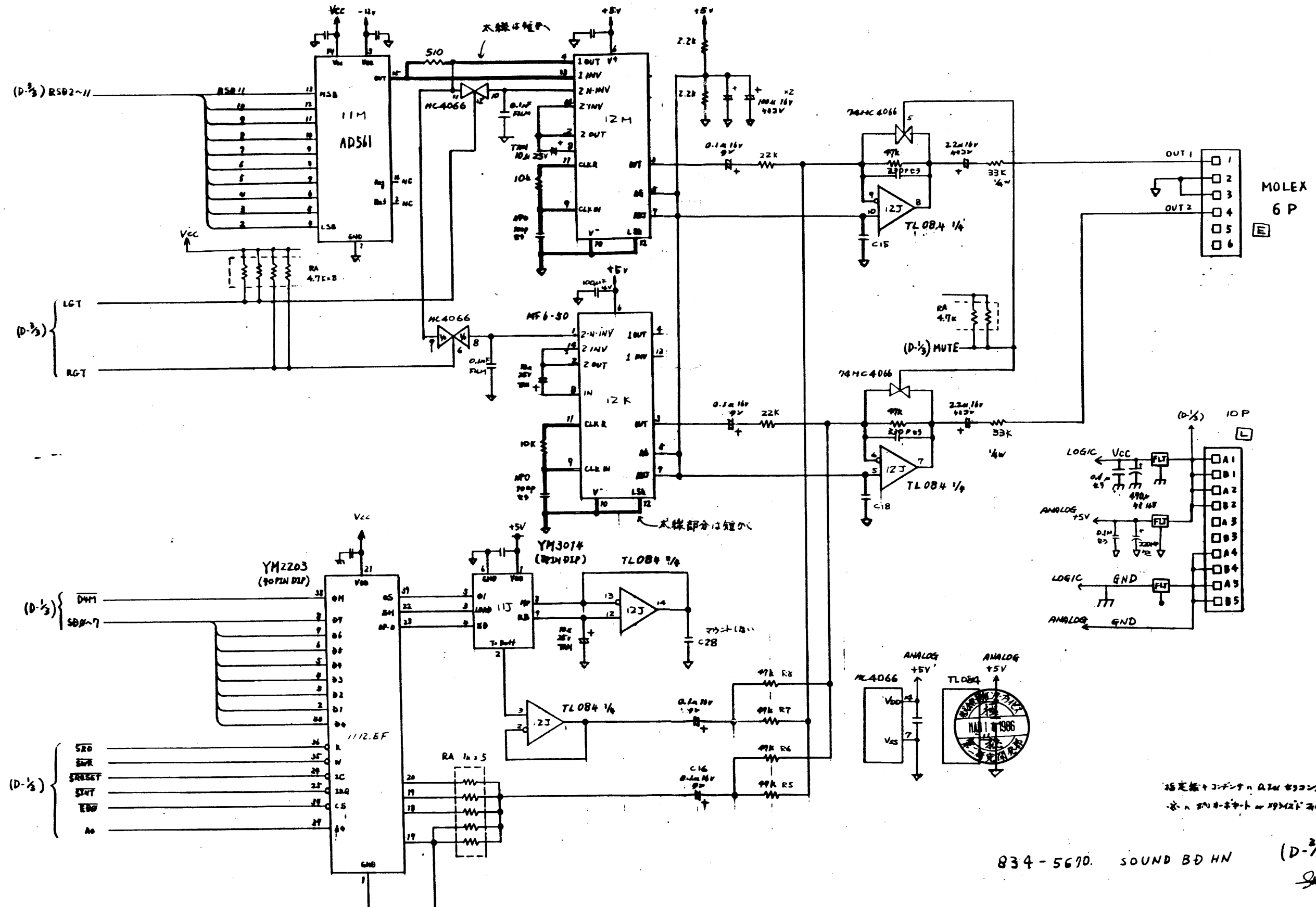
SOUND BD (D-3/8) 新  
834-5670-01

HOS 2/3

(1987.11.11 판권표 76)



834-5670-01 SOUND BOARD (D-3/3)  
 JH



指定値とコンデンサのA24を900nF  
 ※A1のコンデンサは10μFにしてください

834-5670. SOUND BOARD HN (D-3/5)  
 Stt