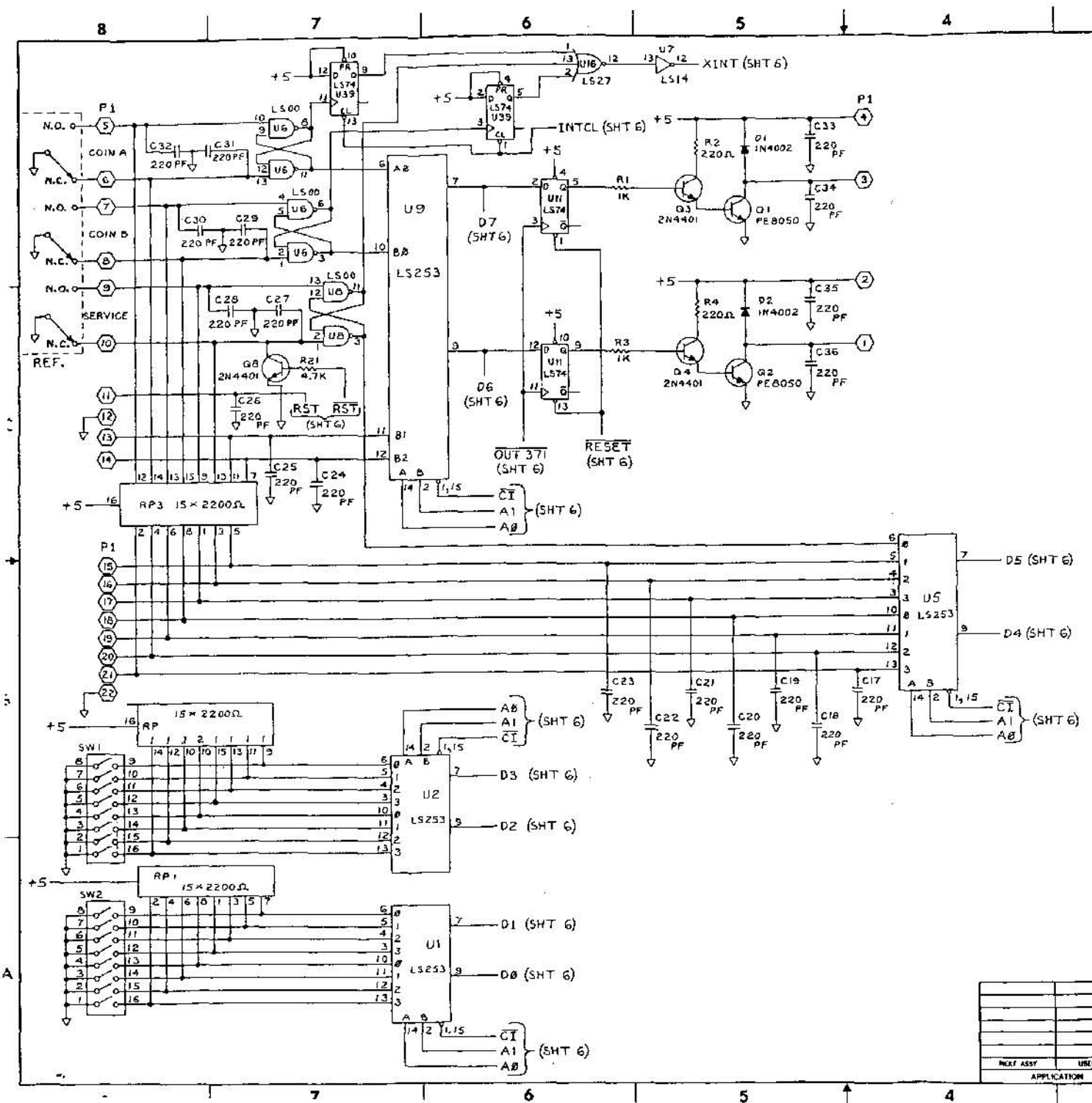


ZONE	REV	DESCRIPTION	DATE	APPROVED
1	1	SEE SHEET 1 FOR REVISIONS	10-28-80	A. HANON

ZONE	REV	DESCRIPTION	DATE	APPROVED
1	1	SEE SHEET 1 FOR REVISIONS	10-28-80	A. HANON

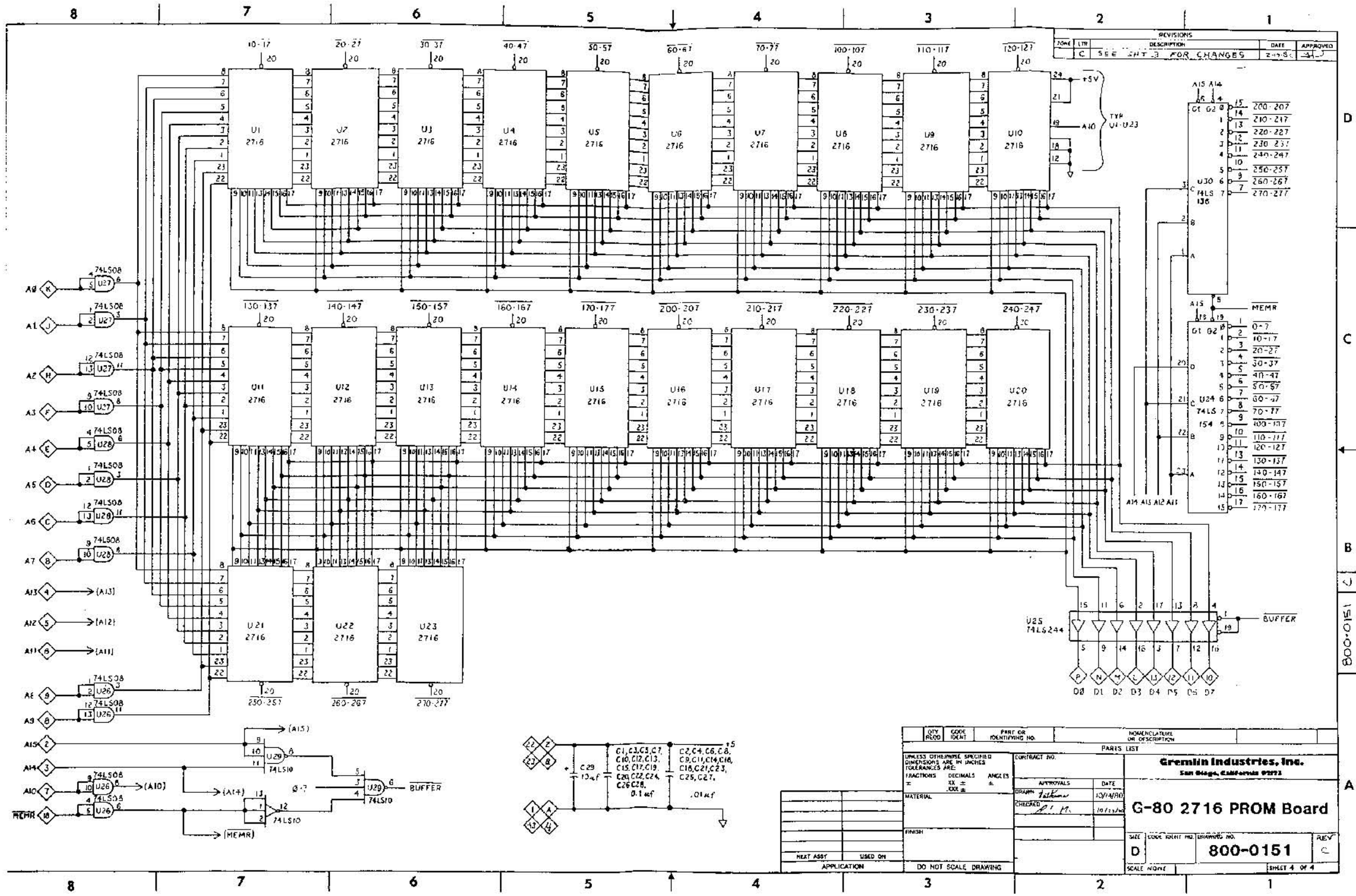
PARTS LIST		Gremlin Industries, Inc.	
NOMENCLATURE OR DESCRIPTION		San Diego, California 92121	
CPU Board			
SHEET	800-0107	REV	E
SCALE	1:1 (ON E)	SHEET	6 OF 7



REVISIONS				
ZONE	LTN	DESCRIPTION	DATE	APPROVED
A		RELEASED	CTC	10-28-60 A. R. ROW
B		ECN # 528	CTC	11-15-60 [Signature]
C		ECN # 669	CTC	2-16-71 [Signature]
D		ECN # 677A	CTC	2-25-71 [Signature]
E		PER ECN # 778	M.G.A.	8-21-71 [Signature]

QTY	CODE	PART OR IDENTIFYING NO.	NOMENCLATURE OR DESCRIPTION
PARTS LIST			
UNLESS OTHERWISE SPECIFIED DIMENSIONS ARE IN INCHES TOLERANCES ARE:		CONTRACT NO.	
FRACTIONS	DECIMALS	ANGLES	
±	±	±	
MATERIAL		APPROVALS	DATE
FINISH		BY: GATTELLI	10-23-60
NEXT ASST		CHECKED: [Signature]	10-25-60
USED ON		DATE: [Signature]	11-15-60
APPLICATION		DO NOT SCALE DRAWING	
Gremfin Industries, Inc. San Diego, California 92123			REV
CPU Board			
SIZE	CODE IDENT NO. DRAWING NO.	800-0107	
SCALE	NONE		SHEET 7 OF 7

800-0107

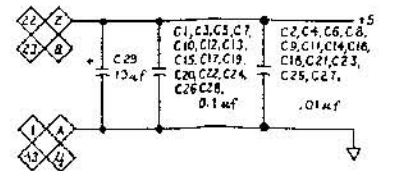


REVISIONS				
ZONE	LTN	DESCRIPTION	DATE	APPROVED
C	SEE SHEET 3 FOR CHANGES		2-1-80	[Signature]

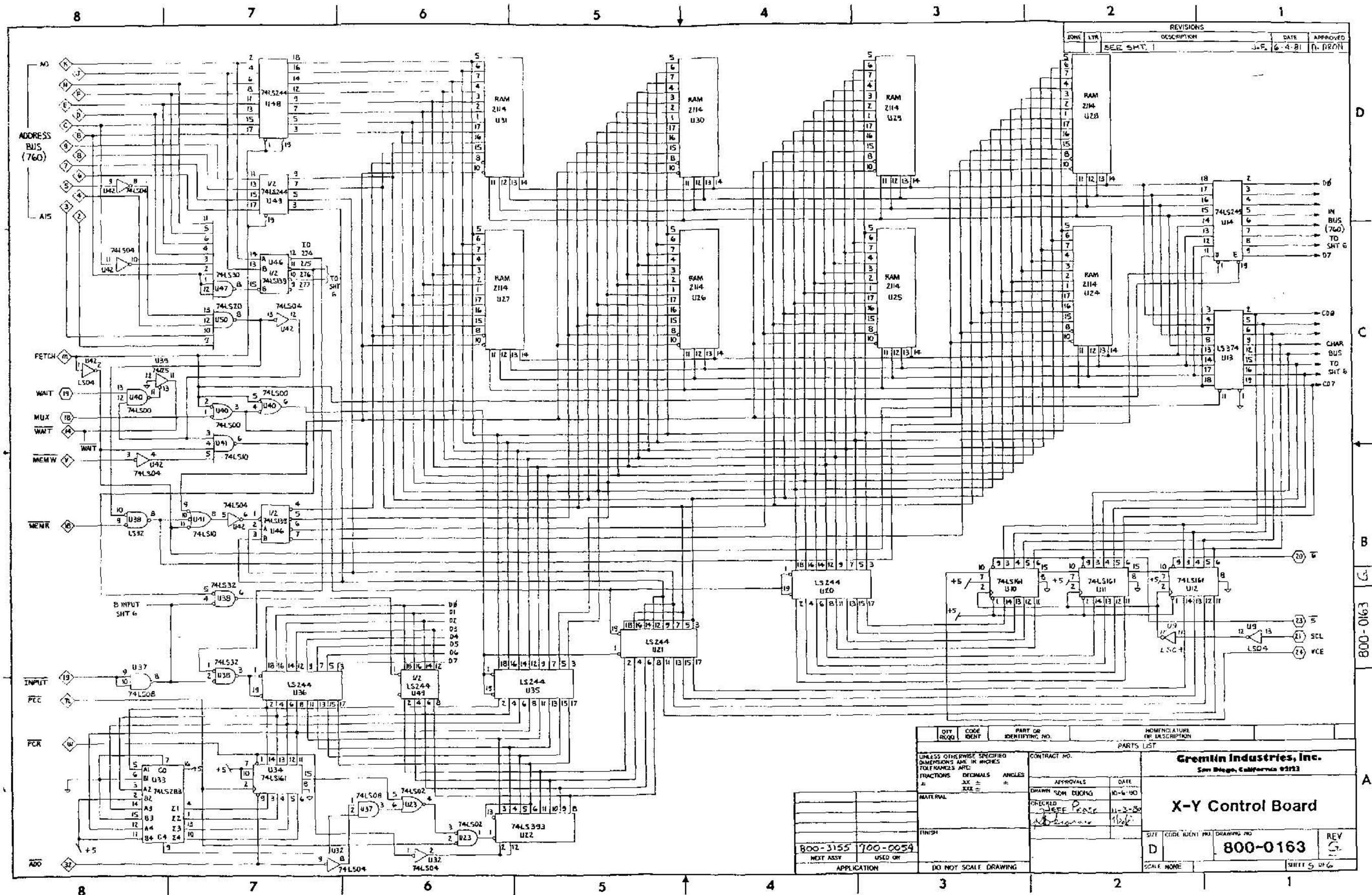
MEMR		
GT	GT	MEMR
1	1	0-7
2	2	10-17
3	3	20-27
4	4	30-37
5	5	40-47
6	6	50-57
7	7	60-67
8	8	70-77
9	9	80-87
10	10	90-97
11	11	100-107
12	12	110-117
13	13	120-127
14	14	130-137
15	15	140-147
16	16	150-157
17	17	160-167
18	18	170-177

MEMR		
GT	GT	MEMR
1	1	0-7
2	2	10-17
3	3	20-27
4	4	30-37
5	5	40-47
6	6	50-57
7	7	60-67
8	8	70-77
9	9	80-87
10	10	90-97
11	11	100-107
12	12	110-117
13	13	120-127
14	14	130-137
15	15	140-147
16	16	150-157
17	17	160-167
18	18	170-177

QTY	CODE	PART OR IDENTIFYING NO.	NOMENCLATURE OR DESCRIPTION
			Gremlin Industries, Inc. San Diego, California 92121
			G-80 2716 PROM Board
			SEE LOC IDENT NO. DRAWING NO. 800-0151
			SCALE NONE SHEET 4 OF 4

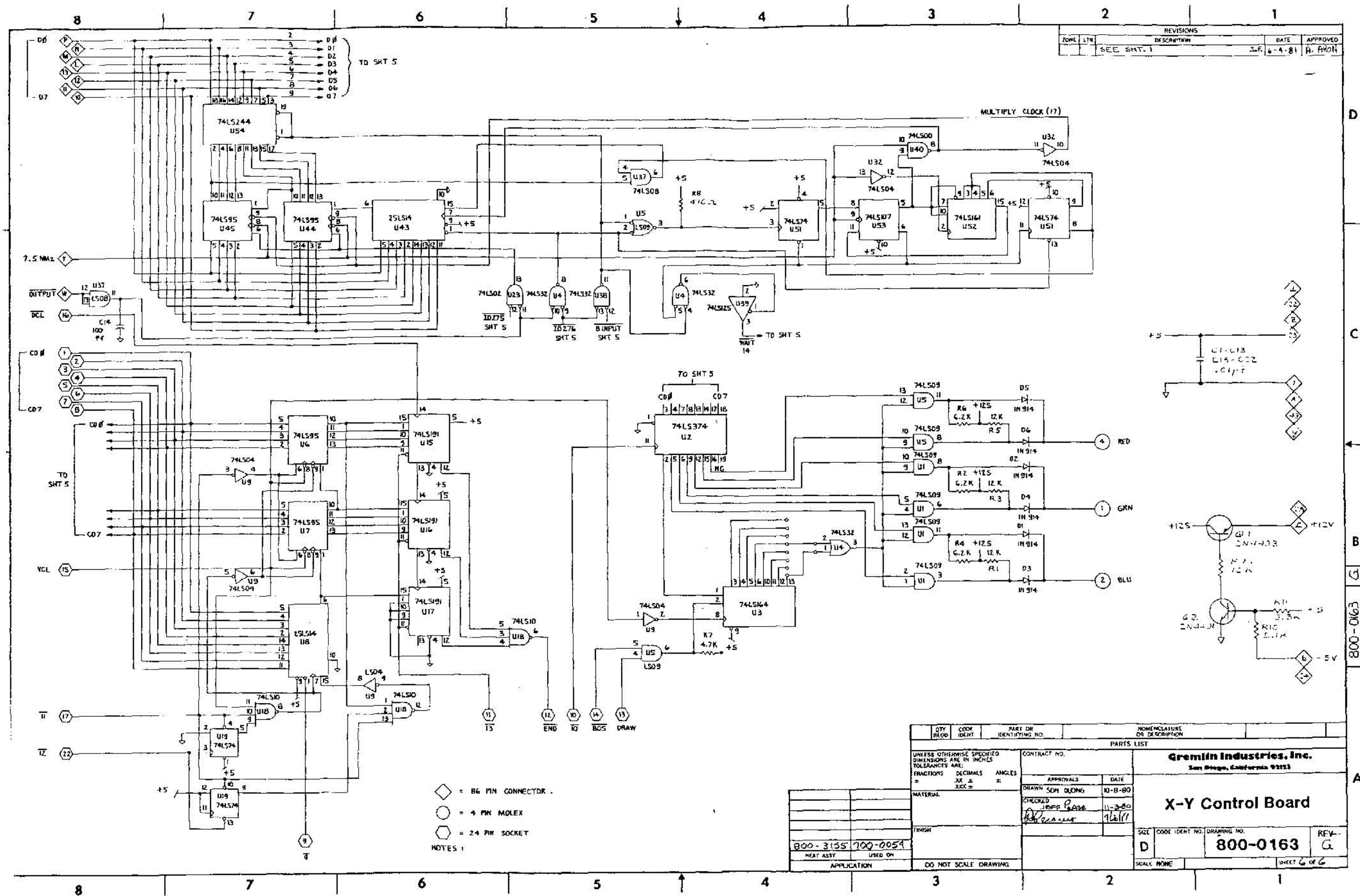


DATE	APPROVALS	DATE
10/14/80	[Signature]	
10/13/80	[Signature]	



REVISEMENTS		DATE	APPROVED
NO.	DESCRIPTION		
1	SEE SMT.	6-4-81	N. DRON

QTY	CODE	PART OR IDENTIFYING NO.	NOMENCLATURE OR DESCRIPTION
			PARTS LIST
UNLESS OTHERWISE SPECIFIED DIMENSIONS ARE IN INCHES TOLERANCES ARE: FRACTIONS DECIMALS ANGLES			
MATERIAL		CONTRACT NO.	
FINISH		APPROVALS DATE	
NEXT ASSY USED ON		DRAWN SDH DUCNG 10-6-80	
APPLICATION		CHECKED JEFF PAGE 11-2-80	
DO NOT SCALE DRAWING		SCALE NONE	
		Gremlin Industries, Inc. San Diego, California 92123	
		X-Y Control Board	
800-3155 700-0054		SIZE CODE IDENT NO. DRAWING NO. REV D 800-0163 5	
		SHEET 5 OF 6	



REVISIONS			
ZONE	LN	DESCRIPTION	DATE APPROVED
		SEE SHT. 1	6-4-81 A. FROH

D
C
B
A

800-0163

- ◇ = 16 PIN CONNECTOR
 - = 4 PIN MOLEX
 - ⊞ = 24 PIN SOCKET
- NOTES:

QTY		CODE	PART OR IDENTIFYING NO.	NOMENCLATURE OR DESCRIPTION
PARTS LIST				
UNLESS OTHERWISE SPECIFIED DIMENSIONS ARE IN INCHES TOLERANCES ARE: FRACTIONS DECIMALS ANGLES = .XX ± .XX ± °				
MATERIAL		CONTRACT NO.		Gremlin Industries, Inc. San Diego, California 92123
FINISH		APPROVALS DATE		
NEXT ASSY USED ON		DRAWN SOM DJONG 10-8-80 CHECKED JEFF BAGE 11-3-80 DATE 6-2-81		
800-3155 700-0054				X-Y Control Board SHEET CODE IDENT NO. DRAWING NO. REV- D 800-0163 G SCALE NONE SHEET 6 OF 6

8

7

6

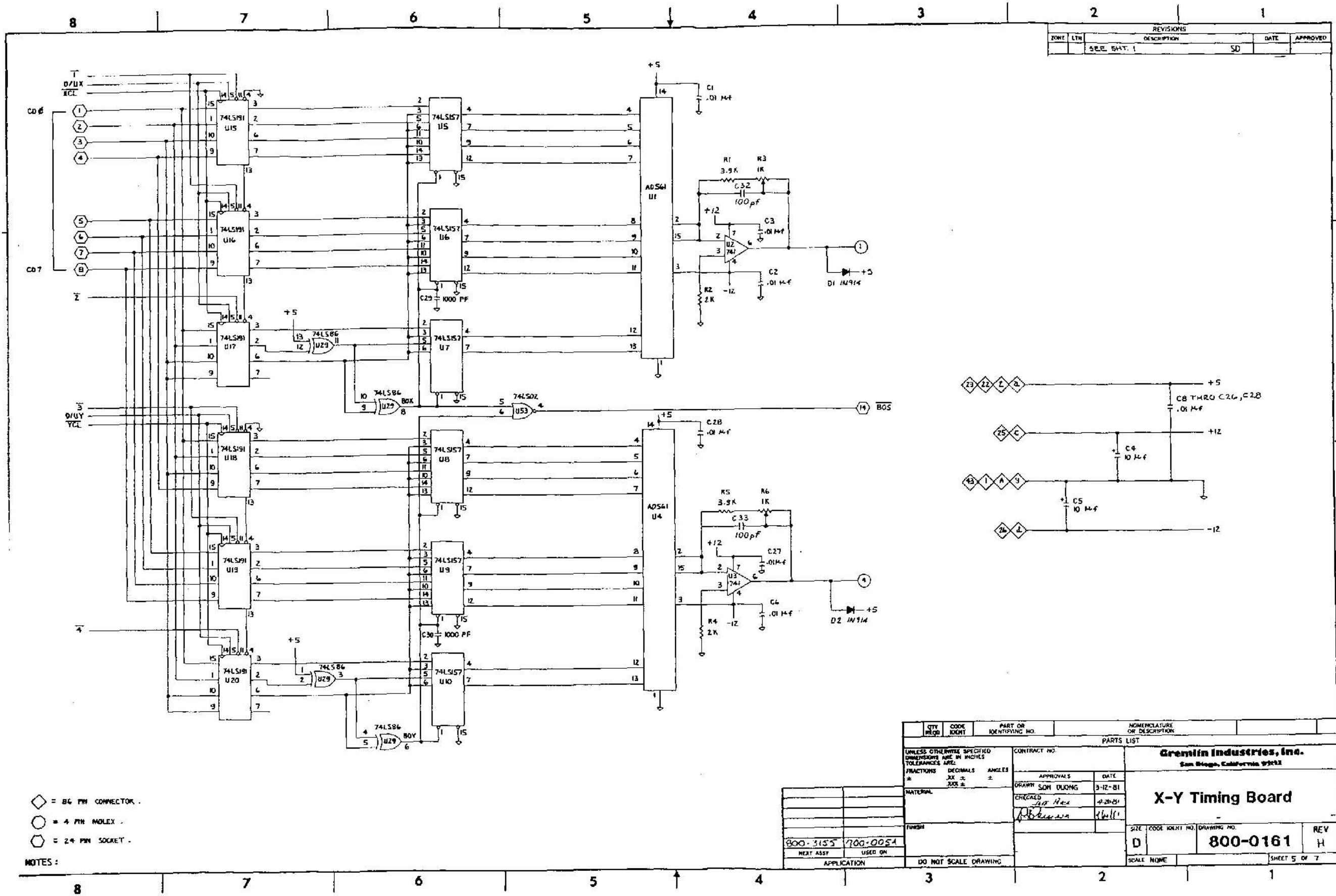
5

4

3

2

1

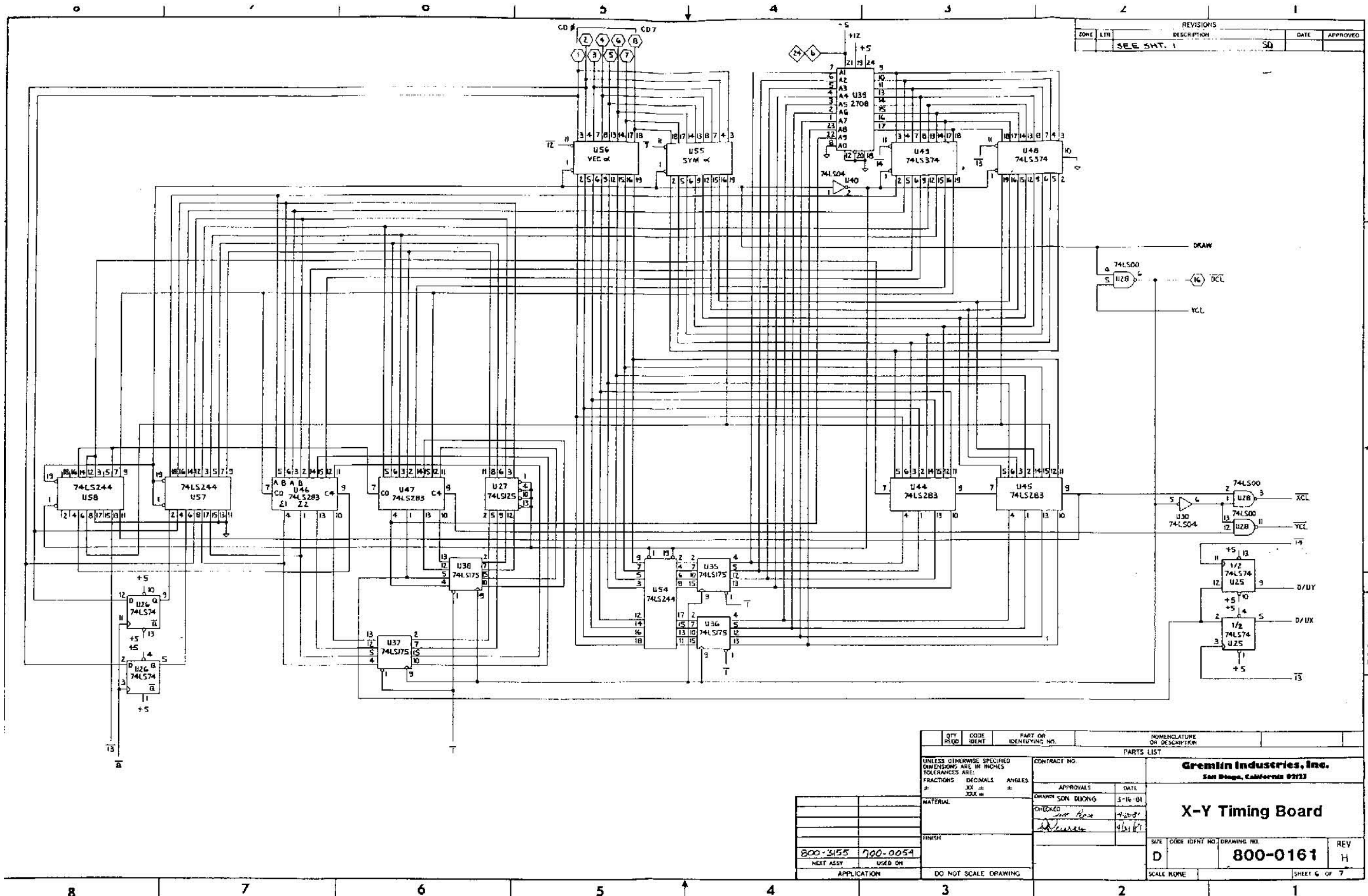


REVISIONS				
ZONE	LTN	DESCRIPTION	DATE	APPROVED
		SEE SH. 1		SD

- NOTES:
- ◇ = 84 PIN CONNECTOR.
 - = 4 PIN MOLEX.
 - ⊕ = 24 PIN SOCKET.

QTY	CODE	PART OR IDENTIFYING NO.	NOMENCLATURE OR DESCRIPTION
			PARTS LIST
UNLESS OTHERWISE SPECIFIED DIMENSIONS ARE IN INCHES TOLERANCES ARE:		CONTRACT NO.	
FRACTIONS	DECIMALS	ANGLES	
XX ±		±	
XXX ±			
MATERIAL		APPROVALS	
		DRAWN	DATE
		CHKD	
FINISH		DATE	
800-3155 700-0054		8-12-81	
NEXT ASSY USED ON		4-20-81	
APPLICATION		4/6/81	
DO NOT SCALE DRAWING			
		Grenin Industries, Inc. San Diego, California 92111	
		X-Y Timing Board	
SIZE	CODE IDENT NO.	DRAWING NO.	REV
D		800-0161	H
SCALE NONE		SHEET 5 OF 7	

D
C
B
H
800-0161

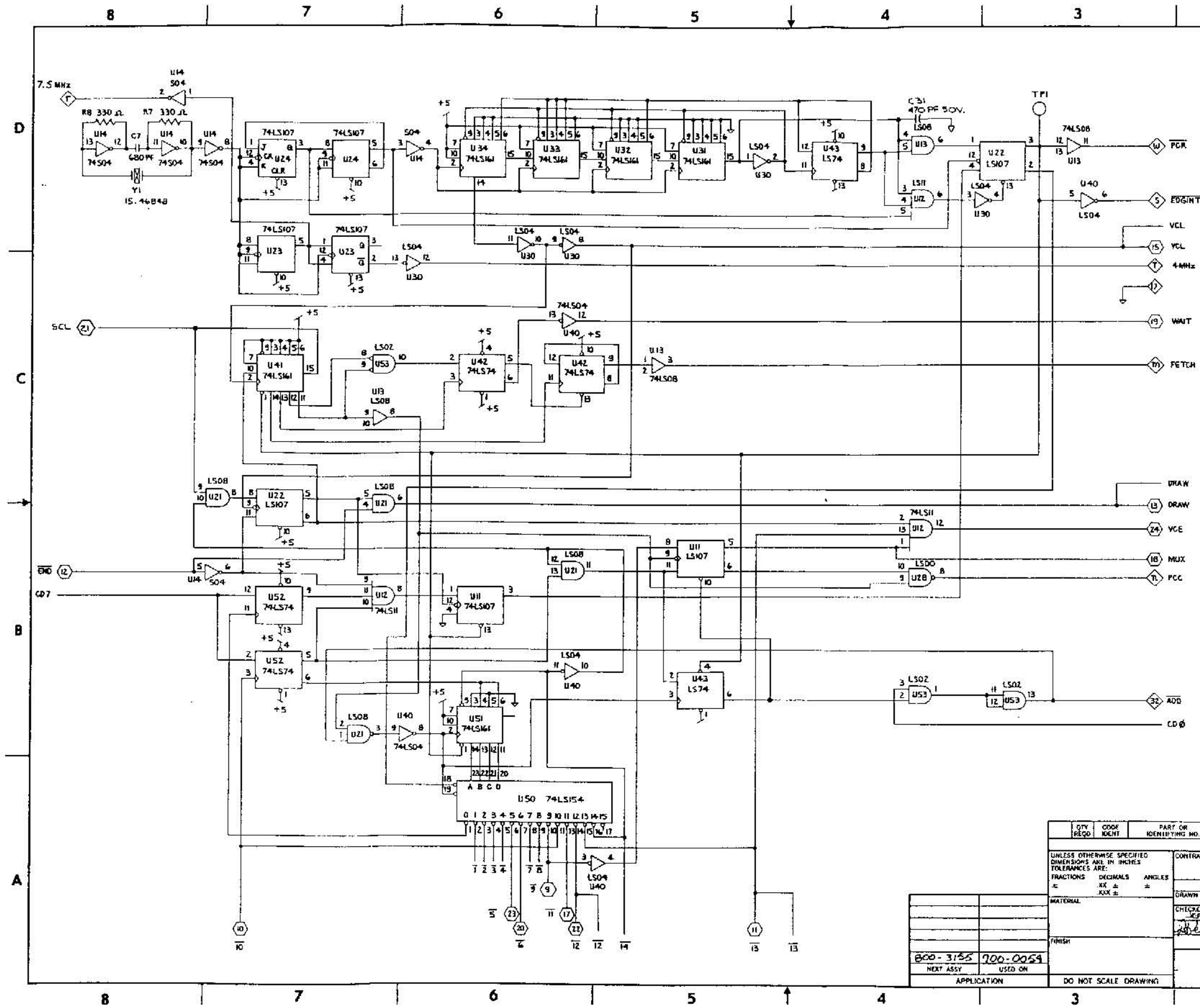


REVISIONS		DATE	APPROVED
ZONE	LTN	DESCRIPTION	
		SEE SHT. 1	SQ

QTY	CODE	PART OR IDENTIFYING NO.	NOMENCLATURE OR DESCRIPTION
			Gremlin Industries, Inc. San Diego, California 92121
X-Y Timing Board			
UNLESS OTHERWISE SPECIFIED DIMENSIONS ARE IN INCHES TOLERANCES ARE: FRACTIONS DECIMALS ANGLES ± .005 ± .005 ± .005		CONTRACT NO.	DATE
MATERIAL		APPROVALS	3-16-81
FINISH		CHECKED	4-20-81
NEXT ASSY USED ON		DATE	4/21/81
APPLICATION		SIZE	CODE IDENT NO. DRAWING NO.
DO NOT SCALE DRAWING		D	800-0161
		SCALE NONE	REV H
			SHEET 6 OF 7

800-0161 H B C D

REVISIONS				
ZONE	LTR	DESCRIPTION	DATE	APPROVED
		SEE SHT. 1	SD	



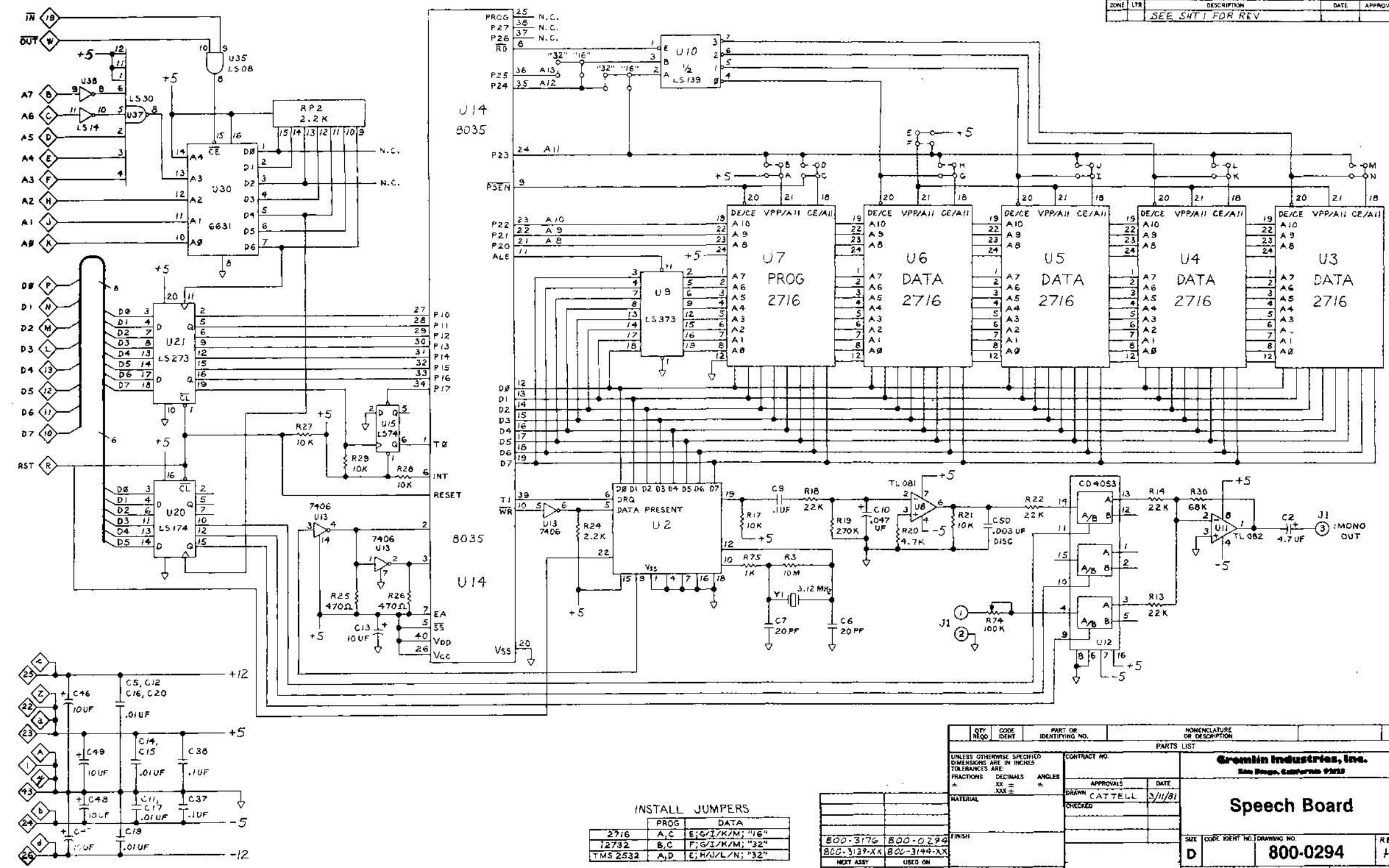
QTY REQD	CODE IDENT	PART OR IDENTIFYING NO.	NOMENCLATURE OR DESCRIPTION
PARTS LIST			
UNLESS OTHERWISE SPECIFIED DIMENSIONS ARE IN INCHES TOLERANCES ARE:		CONTRACT NO.	
FRACTIONS	DECIMALS	ANGLES	
±	±	±	
MATERIAL		APPROVALS	DATE
FINISH		DRAWN SON DUONG	10-4-80
NEXT ASSY USED ON		CHECKED JEFF PRADE	11-6-80
APPLICATION		DO NOT SCALE DRAWING	
800-3155		700-0054	
SCALE NONE		SHEET 7 OF 7	

Gremlin Industries, Inc.
San Diego, California 92123

X-Y Timing Board

SIZE CODE IDENT NO DRAWING NO. REV
D - 800-0161- H

REVISIONS				
ZONE	LTR	DESCRIPTION	DATE	APPROVED
		SEE SH1 FOR REV		

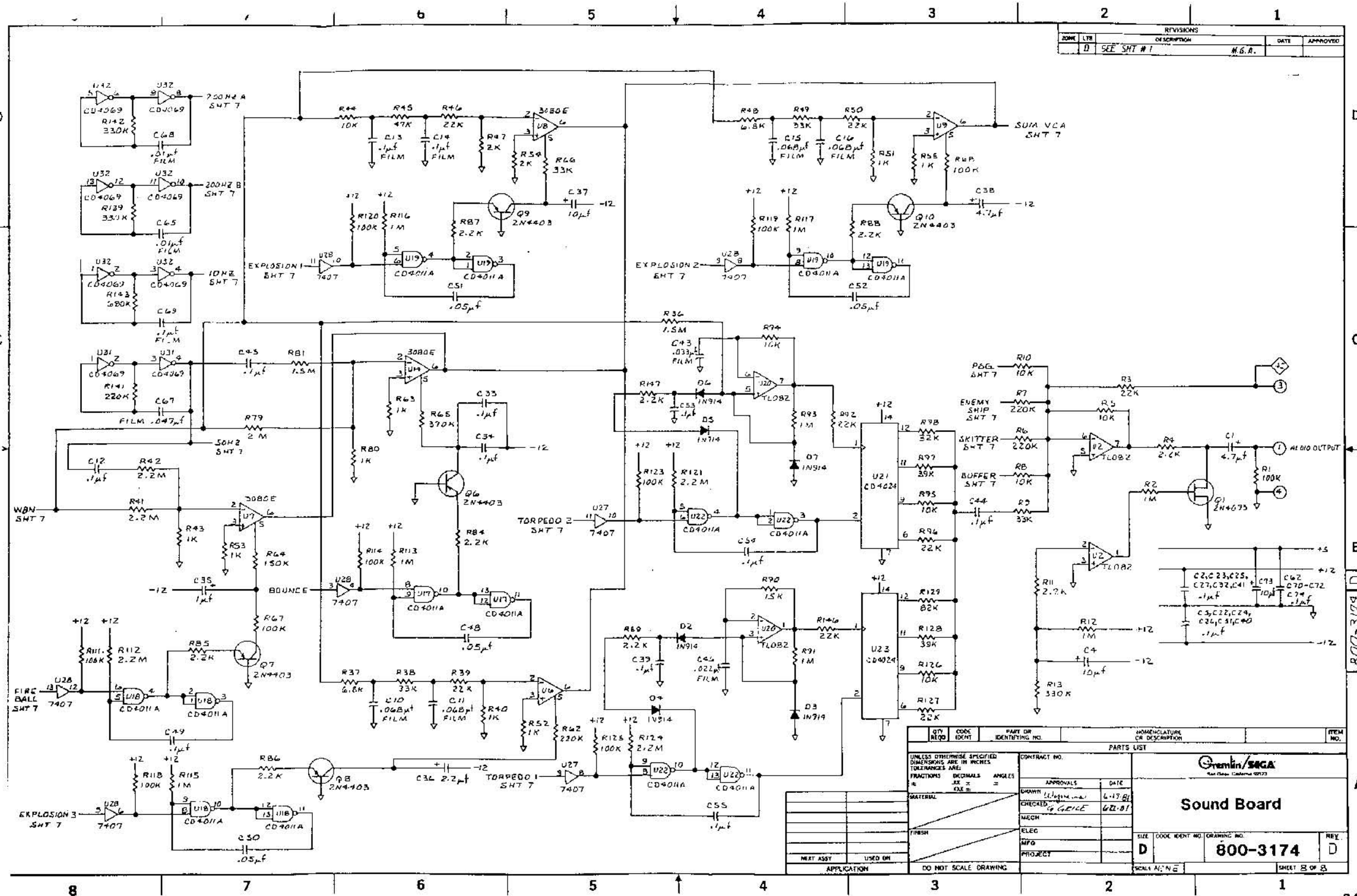


INSTALL JUMPERS

PROG	DATA	RESISTOR VALUE
2716	A,C	E;G/I/K/M; "16"
12732	B,C	F;G/I/K/M; "32"
TMS 2532	A,D	E;H/J/L/N; "32"

QTY	CODE	PART OR IDENTIFYING NO.	NOMENCLATURE OR DESCRIPTION
			PARTS LIST
UNLESS OTHERWISE SPECIFIED DIMENSIONS ARE IN INCHES TOLERANCES ARE: FRACTIONS DECIMALS ANGLES			
MATERIAL		CONTRACT NO.	Greenlin Industries, Inc. San Diego, California 92121
FINISH		APPROVALS	DATE
NEXT ASSY USED ON		DRAWN	CATTELL 3/11/81
APPLICATION		CHECKED	
DO NOT SCALE DRAWING			Scale NONE
SHEET 5 OF 5			REV H

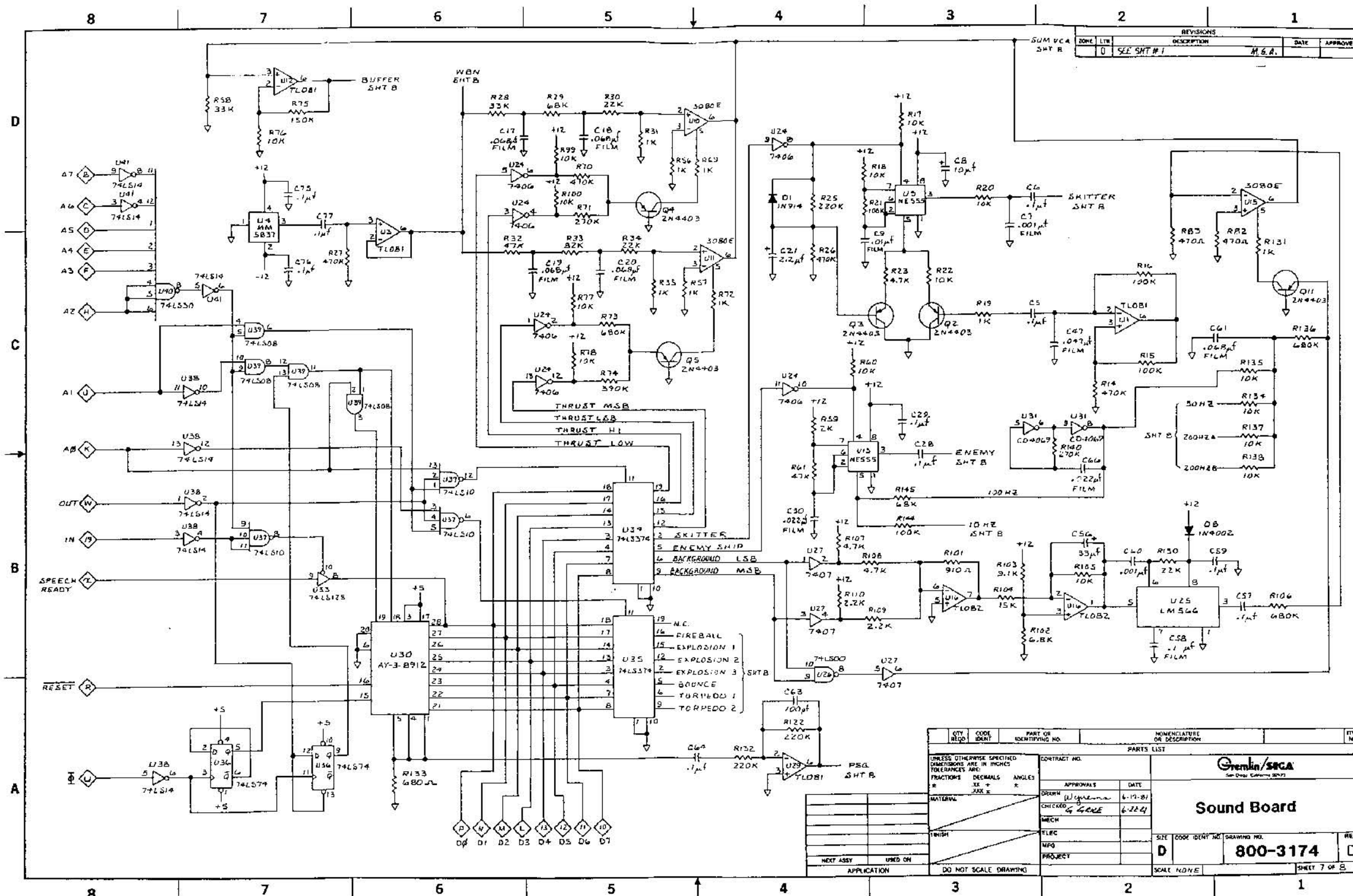
H E810-008



REVISIONS				
ZONE	LTR	DESCRIPTION	DATE	APPROVED
D		SEE SHT #1	M.B.R.	

QTY	CODE	PART OR IDENTIFYING NO.	NOMENCLATURE OR DESCRIPTION	ITEM NO.
UNLESS OTHERWISE SPECIFIED DIMENSIONS ARE IN INCHES (FRACTIONS ARE ANGLES =) <td></td> <td></td> <td></td> <td></td>				
MATERIAL		CONTRACT NO.		
FINISH		APPROVALS		
NEXT ASSY		CHECKED		
USED ON		DATE		
APPLICATION		MFG		
DO NOT SCALE DRAWING		PROJECT		

Grenier/SAGA	
Sound Board	
SIZE	CODE IDENT NO. DRAWING NO.
D	800-3174
SHEET 13 OF 23	REV. D



SUM VCA	ZONE	LIN	REVISIONS	DESCRIPTION	DATE	APPROVED
SHT A	0	SEE SHT #1			M.S.R.	

QTY	REQD	CODE	PART OR IDENTIFYING NO.	NOMENCLATURE OR DESCRIPTION	ITEM NO.

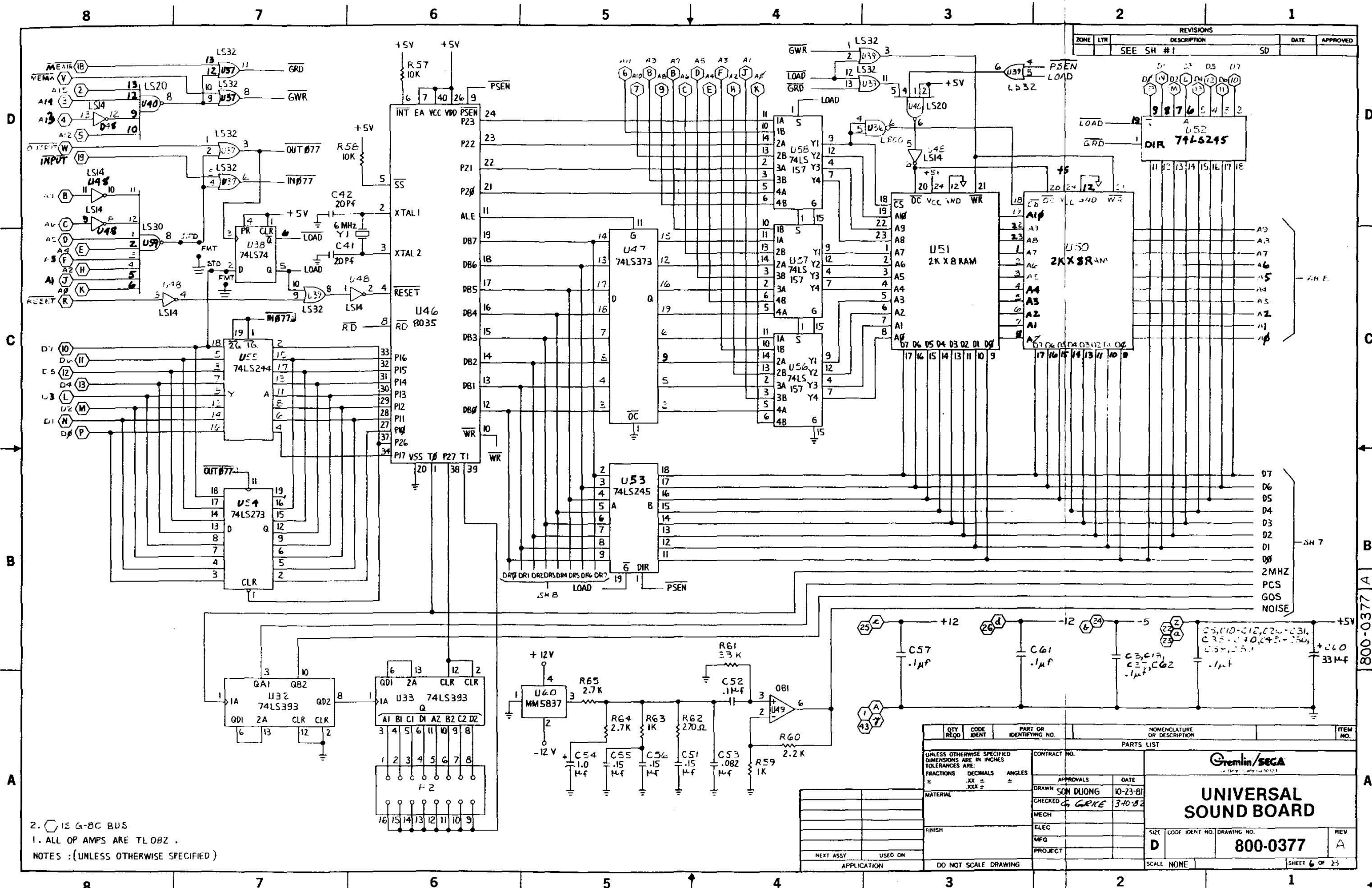
DIMENSIONS OTHER THAN SPECIFIED ARE IN INCHES
TOLERANCES ARE:
FRACTIONS DECIMALS ANGLES
± .005 ± .001 ± .005

APPROVALS	DATE
DRAWN [Signature]	6-17-81
CHECKED [Signature]	6-22-81

Sound Board

SIZE	CODE	IDENT	NO.	DRAWING NO.	REV
D				800-3174	D

SCALE NONE SHEET 7 OF 8



ZONE	LTR	DESCRIPTION	DATE	APPROVED
		SEE SH #1	SD	

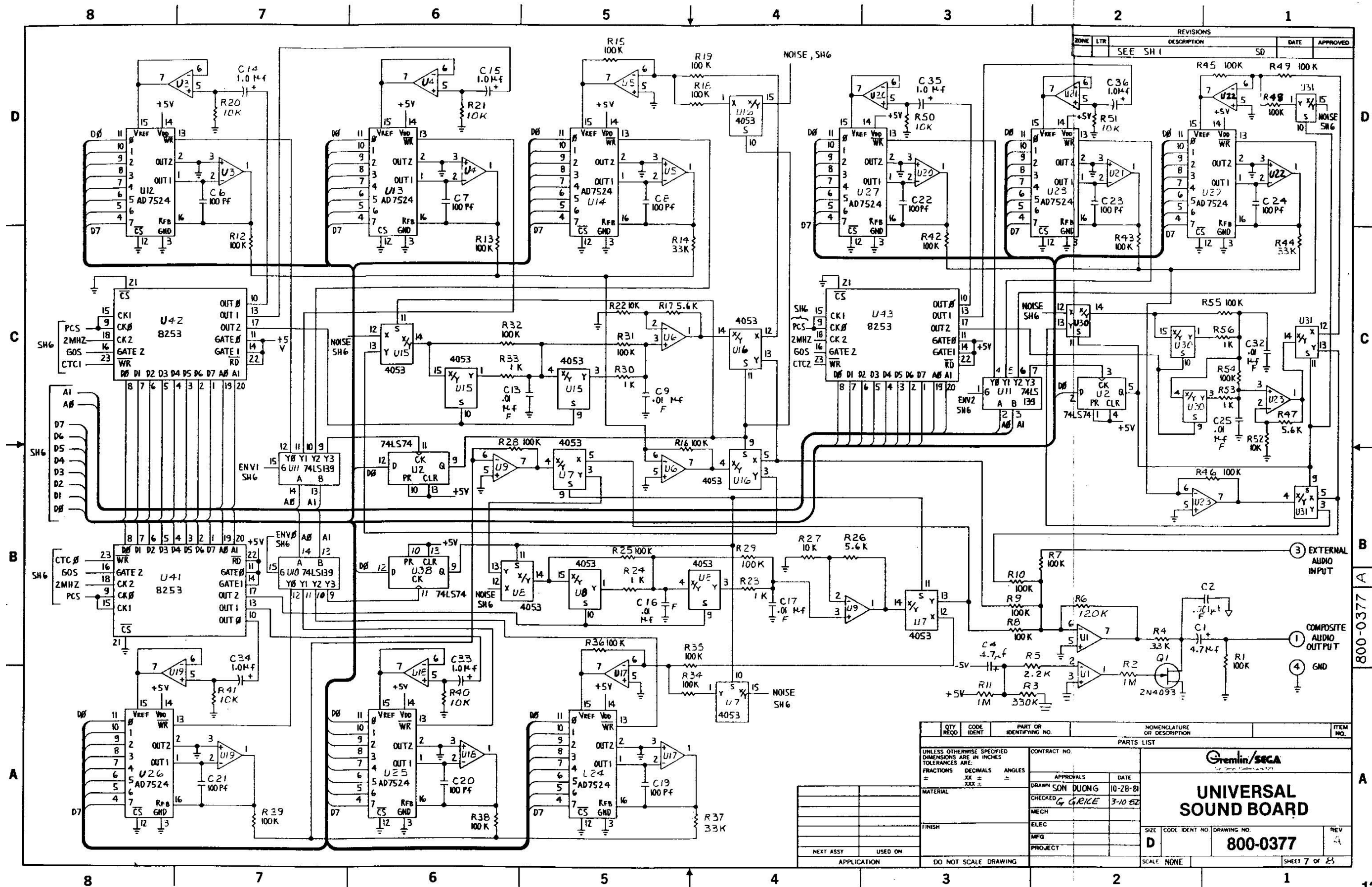
REV	DATE	DESCRIPTION

2. \square IS G-BC BUS
 1. ALL OP AMPS ARE TLOBZ.
 NOTES: (UNLESS OTHERWISE SPECIFIED)

QTY REQD	CODE IDENT	PART OR IDENTIFYING NO.	NOMENCLATURE OR DESCRIPTION	ITEM NO.
PARTS LIST				
UNLESS OTHERWISE SPECIFIED DIMENSIONS ARE IN INCHES TOLERANCES ARE: FRACTIONS DECIMALS ANGLES ± .XX ± .XXX ± °				
MATERIAL		CONTRACT NO.		
FINISH		APPROVALS		
NEXT ASSY		DRAWN SON DUONG 10-23-81		
USED ON		CHECKED G. GRINE 3-10-82		
APPLICATION		MECH		
DO NOT SCALE DRAWING		ELEC		
		MFG		
		PROJECT		
		SIZE CODE IDENT NO. DRAWING NO.		
		D 800-0377		
		SCALE NONE		
		SHEET 6 OF 25		

Gremlin/SEGA
UNIVERSAL SOUND BOARD

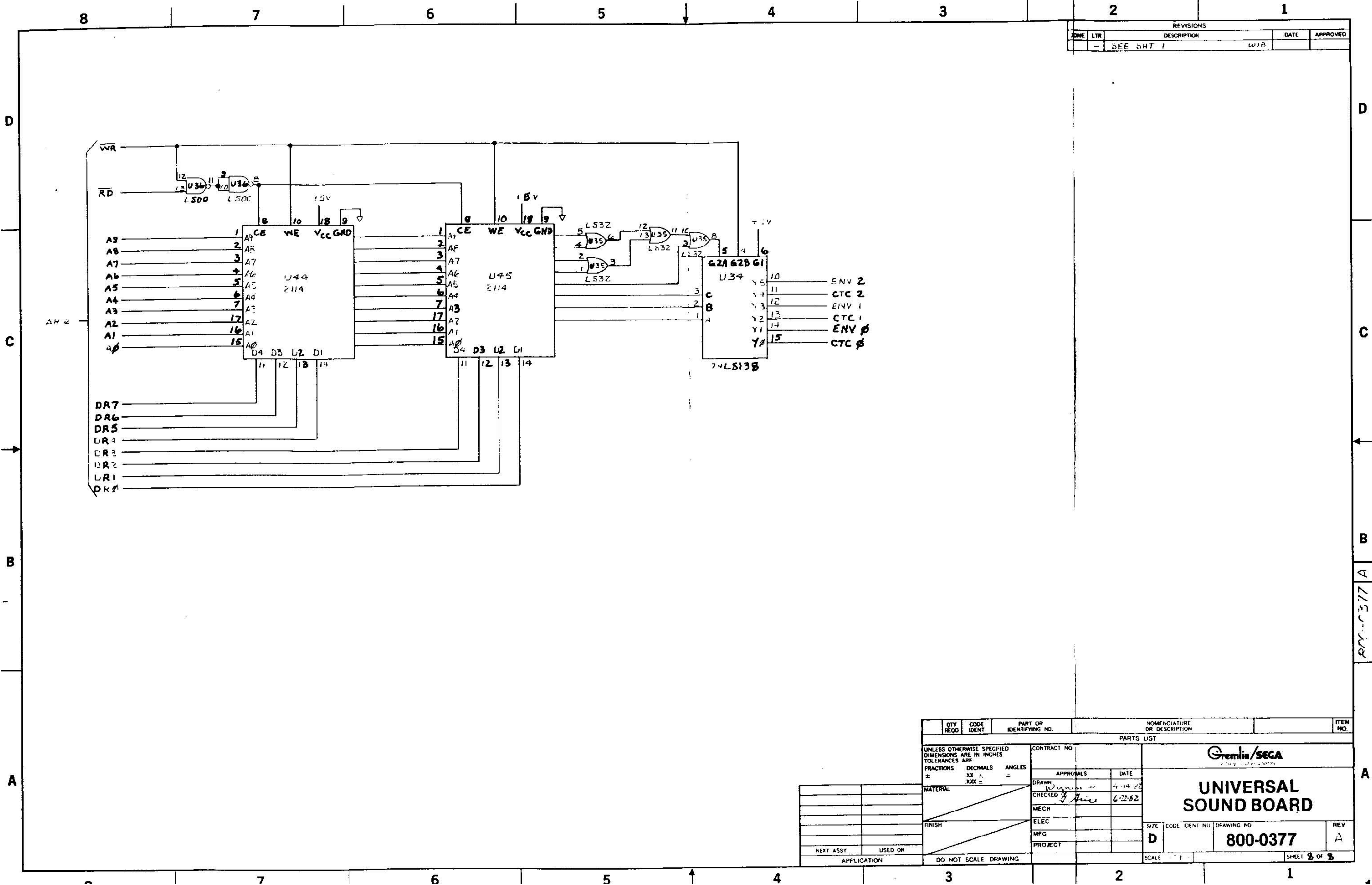
800-0377 A



ZONE	LTR	DESCRIPTION	DATE	APPROVED
		SEE SH 1		

QTY		CODE	PART OR IDENTIFYING NO.	NOMENCLATURE OR DESCRIPTION	ITEM NO.
UNLESS OTHERWISE SPECIFIED DIMENSIONS ARE IN INCHES TOLERANCES ARE: FRACTIONS DECIMALS ANGLES XX ± .XXX ± °					
MATERIAL			CONTRACT NO.		
FINISH			APPROVALS		
NEXT ASSY USED ON			DRAWN SON DUONG 10-28-81		
APPLICATION			CHECKED G GRICE 3-10-82		
DO NOT SCALE DRAWING			MECH		
			ELEC		
			MFG		
			PROJECT		
SCALE NONE		SIZE CODE IDENT NO DRAWING NO.		REV	
		D 800-0377		4	
		SHEET 7 OF 25			

800-0377



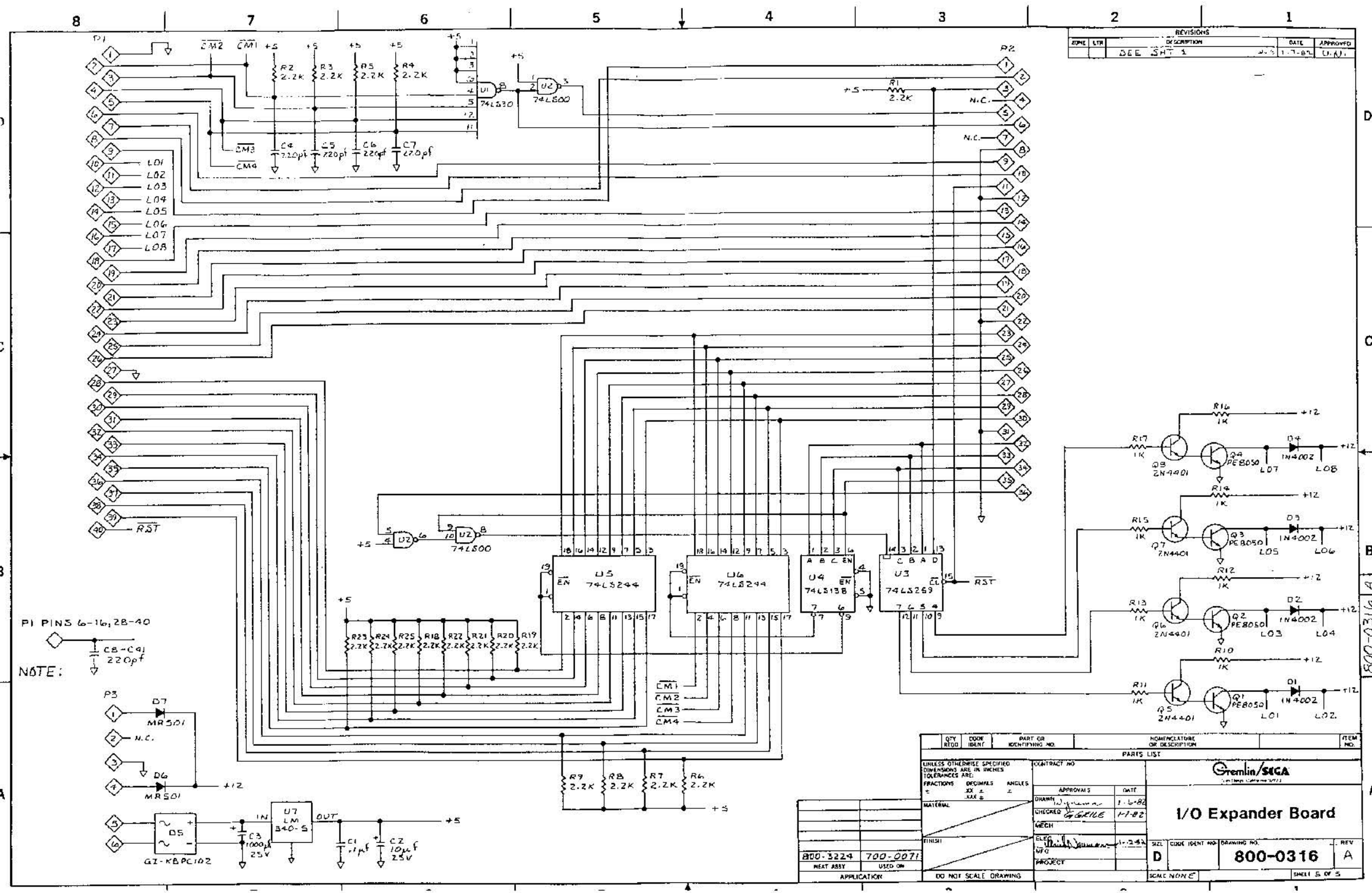
REVISIONS				
ZONE	LTR	DESCRIPTION	DATE	APPROVED
-	-	SEE SHT 1	WJP	

QTY REQD	CODE IDENT	PART OR IDENTIFYING NO.	NOMENCLATURE OR DESCRIPTION	ITEM NO.
PARTS LIST				
UNLESS OTHERWISE SPECIFIED DIMENSIONS ARE IN INCHES TOLERANCES ARE:		CONTRACT NO.		
FRACTIONS	DECIMALS	ANGLES	APPROVALS	DATE
±	XX ±	±		6-22-82
±	XXX ±			
MATERIAL	FINISH		DRAWN	DATE
			CHECKED	6-22-82
			MECH	
			ELEC	
			MFG	
			PROJECT	
NEXT ASSY	USED ON	SCALE		
APPLICATION	DO NOT SCALE DRAWING	SHEET 2 OF 3		

Gremlin/SEGA
UNIVERSAL SOUND BOARD

SIZE CODE IDENT NO DRAWING NO
D 800-0377

REV. C-377 A



REVISIONS				
ZONE	LTR	DESCRIPTION	DATE	APPROVED
	DEE	SHT 1	1-7-82	(U.A.)

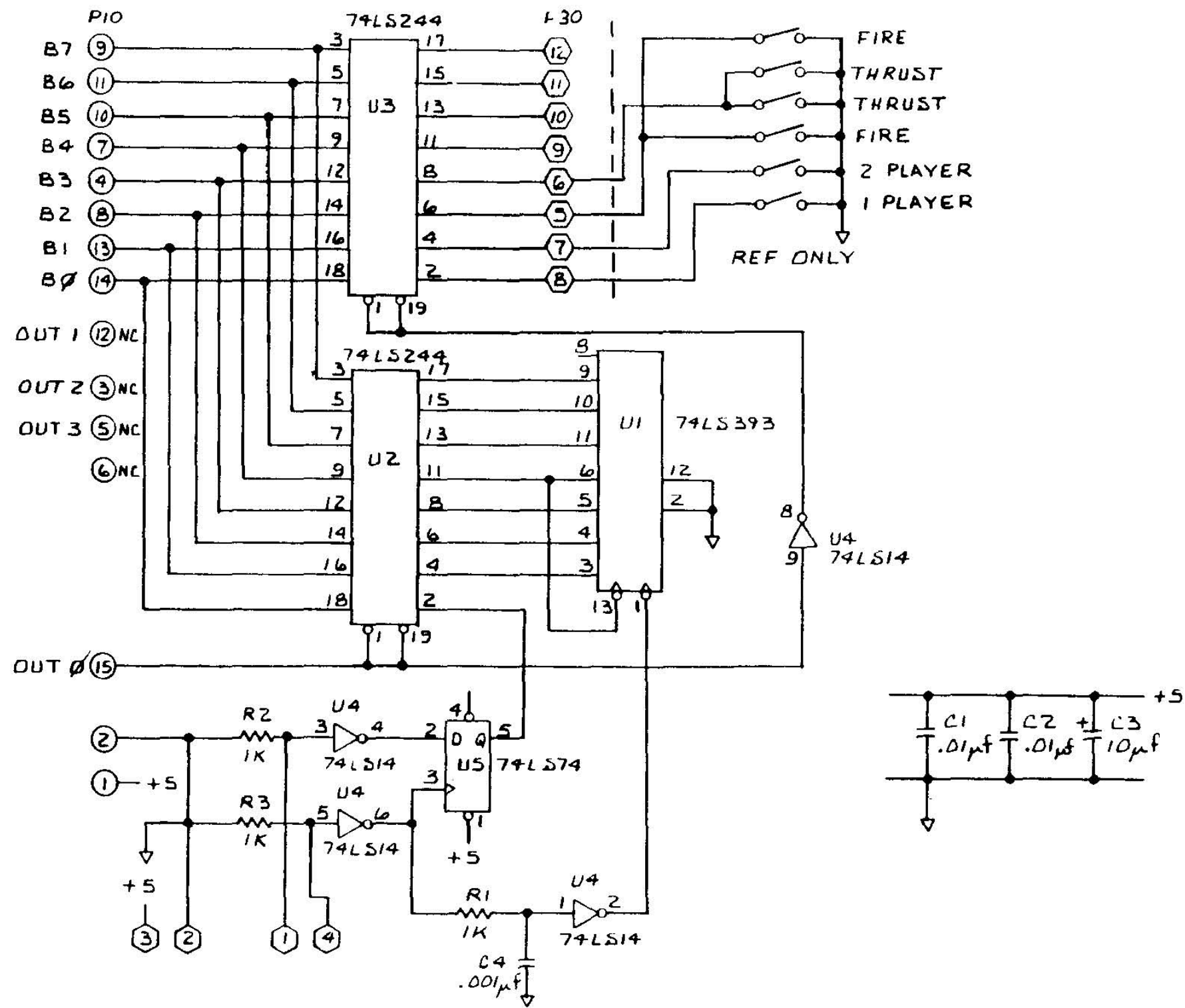
NOTE:
P1 PINS 6-16, 28-40
C5-C9
220pf

QTY	CODE	PART OR	NOMENCLATURE	ITEM
REQD	IDENT	IDENTIFYING NO.	OR DESCRIPTION	NO.
PARTS LIST				
UNLESS OTHERWISE SPECIFIED DIMENSIONS ARE IN INCHES TOLERANCES ARE: FRACTIONS DECIMALS ANGLES ± .010 ± .005 ± .010				
MATERIAL		CONTRACT NO.		
FINISH		APPROVALS DATE		
DRAWN		CHECKED		
ELECT		MECH		
PROJECT		SCALE		
NEXT ASSY		USED ON		
APPLICATION		DO NOT SCALE DRAWING		

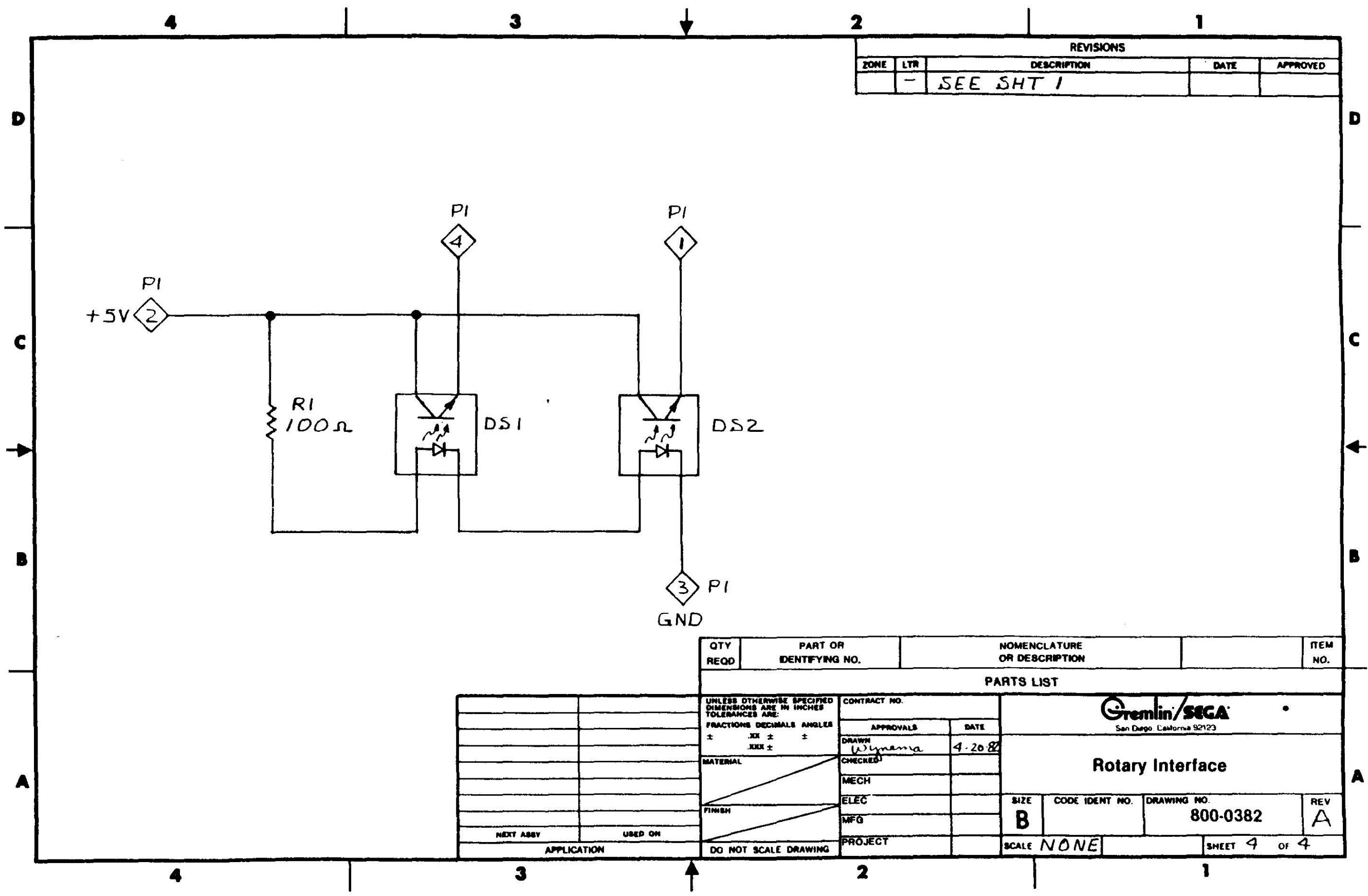
Gremlin/SICA
I/O Expander Board

800-0316 A

REV A



Single Player Control
Panel Interface
800-0374



REVISIONS				
ZONE	LTR	DESCRIPTION	DATE	APPROVED
	-	SEE SHT 1		

QTY REQD	PART OR IDENTIFYING NO.	NOMENCLATURE OR DESCRIPTION	ITEM NO.
----------	-------------------------	-----------------------------	----------

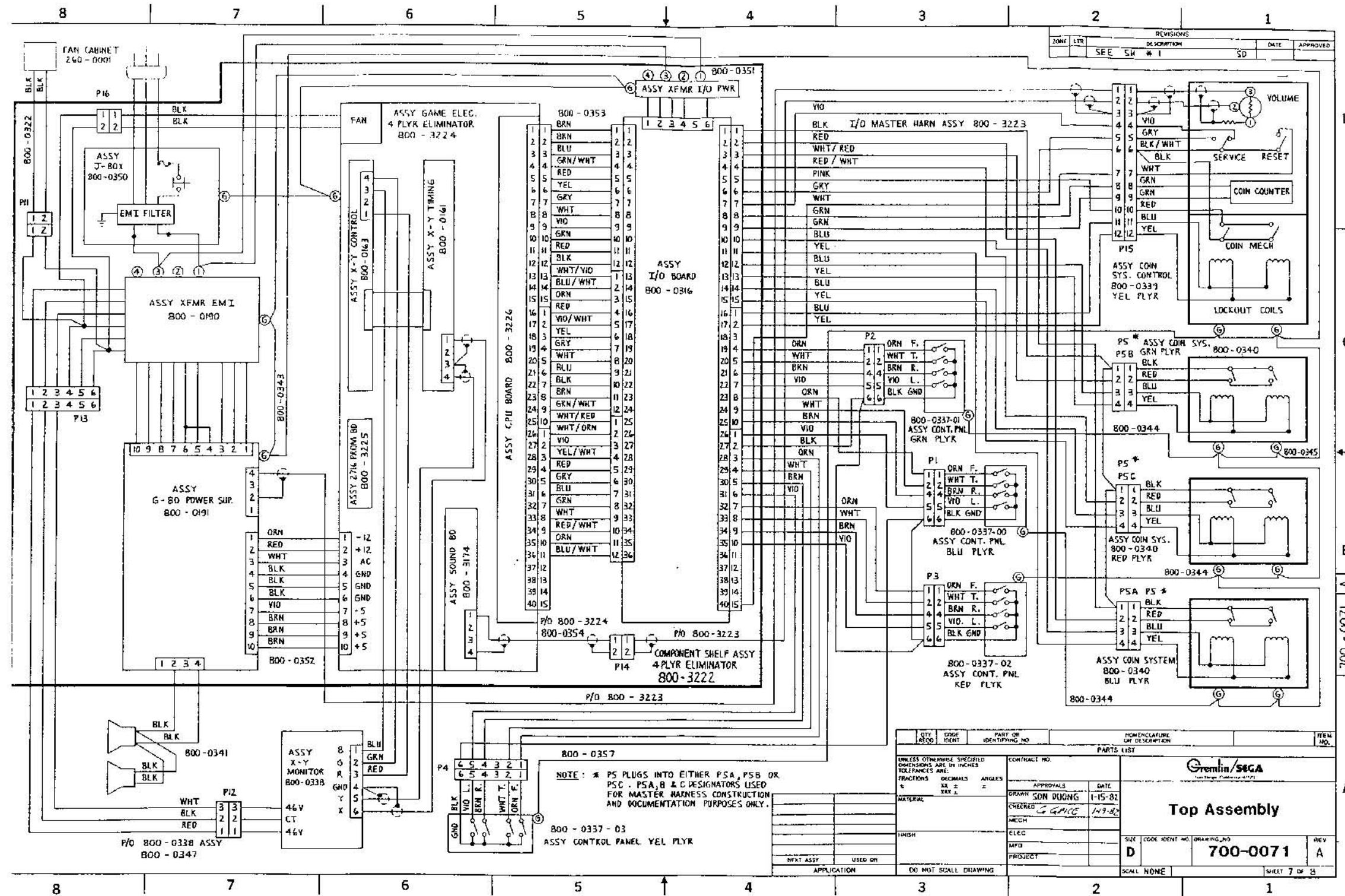
PARTS LIST			
UNLESS OTHERWISE SPECIFIED DIMENSIONS ARE IN INCHES TOLERANCES ARE:		CONTRACT NO.	
FRACTIONS	DECIMALS	ANGLES	APPROVALS
±	.XX ±	±	DATE
	.XXX ±		<i>Wynema</i>
MATERIAL	MECH		4-26-82
FINISH	ELEC		CHECKED
	MFG		
NEXT ASSY	USED ON	SIZE	CODE IDENT NO.
APPLICATION	DO NOT SCALE DRAWING	B	800-0382
		PROJECT	DRAWING NO.
		SCALE NONE	REV A
		SHEET 4 OF 4	



Rotary Interface

SIZE B CODE IDENT NO. DRAWING NO. 800-0382 REV A

SCALE NONE SHEET 4 OF 4

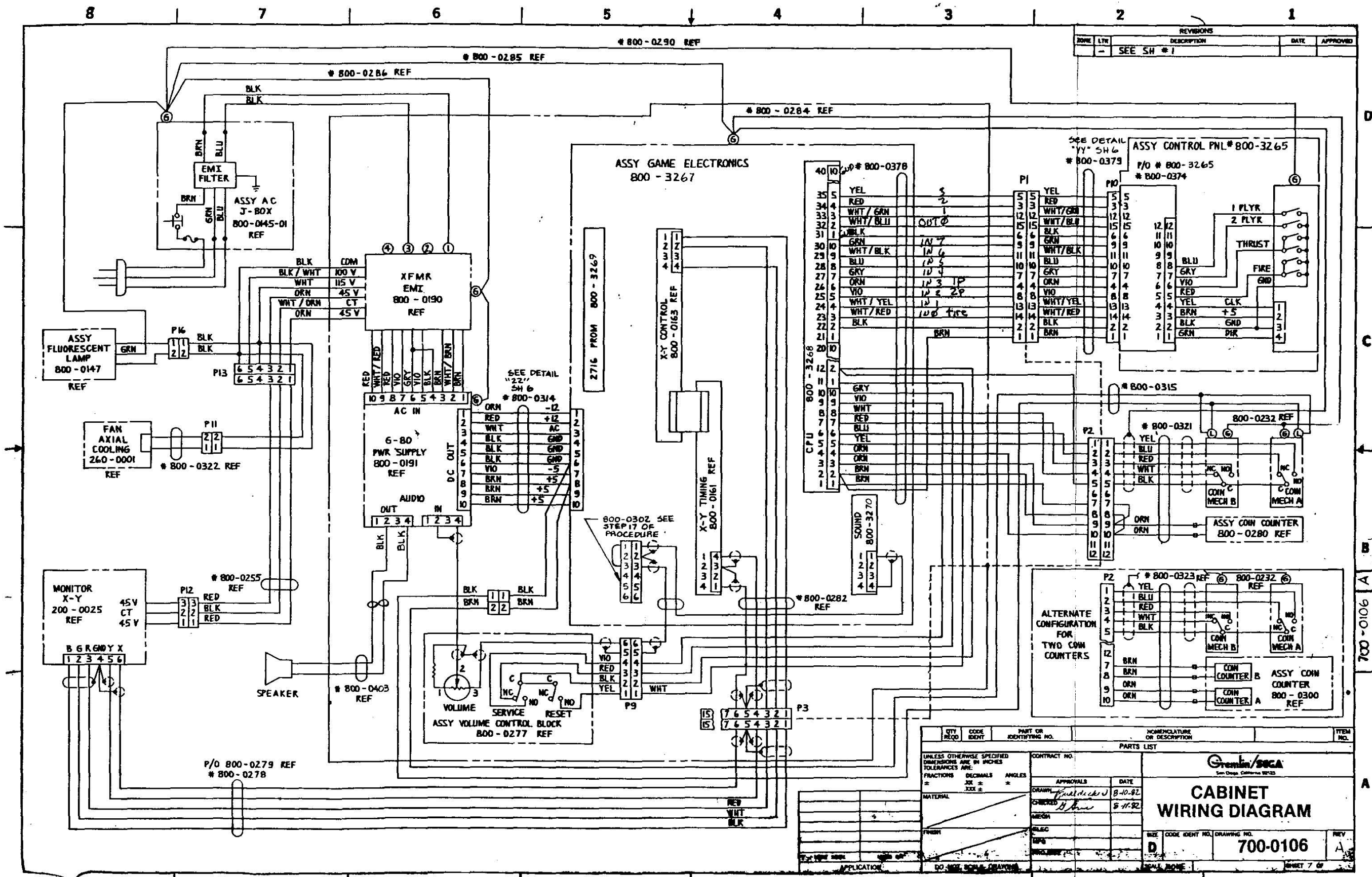


ZONE	LTR	REVISIONS	DATE	APPROVED
SEE SW # 1		DESCRIPTION	SD	

QTY	CODE	PART OR IDENTIFYING NO	NOMENCLATURE OR DESCRIPTION	ITEM NO.

APPROVALS	DATE
DRAWN SON DUONG	1-15-82
CHECKED G. GRICE	1-19-82
ELEC	
MECH	
MFG	
PROJECT	

Top Assembly 700-0071	
SIZE	CODE IDENT NO. DRAWING NO.
D	
REV	A
SHEET 7 OF 8	



REVISIONS			
ZONE	LTN	DESCRIPTION	DATE
-	-	SEE SH #1	

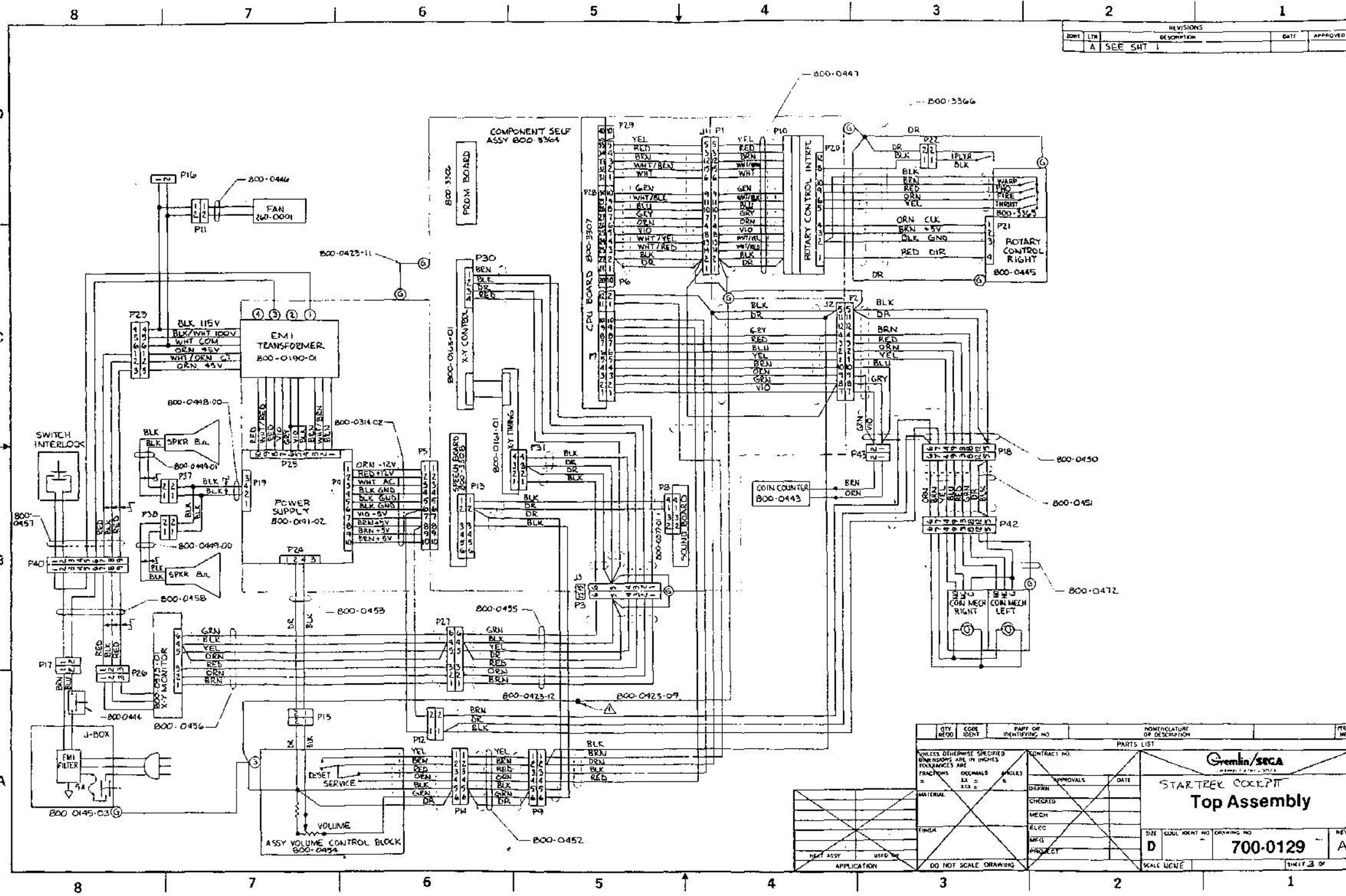
QTY	CODE	PART OR IDENTIFYING NO.	NOMENCLATURE OR DESCRIPTION	ITEM NO.
PARTS LIST				
UNLESS OTHERWISE SPECIFIED DIMENSIONS ARE IN INCHES TOLERANCES ARE: FRACTIONS DECIMALS ANGLES				
DRAWN: <i>[Signature]</i> DATE: 8-10-82				
CHECKED: <i>[Signature]</i> DATE: 8-11-82				
MATERIAL:				
FINISH:				
APPLICATION:				
CONTRACT NO.			APPROVALS	
DATE			DATE	
MATERIAL			DATE	
FINISH			DATE	
APPLICATION			DATE	

Grenin/BOCA
San Diego, California 92123

CABINET WIRING DIAGRAM

700-0106

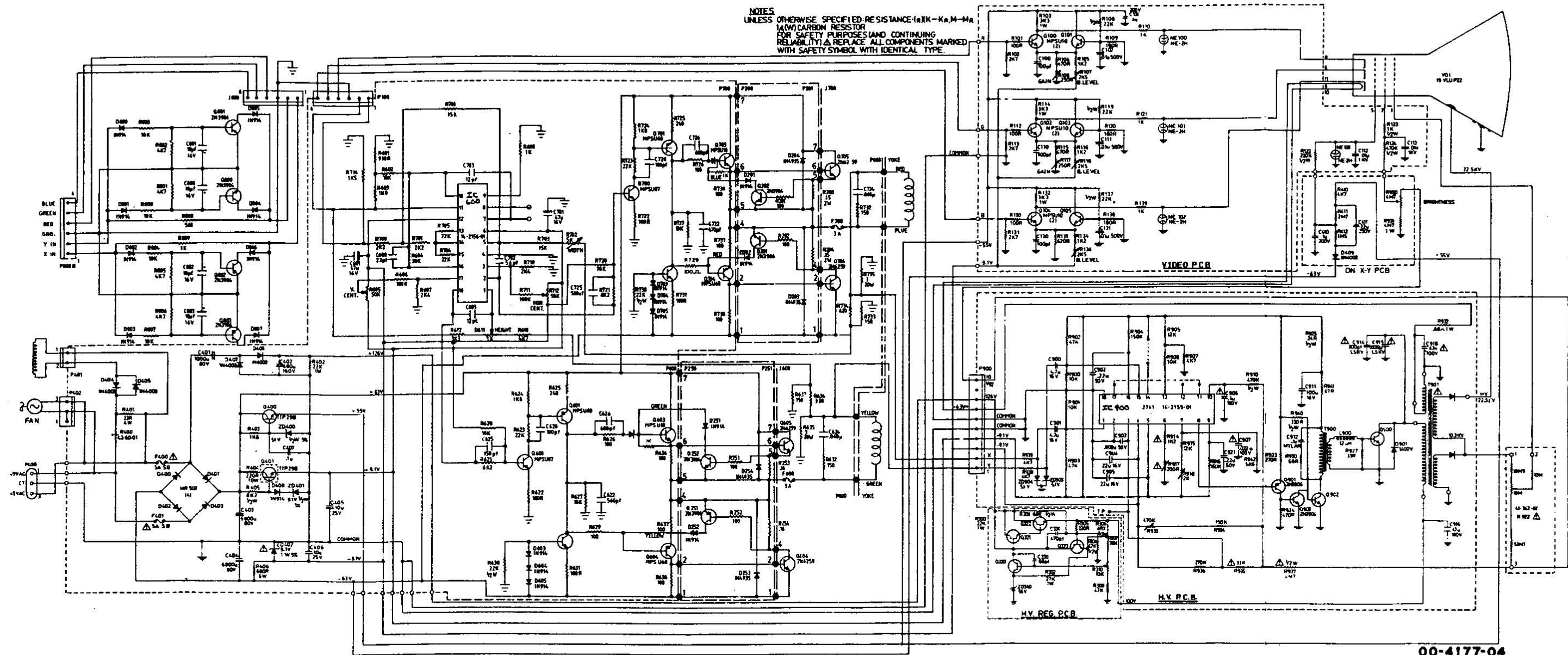
700-0106 A



REVISED		REVISIONS	DATE	APPROVED
REV	LTN	DESCRIPTION		
A		SEE SHT 1		

QTY	CODE	PARTY OR IDENTIFYING NO	ITEM NO.
UNLESS OTHERWISE SPECIFIED DIMENSIONS ARE IN INCHES FRACTIONS DECIMALS ANGLES			
MATERIAL		CONTRACT NO.	
FINISH		APPROVALS	
NEXT ASSY		CHECKED	
APPLICATION		MECH	
		ELEC	
		RFG	
		PROJECT	

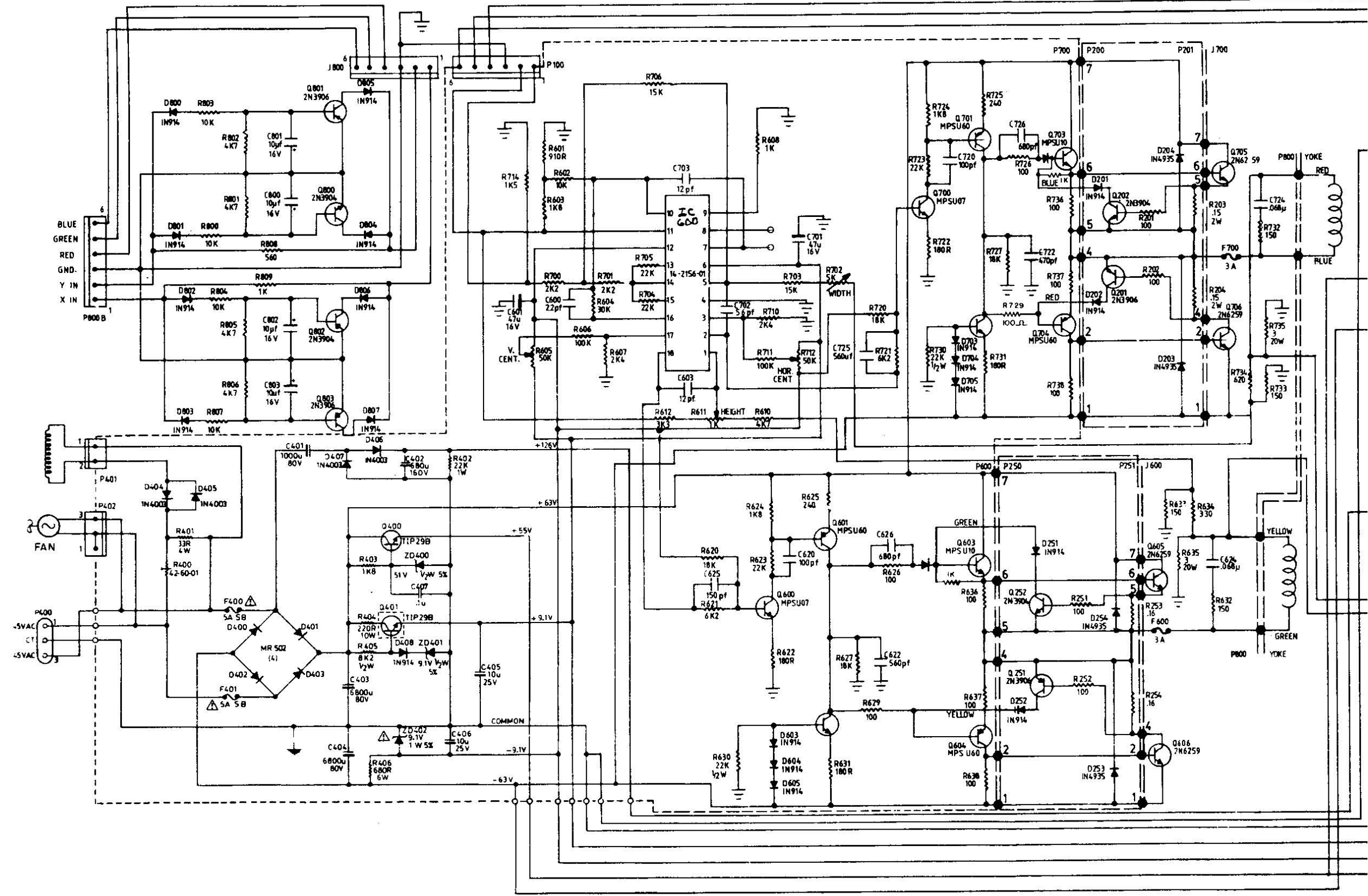
PARTS LIST			
STAR TREK COCKPIT Top Assembly			
SIZE	QDCL IDENT NO	DRAWING NO	REV
D		700-0129	A
SCALE NOTE		SHEET 3 OF	



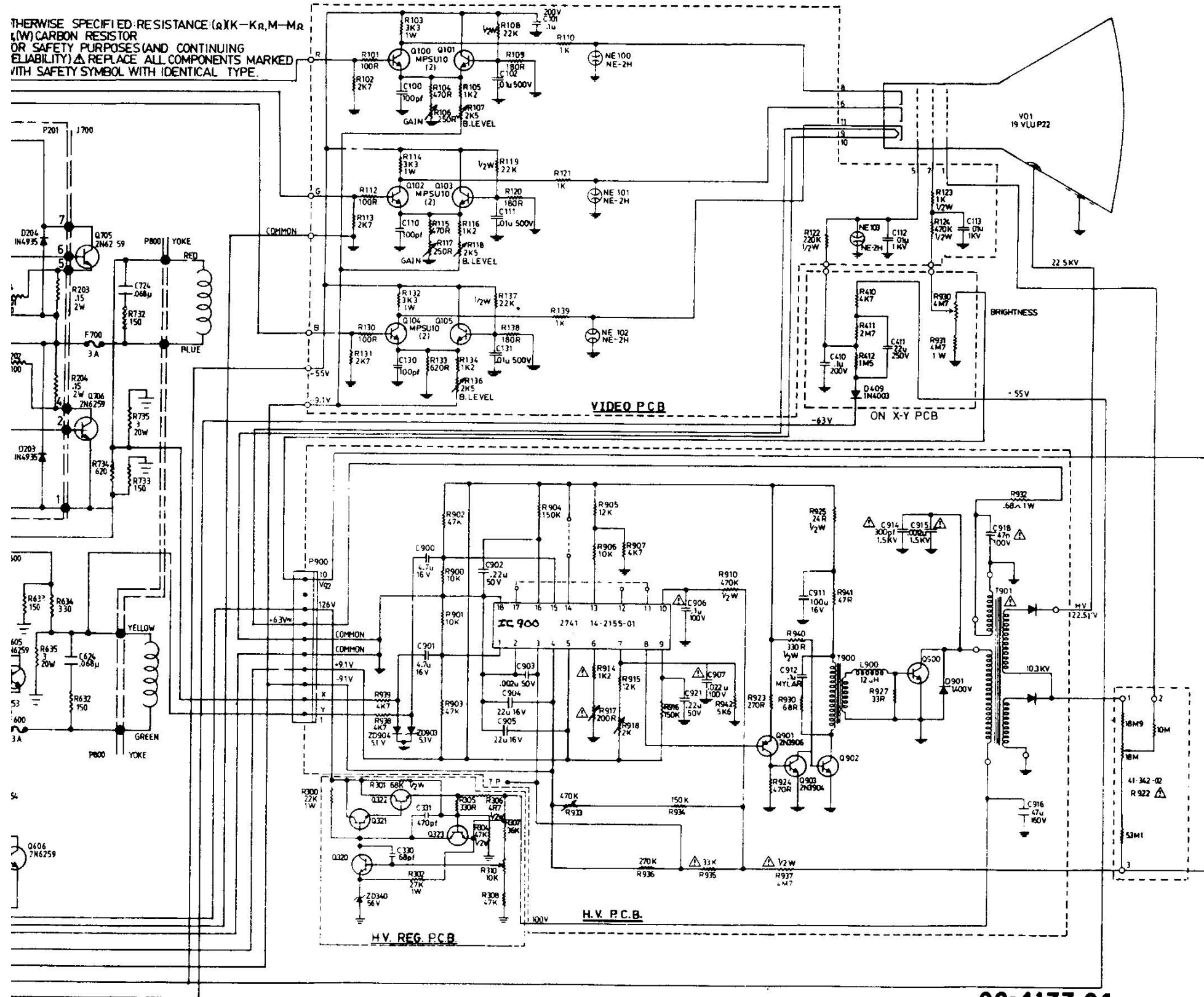
00-4177-04

Model Number GO8-003

NOTES
 UNLESS OTHERWISE SPECIFIED RESISTANCE (K)K-
 1/4(W) CARBON RESISTOR
 FOR SAFETY PURPOSES (AND CONTINUING
 RELIABILITY) REPLACE ALL COMPONENTS
 WITH SAFETY SYMBOL WITH IDENTICAL TM



OTHERWISE SPECIFIED RESISTANCE (R) K-K, M-M, W-W
 (W) CARBON RESISTOR
 OR SAFETY PURPOSES (AND CONTINUING
 ELIABILITY) Δ REPLACE ALL COMPONENTS MARKED
 WITH SAFETY SYMBOL WITH IDENTICAL TYPE.



00-4177-04