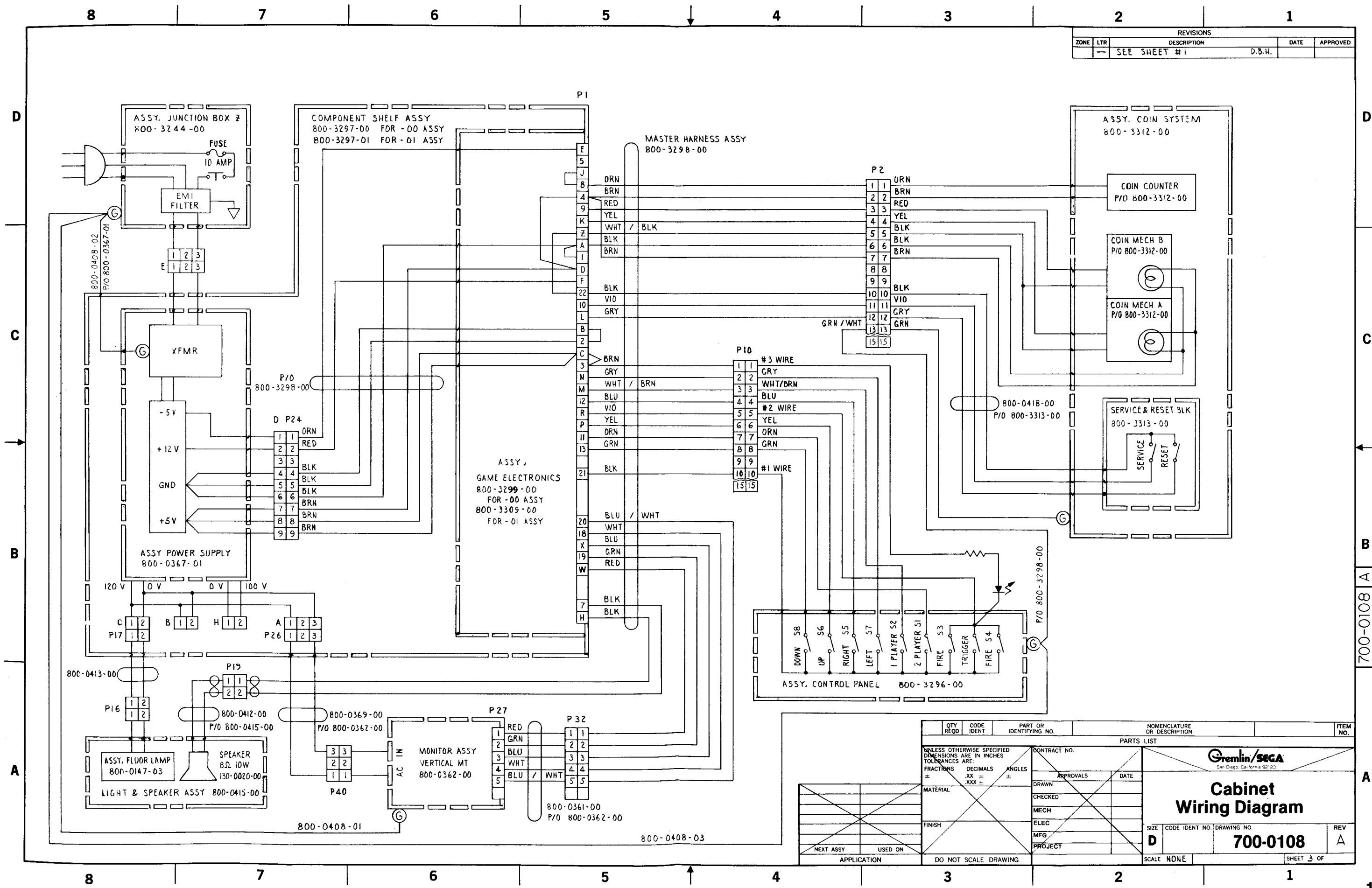
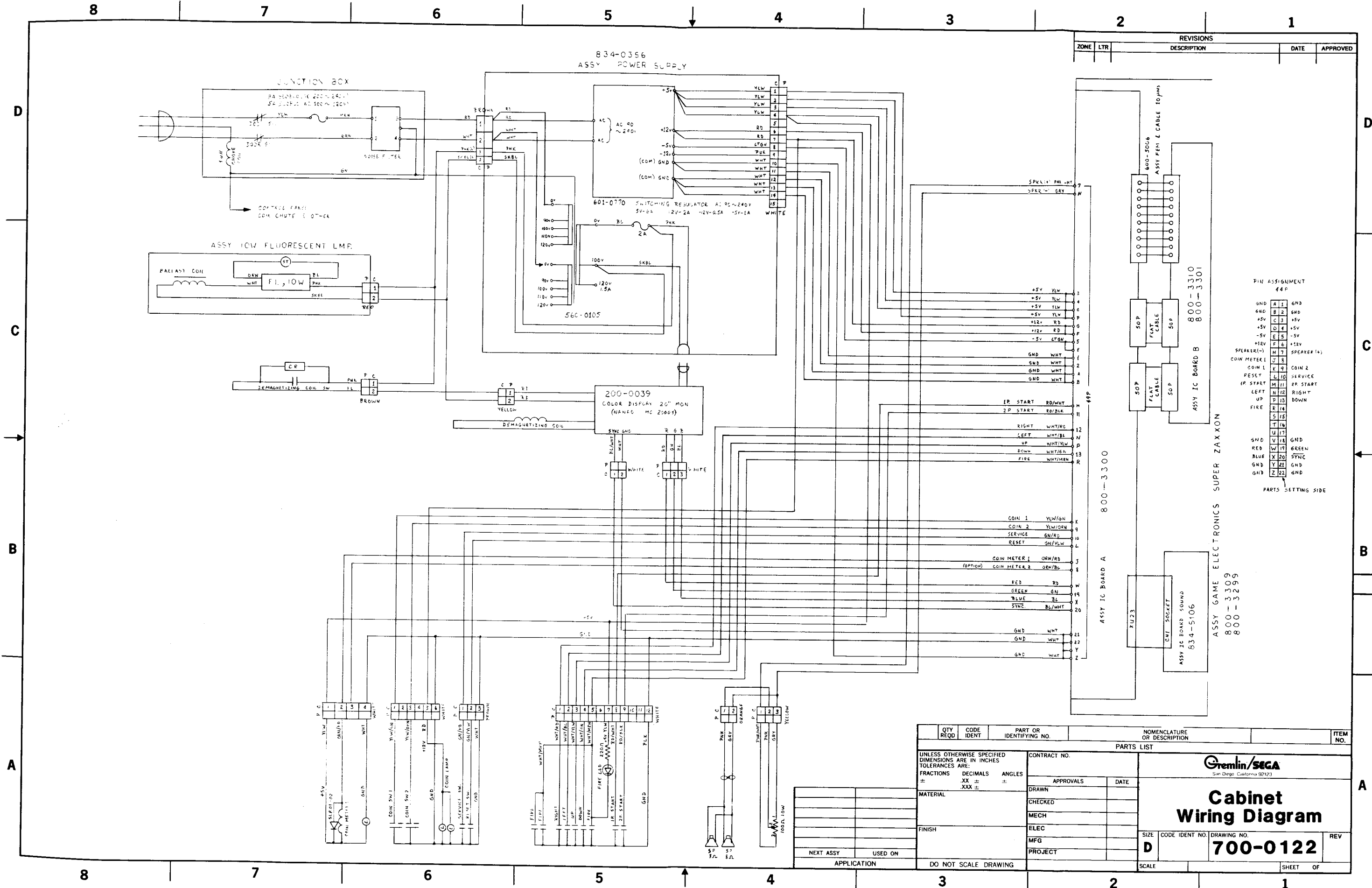


REVISIONS				
ZONE	LTR	DESCRIPTION	DATE	APPROVED
-	-	SEE SHEET #1	D.B.H.	



QTY	REQD	CODE	PART OR IDENTIFYING NO.	NOMENCLATURE OR DESCRIPTION	ITEM NO.
PARTS LIST					
UNLESS OTHERWISE SPECIFIED DIMENSIONS ARE IN INCHES TOLERANCES ARE:					
FRACTIONS	DECIMALS	ANGLES			
±	.XX ±	±			
MATERIAL			CONTRACT NO.	APPROVALS	DATE
FINISH			DRAWN		
NEXT ASSY			CHECKED		
USED ON			MECH		
APPLICATION			ELEC		
DO NOT SCALE DRAWING			MFG		
			PROJECT		
SCALE NONE				SIZE	REV
				D	Δ
				CODE IDENT NO.	DRAWING NO.
				700-0108	700-0108
				SHEET 3 OF	

700-0108 A



REVISIONS				
ZONE	LTR	DESCRIPTION	DATE	APPROVED

PIN ASSIGNMENT
44P

GND	A 1	GND
GND	B 2	GND
+5V	C 3	+5V
+5V	D 4	+5V
-5V	E 5	-5V
+12V	F 6	+12V
SPEAKER(-)	H 7	SPEAKER(+)
COIN METER 1	J 8	
COIN 1	K 9	COIN 2
RESET	L 10	SERVICE
IP START	M 11	2P START
LEFT	N 12	RIGHT
UP	P 13	DOWN
FIRE	R 14	
	S 15	
	T 16	
	U 17	
GND	V 18	GND
RED	W 19	GREEN
BLUE	X 20	SYNC
GND	Y 21	GND
GND	Z 22	GND

PARTS SETTING SIDE

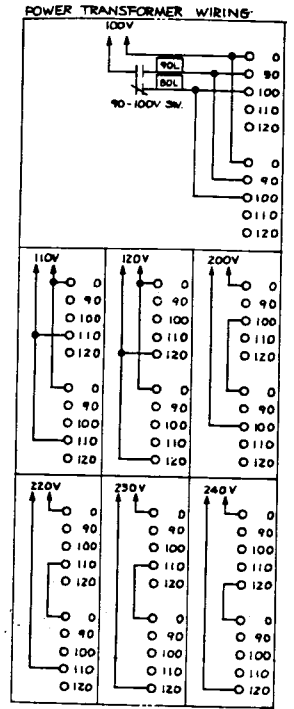
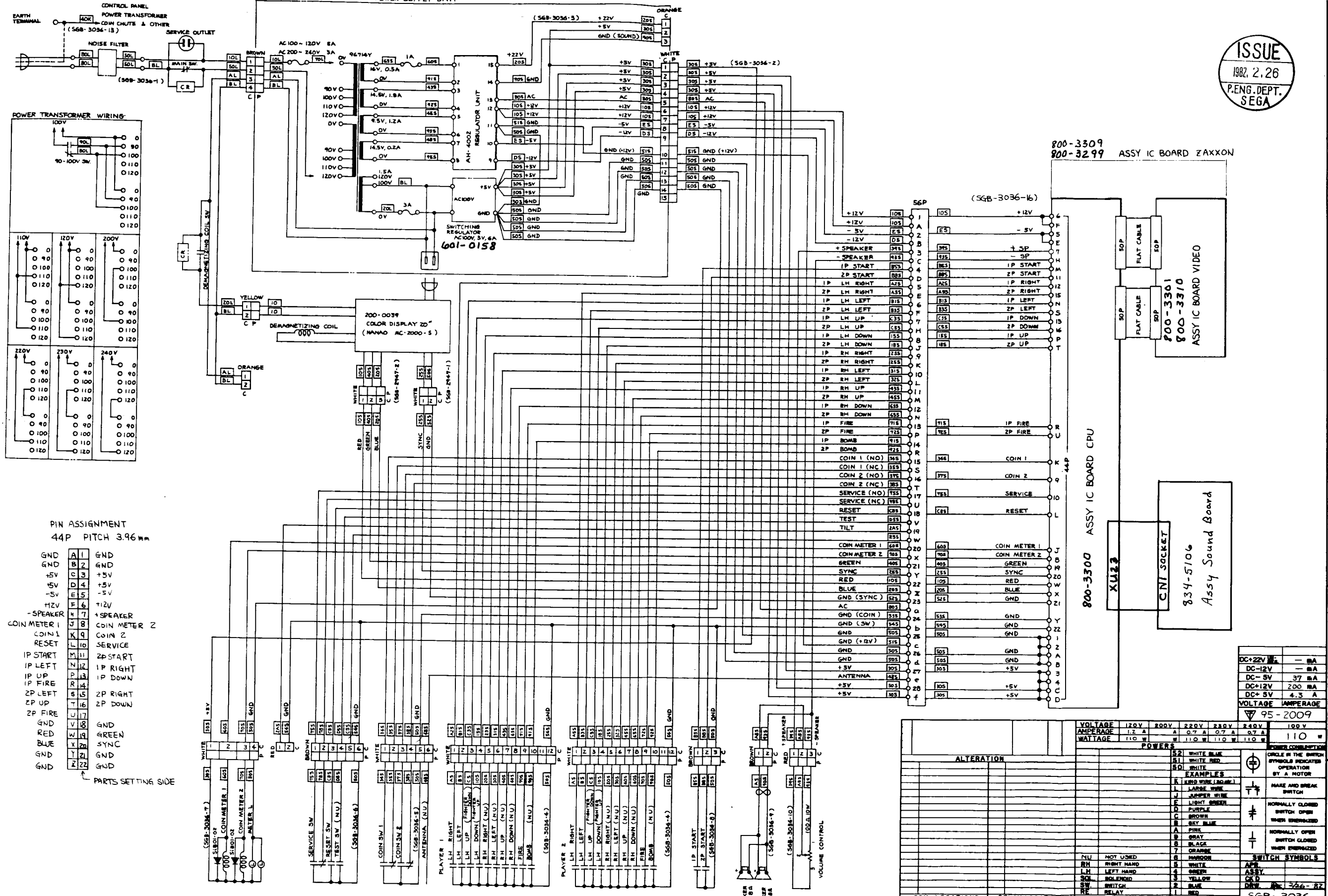
QTY REQD	CODE IDENT	PART OR IDENTIFYING NO.	NOMENCLATURE OR DESCRIPTION	ITEM NO.
PARTS LIST				
UNLESS OTHERWISE SPECIFIED DIMENSIONS ARE IN INCHES. TOLERANCES ARE:		CONTRACT NO.		
FRACTIONS	DECIMALS	ANGLES	APPROVALS	
±	.XX ±	±	DATE	
MATERIAL		DRAWN		
FINISH		CHECKED		
NEXT ASSY		MECH		
USED ON		ELEC		
APPLICATION		MFG		
DO NOT SCALE DRAWING		PROJECT		
SIZE	CODE IDENT NO.	DRAWING NO.	REV	
D		700-0122		
SCALE	SHEET		OF	

Gremlin/SEGA
San Diego California 92123

Cabinet Wiring Diagram

834-0340 POWER SUPPLY UNIT

ISSUE
1982.2.26
P.ENG.DEPT.
SEGA



PIN ASSIGNMENT
44P PITCH 3.96mm

GND	A1	GND
GND	B2	GND
+5V	C3	+5V
+5V	D4	+5V
-5V	E5	-5V
-5V	F6	-5V
+12V	G7	+12V
-SPEAKER	H8	+SPEAKER
COIN METER 1	J9	COIN METER 2
COIN 1	K10	COIN 2
RESET	L11	SERVICE
IP START	M12	2P START
IP LEFT	N13	1P RIGHT
IP UP	P14	1P DOWN
IP FIRE	R15	1P UP
2P LEFT	S16	2P RIGHT
2P UP	T17	2P DOWN
2P FIRE	U18	
GND	V19	GND
RED	W20	GREEN
BLUE	X21	SYNC
GND	Y22	GND
GND	Z23	GND

↑ PARTS SETTING SIDE

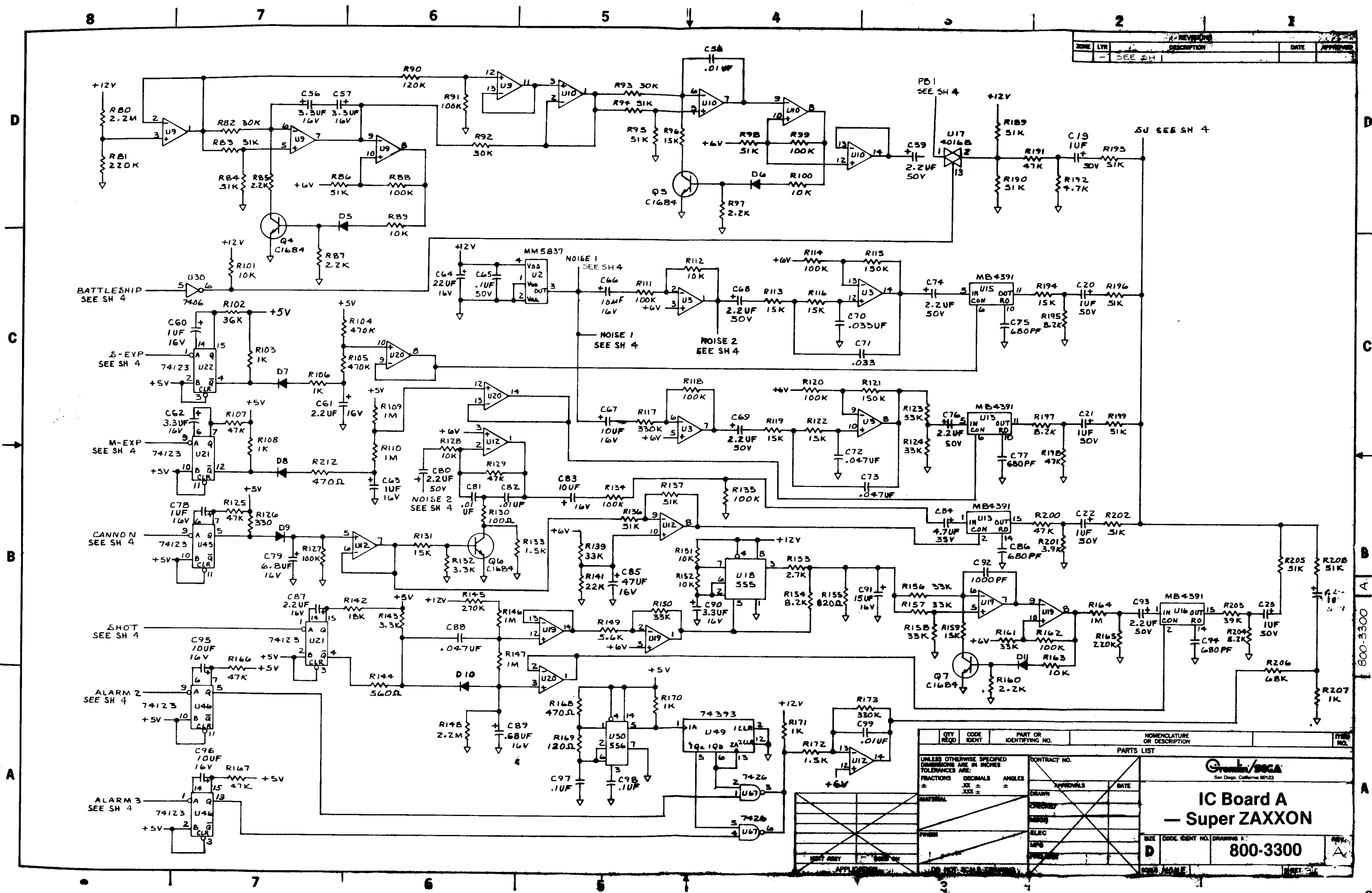
DC+22V	—	—	—	—	—
DC-12V	—	—	—	—	—
DC-5V	37	—	—	—	—
DC+12V	200	—	—	—	—
DC+5V	4.3	—	—	—	—
VOLTAGE AMPERAGE					
▽ 95-2009					

VOLTAGE	120V	200V	220V	230V	240V	100V
AMPERAGE	1.2 A	0.7 A	0.7 A	0.7 A	0.7 A	110 W
WATTAGE	110 W	110 W	110 W	110 W	110 W	110 W

ALTERATION	POWERS	POWER CONNECTION
22 WHITE BLUE	22	COINLE IN THE SWITCH
21 WHITE RED	21	SPINBLE INDICATES
20 WHITE	20	OPERATION
EXAMPLES		
K RED WIRE (NO. 1)	K	MAKE AND BREAK SWITCH
L LARGE WIRE	L	
E JUMPER WIRE	E	
F LIGHT BROWN	F	NORMALLY CLOSED SWITCH OPEN WHEN ENERGIZED
D PURPLE	D	
C BROWN	C	NORMALLY OPEN SWITCH CLOSED WHEN ENERGIZED
B SKY BLUE	B	
A PINK	A	
9 GRAY	9	SWITCH SYMBOLS
8 BLACK	8	
7 ORANGE	7	
6 HARBOR	6	
5 WHITE	5	APL
4 GREEN	4	ASSY.
3 YELLOW	3	CRD
2 BLUE	2	SW
1 RED	1	RELAY

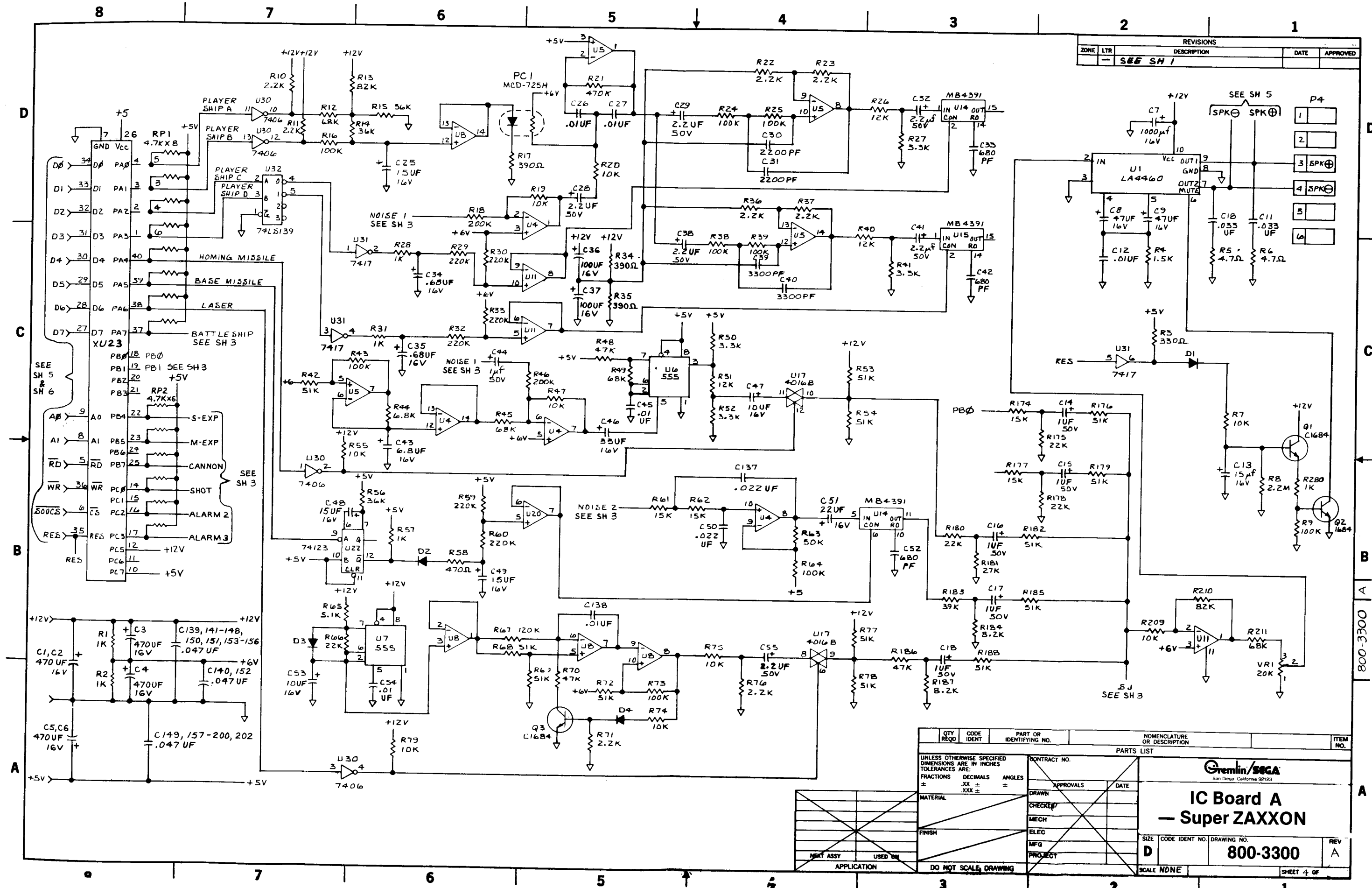
COIL LOCATIONS	RELAY LOCATIONS	ABBREVIATIONS USED	WIRE COLOR CODE
			SGB-3036

Cabinet Wiring Diagram (AC100~240V) (50/60HZ)



ZONE	LTR	DESCRIPTION	DATE	APPROVED
-	SEE SH			

QTY	REQD	CODE	IDENT	PART OR IDENTIFYING NO.	NOMENCLATURE OR DESCRIPTION	FRIB NO.
UNLESS OTHERWISE SPECIFIED DIMENSIONS ARE IN INCHES TOLERANCES ARE:						
FRACTIONS DECIMALS ANGLES						
± JOX ± ±						
± JOX ± ±						
CONTRACT NO.						
PARTS LIST						
DRAWN						
CHECKED						
ELEC						
LIPS						
PRESBY						
APPROVALS						
DATE						
IC Board A — Super ZAXXON						
SIZE CODE IDENT NO. DRAWING NO. 800-3300						
D DATE MADE						

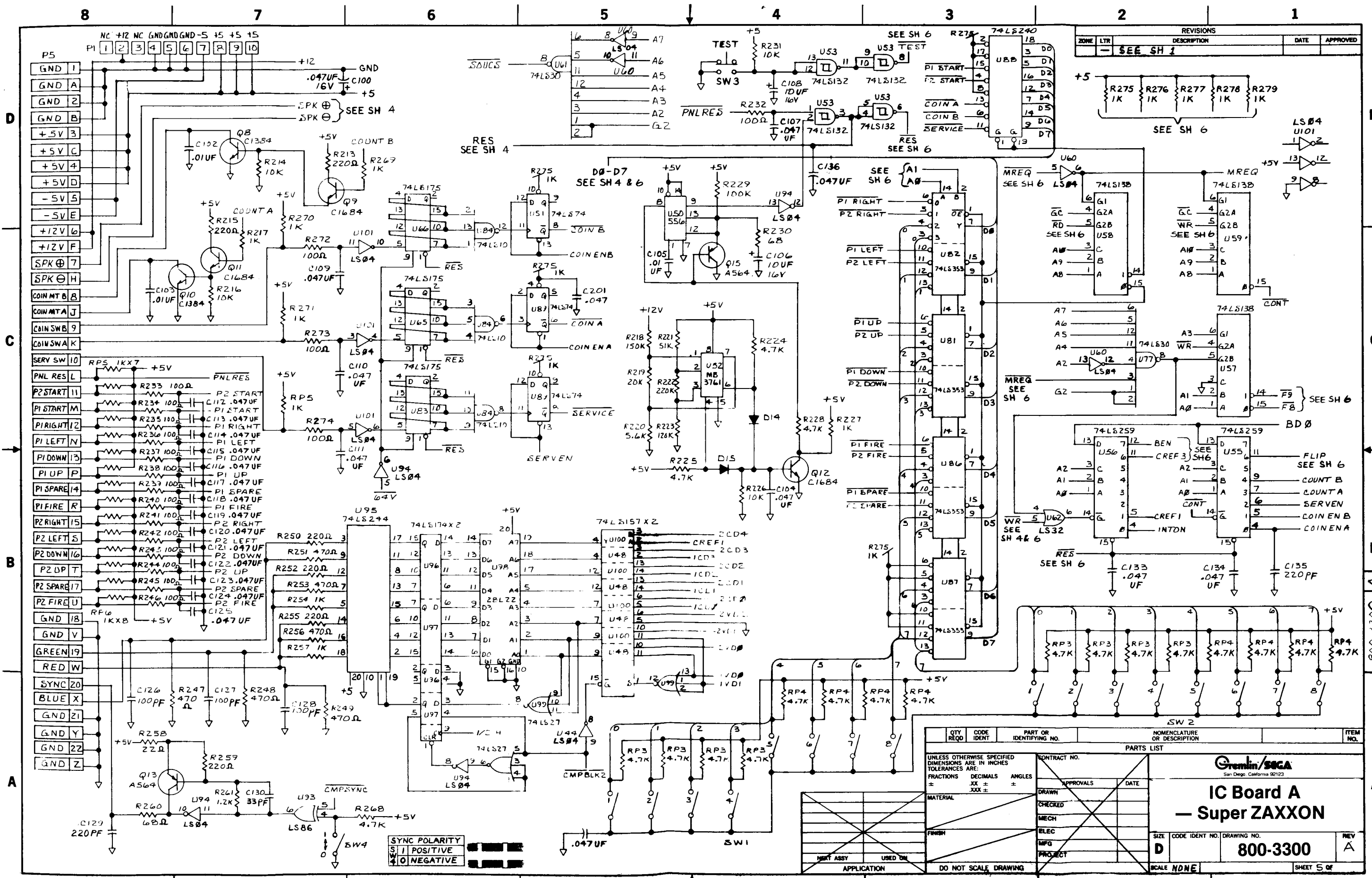


REVISIONS				
ZONE	LTR	DESCRIPTION	DATE	APPROVED
-	SEE SH 1			

QTY	CODE	PART OR IDENTIFYING NO.	NOMENCLATURE OR DESCRIPTION	ITEM NO.
PARTS LIST				
UNLESS OTHERWISE SPECIFIED DIMENSIONS ARE IN INCHES TOLERANCES ARE:				
FRACTIONS	DECIMALS	ANGLES		
±	±	±		
CONTRACT NO.				
APPROVALS				
DATE				
DRAWN				
CHECKED				
MECH				
ELEC				
MFG				
PROJECT				
SIZE			CODE IDENT NO.	DRAWING NO.
D			800-3300	REV A
SCALE			NDNE	SHEET 4 OF

IC Board A
— Super ZAXXON

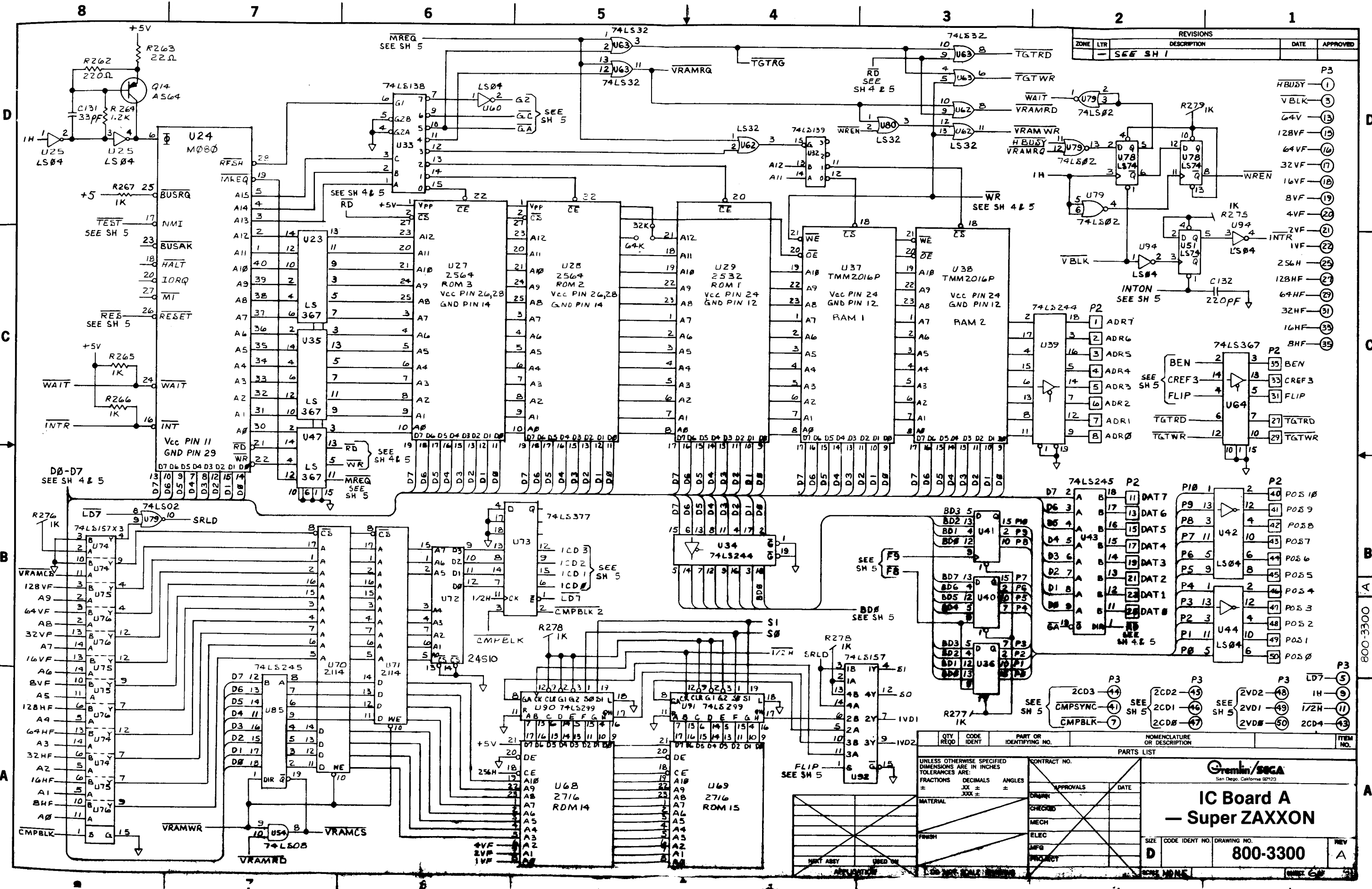
Gremlin/SCGA
 San Diego, California 92123



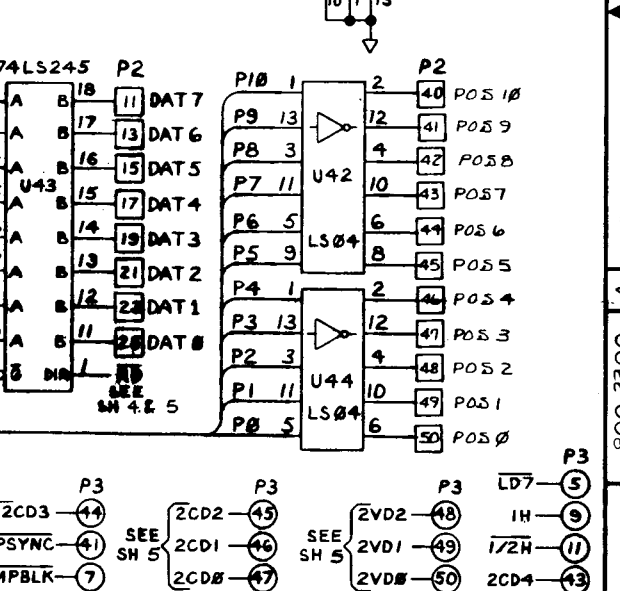
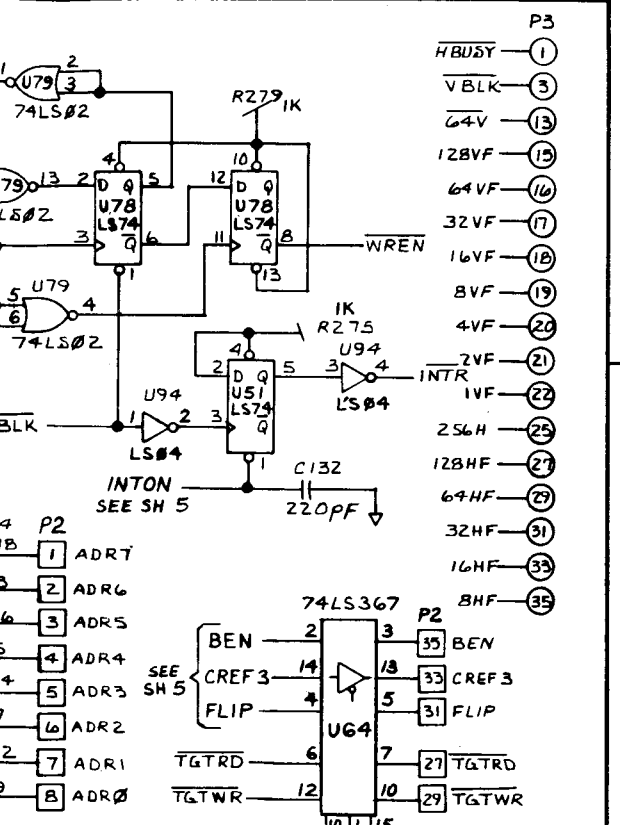
ZONE	LTR	DESCRIPTION	DATE	APPROVED
	SEE SH 1			

QTY REQD	CODE IDENT	PART OR IDENTIFYING NO.	NOMENCLATURE OR DESCRIPTION	ITEM NO.
PARTS LIST				
UNLESS OTHERWISE SPECIFIED DIMENSIONS ARE IN INCHES TOLERANCES ARE:				
FRACTIONS	DECIMALS	ANGLES		
±	±	XX ±		
MATERIAL				
FINISH				
CONTRACT NO.				
APPROVALS				
DATE				
DRAWN				
CHECKED				
MECH				
ELEC				
MFG				
PROJECT				
SCALE NDNE				
SIZE CODE IDENT NO. DRAWING NO.				REV
D 800-3300				A
SHEET 5 OF				





ZONE		LTR		DESCRIPTION	DATE	APPROVED
-		-		SEE SH 1		



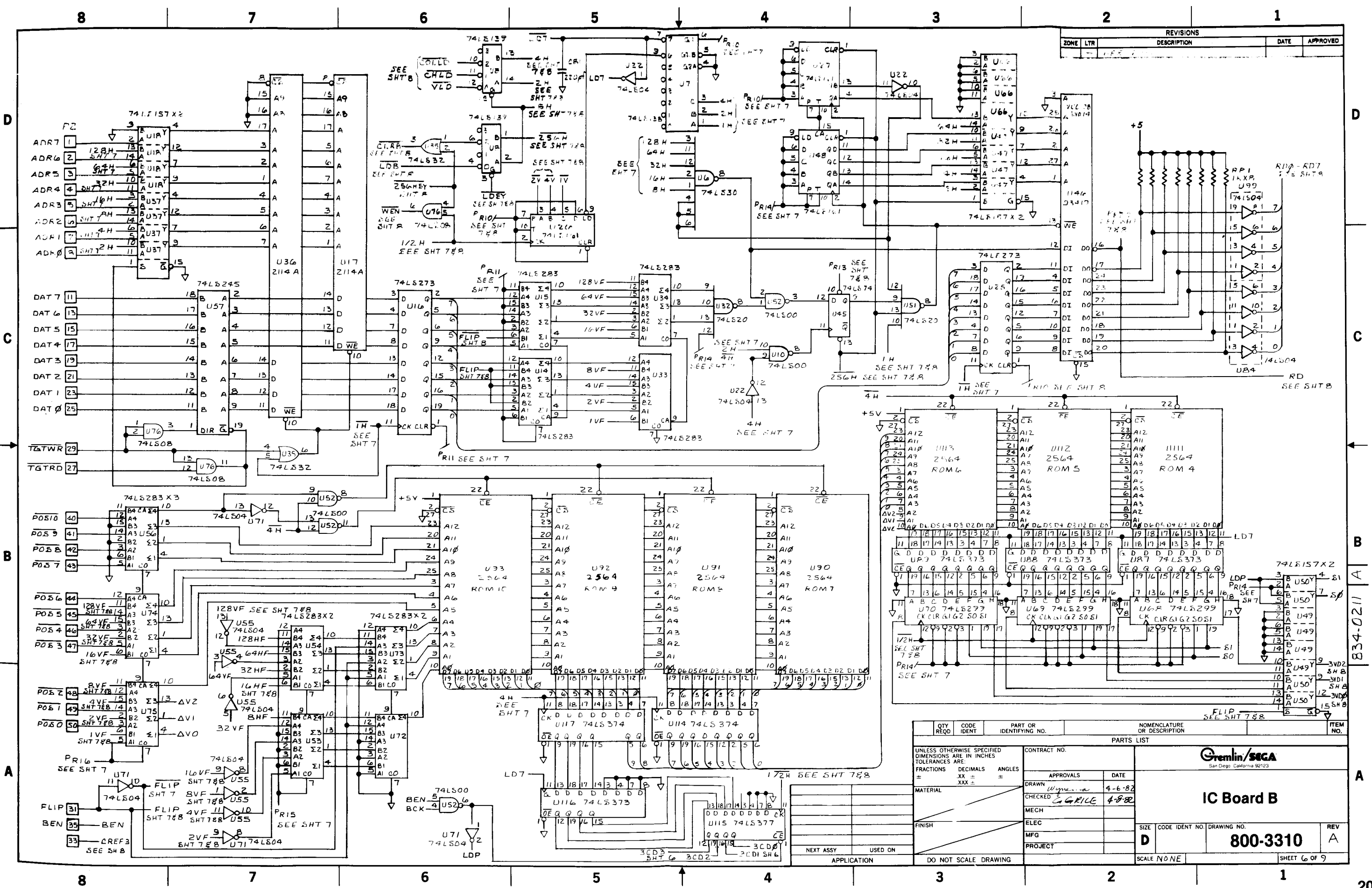
QTY		CODE	PART OR IDENTIFYING NO.	NOMENCLATURE OR DESCRIPTION	ITEM NO.
1		U24	M080		
1		U27	2564	ROM 3	
1		U28	2564	ROM 2	
1		U29	2532	ROM 1	
1		U37	TMM2016P	RAM 1	
1		U38	TMM2016P	RAM 2	
1		U39	74LS244		
1		U47	367		
1		U48	2716	RDM 14	
1		U49	2716	RDM 15	
1		U50	74LS299		
1		U68	2716	RDM 14	
1		U69	2716	RDM 15	
1		U70	74LS299		
1		U71	2114		
1		U72	24S10		
1		U73	74LS377		
1		U74	74LS157X3		
1		U75	74LS157		
1		U76	74LS157		
1		U77	74LS157		
1		U78	LS74		
1		U79	74LS02		
1		U80	LS32		

UNLESS OTHERWISE SPECIFIED DIMENSIONS ARE IN INCHES TOLERANCES ARE: FRACTIONS DECIMALS ANGLES ± .010 ± .005 ± .010 ± .010

Greiner/SOGA
San Diego, California 92123

IC Board A
— Super ZAXXON

SIZE	CODE IDENT NO.	DRAWING NO.	REV
D		800-3300	A



ZONE		LTR		REVISIONS	DATE	APPROVED
				DESCRIPTION		

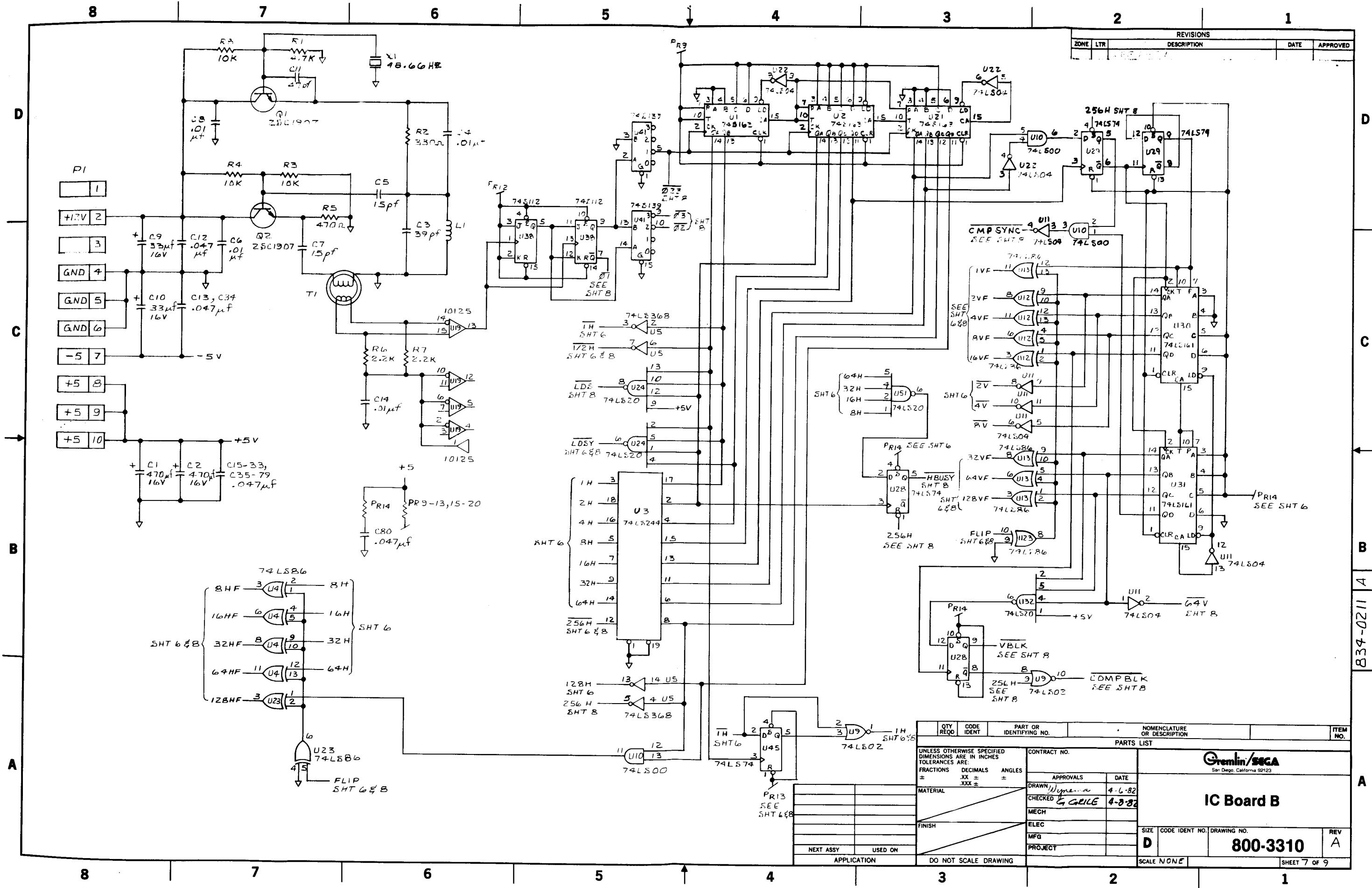
QTY REQD	CODE IDENT	PART OR IDENTIFYING NO.	NOMENCLATURE OR DESCRIPTION	ITEM NO.

UNLESS OTHERWISE SPECIFIED DIMENSIONS ARE IN INCHES TOLERANCES ARE:		CONTRACT NO.	
FRACTIONS	DECIMALS	ANGLES	
=	XX ±	=	

APPROVALS		DATE
DRAWN	WYNE	4-6-82
CHECKED	GARILE	4-8-82
MECH		
ELEC		
MFG		
PROJECT		

PARTS LIST		Gremlin/SCGA San Diego, California 92123	
IC Board B			
SIZE	CODE IDENT NO.	DRAWING NO.	REV
D		800-3310	A
SCALE NONE		SHEET 6 OF 9	

834-0211 A



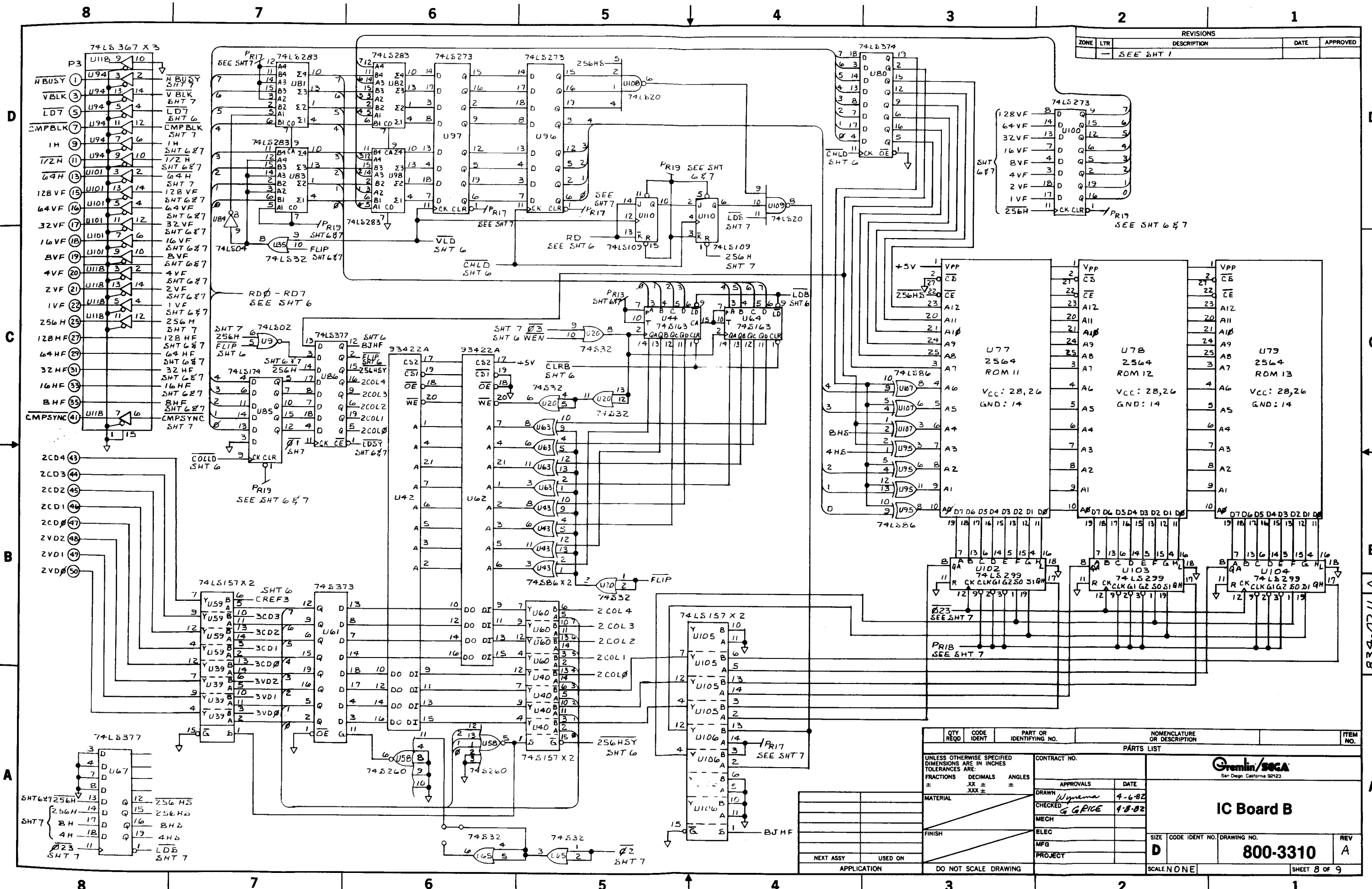
REVISIONS				
ZONE	LTR	DESCRIPTION	DATE	APPROVED

QTY REQD	CODE IDENT	PART OR IDENTIFYING NO.	NOMENCLATURE OR DESCRIPTION	ITEM NO.
UNLESS OTHERWISE SPECIFIED DIMENSIONS ARE IN INCHES TOLERANCES ARE FRACTIONS DECIMALS ANGLES ± .XX ± .XXX ±				
MATERIAL		CONTRACT NO.		
FINISH		APPROVALS DATE		
NEXT ASSY USED ON APPLICATION		DRAWN <i>W. J. ...</i> 4-6-82		
		CHECKED <i>G. GRIFFIN</i> 4-8-82		
		MECH		
		ELEC		
		MFG		
		PROJECT		
		SIZE CODE IDENT NO. DRAWING NO.		
		D 800-3310 A		
		SCALE NONE SHEET 7 OF 9		

834-0211 A

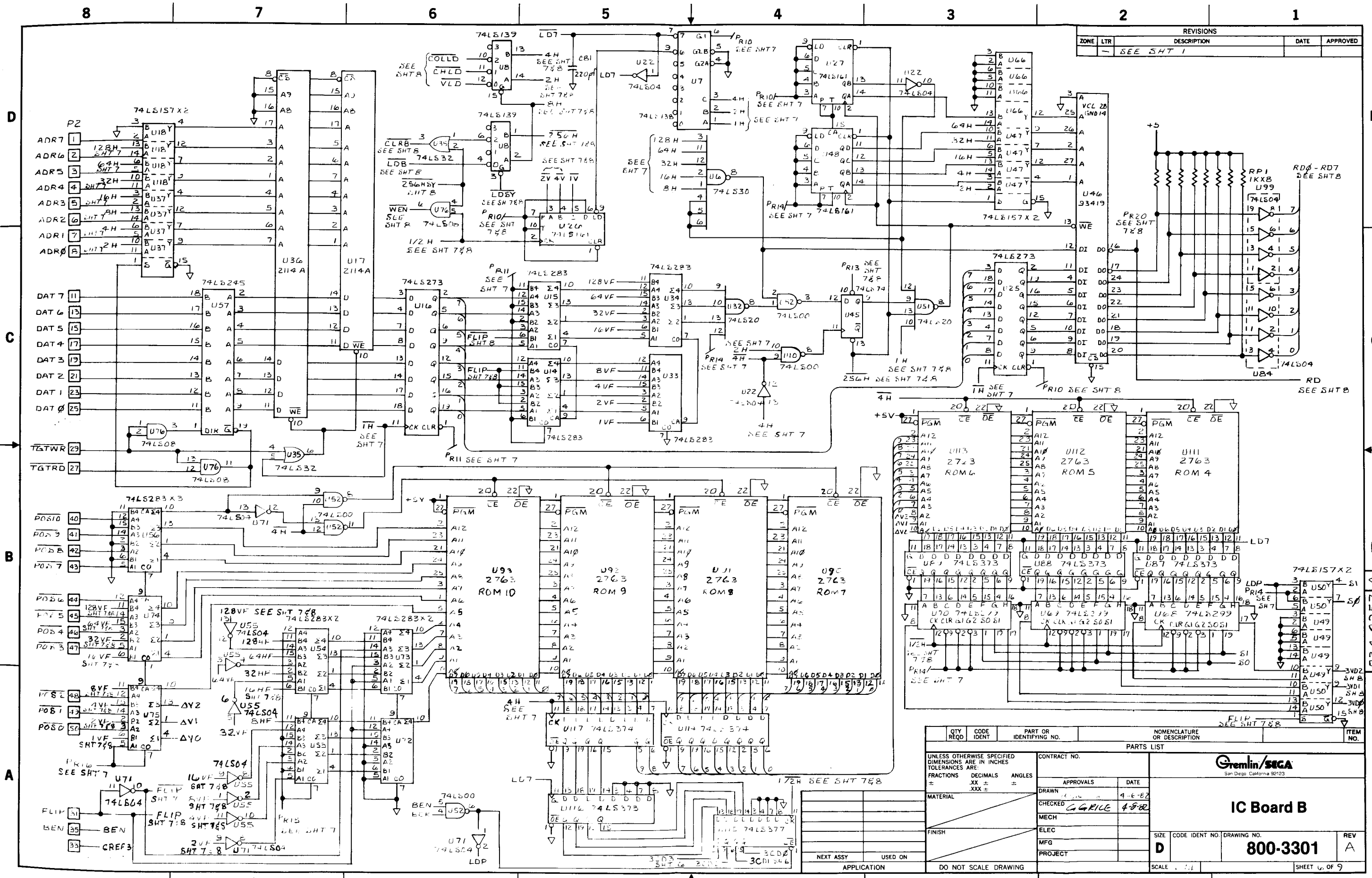
A

REVISIONS				
ZONE	LTR	DESCRIPTION	DATE	APPROVED
		SEE SHT 1		



QTY REQD	CODE IDENT	PART OR IDENTIFYING NO.	NOMENCLATURE OR DESCRIPTION	ITEM NO.																		
PARTS LIST																						
UNLESS OTHERWISE SPECIFIED DIMENSIONS ARE IN INCHES TOLERANCES ARE:		<table border="1"> <tr> <td>CONTRACT NO.</td> <td>DATE</td> </tr> <tr> <td>APPROVALS</td> <td></td> </tr> <tr> <td>DRAWN <i>Wynema</i></td> <td>4-6-82</td> </tr> <tr> <td>CHECKED <i>G GRICE</i></td> <td>4-8-82</td> </tr> <tr> <td>MATERIAL</td> <td></td> </tr> <tr> <td>MECH</td> <td></td> </tr> <tr> <td>ELEC</td> <td></td> </tr> <tr> <td>MFG</td> <td></td> </tr> <tr> <td>PROJECT</td> <td></td> </tr> </table>			CONTRACT NO.	DATE	APPROVALS		DRAWN <i>Wynema</i>	4-6-82	CHECKED <i>G GRICE</i>	4-8-82	MATERIAL		MECH		ELEC		MFG		PROJECT	
CONTRACT NO.	DATE																					
APPROVALS																						
DRAWN <i>Wynema</i>	4-6-82																					
CHECKED <i>G GRICE</i>	4-8-82																					
MATERIAL																						
MECH																						
ELEC																						
MFG																						
PROJECT																						
FRACTIONS ±	DECIMALS .XX ±	ANGLES XXX ±	<p>San Diego, California 92123</p> <h2>IC Board B</h2>																			
SCALE NONE																						
NEXT ASSY USED ON		SIZE CODE IDENT NO. DRAWING NO.		REV																		
APPLICATION		800-3310		A																		
DO NOT SCALE DRAWING		SHEET 8 OF 9																				

834-0211 A



REVISIONS				
ZONE	LTR	DESCRIPTION	DATE	APPROVED
		SEE SHT 1		

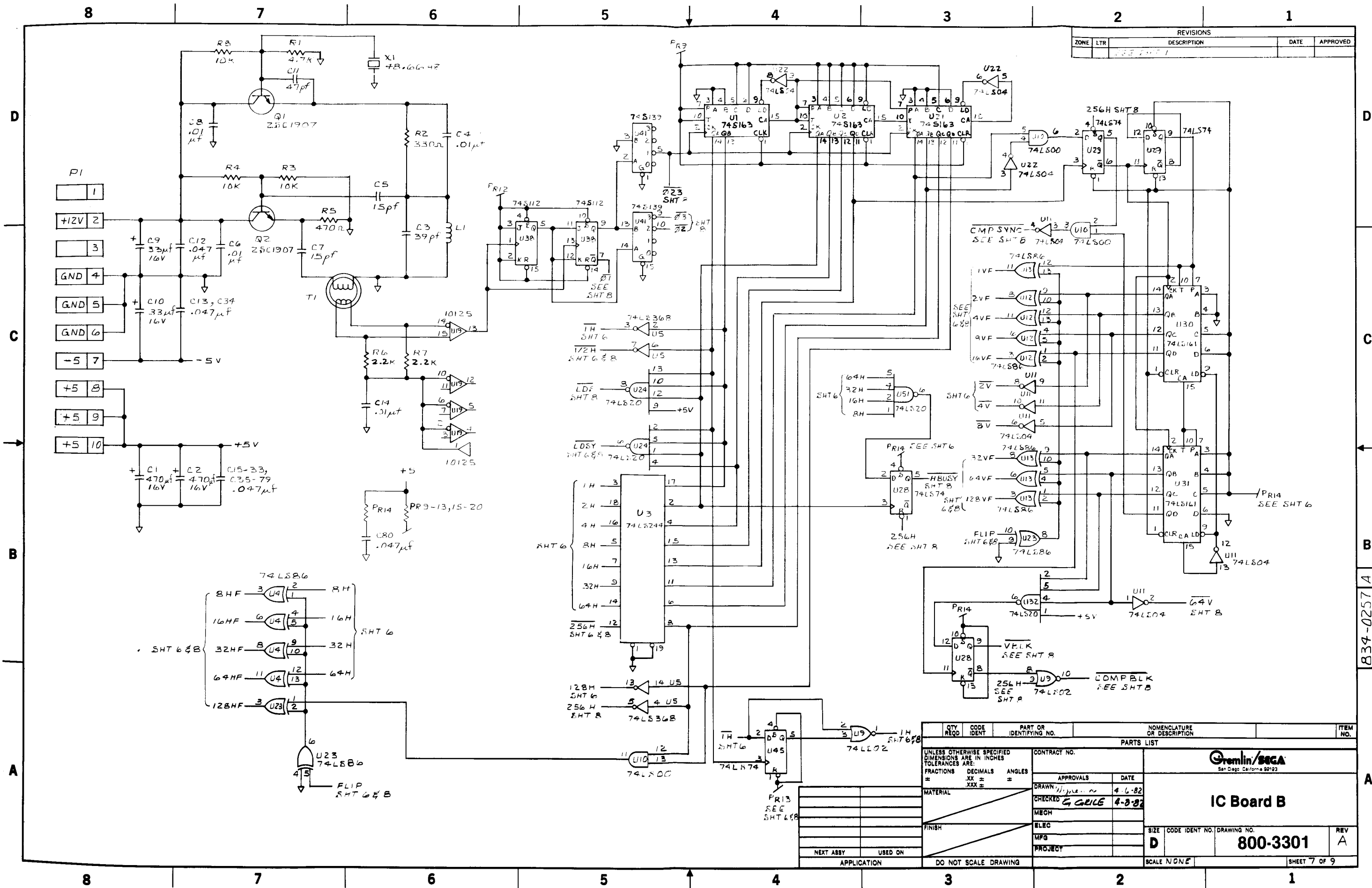
QTY REQD		CODE IDENT	PART OR IDENTIFYING NO.	NOMENCLATURE OR DESCRIPTION	ITEM NO.
UNLESS OTHERWISE SPECIFIED DIMENSIONS ARE IN INCHES TOLERANCES ARE:					
FRACTIONS	DECIMALS	ANGLES			
±	.XX ±	±			
MATERIAL				CONTRACT NO.	
FINISH				DRAWN	
NEXT ASSY				CHECKED	
USED ON				MECH	
APPLICATION				ELEC	
DO NOT SCALE DRAWING				MFG	
				PROJECT	
				SIZE	
				CODE IDENT NO.	
				DRAWING NO.	
				REV	
				SCALE	
				SHEET NO. OF 9	

Gremlin/SGA
San Diego, California 92123

IC Board B

800-3301

834-0257A



REVISIONS				
ZONE	LTR	DESCRIPTION	DATE	APPROVED
		SEE SHT 1		

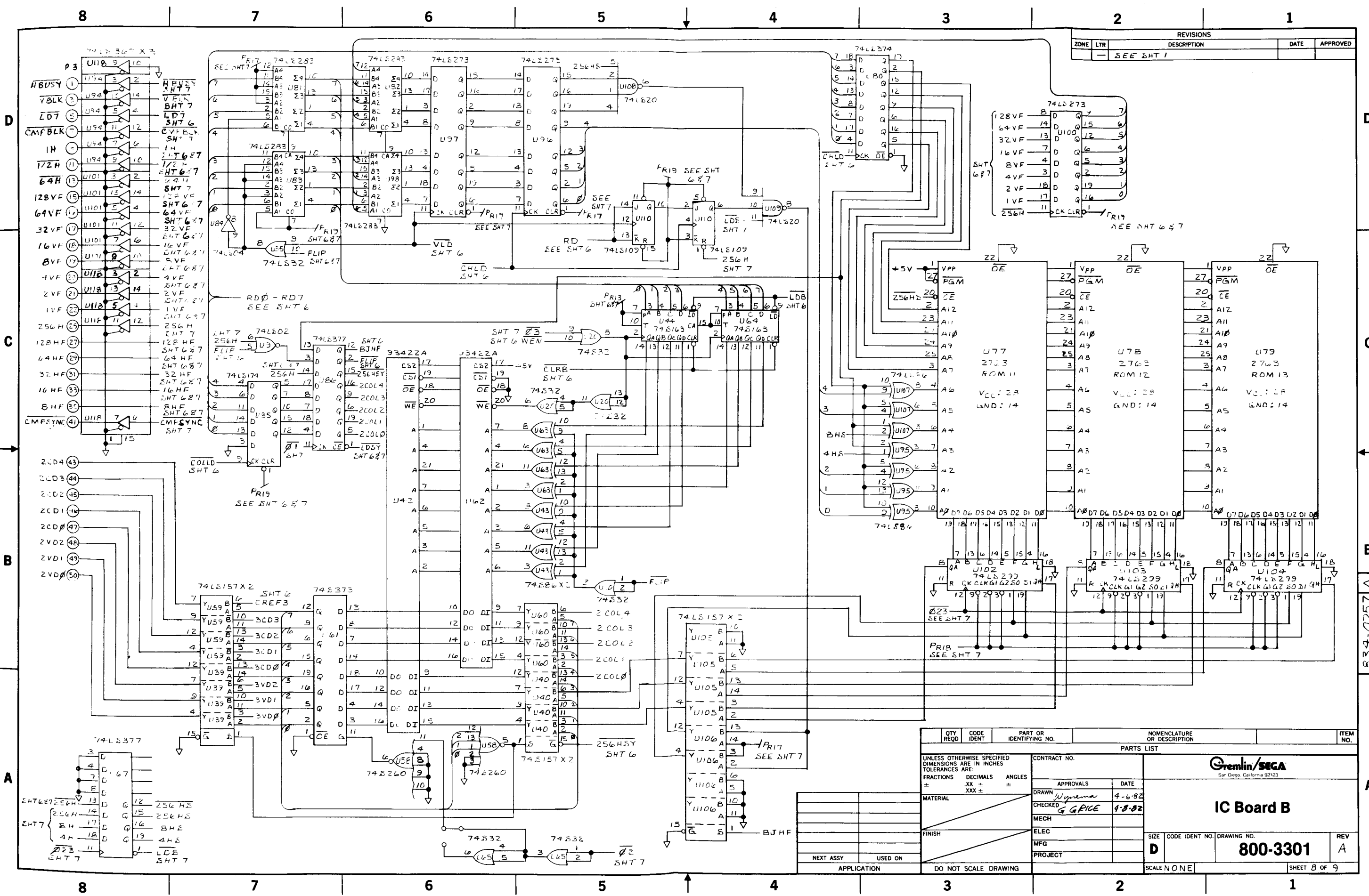
QTY REQD		CODE IDENT	PART OR IDENTIFYING NO.	NOMENCLATURE OR DESCRIPTION	ITEM NO.
UNLESS OTHERWISE SPECIFIED DIMENSIONS ARE IN INCHES TOLERANCES ARE:					
FRACTIONS		DECIMALS	ANGLES		
≠		.XX ≡	≠		
MATERIAL					
FINISH					
NEXT ASSY		USED ON			
APPLICATION		DO NOT SCALE DRAWING			
CONTRACT NO.			APPROVALS		
DRAWN			DATE		
CHECKED			DATE		
MECH					
ELEC					
MFG					
PROJECT					
SIZE		CODE IDENT NO.		DRAWING NO.	
D		800-3301		REV A	
SCALE		NONE		SHEET 7 OF 9	

Gremlin/SEGA
San Diego, California 92123

IC Board B

800-3301

B34-0257A

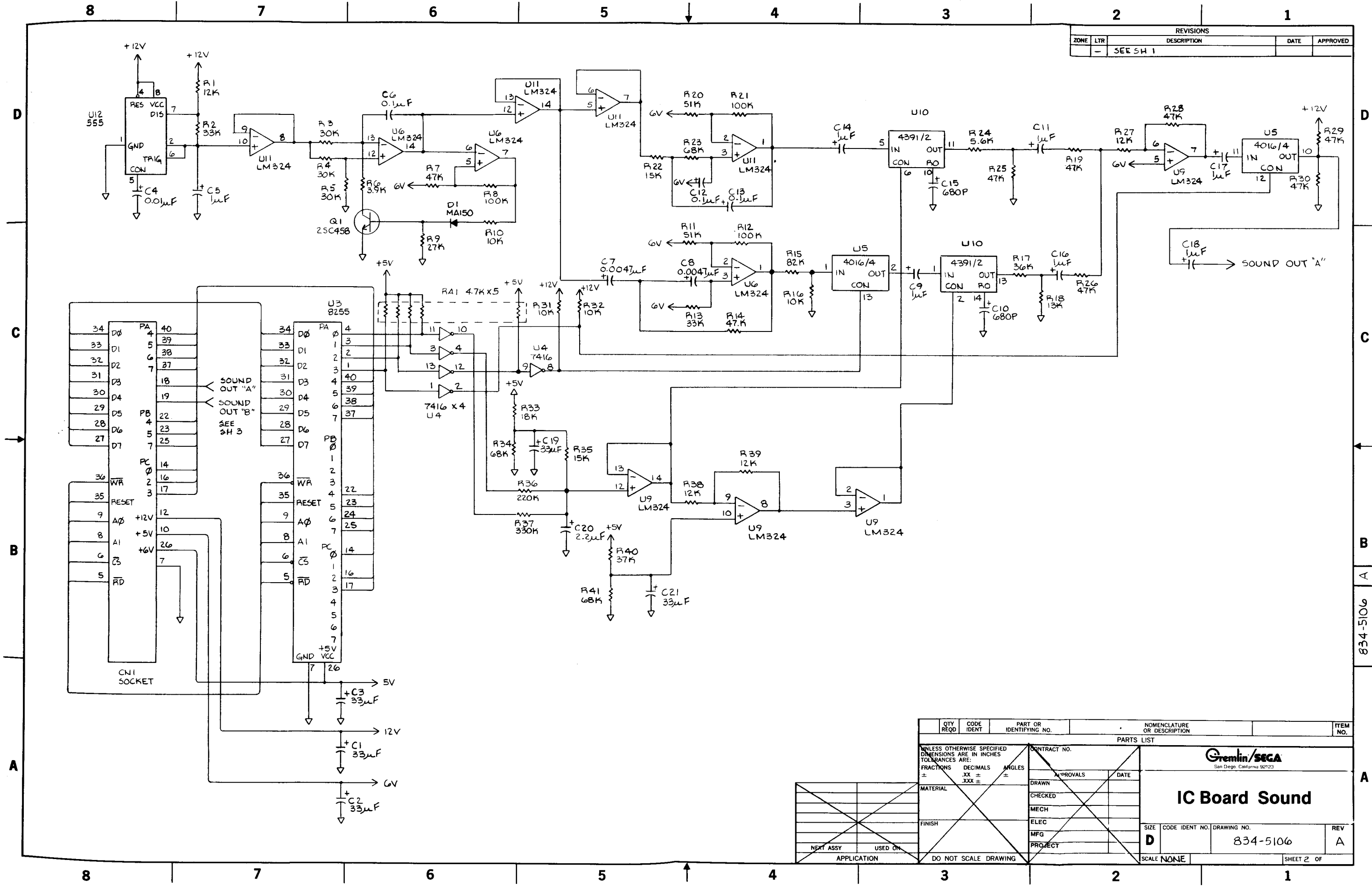


REVISIONS				
ZONE	LTR	DESCRIPTION	DATE	APPROVED
		SEE SHT 1		

QTY REQD	CODE IDENT	PART OR IDENTIFYING NO.	NOMENCLATURE OR DESCRIPTION	ITEM NO.
PARTS LIST				
UNLESS OTHERWISE SPECIFIED DIMENSIONS ARE IN INCHES TOLERANCES ARE:		CONTRACT NO.		
FRACTIONS	DECIMALS	ANGLES	APPROVALS	
±	.XX ±	±	DATE	
±	.XXX ±	±	DRAWN <i>Wynema</i> 4-6-82	
MATERIAL		CHECKED <i>G. PRICE</i> 4-8-82		
FINISH		ELEC		
NEXT ASSY		MFG		
USED ON		PROJECT		
APPLICATION		DO NOT SCALE DRAWING		
SCALE		SCALE NONE		
SIZE		CODE IDENT NO. DRAWING NO.		
D		800-3301		
REV		A		
SHEET		8 OF 9		

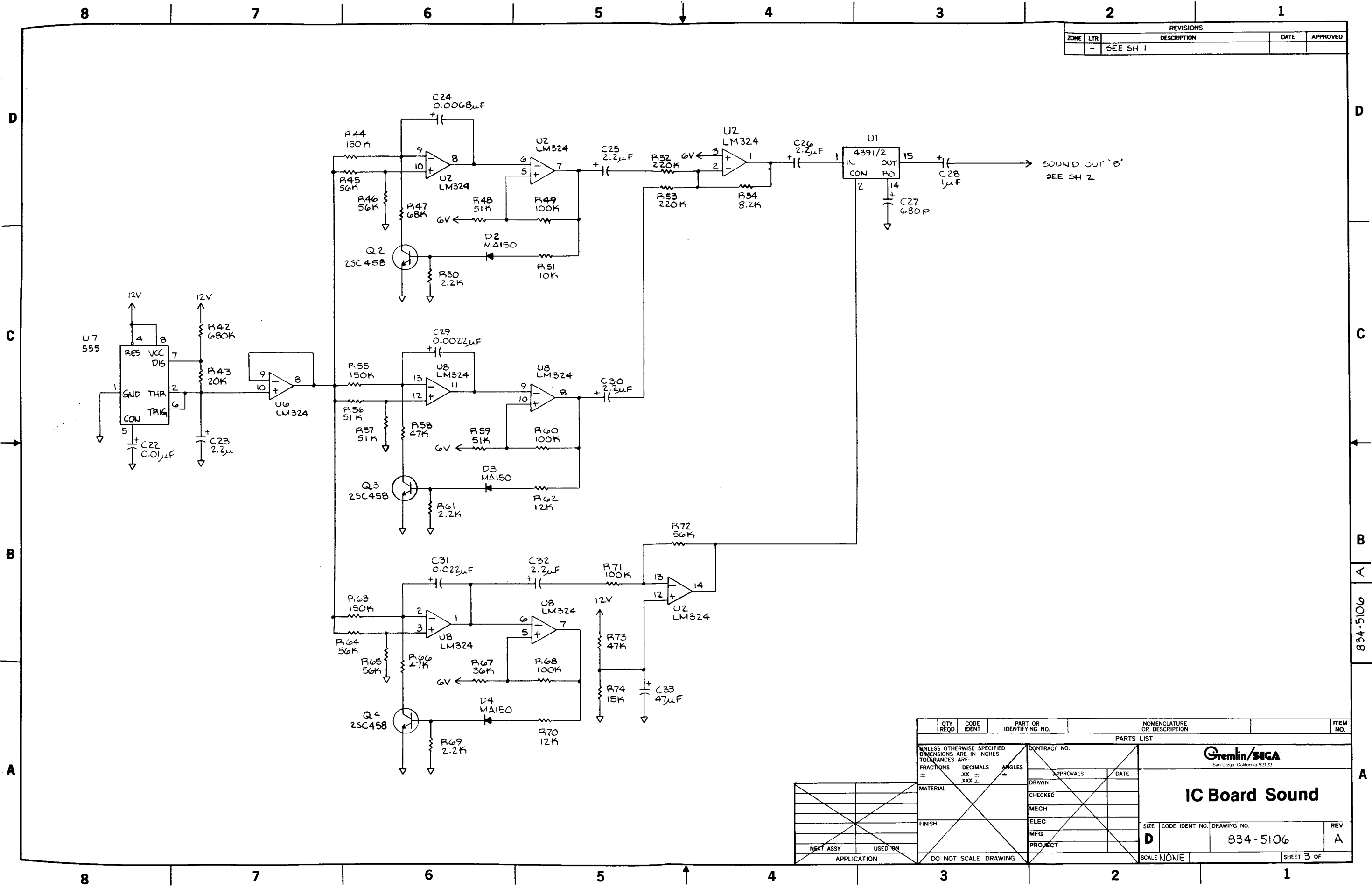
834-0257 A

REVISIONS				
ZONE	LTR	DESCRIPTION	DATE	APPROVED
-	SEE SH 1			



QTY REQD	CODE IDENT	PART OR IDENTIFYING NO.	NOMENCLATURE OR DESCRIPTION	ITEM NO.
PARTS LIST				
UNLESS OTHERWISE SPECIFIED DIMENSIONS ARE IN INCHES TOLERANCES ARE:				
FRACTIONS	DECIMALS	ANGLES		
±	.XX ±	±		
CONTRACT NO.				
Gremlin/SECA San Diego, California 92123				
DRAWN		APPROVALS		DATE
CHECKED				
MECH				
ELEC				
MFG				
PROJECT				
SIZE	CODE IDENT NO.	DRAWING NO.	REV	
D		834-5106	A	
SCALE	NONE			SHEET 2 OF

REVISIONS				
ZONE	LTR	DESCRIPTION	DATE	APPROVED
-	-	SEE SH 1		



QTY REQD	CODE IDENT	PART OR IDENTIFYING NO.	NOMENCLATURE OR DESCRIPTION	ITEM NO.
PARTS LIST				
UNLESS OTHERWISE SPECIFIED DIMENSIONS ARE IN INCHES TOLERANCES ARE:				
FRACTIONS	DECIMALS	ANGLES		
±	.XX ±	±		
			APPROVALS	DATE
			DRAWN	
			CHECKED	
			MECH	
			ELEC	
			MFG	
			PROJECT	
			CONTRACT NO.	
			Gremlin/SEGA San Diego, California 92123	
			IC Board Sound	
			SIZE	CODE IDENT NO. DRAWING NO.
			D	834-5106
			REV	A
			SCALE	NONE
			SHEET 3 OF	

834-5106