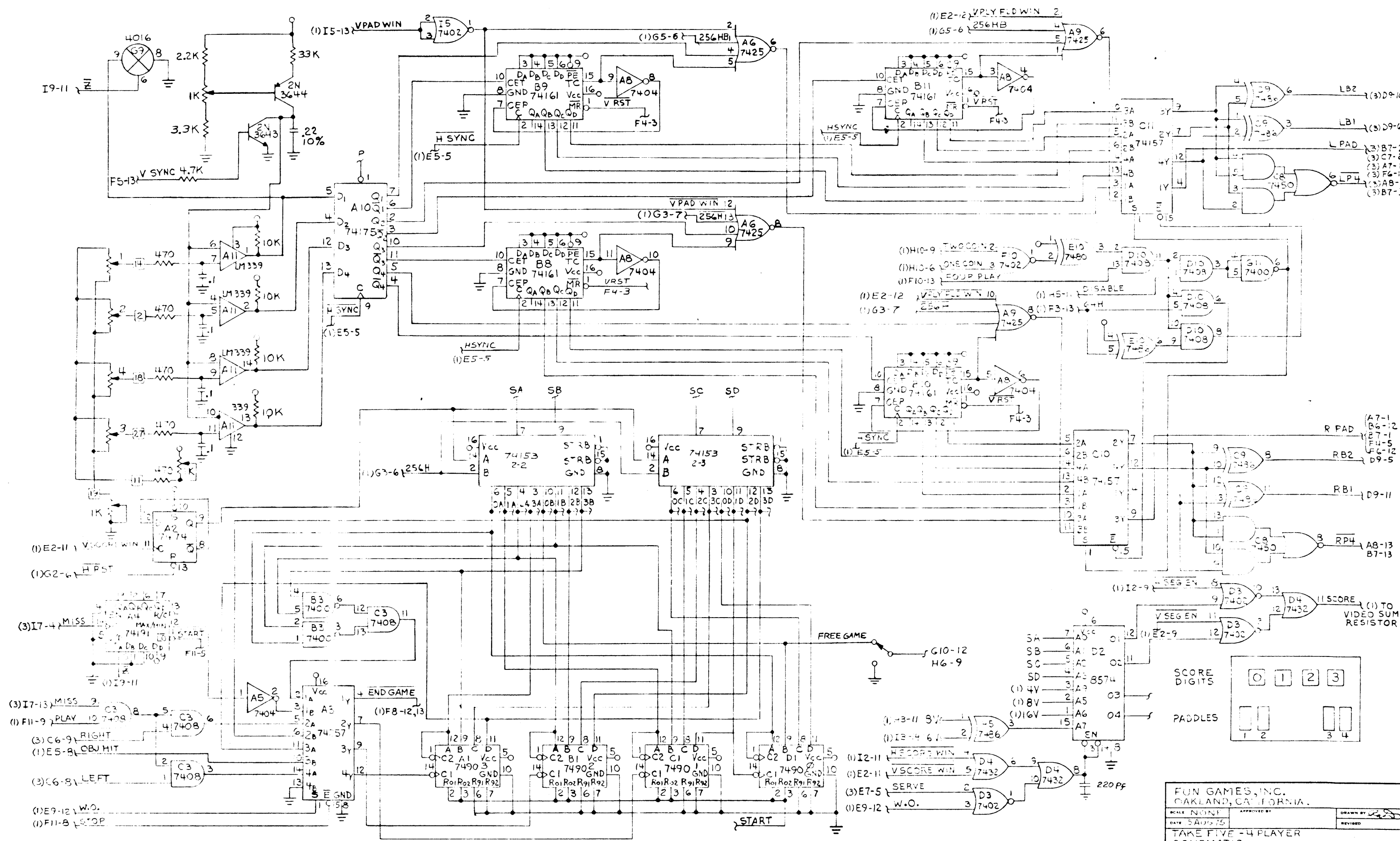


NOTES:
 ? INDICATES DIRECT CONNECTION TO +5V
 P INDICATES CONNECTION TO +5V THRU 1K RESISTOR
 () SHEET OF DRAWING WHERE ORIGINATES/USED-OMITTED IF ON SAME SHEET
 [] FOR 50/60 HZ, SEE SUPPLEMENT D.A.G.

FUN GAMES, INC.
 OAKLAND, CALIFORNIA

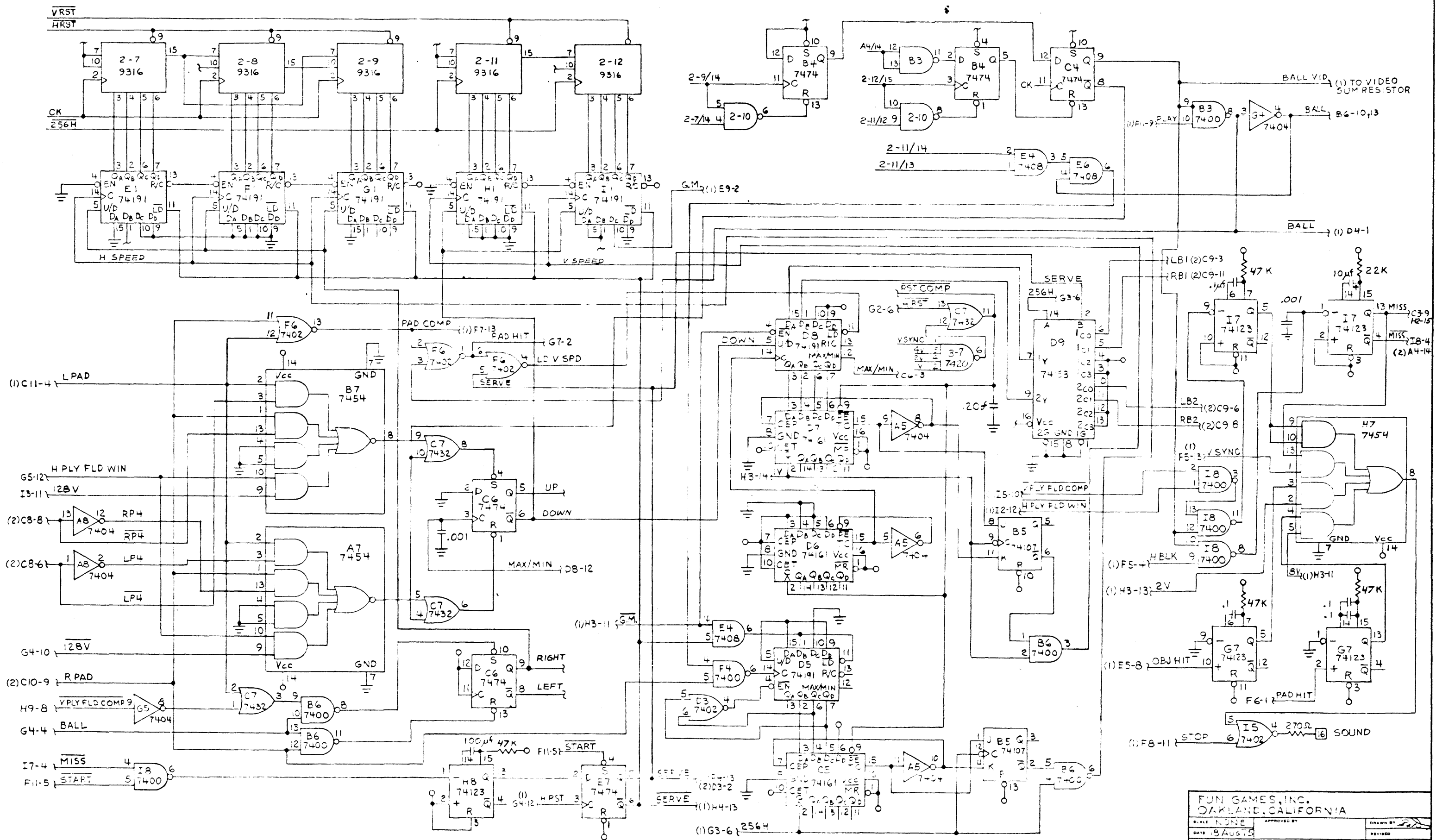
SCALE: NONE	APPROVED BY:	DRAWN BY:
DATE: 10/21/75		
TAKE FIVE - FOUR PLAYER SCHEMATIC		
SHEET 1 OF 3		REV E

F3-13	32H	1	A	ME
F3-12	64H	2	B	H4
F3-11	128H	3	C	H4
G3-6	256H	4	D	74200
I3-12	64V	5	E	9
I3-11	128V	6	F	10
I3-10	256V	7	G	11
I3-9	512V	8	H	12
I3-8	1024V	9	I	13
I3-7	2048V	10	J	14
I3-6	4096V	11	K	15
I3-5	8192V	12	L	16
I3-4	16384V	13	M	17
I3-3	32768V	14	N	18
I3-2	65536V	15	O	19
I3-1	131072V	16	P	20



FUN GAMES, INC.
 OAKLAND, CALIFORNIA.

SCALE: NONE	APPROVED BY:	DRAWN BY:
DATE: 5/15/75		REVISED:
TAKE FIVE - 4 PLAYER SCHEMATIC		
SHEET 2 OF 3	REV E	DRAWING NUMBER:



FUN GAMES, INC.
 OAKLAND, CALIFORNIA

SCALE: NONE	APPROVED BY:	DRAWN BY:
DATE: 8 AUG 75		REVISED:
TAKE FIVE - 4 PLAYER SCHEMATIC		
SHEET 3 OF 3	REVE	DRAWING NUMBER: