

EXPL()
FLASH
[] PHT

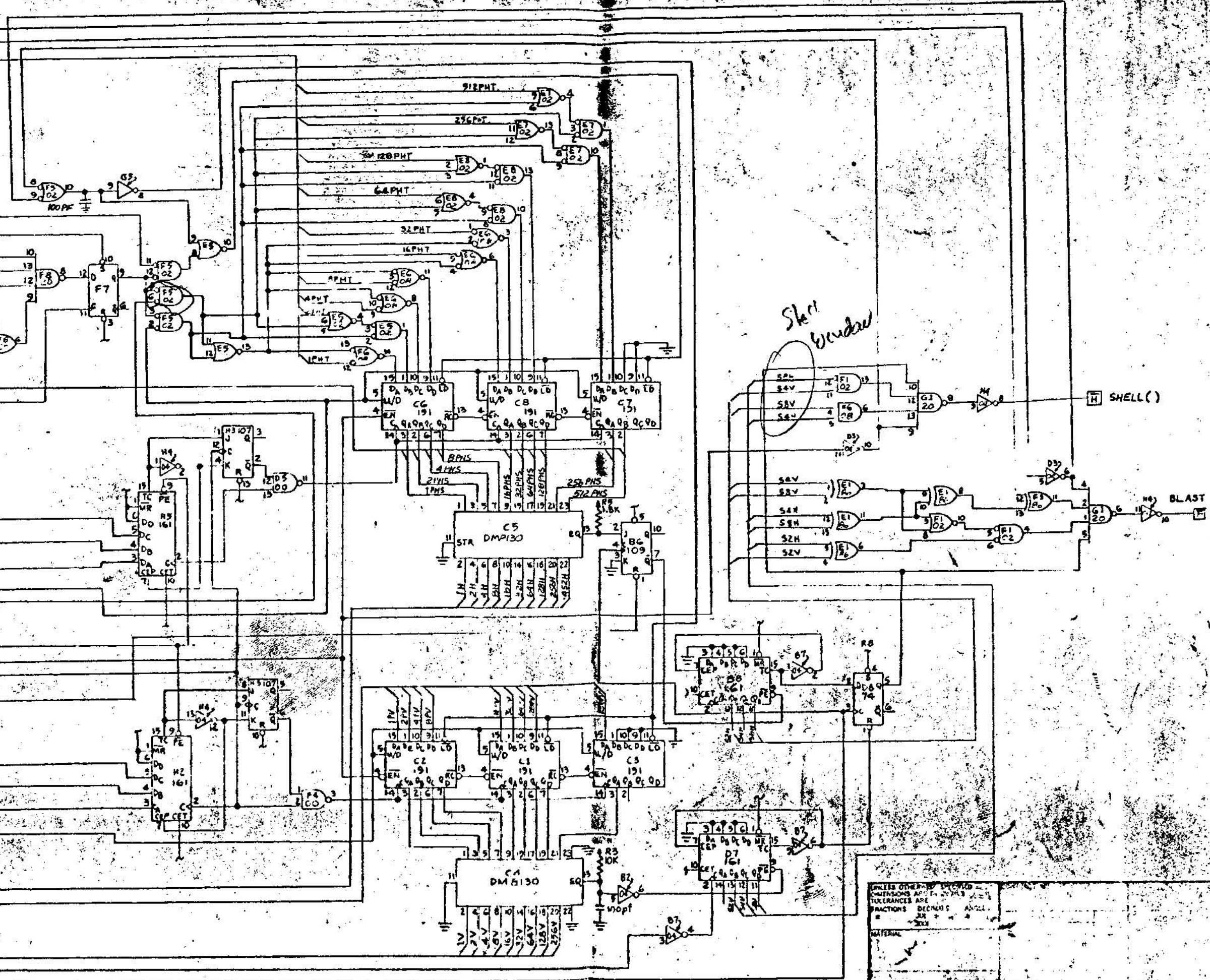
IV
4V 11 65
256 PHS 10
128 PHS 13
64 PHS 12
32 PHS 2
16 PHS 3
8 PHS 5
4 PHS 6
2 PHS 9
1 PHS 10
VLDEN

1DB 2
3DB 3
20B 6
4DB 7

COUNT INIT
FIRE()
BHB
RES DIS

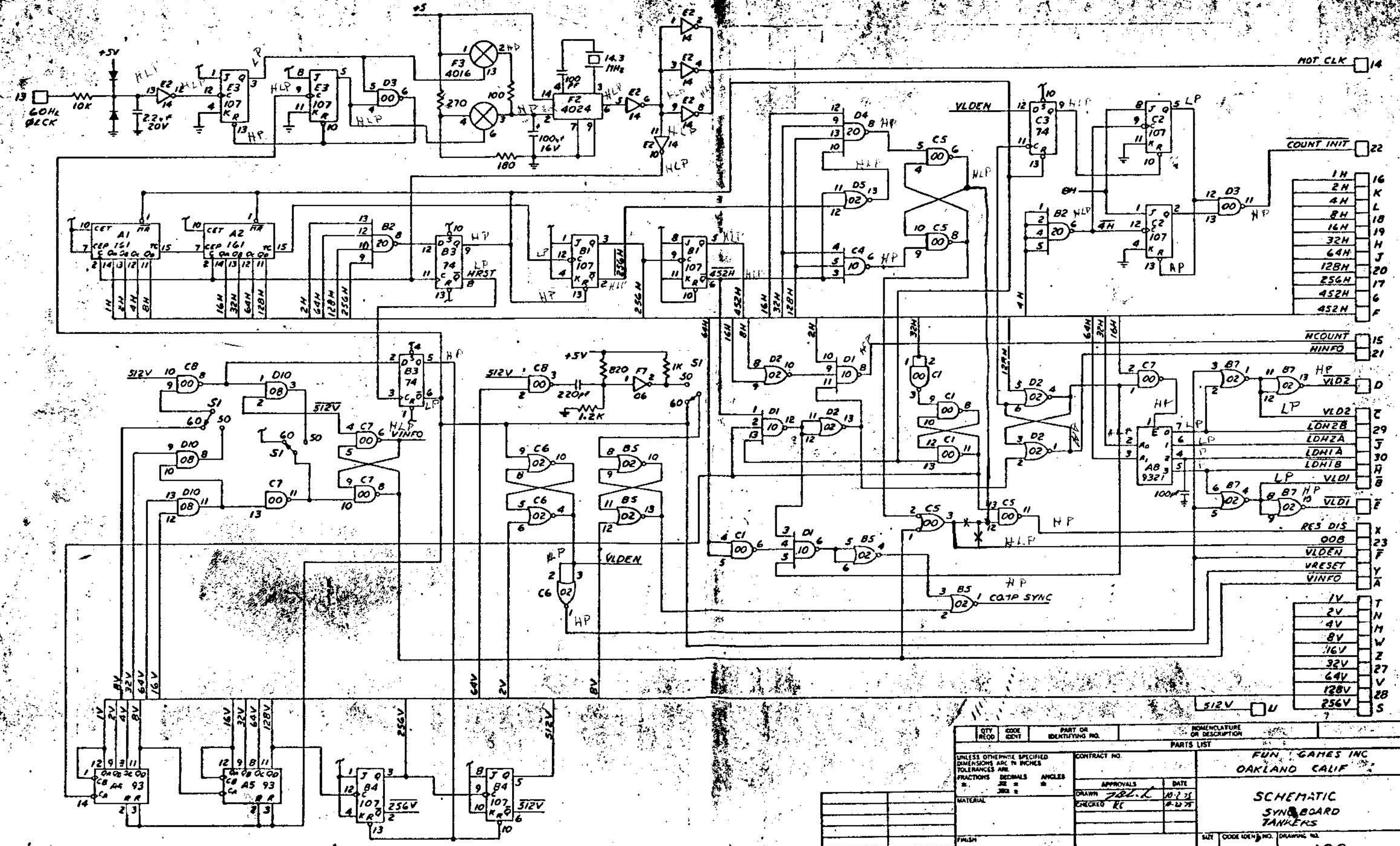
5DB 2
7DB 3
6DB 6
8DB 7
[] DB
[] H
[] PV

C3V
HCOUNT
BFRP CLK



UNLESS OTHERWISE SPECIFIED
DIMENSIONS ARE IN MILLIMETERS
TOLERANCES ARE
FRACTIONS DECIMALS ANGLES
MATERIAL

REVISIONS			
REV#	DATE	DESCRIPTION	APPROVED

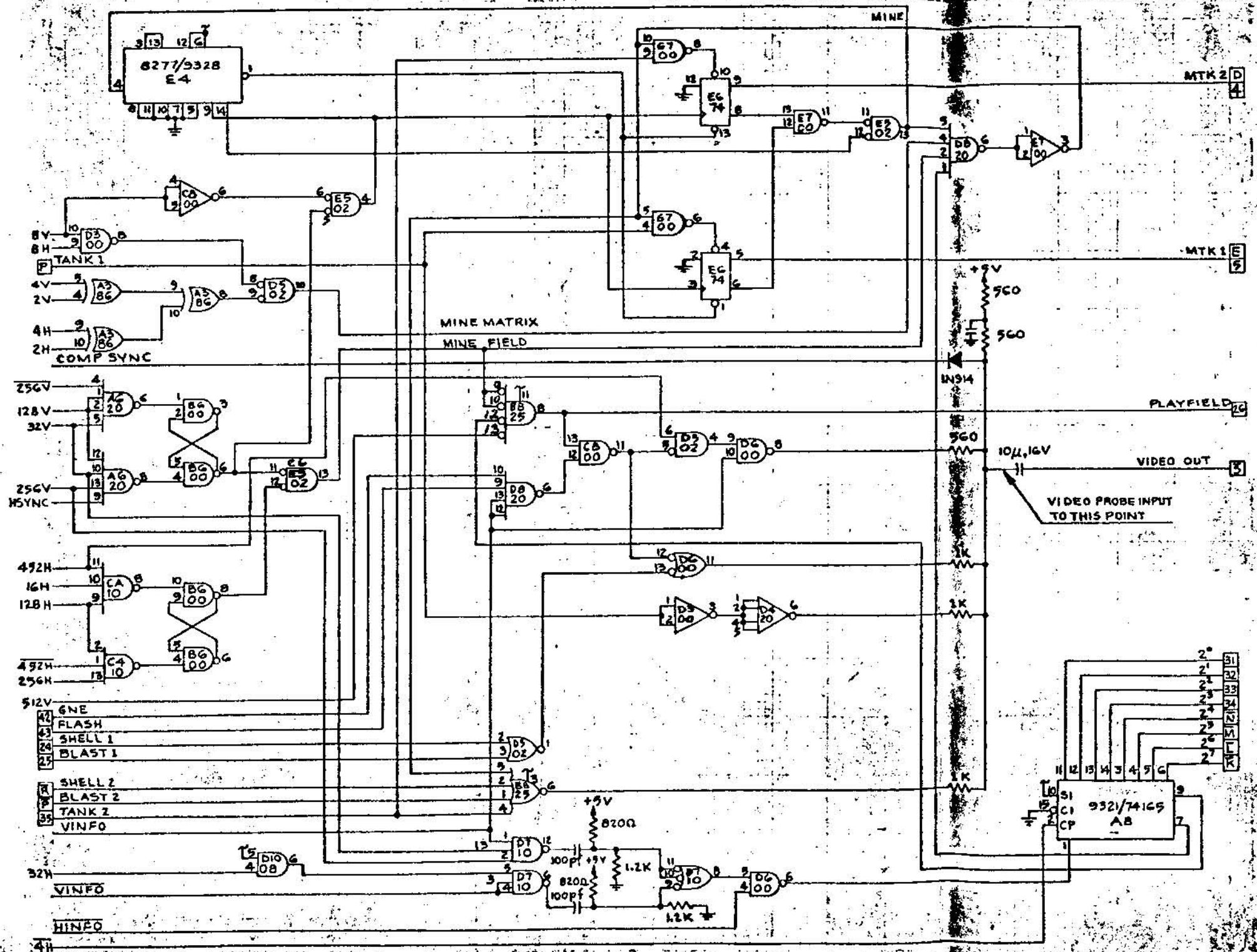


QTY	CODE	PART OR IDENTIFYING NO.	NOMENCLATURE OR DESCRIPTION

UNLESS OTHERWISE SPECIFIED DIMENSIONS ARE IN INCHES. FRACTIONS DECIMALS ANGLES		CONTRACT NO.	
APPROVALS		DATE	
DRAWN <i>ZBL</i>		10-2-75	
CHECKED <i>RC</i>		8-2-75	
MATERIAL		FINISH	
NEXT ASSY		USED ON	
APPLICATION		DO NOT SCALE DRAWING	

PARTS LIST		FUN GAMES INC OAKLAND CALIF	
SCHEMATIC		SYN BOARD TANKERS	
SHEET	CODE IDENT. NO.	DRAWING NO.	
D		102	
SCALE			SHEET 3 OF 3

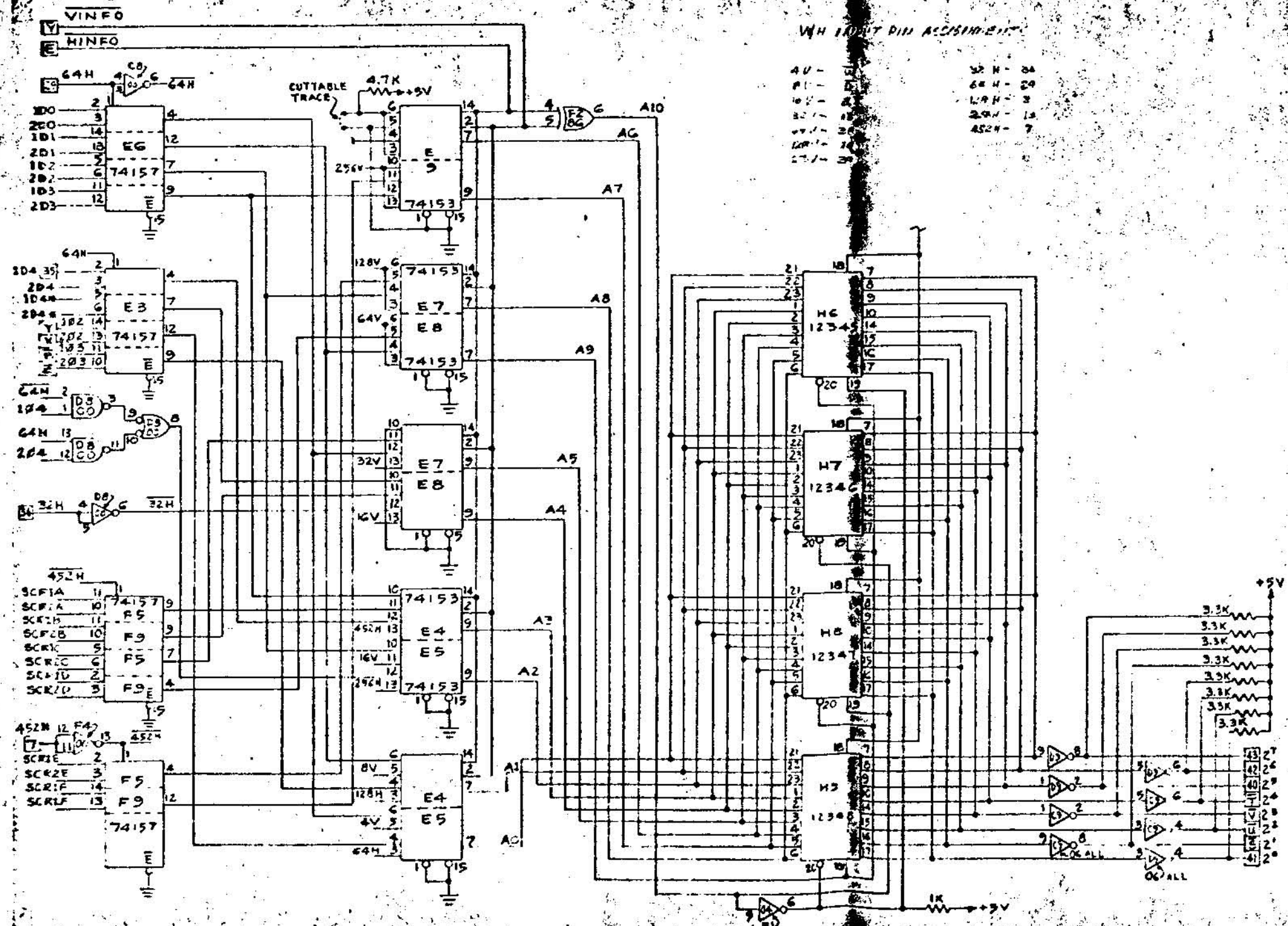
ZONE		LTR		REVISIONS		DATE	APPR



QTY REQD	CODE IDENT	PART OR IDENTIFYING NO.	NOMENCLATURE OR DESCRIPTION
			PARTS LIST
			FUN GAMES OAKLAND CALIF
			SCHEMATIC SYNC BOARD TANKER
			DATE 10-2-70
			DRAWN 70
			CHECKED
			SIZE CODE IDENT NO. DRAWING NO.
			D 102
			SCALE
			FIGURE 2 OF 3

REVISIONS

ZONE LTR	DESCRIPTION	DATE



WH INPUT PIN ASSIGNMENT

40 -	52 H -	24
41 -	64 H -	24
42 -	124 H -	3
43 -	204 H -	15
44 -	452 H -	7
45 -		
46 -		
47 -		
48 -		

QTY REQD	CODE IDENT	PART OR IDENTIFYING NO.	MANUFACTURE OR DESCRIPTION
PARTS LIST			
UNLESS OTHERWISE SPECIFIED DIMENSIONS ARE IN INCHES TOLERANCES ARE FRACTIONS DECIMALS ANGLES		CONTRACT NO.	FULL GAME CAM AND CAM
APPROVALS		DATE	SCHEMATIC HEICHO BOARD TANKER
CHECKED		10-2-77	
MATERIAL		FINISH	SIZE
NEXT ASSY		USED ON	COOL IDENT NO
APPLICATION		DO NOT SCALE DRAWING	DRAWING NO
			104
			SCALE
			SHEET