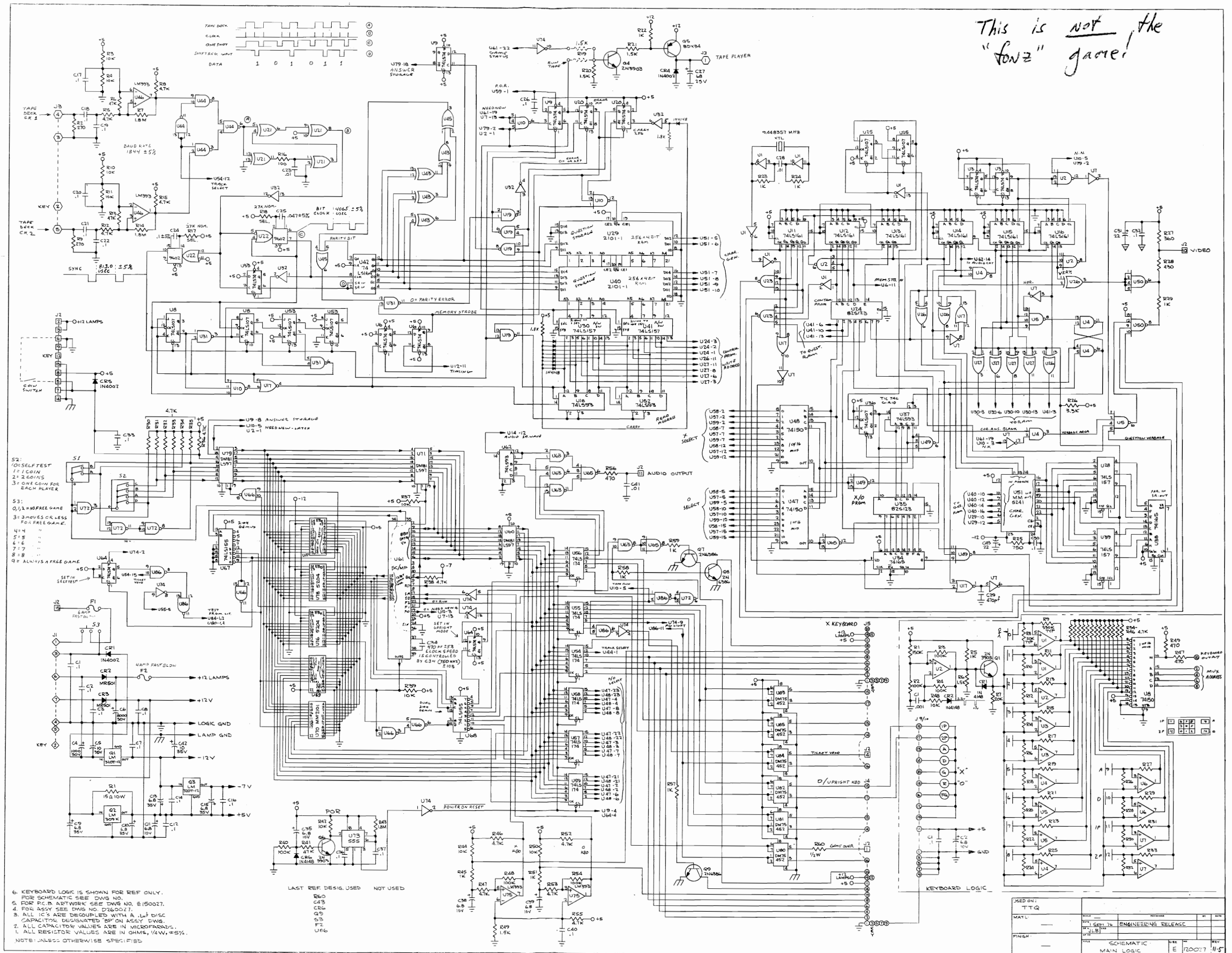


This is not the "fox" game!



- S2:
 1: 100 SELF TEST
 2: 1 COIN
 3: 2 COINS
 4: 3 COINS FOR EACH PLAYER
- S3:
 0: 1/2 NO FREE GAME
 1: 3 MOVES OR LESS FOR FREE GAME.
 2: 4 " "
 3: 5 " "
 4: 6 " "
 5: 7 " "
 6: 8 " "
 7: 9 ALWAYS A FREE GAME.

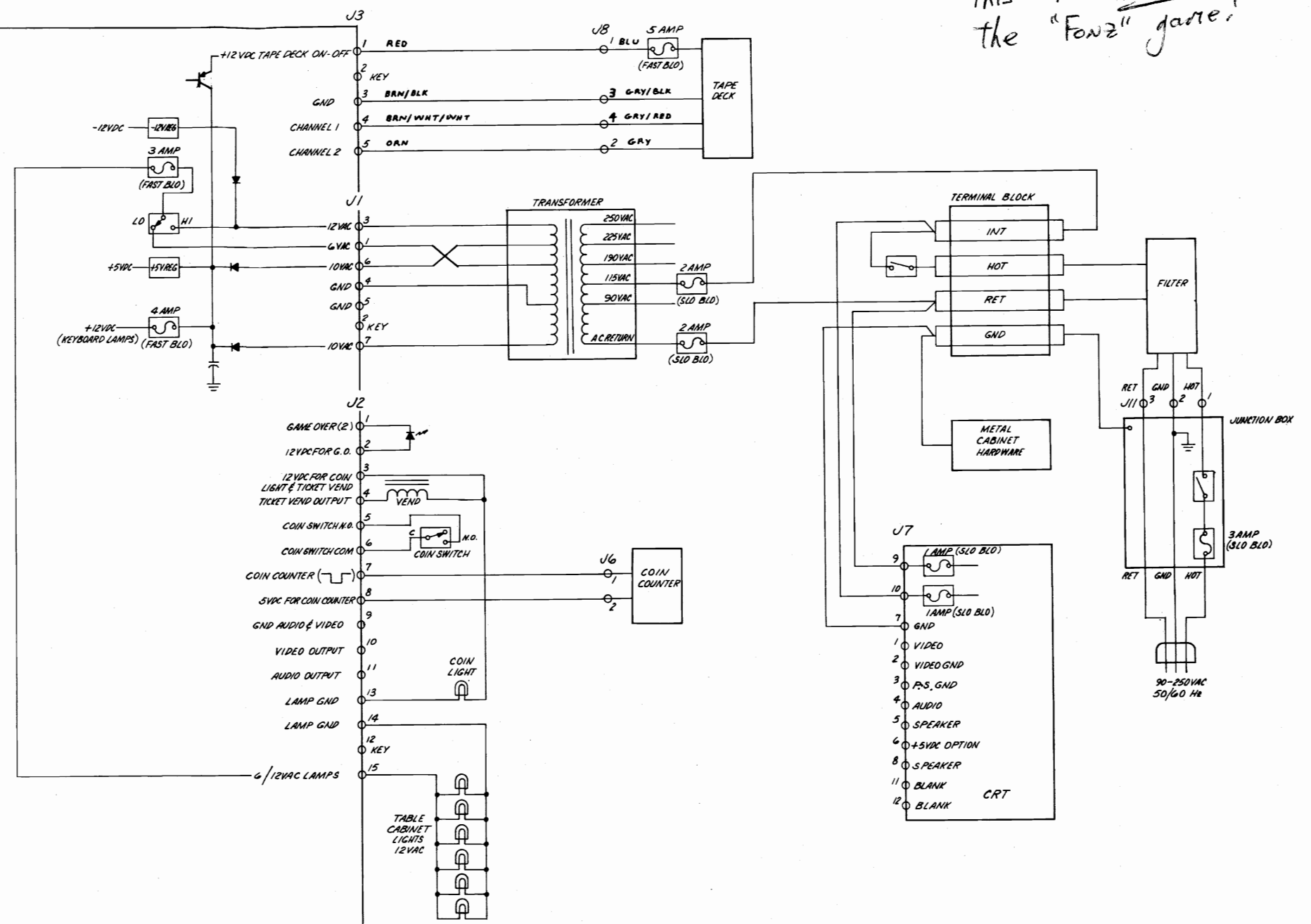
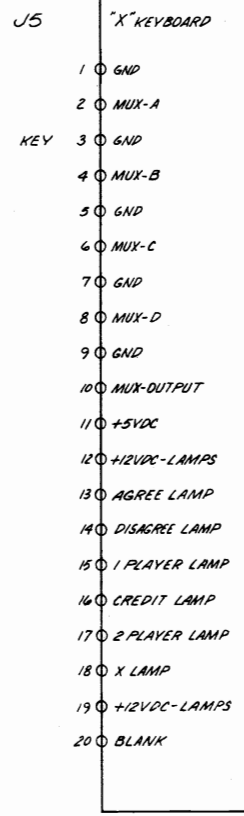
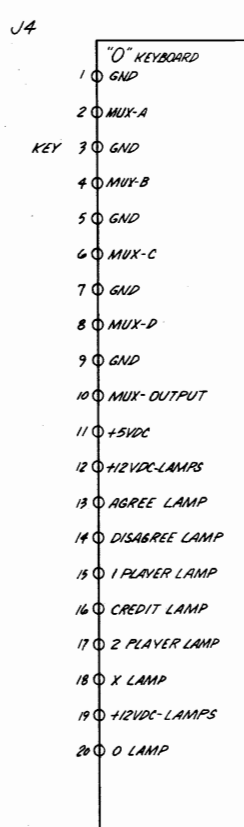
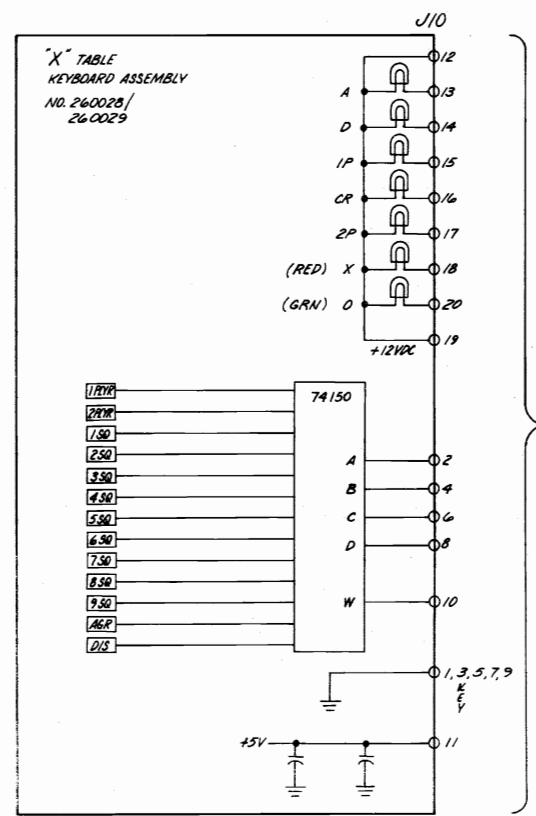
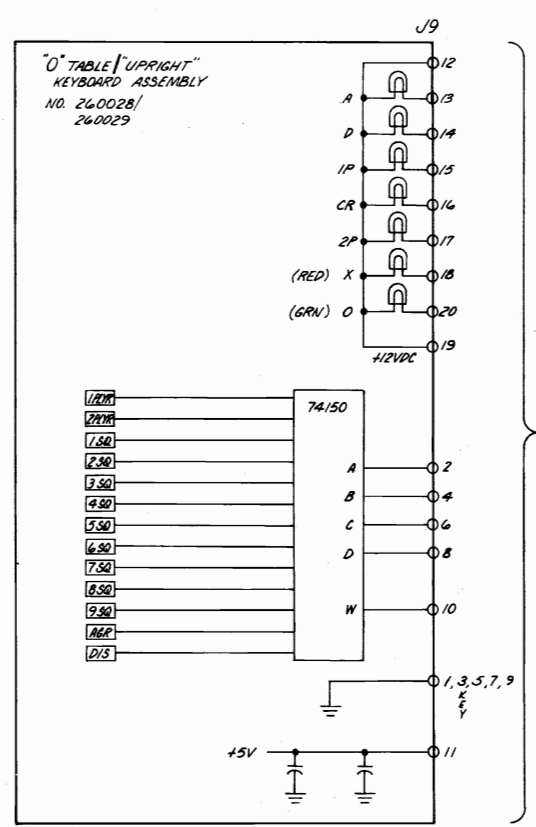
6. KEYBOARD LOGIC IS SHOWN FOR REF ONLY. FOR SCHEMATIC SEE DWS NO. 1.
 7. FOR P.C.B. ARTWORK SEE DWS NO. E150027.
 8. FOR ASSY SEE DWS NO. D260027.
 9. ALL IC'S ARE DECOUPLED WITH A .1μF DISC CAPACITOR DESIGNATED BY ON ASSY DWS.
 10. ALL CAPACITOR VALUES ARE IN MICROFARADS.
 11. ALL RESISTOR VALUES ARE IN OHMS, 1/4W, ±5%.
 NOTE: UNLESS OTHERWISE SPECIFIED

LAST REF. DESIG. USED	NOT USED
R60	
C43	
C45	
C46	
C47	
F2	
U66	

USED ON:	TTQ	DATE	BY
MATL		11/1/76	ENGINEERING RELEASE
FINISH			

NO.	DESCRIPTION	DATE	BY
1	SCHEMATIC MAIN LOGIC	11/20/77	11-5

This is ~~Not~~ the "Fonz" game!



FUSES

SIZE	USE	LOCATION	VALUE
3AG	12VAC CABINET LAMPS	MAIN PCB	6AFB
3AG	12VDC KEYBOARD LAMPS	MAIN PCB	4AFB
3AG	TRANSFORMER PRIMARY (115VAC)	CABINET HARNESS	2AFB
3AG	TRANSFORMER PRIMARY (ACRET)	CABINET HARNESS	2AFB
3AG	A/C JUNCTION BOX	FRONT INTERLOCK	3ASB
3AG	TAPE DECK	TAPE DECK	5AFB
3AG	TV MONITOR (INT)	TV MONITOR	1ASB
3AG	TV MONITOR (RET)	TV MONITOR	1ASB

REV	DATE	BY	CHKD
1	10-27-76	J.M.	J.M.
ENGINEERING RELEASE			
TTQ CONTROL WIRING			
REV	DATE	BY	CHKD
F	120044		