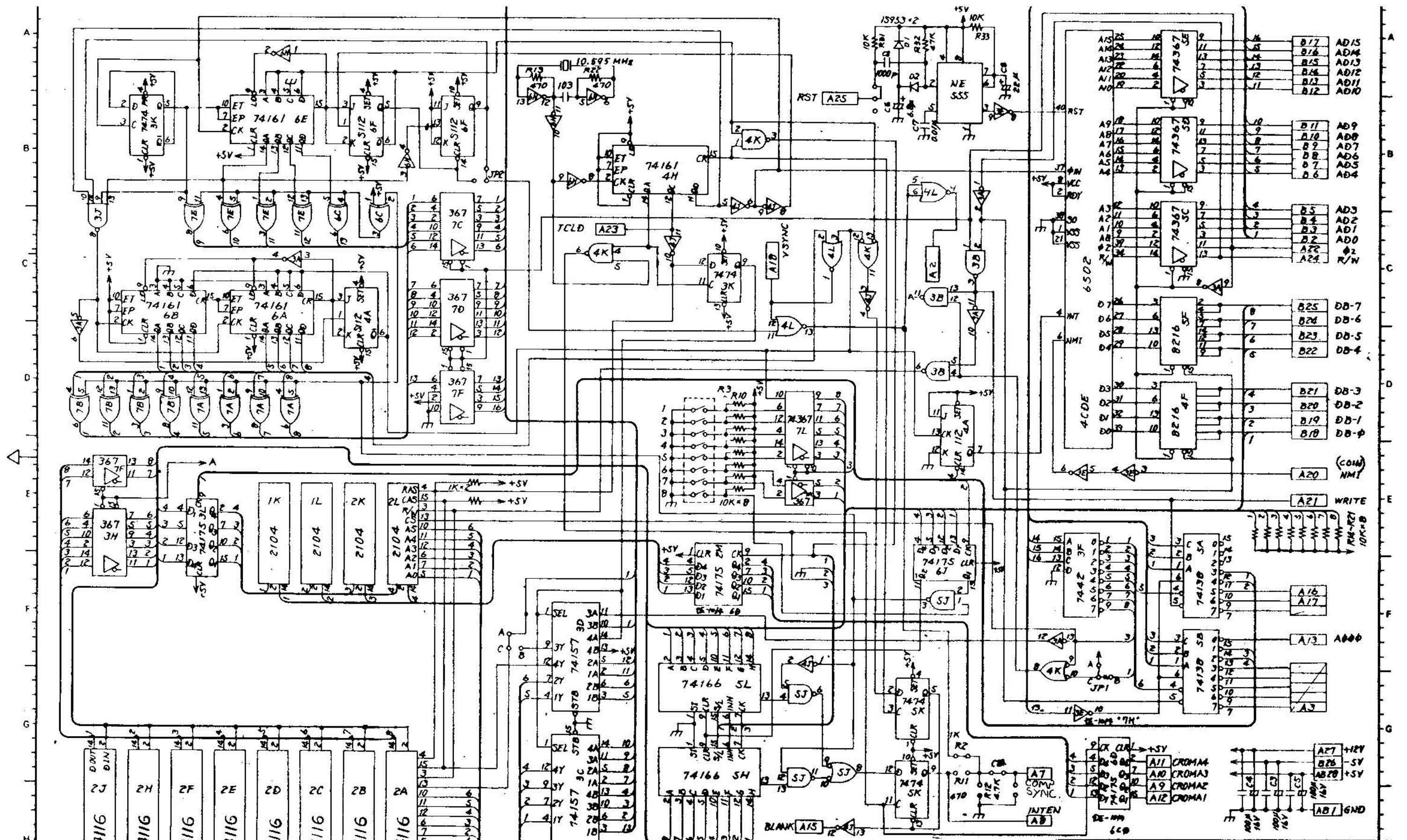


- 1) NPN TRANSISTOR (2SC245)
 - 2) DIODE (1S953)
 - 3) CAPACITOR
- A: Film capacitor C: Ceramic M: Film Capacitor T: Tantalum

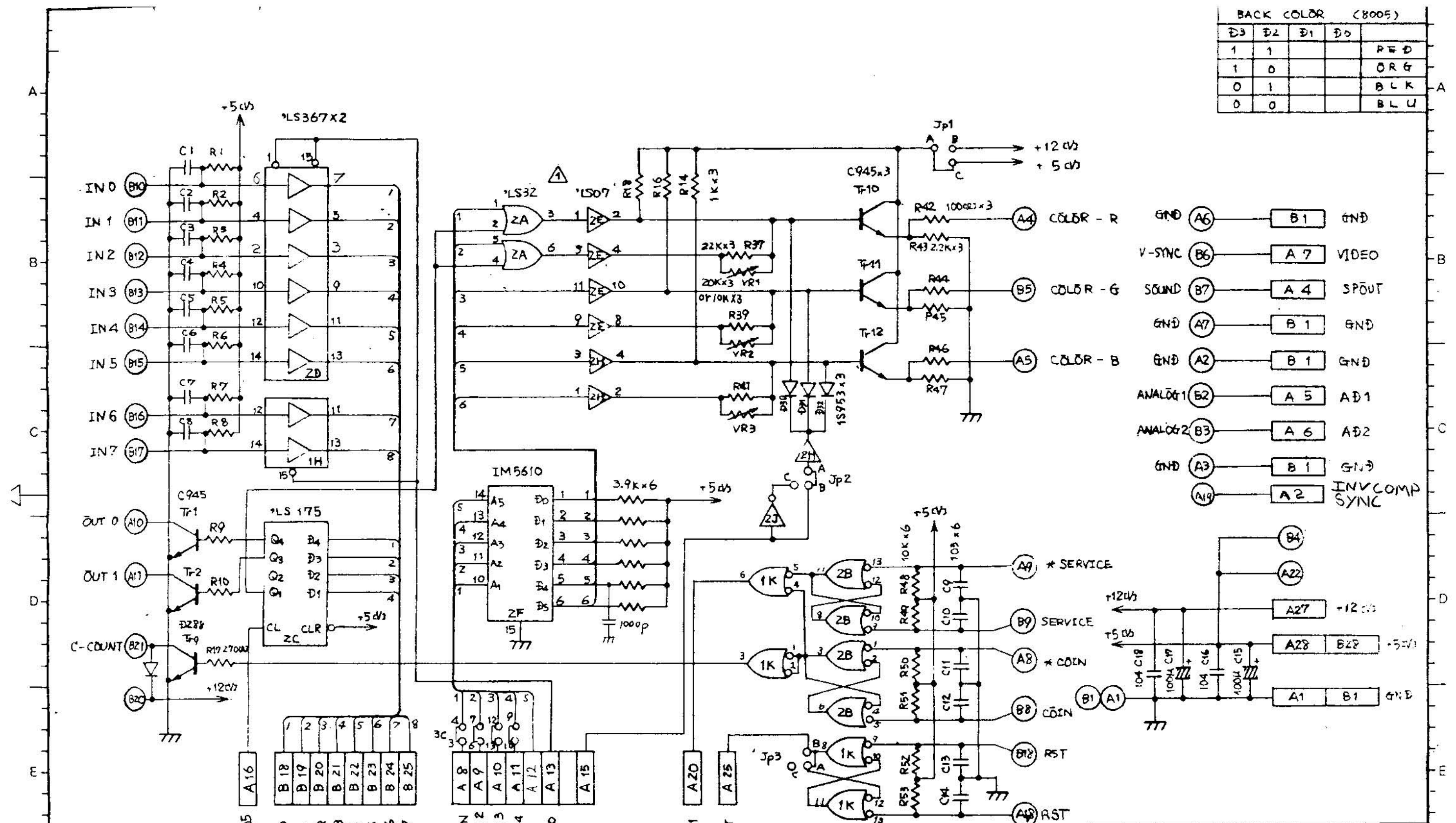
ELECTRO-SPORT
AUDIO BOARD
TOMAHAWK
 93-324



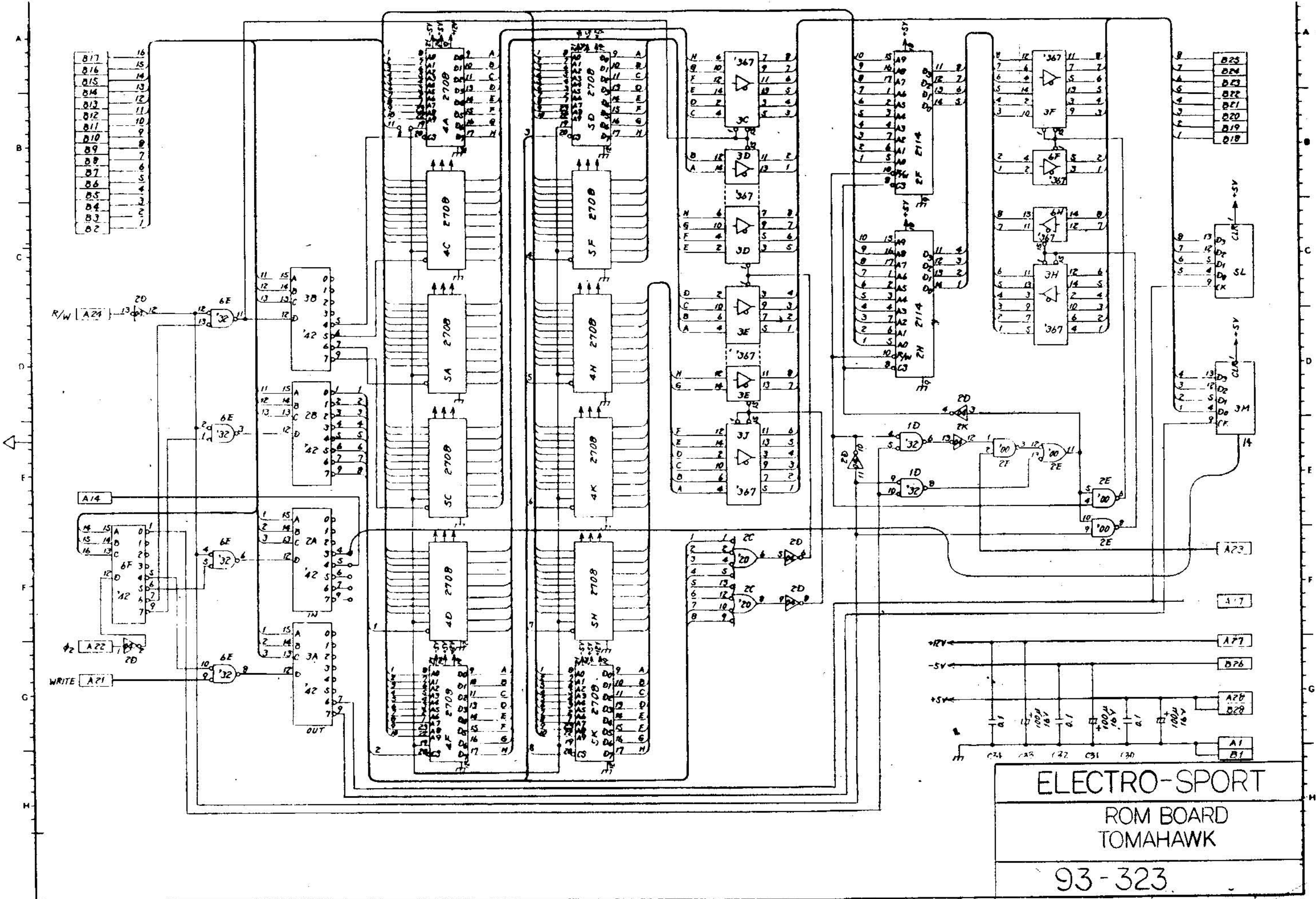
ELECTRO-SPORT
CPU BOARD
TOMAHAWK

93-325

BACK COLOR (8005)				
D3	D2	D1	D0	
1	1			RED
1	0			OR G
0	1			BLK
0	0			BLU



ELECTRO-SPORT
 I/O BOARD
 TOMAHAWK
 93-326



ELECTRO-SPORT
 ROM BOARD
 TOMAHAWK
 93-323