

This document has been downloaded from:

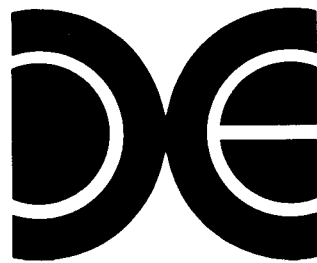


The largest resource for amusement machines
documentation on the world wide web!



FLIPPERSPILL.COM

BATTLE WINGS™



INSTALLATION INSTRUCTIONS

 **DATA EAST USA, INC.**
470 Gianni Street, Santa Clara, CA 95050
Telephone: (408) 727-4490
Toll Free: (800) 538-5129
Tellex: 172163 DATA EAST SNTA

TABLE OF CONTENTS

	PAGE
Game Instructions	1
Option Switch Settings	2
Power Supply Requirements	3
Operating Environment	3
CRT Monitor Signals	3
PCB Identification	4
Monitor Drive Circuit	5
Coin Counter Circuit	6
Power Supply Circuit	7
Main Harness Terminations	8
Schematic Diagrams	
Wells Gardner Monitor	9
SCU - 01 PCB (8 Sheets)	10
MCU - 01 PCB (6 Sheets)	18
CCU - 01 PCB (7 Sheets)	24

DIP SWITCH SETTINGS

DIP SWITCH 1					
No.	SETTING				
1	OFF	ON	OFF	ON	RIGHT SELECTOR COIN CREDIT
	OFF	OFF	ON	ON	
2	1 COIN 1 CREDIT	1 COIN 2 CREDIT	1 COIN 3 CREDIT	2 COIN 1 CREDIT	
3	OFF	ON	OFF	ON	LEFT SELECTOR COIN CREDIT
4	OFF	OFF	ON	ON	
	1 COIN 1 CREDIT	1 COIN 2 CREDIT	1 COIN 3 CREDIT	2 COIN 1 CREDIT	
5	OFF		ON		GAME DIAG MODE
	GAME		DIAG		
6	OFF		ON		C T U R MODE
	TABLE		UPRIGHT		
7	OFF		ON		KEEP OFF
	GAME		TEST		
8	OFF		ON		KEEP OFF
	GAME		TEST		

DIPSWITCH 2					
No.	SETTING				
1	OFF		ON		NUMBER OF AIR CRAFTS
	3		5		
2	OFF	ON	OFF	ON	BONUS AIR CRAFT
3	OFF	OFF	ON	ON	
	20,000 EXTRA FIGHTER, OVER 20,000 EXTRA FIGHTER FOR EVERY 40,000	20,000 EXTRA FIGHTER, OVER 20,000 EXTRA FIGHTER FOR EVERY 60,000	40,000 EXTRA FIGHTER, OVER 40,000 EXTRA FIGHTER FOR EVERY 80,000	40,000 EXTRA FIGHTER	
4	OFF		ON		DIFFICULTY ENEMY CRAFTS
	EASY		DIFFICULT		
5	OFF		ON		DIFFICULTY MISSILES
	EASY		DIFFICULT		
6					NOT USED
7	OFF		ON		JAPAN/ UNITED STATES
	JAPAN		UNITED STATES		
8					NOT USED

POWER SUPPLY

+5V	$\pm 2\%$	5A
+12V	$\pm 2\%$	1A
-5V	$\pm 2\%$	0.1A

OPERATION ENVIRONMENTS

	Temperature	Humidity
Operation	5 ~ 35° C	20 ~ 80%
Storage	-15 ~ 65° C	10 ~ 90%

CRT MONITOR

(1) Color Signals R.G.B. Separate

Black 0 - +2V

Image Signal +2.5 V +4V

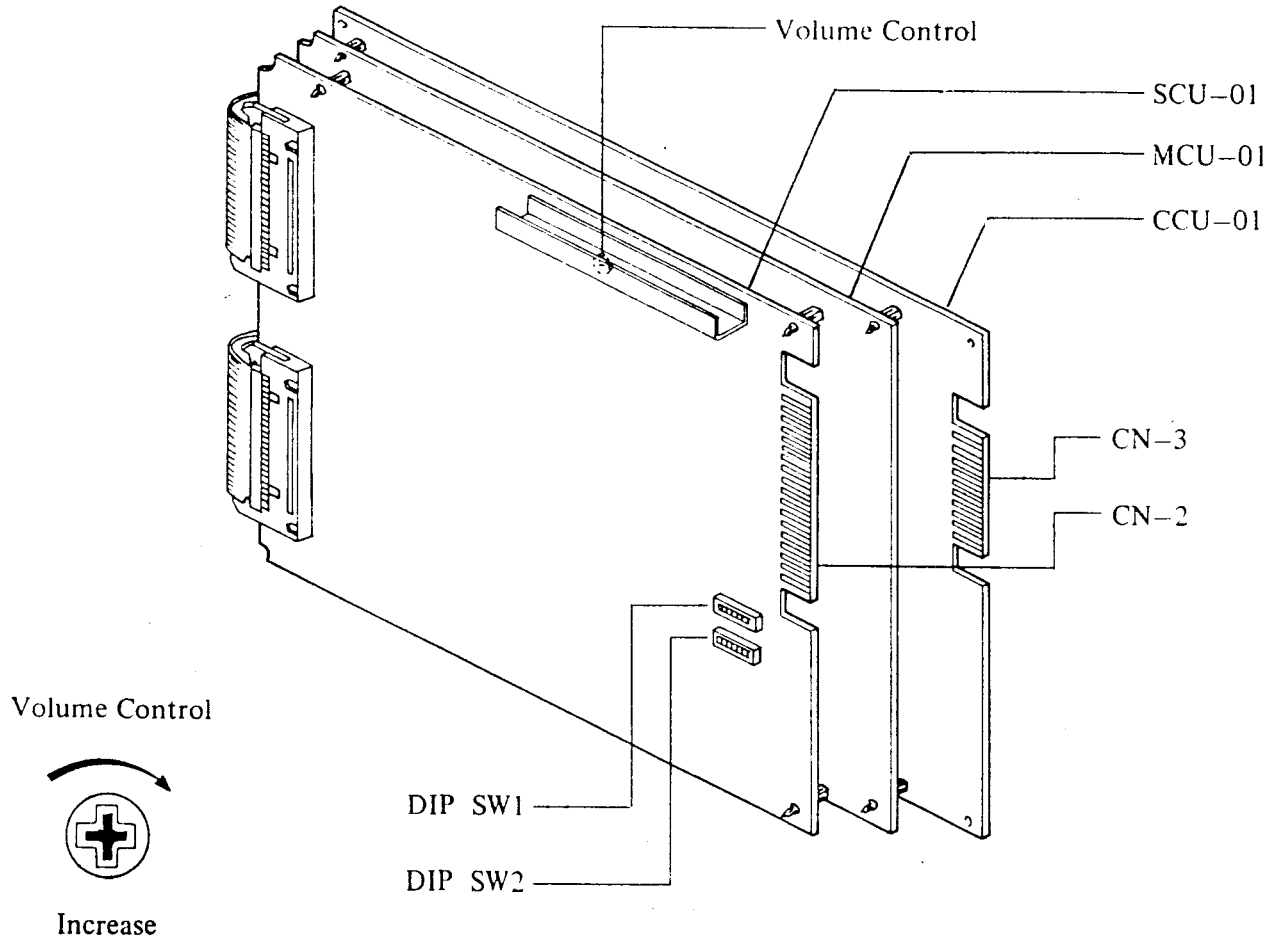
(2) Synchronize Signal Composite or Horiz/Vert separated.

0 0 - 0.5V

1 +3V - +5V

PCB IDENTIFICATION

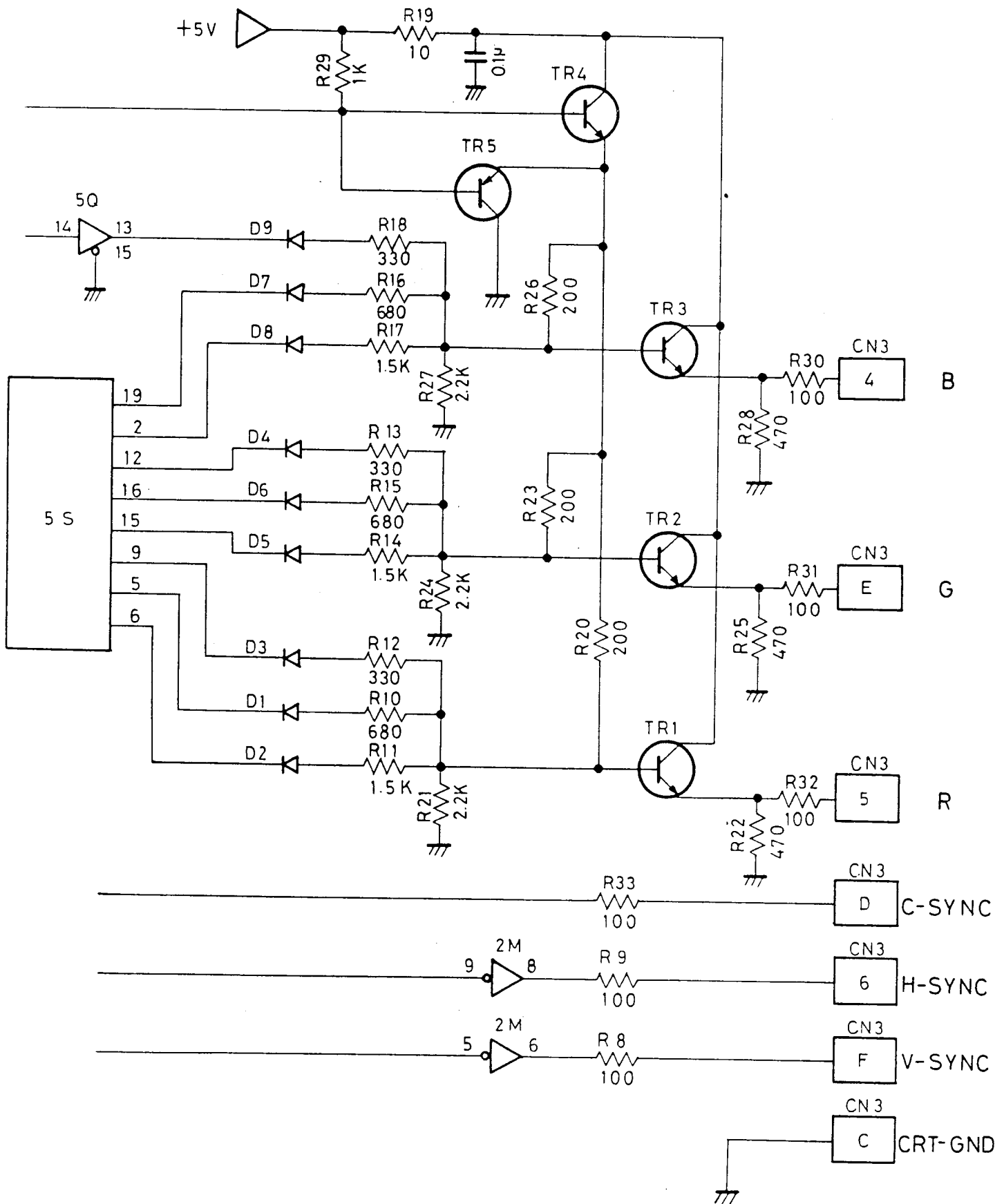
CONNECTOR SCU-01 CR7E-36DA-3.96E (CN-2)
CCU-01 CR7E-20DA-3.96E (CN-3)



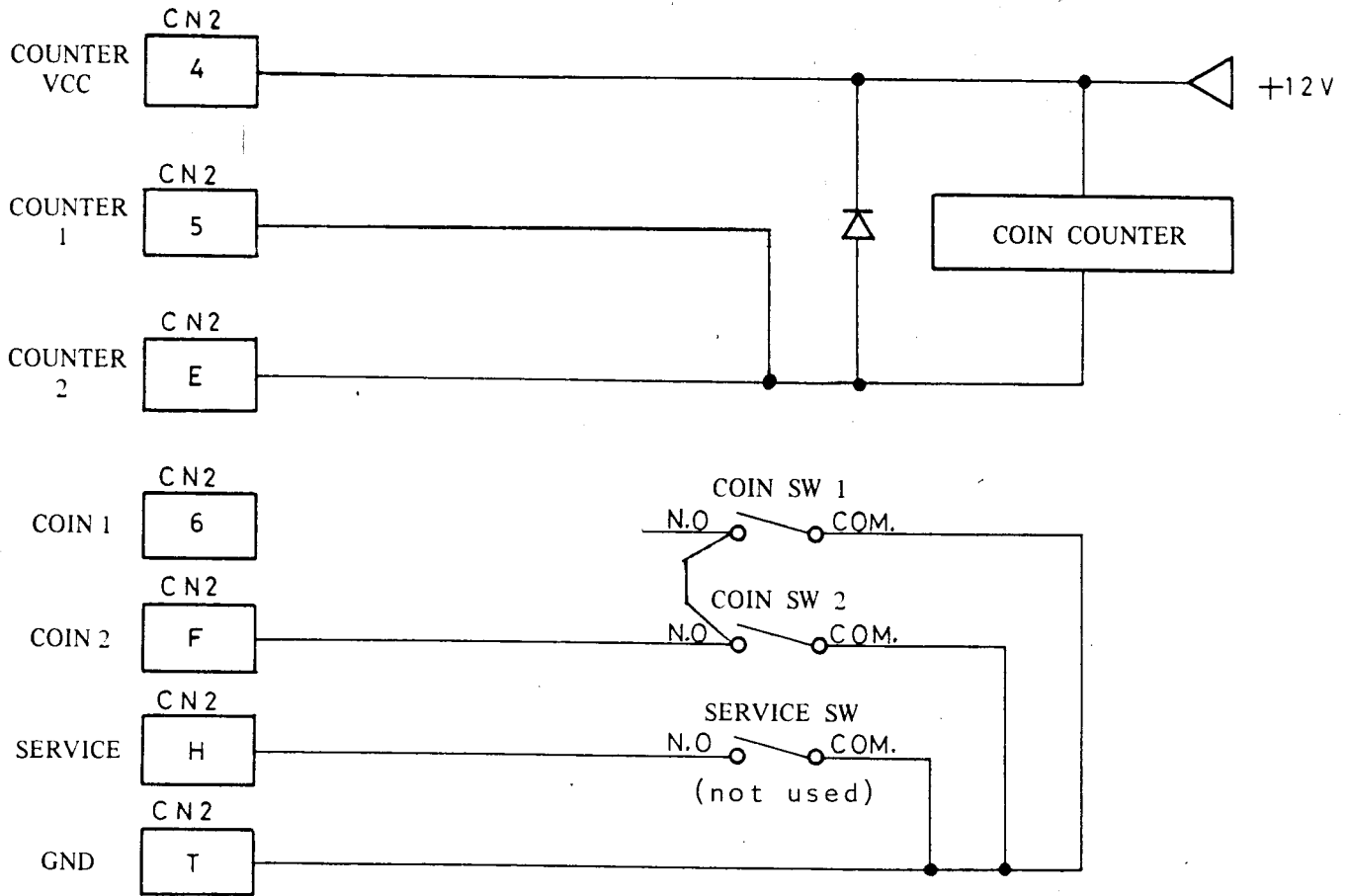
MONITOR CONNECTION PCB CCU-01

Monitor input composite signals – Horiz/Vert on +5V can be connected.

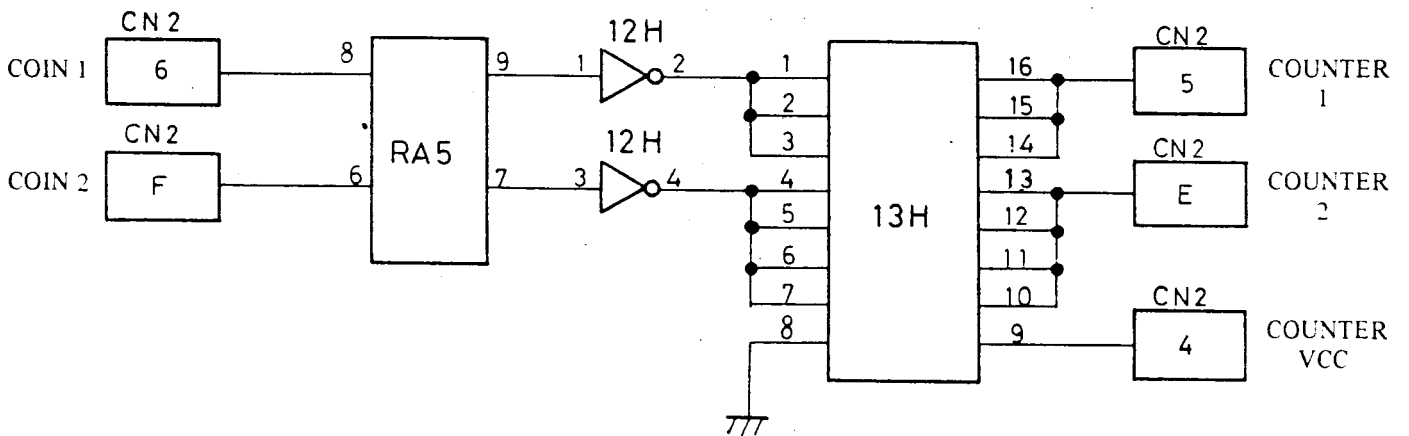
Circuit diagram of each signal shown below.

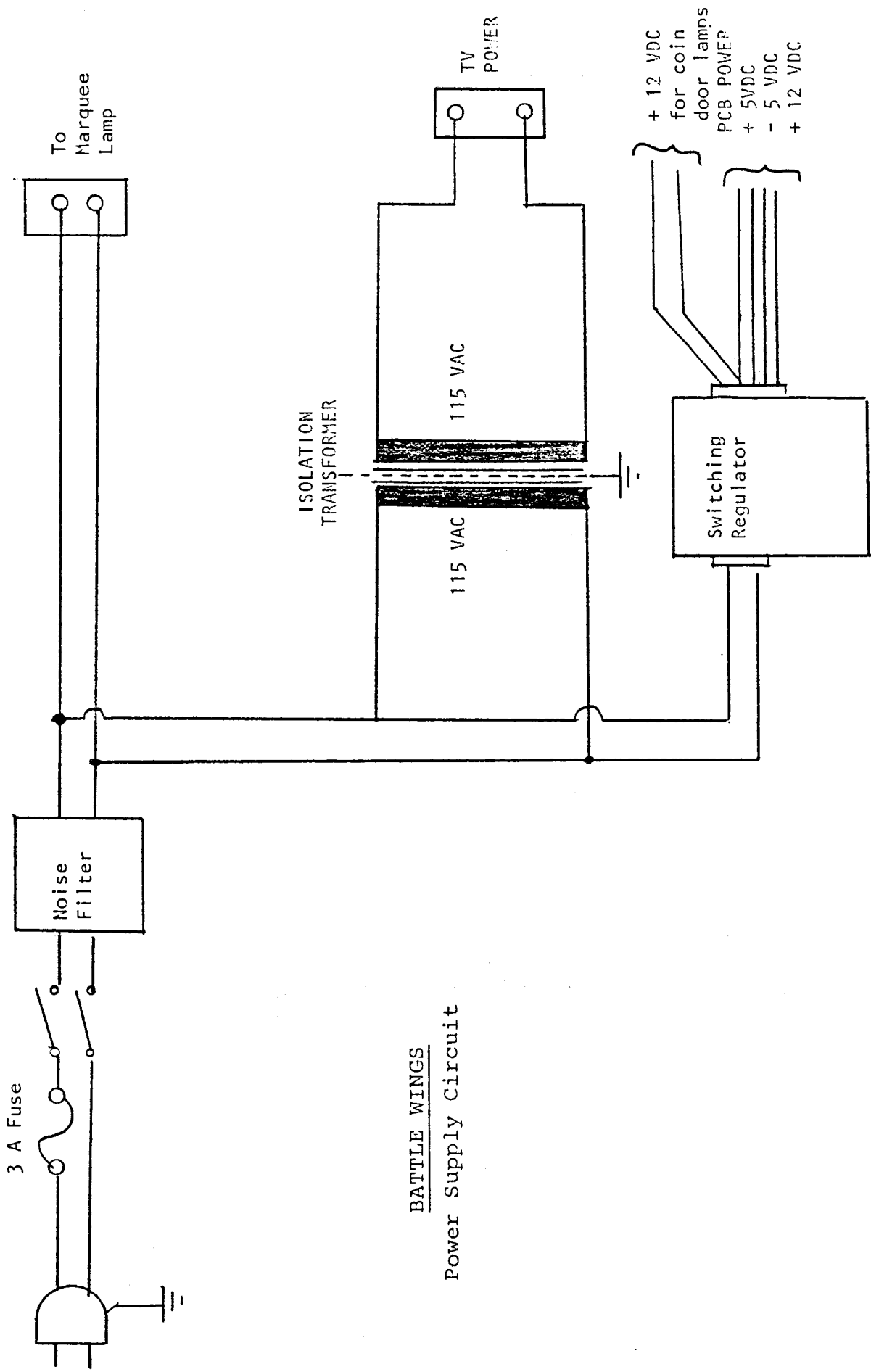


COIN COUNTER - CIRCUIT



COIN COUNTER - DRIVE CIRCUIT PCB SCU-01

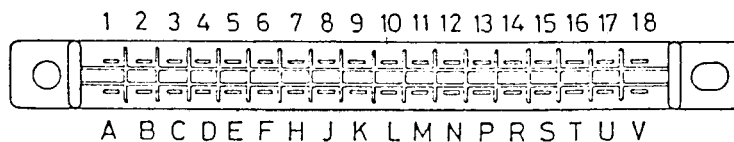




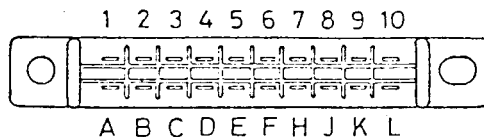
BATTLE WINGS
Power Supply Circuit

HARNESS CONNECTION

1) Terminal Numbering CR7E-36DA-3.96E (HIROSE) 3.96mm Pitch



CR7E-20DA-3.96E (HIROSE) 3.96mm Pitch



2) Signal to Terminal

CCU-01 Connector CN3-CR7E-20DA-3.96E

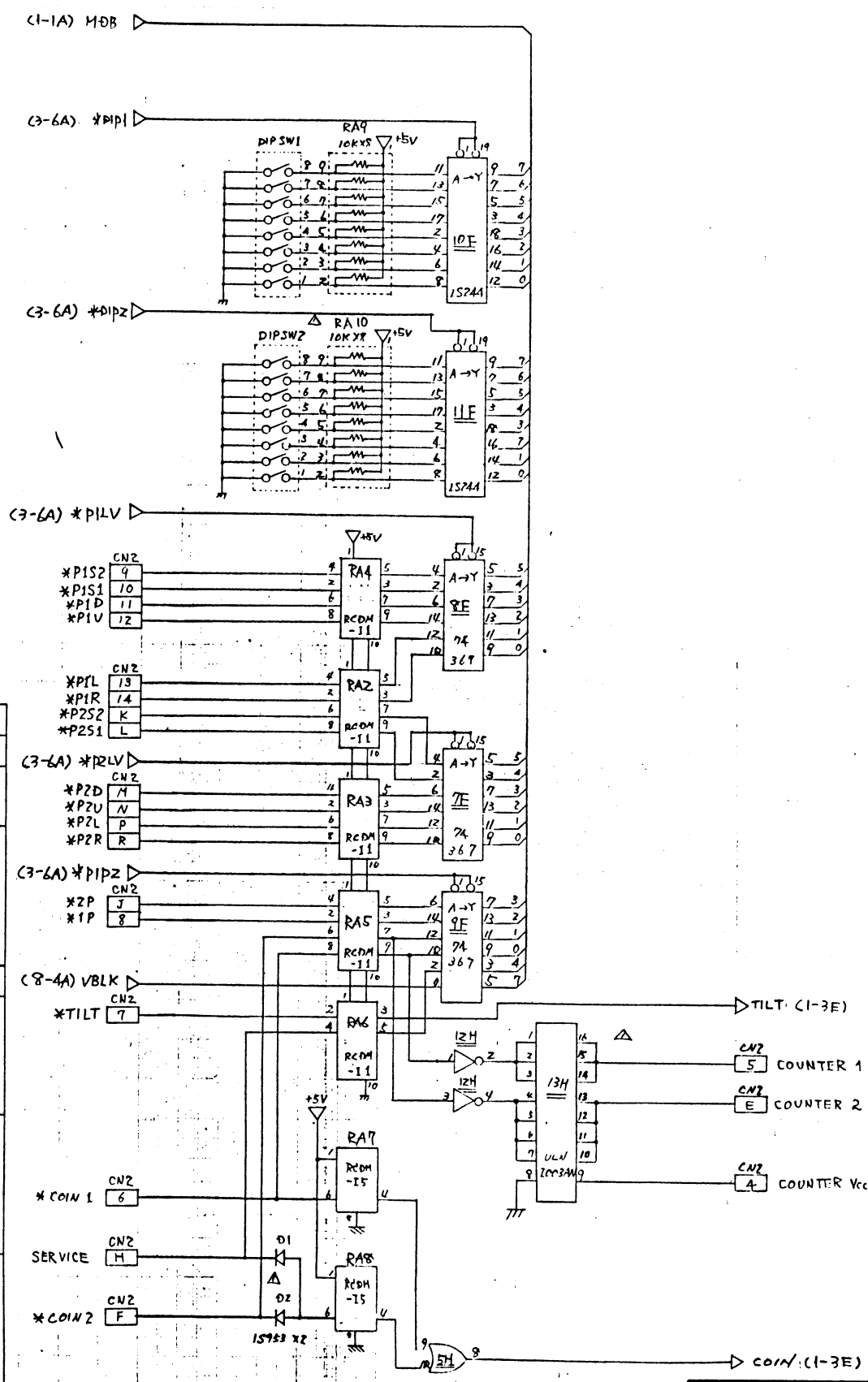
Pin	Signal	Pin	Signal
1	GND	A	GND
2	GND	B	GND
3	GND	C	TV. GND
4	TV. B	D	SYNC.
5	TV. R	E	TV. G
6	H-SYNC	F	V-SYNC
7		H	
8	+5V	J	+5V
9	+5V	K	+5V
10	+5V	L	+5V

SCU-01 Connector CN2-CR7E-36DA-3.96E

Pin	Signal	Pin	Signal
1	+12V	A	+12V
2	+5V	B	+5V
3	+5V	C	+5V
4	COUNTER Vcc	D	-5V
5	COUNTER 1	E	COUNTER 2
6	COIN 1	F	COIN 2
7	TILT SW.	H	SERVICE
8	1P	J	2P
9	1P SHOOT 2	K	2P SHOOT 2
10	1P SHOOT 1	L	2P SHOOT 1
11	1P DOWN	M	2P DOWN
12	1P UP	N	2P UP
13	1P LEFT	P	2P LEFT
14	1P RIGHT	R	2P RIGHT
15	SPEAKER +	S	SPEAKER -
16	GND	T	GND
17	GND	U	GND
18	GND	V	GND

COCKTAIL
TABLE
ONLY

1	開運番号
2	仕様、名称



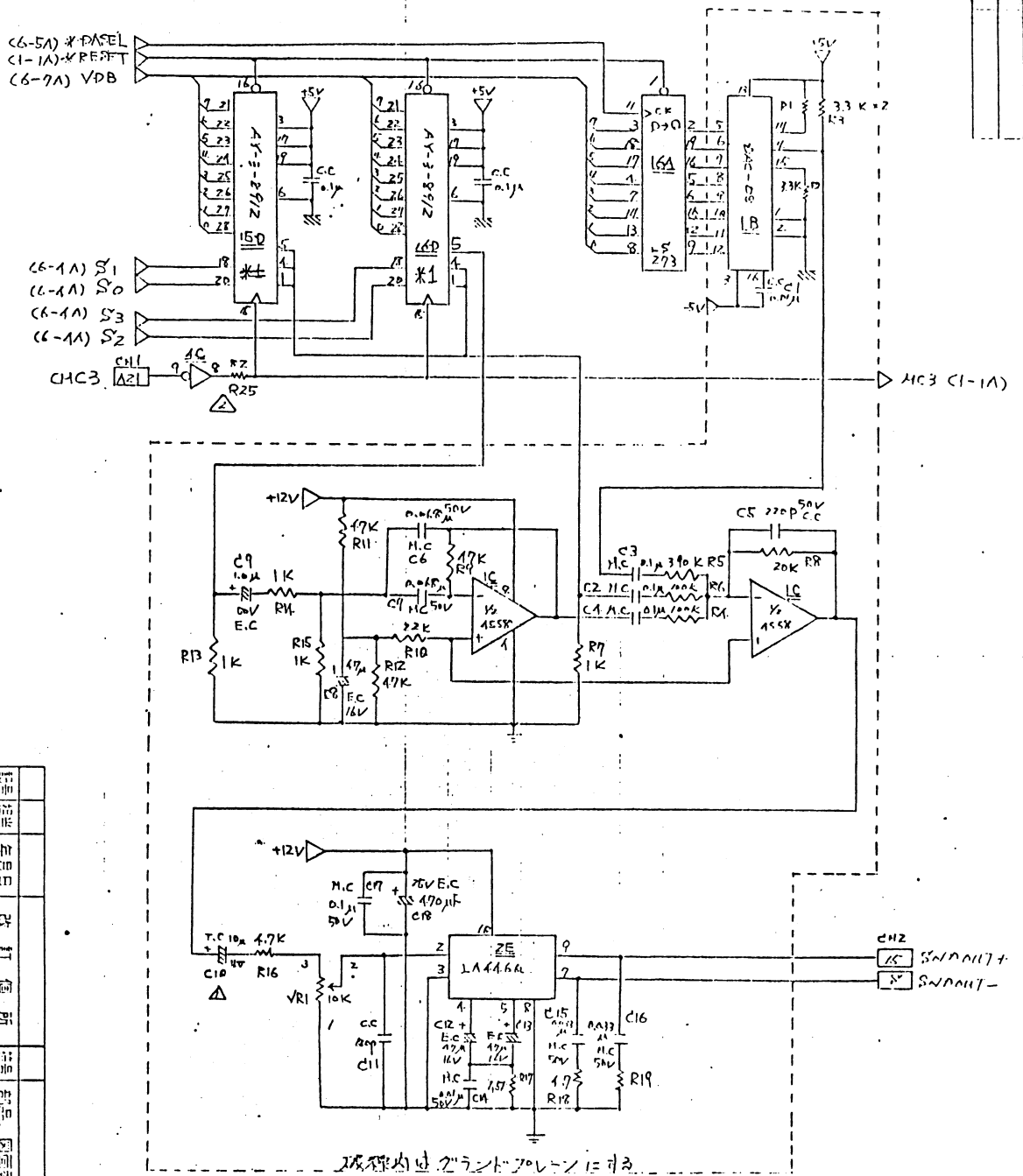
記事
△59.3.15 (1) 07-52240 迄

材料	記号	担当者	年月日	改訂	個所	番号	部品、図面番号	名称	仕様、材質
開運番号	SCU-01	SCU-01						SCU-01 回路図	
仕様、名称								K-10694-2	

第3角法

株式会社

記号
 △ 5V 1/4W 1/4W 1/4W 1/4W
 ○ 5V 1/4W 1/4W 1/4W 1/4W
 □ 5V 1/4W 1/4W 1/4W 1/4W
 TL-07-7070 投入 投入 投入 投入

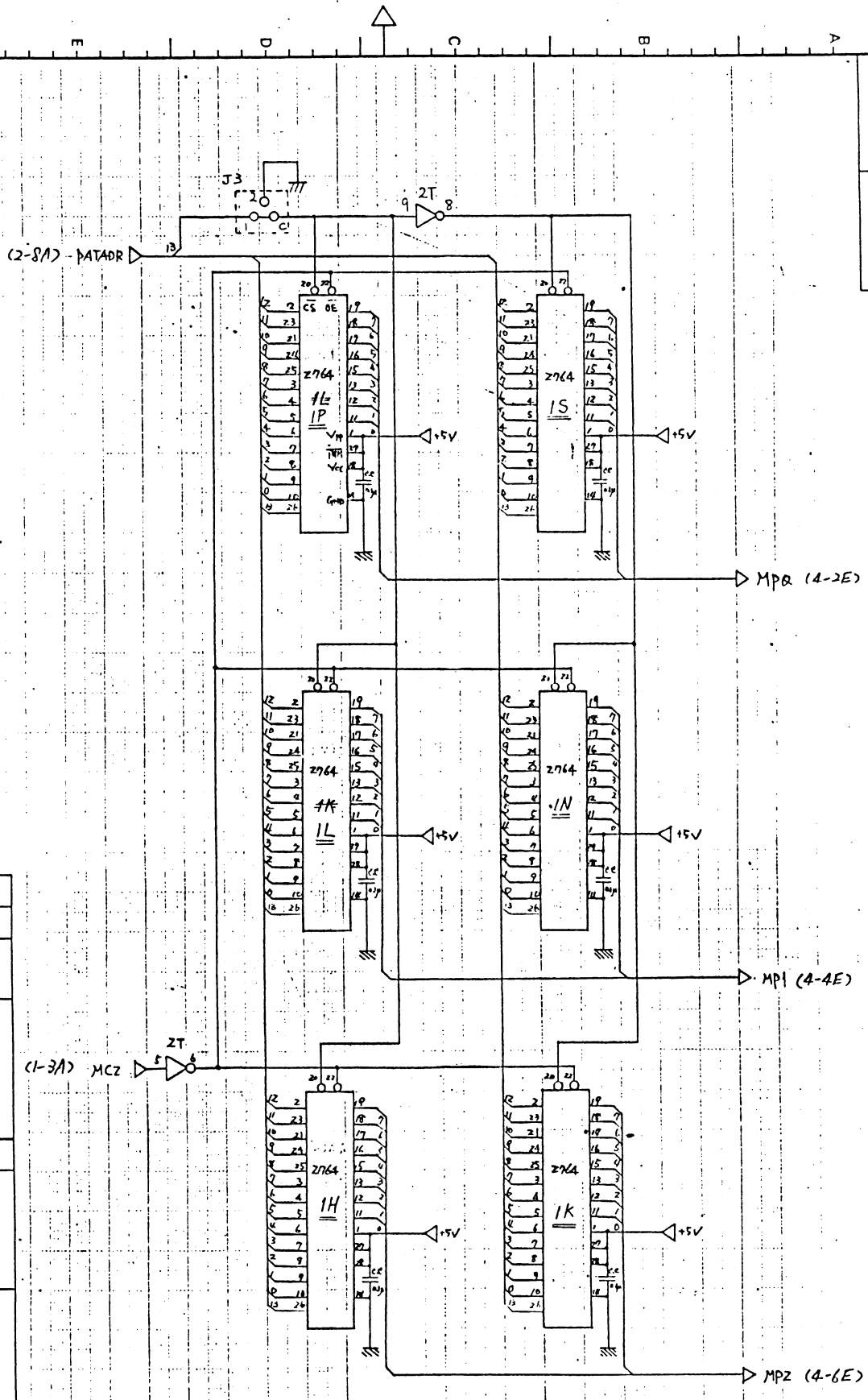


注1 実装せず

第3角法

材料	部号	部品名	数量	公差	名称
电阻	1K	R13	1		1K
电阻	1K	R15	1		1K
电阻	1K	R16	1		1K
电阻	10K	R17	1		10K
电阻	10K	R18	1		10K
电阻	10K	R19	1		10K
电阻	10K	R20	1		10K
电阻	10K	R21	1		10K
电阻	10K	R22	1		10K
电阻	10K	R23	1		10K
电阻	10K	R24	1		10K
电阻	10K	R25	1		10K
电阻	10K	R26	1		10K
电阻	10K	R27	1		10K
电阻	10K	R28	1		10K
电阻	10K	R29	1		10K
电阻	10K	R30	1		10K
电阻	10K	R31	1		10K
电阻	10K	R32	1		10K
电阻	10K	R33	1		10K
电阻	10K	R34	1		10K
电阻	10K	R35	1		10K
电阻	10K	R36	1		10K
电阻	10K	R37	1		10K
电阻	10K	R38	1		10K
电阻	10K	R39	1		10K
电阻	10K	R40	1		10K
电阻	10K	R41	1		10K
电阻	10K	R42	1		10K
电阻	10K	R43	1		10K
电阻	10K	R44	1		10K
电阻	10K	R45	1		10K
电阻	10K	R46	1		10K
电阻	10K	R47	1		10K
电阻	10K	R48	1		10K
电阻	10K	R49	1		10K
电阻	10K	R50	1		10K
电阻	10K	R51	1		10K
电阻	10K	R52	1		10K
电阻	10K	R53	1		10K
电阻	10K	R54	1		10K
电阻	10K	R55	1		10K
电阻	10K	R56	1		10K
电阻	10K	R57	1		10K
电阻	10K	R58	1		10K
电阻	10K	R59	1		10K
电阻	10K	R60	1		10K
电阻	10K	R61	1		10K
电阻	10K	R62	1		10K
电阻	10K	R63	1		10K
电阻	10K	R64	1		10K
电阻	10K	R65	1		10K
电阻	10K	R66	1		10K
电阻	10K	R67	1		10K
电阻	10K	R68	1		10K
电阻	10K	R69	1		10K
电阻	10K	R70	1		10K
电阻	10K	R71	1		10K
电阻	10K	R72	1		10K
电阻	10K	R73	1		10K
电阻	10K	R74	1		10K
电阻	10K	R75	1		10K
电阻	10K	R76	1		10K
电阻	10K	R77	1		10K
电阻	10K	R78	1		10K
电阻	10K	R79	1		10K
电阻	10K	R80	1		10K
电阻	10K	R81	1		10K
电阻	10K	R82	1		10K
电阻	10K	R83	1		10K
电阻	10K	R84	1		10K
电阻	10K	R85	1		10K
电阻	10K	R86	1		10K
电阻	10K	R87	1		10K
电阻	10K	R88	1		10K
电阻	10K	R89	1		10K
电阻	10K	R90	1		10K
电阻	10K	R91	1		10K
电阻	10K	R92	1		10K
电阻	10K	R93	1		10K
电阻	10K	R94	1		10K
电阻	10K	R95	1		10K
电阻	10K	R96	1		10K
电阻	10K	R97	1		10K
电阻	10K	R98	1		10K
电阻	10K	R99	1		10K
电阻	10K	R100	1		10K
电阻	10K	R101	1		10K
电阻	10K	R102	1		10K
电阻	10K	R103	1		10K
电阻	10K	R104	1		10K
电阻	10K	R105	1		10K
电阻	10K	R106	1		10K
电阻	10K	R107	1		10K
电阻	10K	R108	1		10K
电阻	10K	R109	1		10K
电阻	10K	R110	1		10K
电阻	10K	R111	1		10K
电阻	10K	R112	1		10K
电阻	10K	R113	1		10K
电阻	10K	R114	1		10K
电阻	10K	R115	1		10K
电阻	10K	R116	1		10K
电阻	10K	R117	1		10K
电阻	10K	R118	1		10K
电阻	10K	R119	1		10K
电阻	10K	R120	1		10K
电阻	10K	R121	1		10K
电阻	10K	R122	1		10K
电阻	10K	R123	1		10K
电阻	10K	R124	1		10K
电阻	10K	R125	1		10K
电阻	10K	R126	1		10K
电阻	10K	R127	1		10K
电阻	10K	R128	1		10K
电阻	10K	R129	1		10K
电阻	10K	R130	1		10K
电阻	10K	R131	1		10K
电阻	10K	R132	1		10K
电阻	10K	R133	1		10K
电阻	10K	R134	1		10K
电阻	10K	R135	1		10K
电阻	10K	R136	1		10K
电阻	10K	R137	1		10K
电阻	10K	R138	1		10K
电阻	10K	R139	1		10K
电阻	10K	R140	1		10K
电阻	10K	R141	1		10K
电阻	10K	R142	1		10K
电阻	10K	R143	1		10K
电阻	10K	R144	1		10K
电阻	10K	R145	1		10K
电阻	10K	R146	1		10K
电阻	10K	R147	1		10K
电阻	10K	R148	1		10K
电阻	10K	R149	1		10K
电阻	10K	R150	1		10K
电阻	10K	R151	1		10K
电阻	10K	R152	1		10K
电阻	10K	R153	1		10K
电阻	10K	R154	1		10K
电阻	10K	R155	1		10K
电阻	10K	R156	1		10K
电阻	10K	R157	1		10K
电阻	10K	R158	1		10K
电阻	10K	R159	1		10K
电阻	10K	R160	1		10K
电阻	10K	R161	1		10K
电阻	10K	R162	1		10K
电阻	10K	R163	1		10K
电阻	10K	R164	1		10K
电阻	10K	R165	1		10K
电阻	10K	R166	1		10K
电阻	10K	R167	1		10K
电阻	10K	R168	1		10K
电阻	10K	R169	1		10K
电阻	10K	R170	1		10K
电阻	10K	R171	1		10K
电阻	10K	R172	1		10K
电阻	10K	R173	1		10K
电阻	10K	R174	1		10K
电阻	10K	R175	1		10K
电阻	10K	R176	1		10K
电阻	10K	R177	1		10K
电阻	10K	R178	1		10K
电阻	10K	R179	1		10K
电阻	10K	R180	1		10K
电阻	10K	R181	1		10K
电阻	10K	R182	1		10K
电阻	10K	R183	1		10K
电阻	10K	R184	1		10K
电阻	10K	R185	1		10K
电阻	10K	R186	1		10K
电阻	10K	R187	1		10K
电阻	10K	R188	1		10K
电阻	10K	R189	1		10K
电阻	10K	R190	1		10K
电阻	10K	R191	1		10K
电阻	10K	R192	1		10K
电阻	10K	R193	1		10K
电阻	10K	R194	1		10K
电阻	10K	R195	1		10K
电阻	10K	R196	1		10K
电阻	10K	R197	1		10K
电阻	10K	R198	1		10K
电阻	10K	R199	1		10K
电阻	10K	R200	1		10K
电阻	10K	R201	1		10K
电阻	10K	R202	1		10K
电阻	10K	R203	1		10K
电阻	10K	R204	1		10K
电阻	10K	R205	1		10K
电阻	10K	R206	1		10K
电阻	10K	R207	1		10K
电阻	10K	R208	1		10K
电阻	10K	R209	1		10K
电阻	10K	R210	1		10K
电阻	10K	R211	1		10K
电阻	10K	R212	1		10K
电阻	10K	R213	1		10K
电阻	10K	R214	1		10K
电阻	10K	R215	1		10K
电阻	10K	R216	1		10K
电阻	10K	R217	1		10K
电阻	10K	R218	1		10K
电阻	10K	R219	1		10K
电阻	10K	R220	1		10K
电阻	10K	R221	1		10K
电阻	10K	R222	1		10K
电阻	10K	R223	1		10K
电阻	10K	R224	1		10K
电阻	10K	R225	1		10K
电阻	10K	R226	1		10K
电阻	10K	R227	1		10K
电阻	10K	R228	1		10K
电阻	10K	R229	1		10K
电阻	10K	R230	1		10K
电阻	10K	R231	1		10K
电阻	10K	R232	1		10K
电阻	10K	R233	1		10K
电阻	10K	R234	1		10K
电阻	10K	R235	1		10K
电阻	1				

問題番号	仕様、名称
------	-------



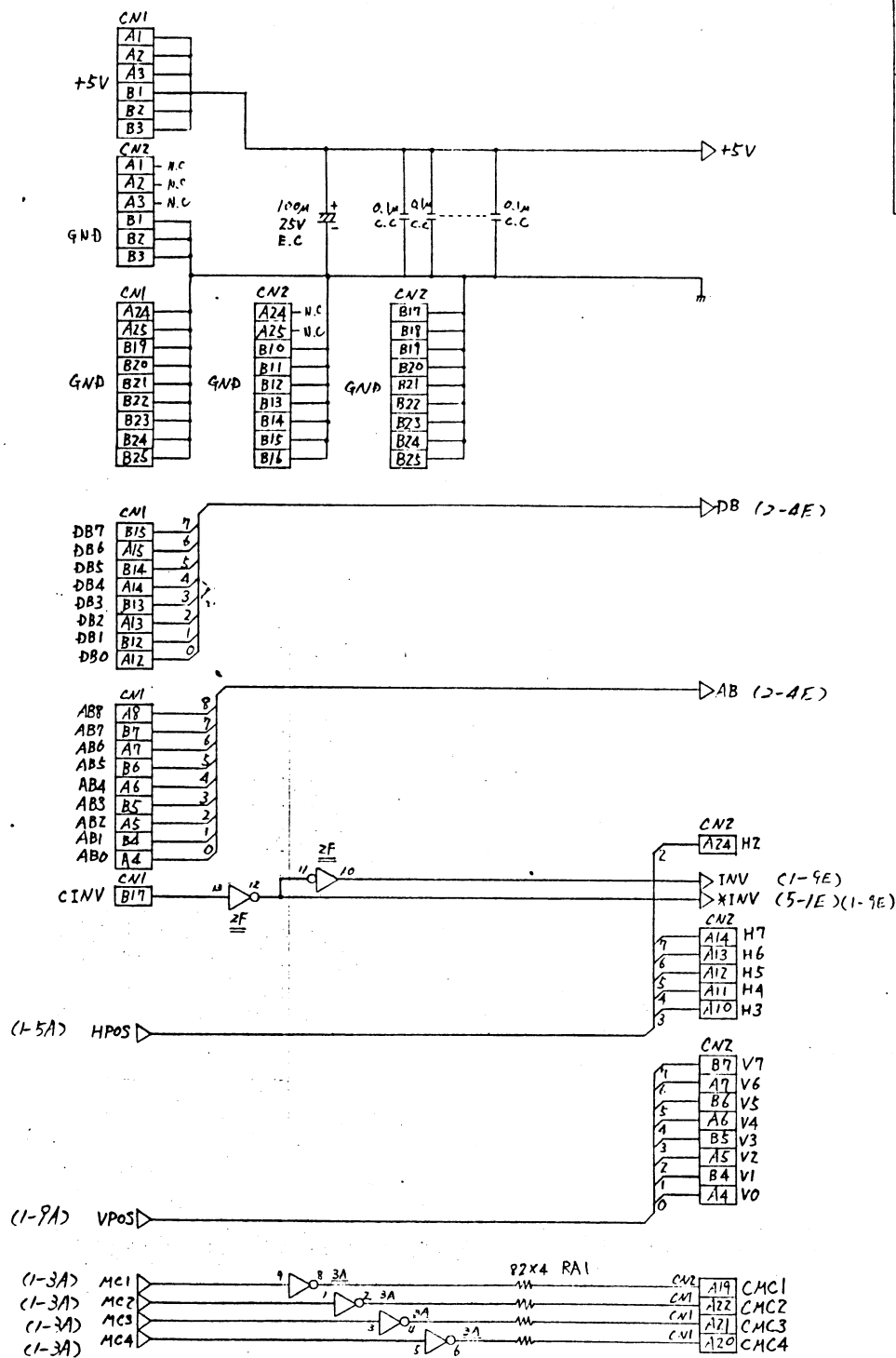
記事 経 RCM 2712C およ 2714 に変更した回路差替元

記号	担当	年月日	改訂	個所	符号	部品	図面番号	名称	名	称	仕様、材質	数量
材料												
承認	検査	検定	検出	担当	単位	mm	図番					
10/10/17	10/10/17	10/10/17	10/10/17	10/10/17	10/10/17	10/10/17	10/10/17					
								名称	MCU-01 回路図			
								図番	K-10696-2			
								数量	3			
								単位	6			

第 3 角法

株式会社 三洋電機

関連番号	仕様・名称
------	-------



記事

記号	担当者	年月日	改訂	個所	符号	部品、図面番号	名称	仕様、材質
材料							MCU-01 回路図	

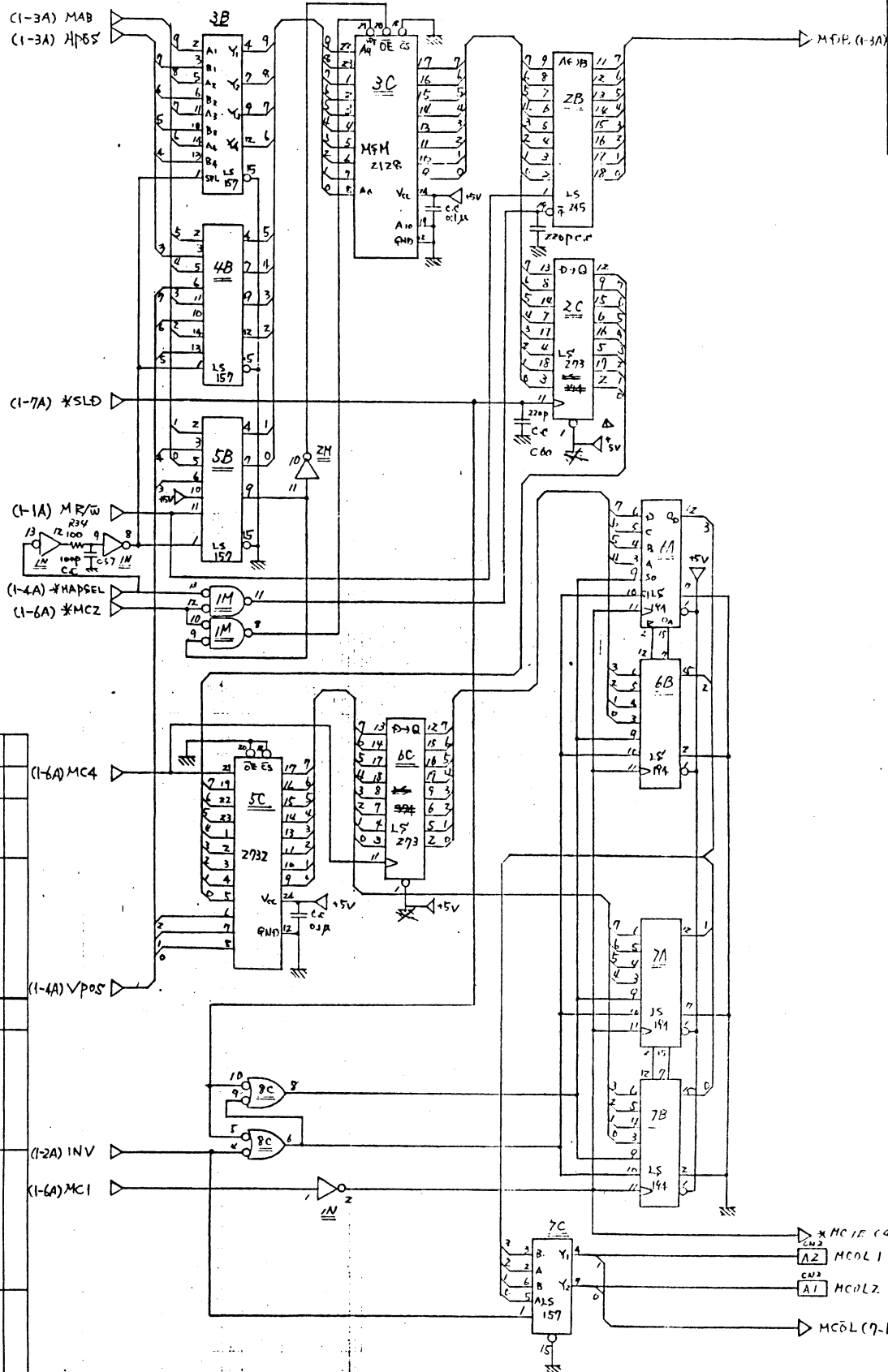
承認	検査	検査	検査	検査	検査	検査	検査	検査
承認	検査	検査	検査	検査	検査	検査	検査	検査

第3角法

株式会社

K-10696-2

関連番号 仕様名称



記事
 Δ 59. 3. 15 加添 使用TTL変更の為

第3角法

記号	年月日	改訂箇所	符号	部品、図面番号	名称	仕様、材質
材質		処理			名	称
公差						
単位						
mm						
図番						
K-18698-2						
CCU-01回路図						
2						

株式会社 日立製作所

