

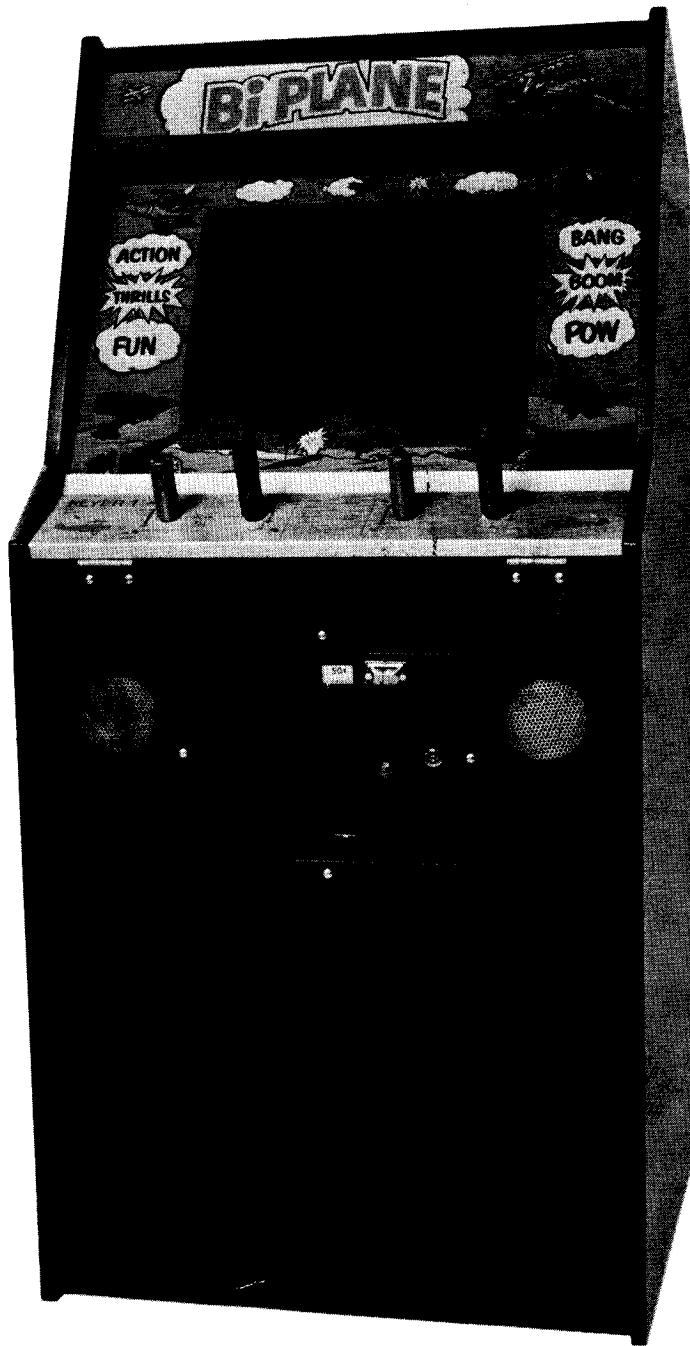
This document has been downloaded from:



The largest resource for amusement machines
documentation on the world wide web!



FLIPPERSPILL.COM



BI PLANE
TM

FUN GAMES INC.

**INSTRUCTION
MANUAL**

JANUARY 1976

TABLE OF CONTENTS

General Instructions	3
Components and Descriptions	4 thru 7
Trouble Shooting	8
Price List	9
Motion Board Schematics	10 & 11
Cabinet Interconnection Schematic	12
Power Supply Schematic	12
Memory Boards Schematics	13, 14 & 15
Sync Boards Schematics	16, 17 & 18
Warranty	19

GENERAL INSTRUCTIONS

INSTALLATION:

Open back of cabinet and MAKE SURE ALL BOARDS ARE PROPERLY SEATED INTO CARD CAGE. Plug into AC Power.

PRICE PER GAME SWITCH:

Located at the top of the memory board is the price per game switch. Up is one coin per game and down is two coins per game.

GAME TIME POT:

Directly below the price per game switch is the game time pot.

WHITE PLANE SHOT RANGE POT:

Directly below the game time pot is the white plane shot range pot. Turning clockwise increases shot range. Range should be adjusted to be equal to black plane range.

VOLUME 2 POT (Location "2"):

Volume for white plane is controlled by the top pot on the *sync* board. Clockwise increases volume.

VOLUME 1 POT (Location "1"):

Directly below the volume 2 pot is the black plane volume. Operates same as volume 2 pot.

NOTE: FOLLOWING CONTROLS ARE FACTORY SET. QUALIFIED TECHNICAL PERSONNEL ONLY SHOULD ADJUST.

NOISE VOLUME:

Location #4 controls shot and boom plane relative volume.

PITCH 2:

Controls pitch of black plane motor.

tone 2:

Controls tone of black plane motor.

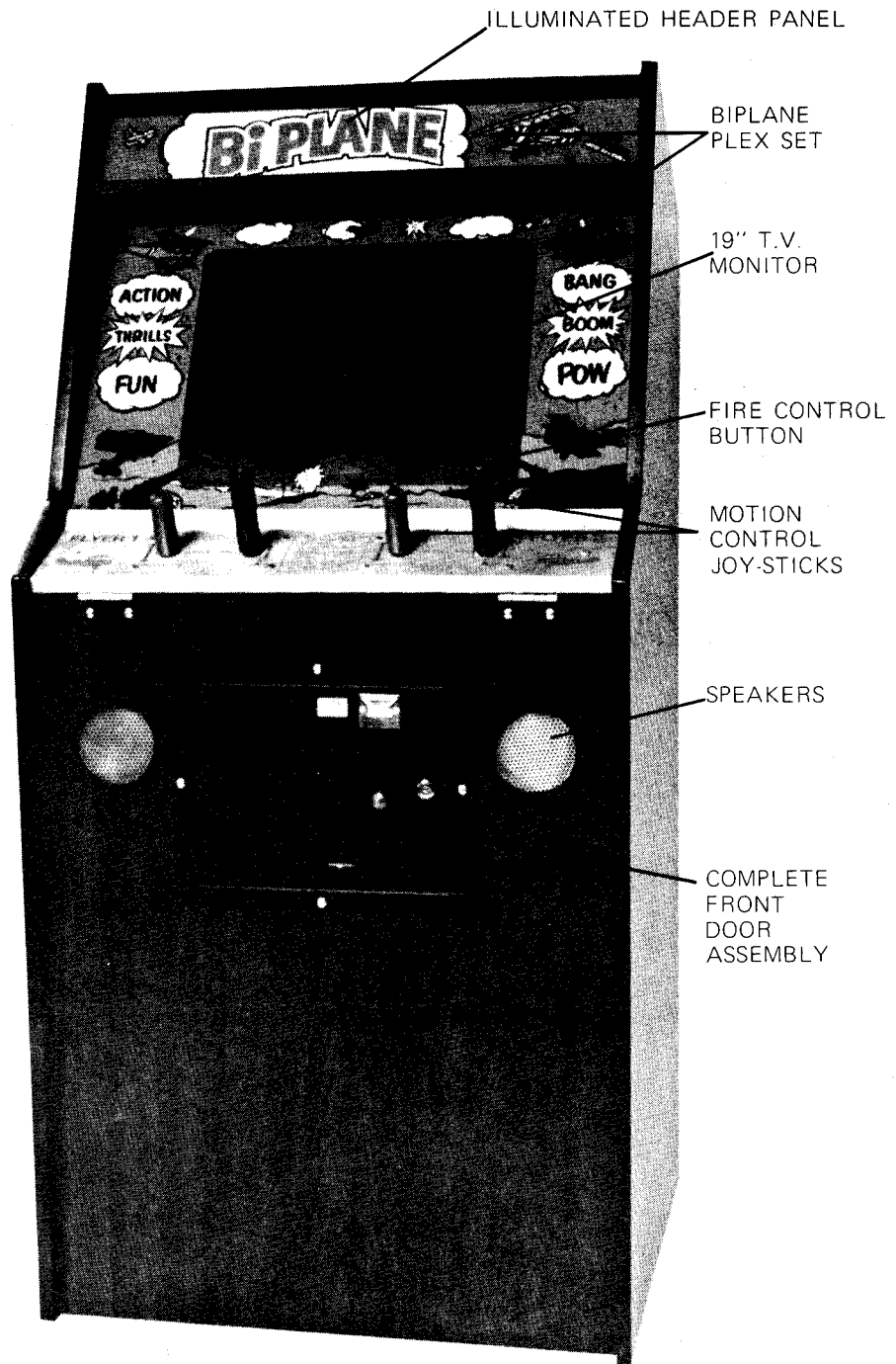
PITCH 1:

Same as pitch 2 for white plane.

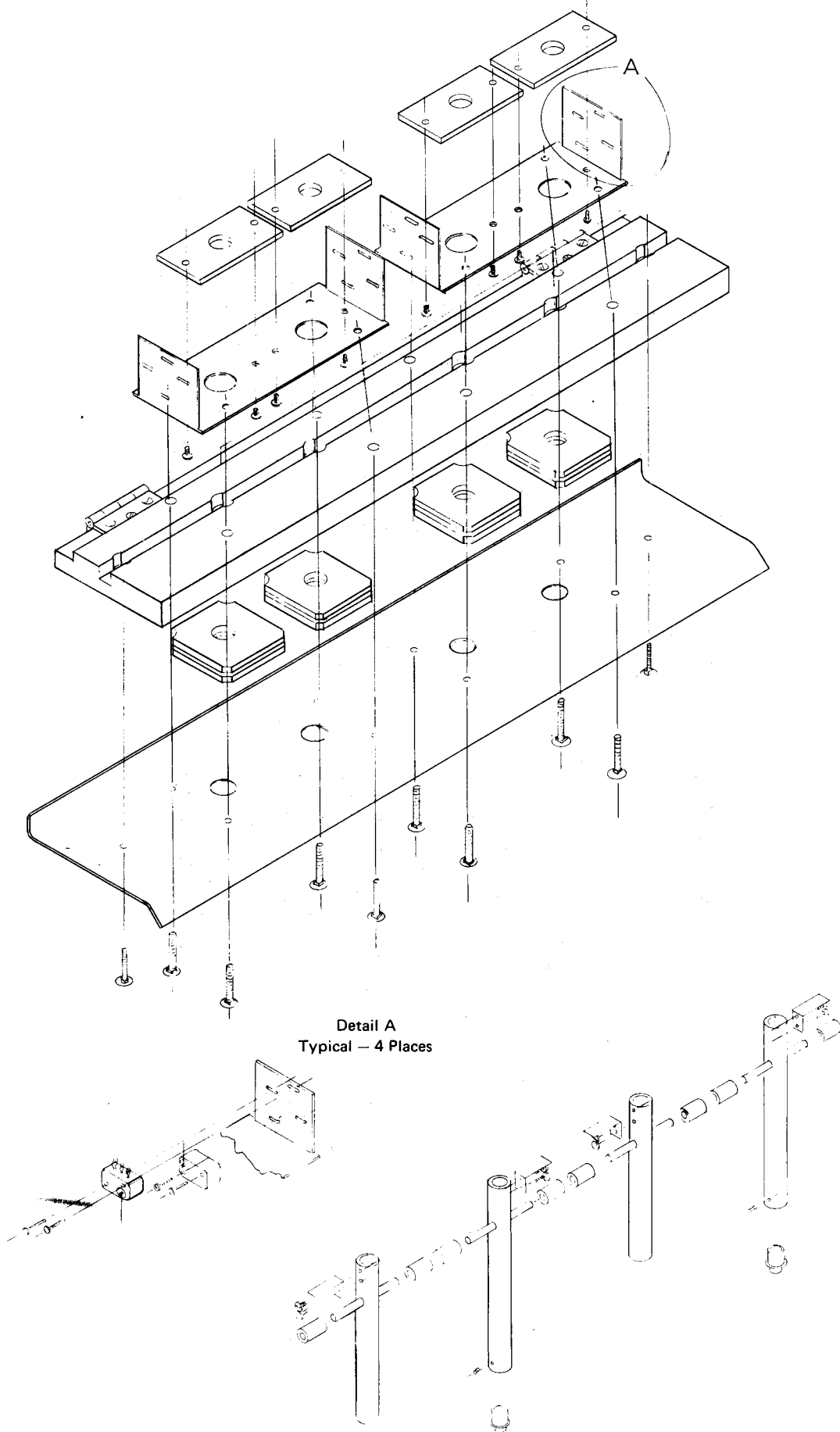
tone 1:

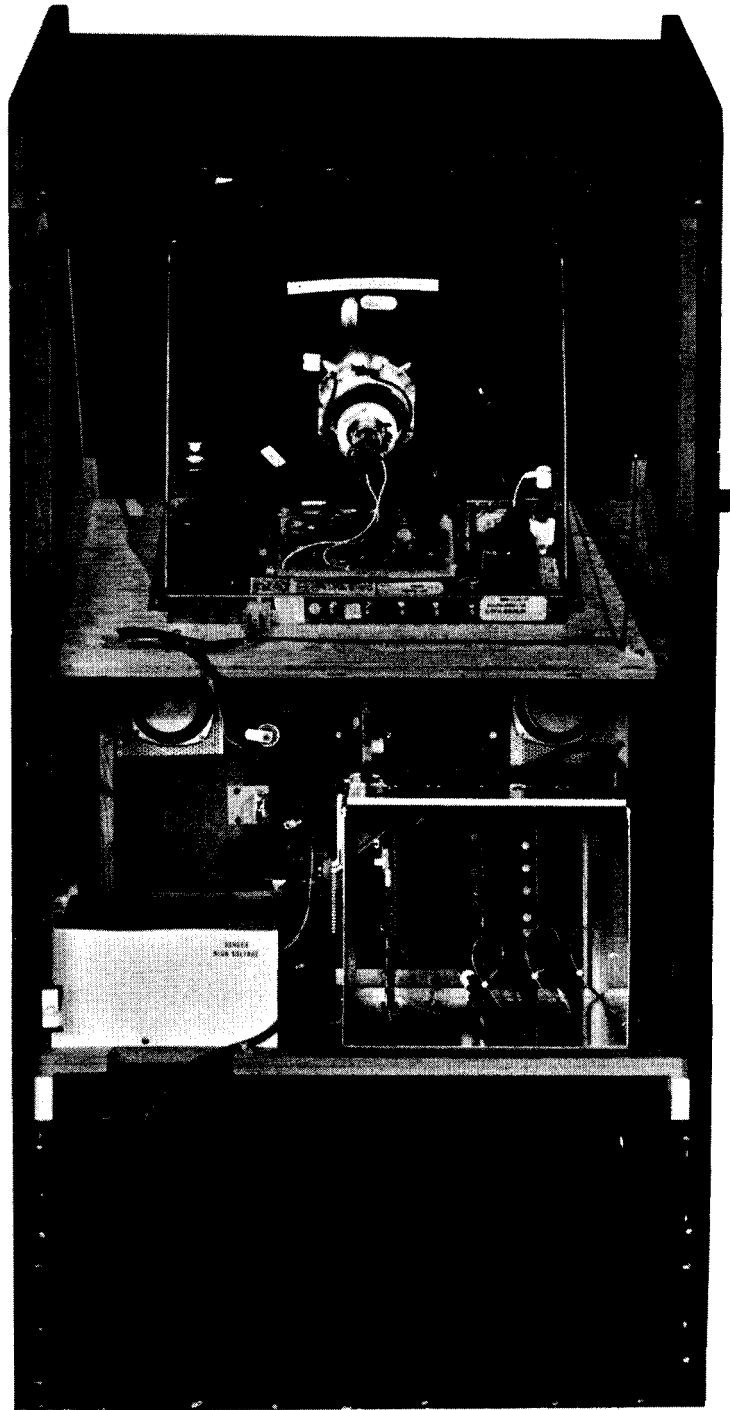
Same as tone 2 for white plane.

NOTE: BE SURE ALL BOARDS ARE PROPERLY SEATED, INCLUDING INTERCONNECT BOARDS IN HARNESS CONNECTOR.

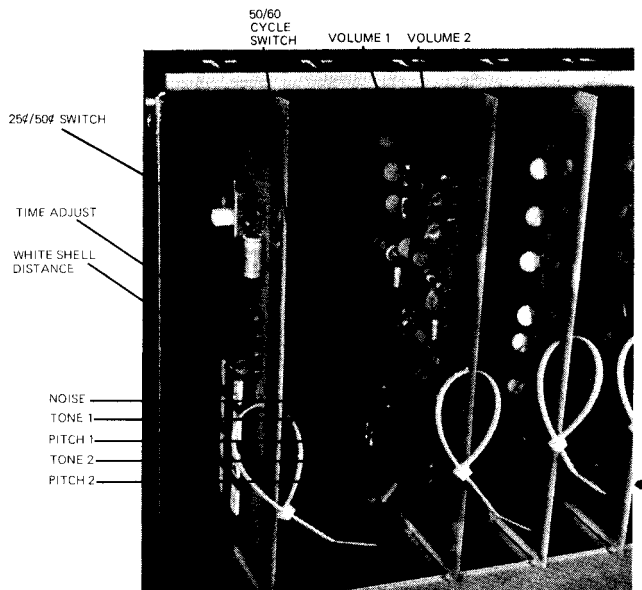
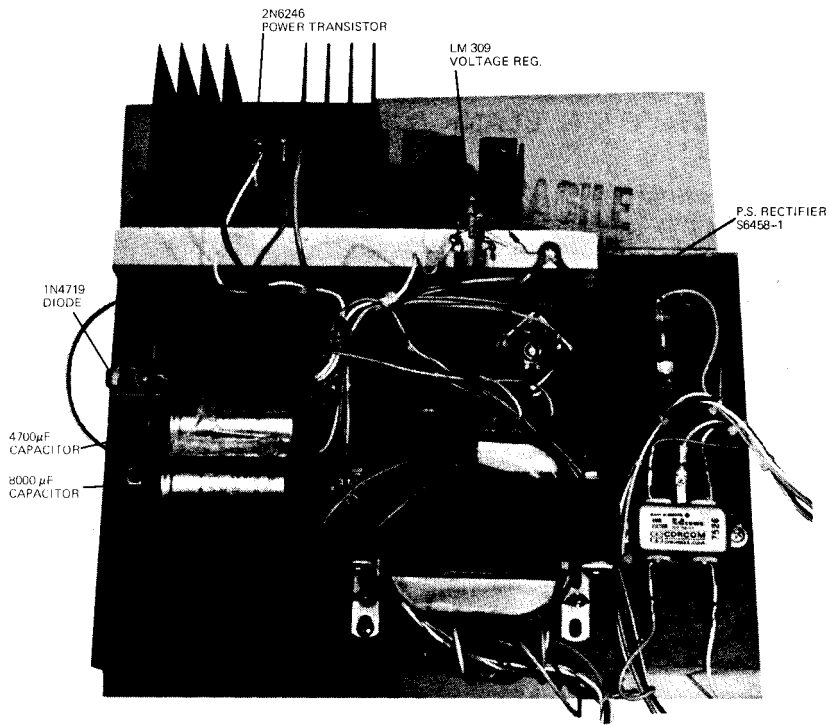


COMPONENTS AND DESCRIPTION





COMPONENTS AND DESCRIPTION



TROUBLE SHOOTING

TROUBLESHOOTING GUIDE

AUDIO

1. Check speakers and connections
2. Adjust audio controls on synch board
3. Change synch board

VIDEO (RIPPLE, DISTORTION, BLANK SCREEN)

1. Measure +5V
2. Check interlock switches
3. Shorted diode in P.S. rectifier
4. Change synch board

VIDEO (SHAKE)

1. Adjust T.V. controls
2. Change crystal/4024 I.C. on synch board

MOTION

1. Check control panel switches
2. Switch motion boards — if problem persists on same side (ie. black or white plane) change memory board

SCORING

1. Change memory board

Important: Severe damage will occur if any board but the synch board is inserted in synch board socket.

1. Check control panel switches
2. Switch motion boards — if problem persists on same side (i.e., black or white plane) change memory board

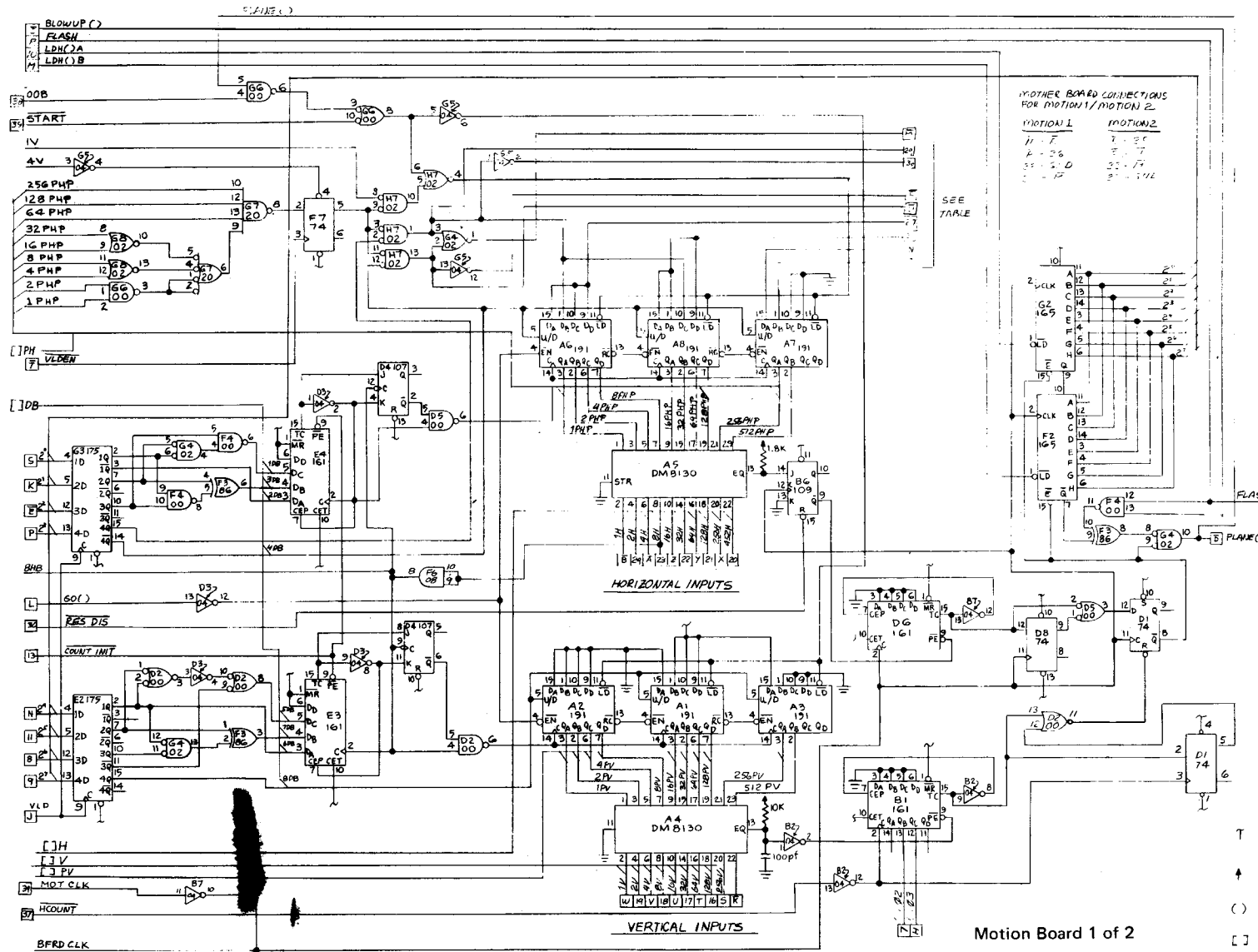
PRICE LIST

PARTS LIST

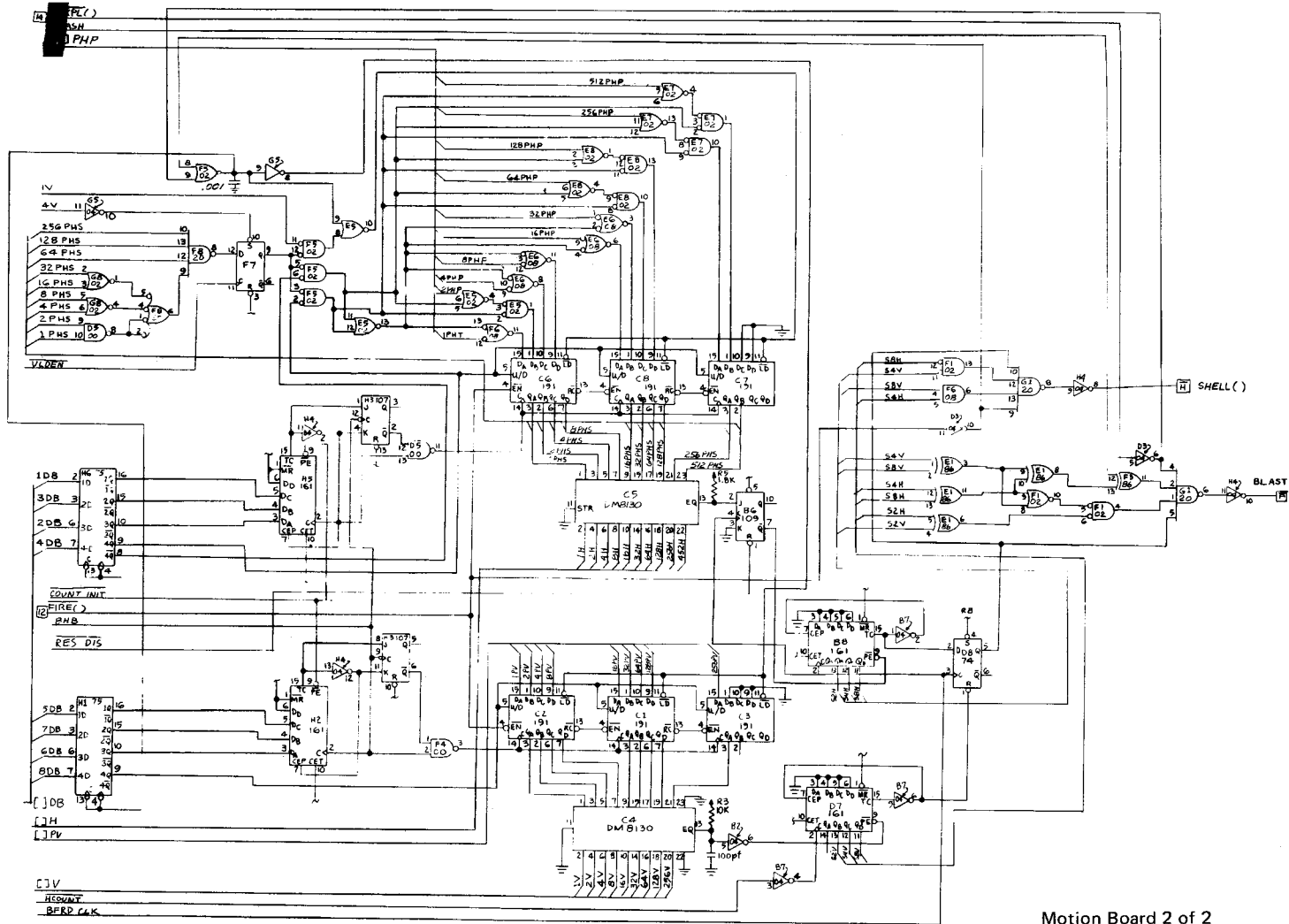
PART #	DESCRIPTION	UNIT PRICE
300-200	Power Supply	75.00
500-206	Mother Board	75.00
500-201	Motion Board	250.00
500-202	Synch Board	250.00
500-204	Memory Board	250.00
500-200	Set of PC Boards w/Cage	750.00
600-200	Control Panel	75.00
400-100	Coin Door Assembly	55.00
34-64581	P.S. Rectifier	10.29
36-LM309	P.S. Voltage Regulator	3.54
42-0019	19" Monitor, Motorola	295.00
41-5006	Speakers	5.70
46-0051	Switch, Cherry, E51	2.82
46-0903	Fire Button, Switch	1.59
47-0001	Coin Counter	9.72
82-0001	P.S. Transformer	42.75
35-14318	Crystal 14.318 MHZ	5.04
37-4024	4024 I.C.	6.69
32-2N6246	2N6246 Power Transistor	3.69

Minimum Order - \$25.00

SCHEMATICS



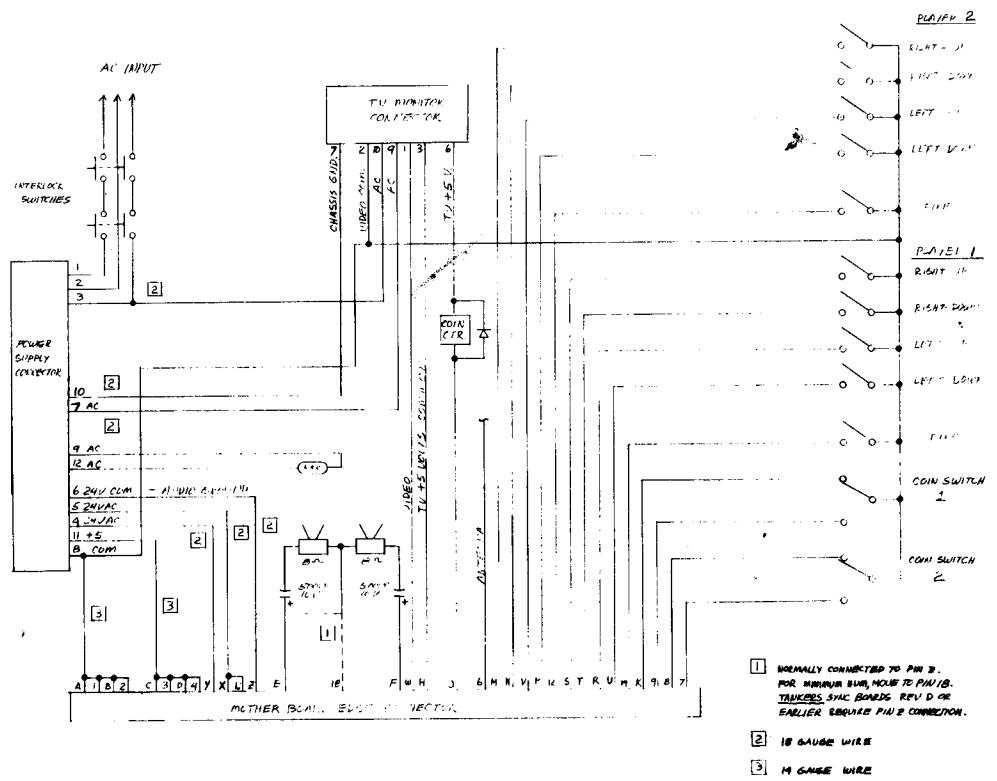
Motion Board 1 of 2



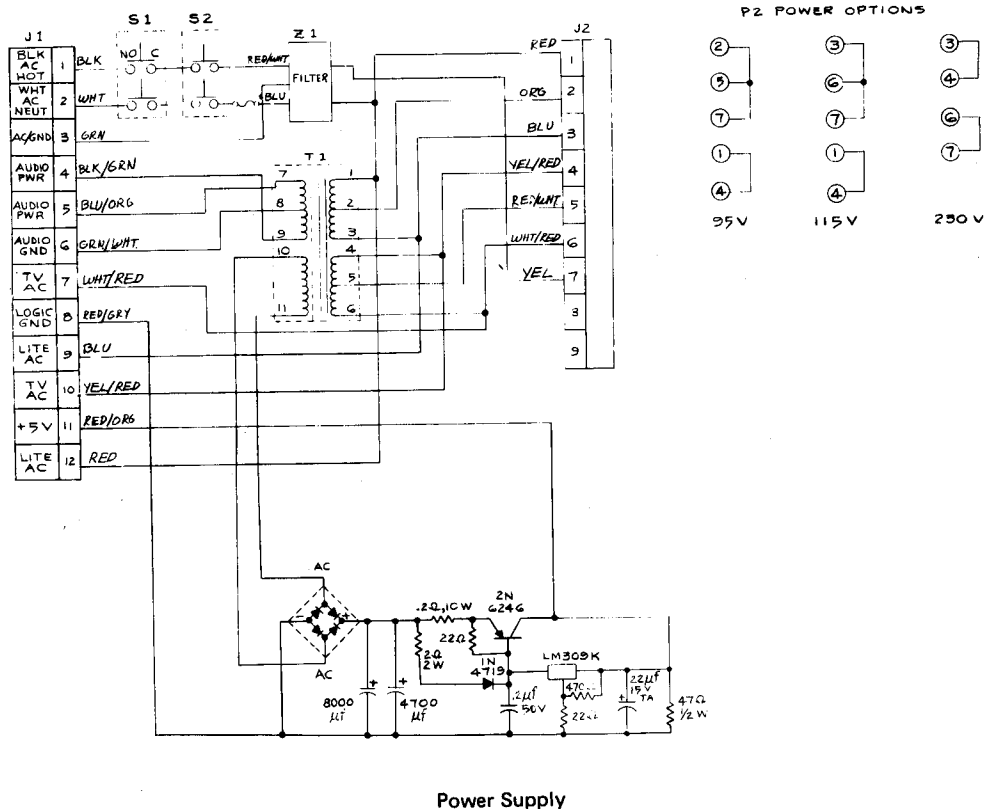
Motion Board 2 of 2

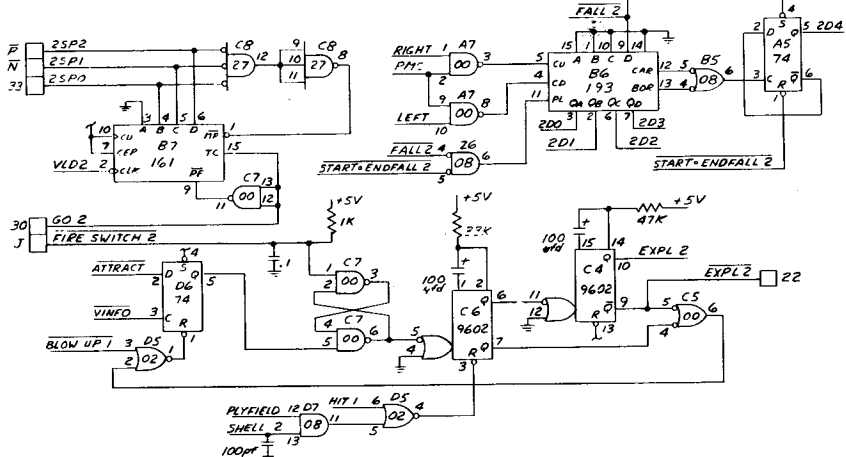
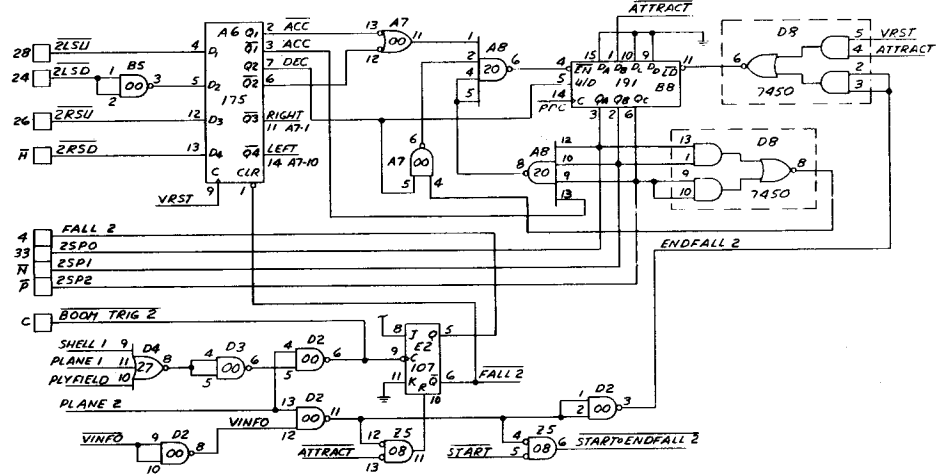
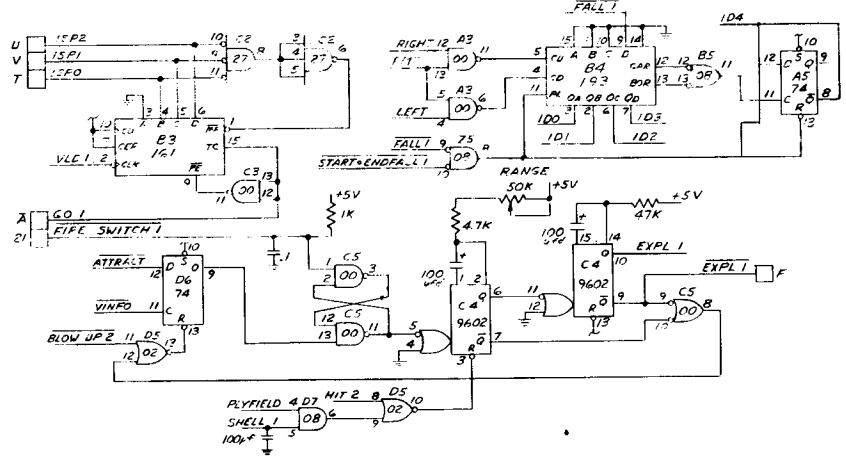
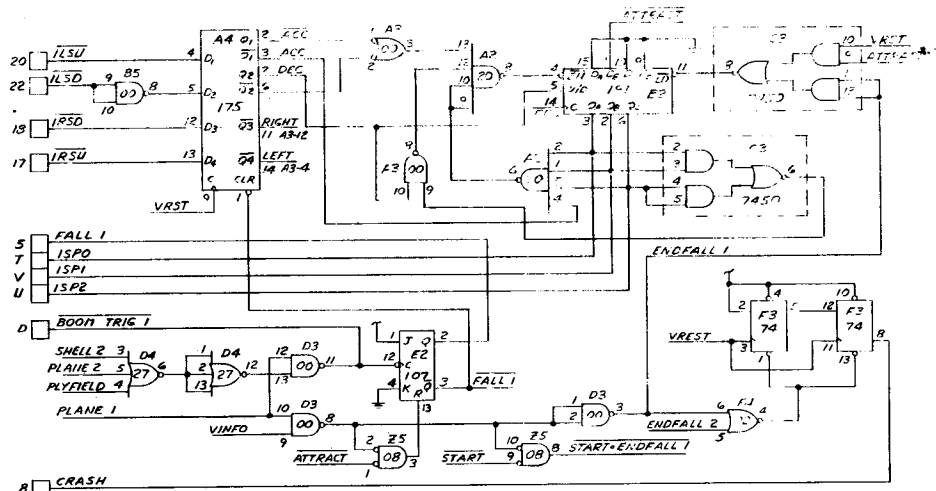
SCHEMATICS

SCHEMATICS



Cabinet Interconnections



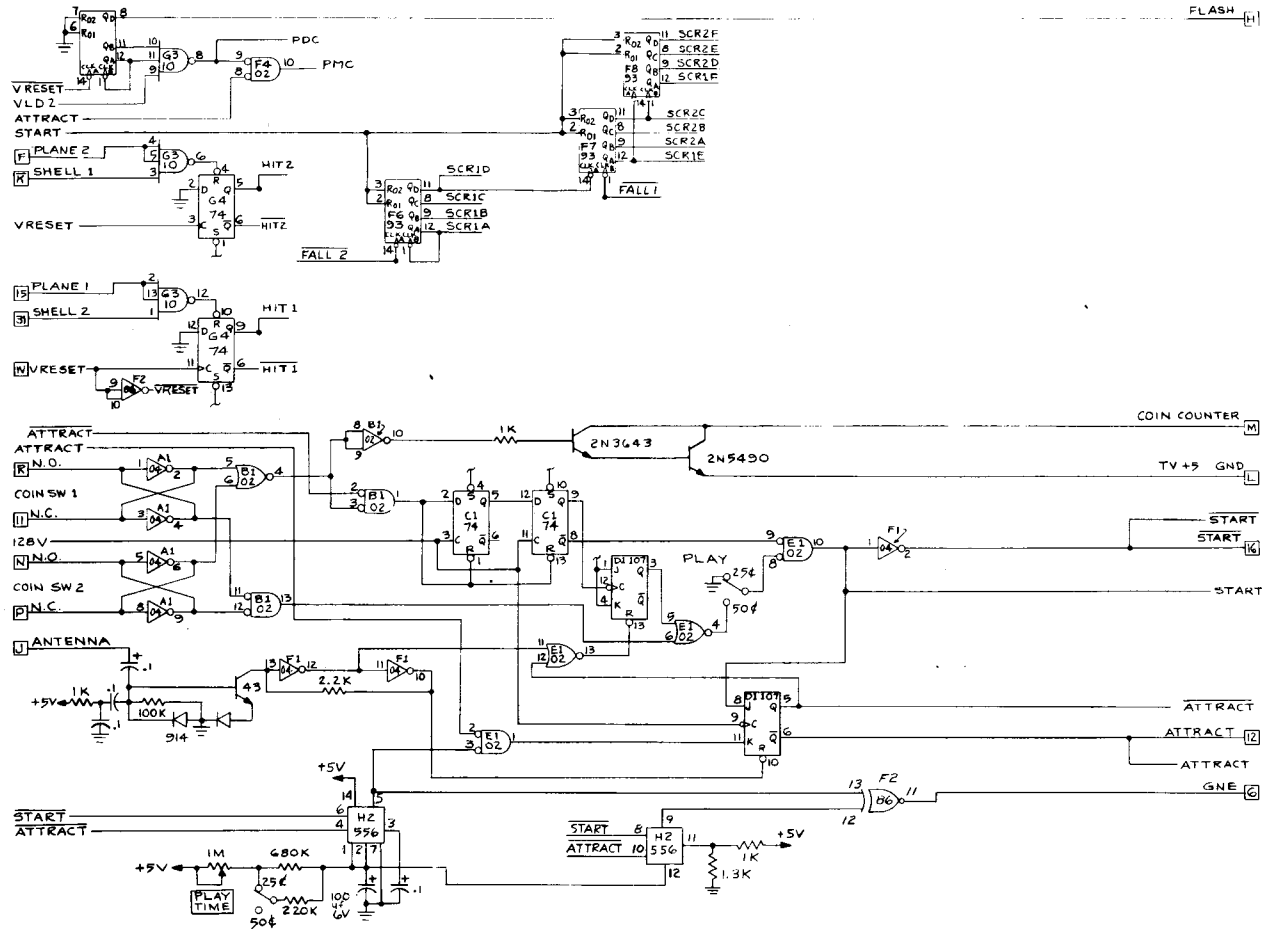


Memory Board 1 of 3

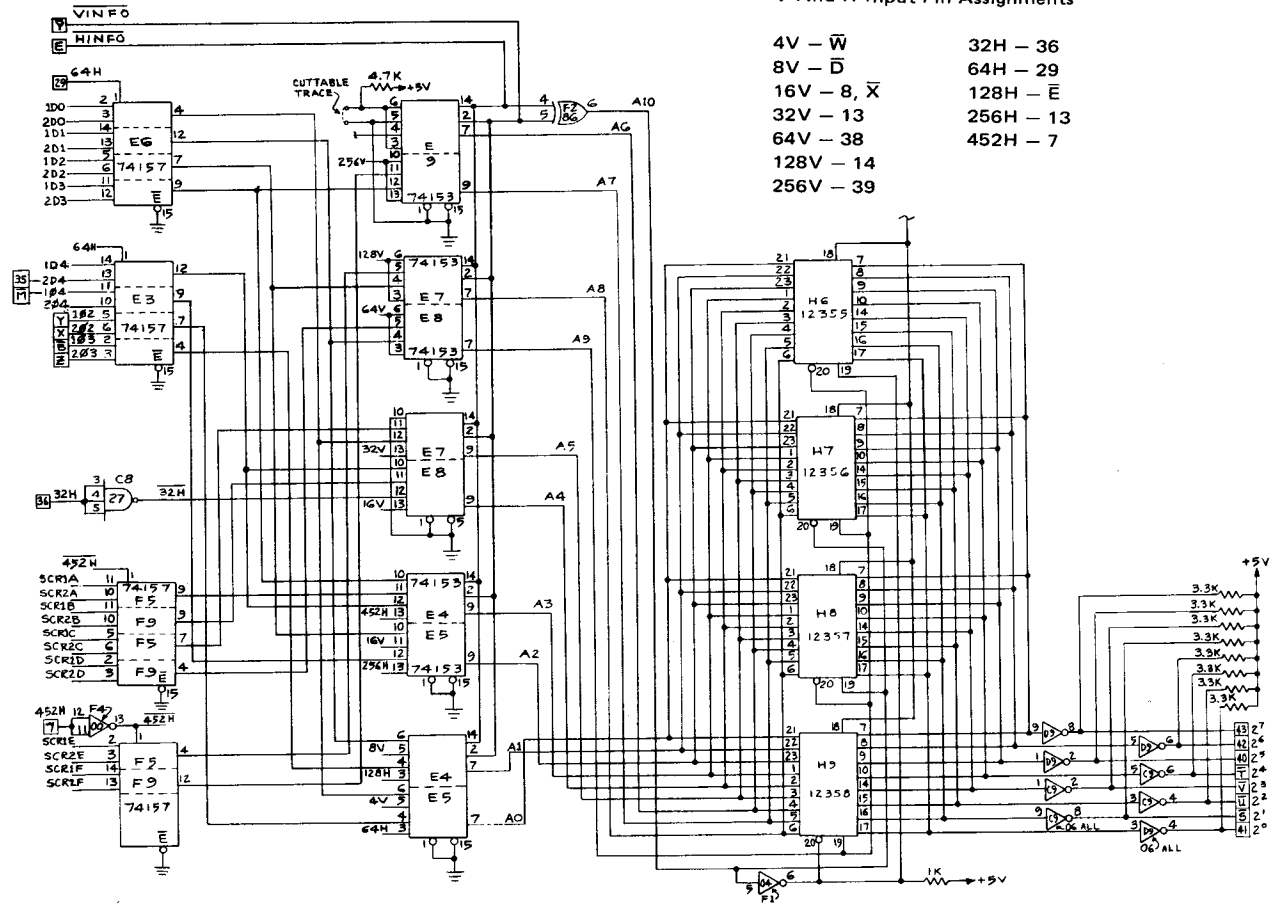
SCHEMATICS

SCHEMATICS

14



Memory Board 2 of 3

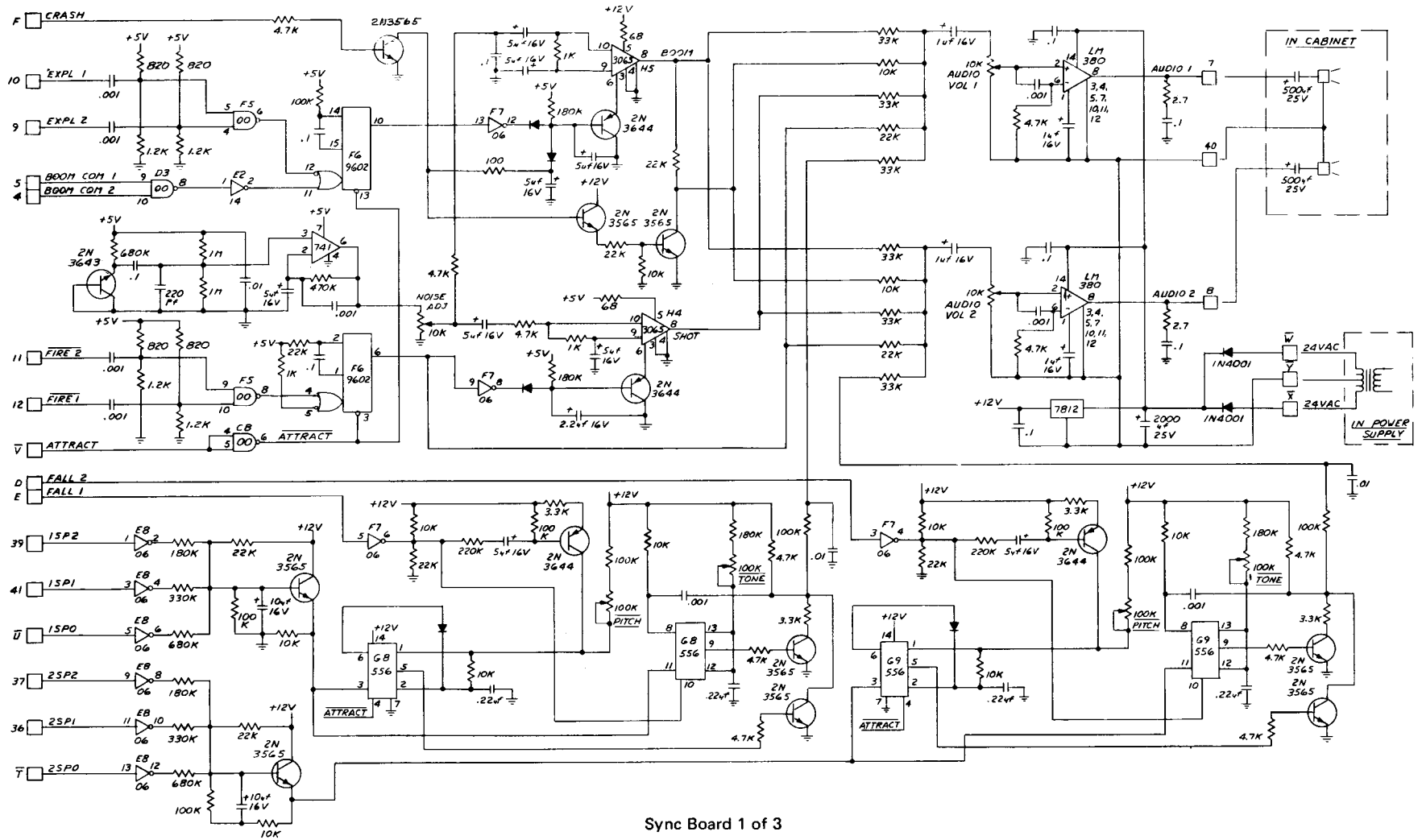


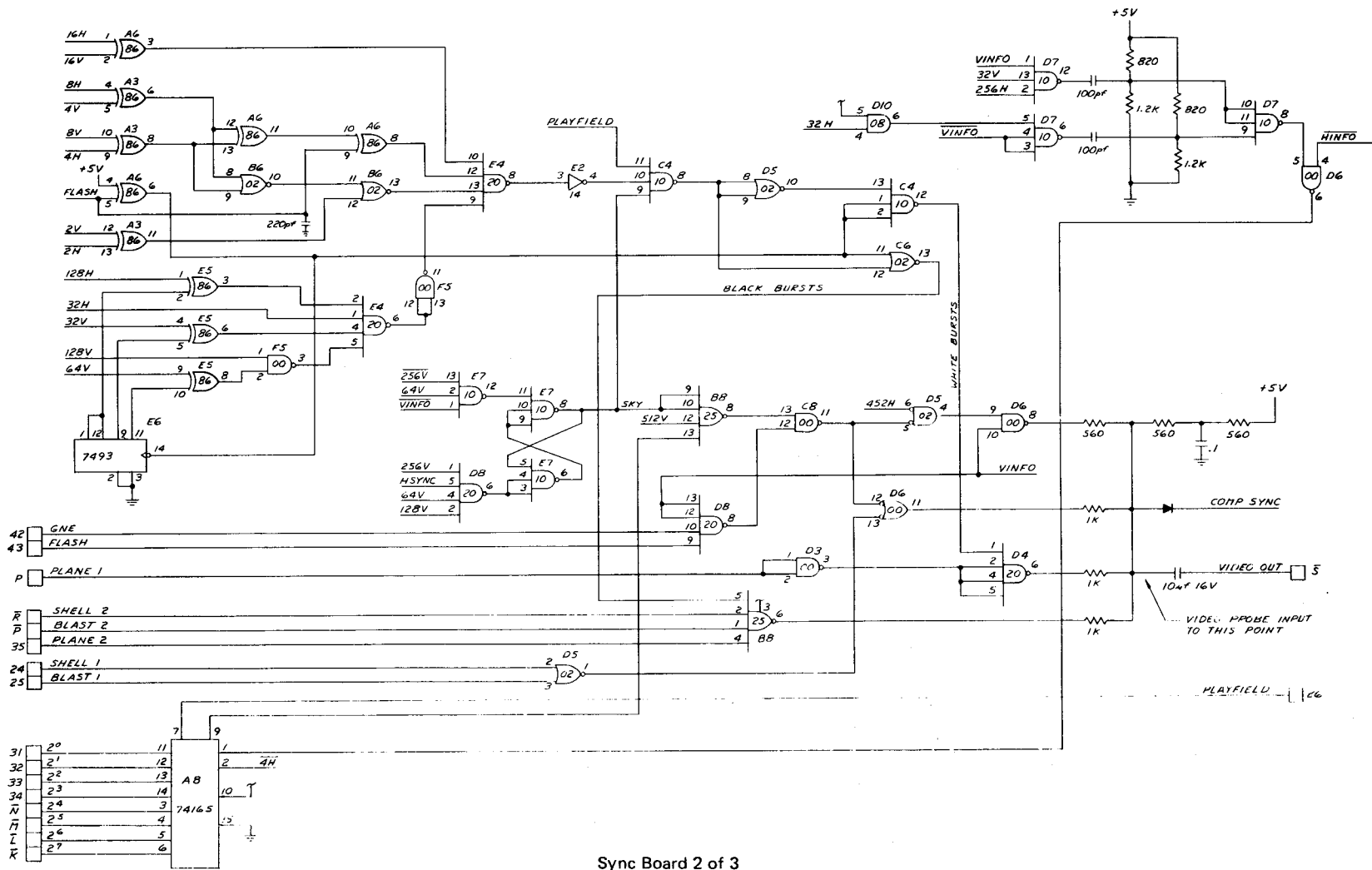
V And H Input Pin Assignments

- 4V - \bar{W}
- 8V - \bar{D}
- 16V - 8, \bar{X}
- 32V - 13
- 64V - 38
- 128V - 14
- 256V - 39
- 32H - 36
- 64H - 29
- 128H - E
- 256H - 13
- 452H - 7

Memory Board 3 of 3

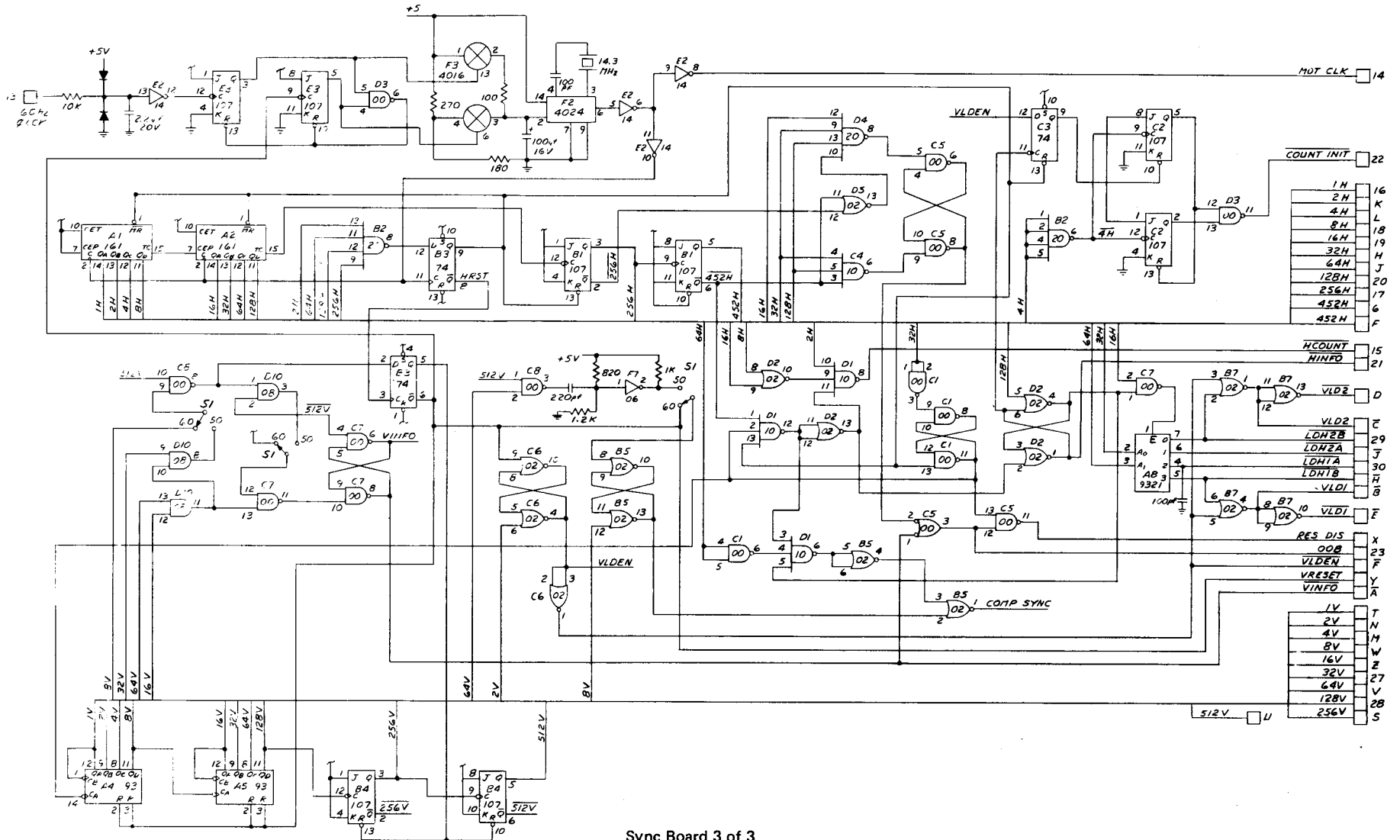
SCHEMATICS





SCHEMATICS

SCHEMATICS

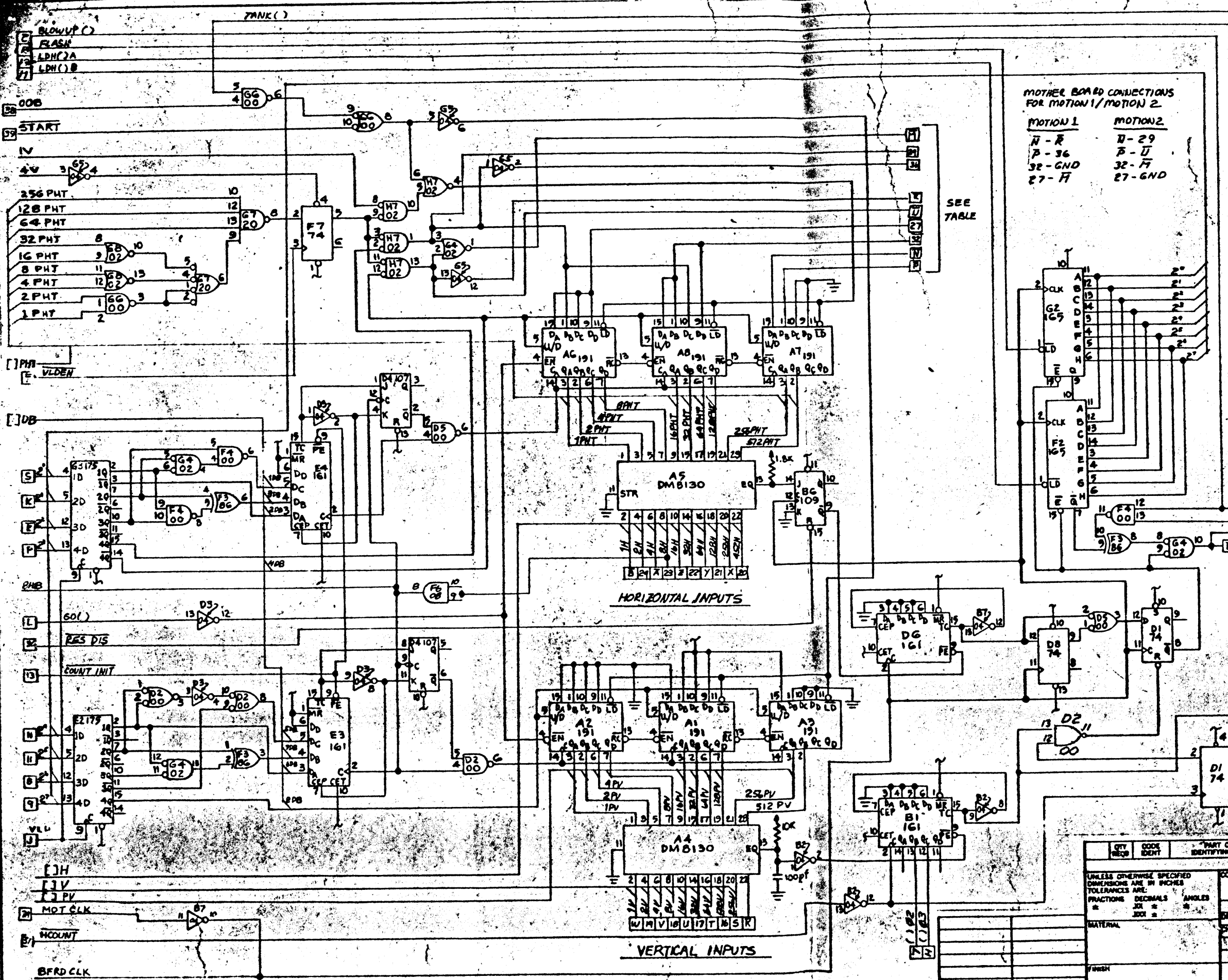


Sync Board 3 of 3

FUN GAMES INC.

8410 AMELIA ST., OAKLAND, CA 94621 (415) 568-5225

REVISIONS			
ZONE	LTR	DESCRIPTION	APPROVED



MOTHER BOARD CONNECTIONS
FOR MOTION 1/MOTION 2

MOTION 1	MOTION 2
N - R	U - 29
P - 36	V - U
32 - GND	32 - F
27 - F	27 - GND

SEE TABLE

SYMBOLS

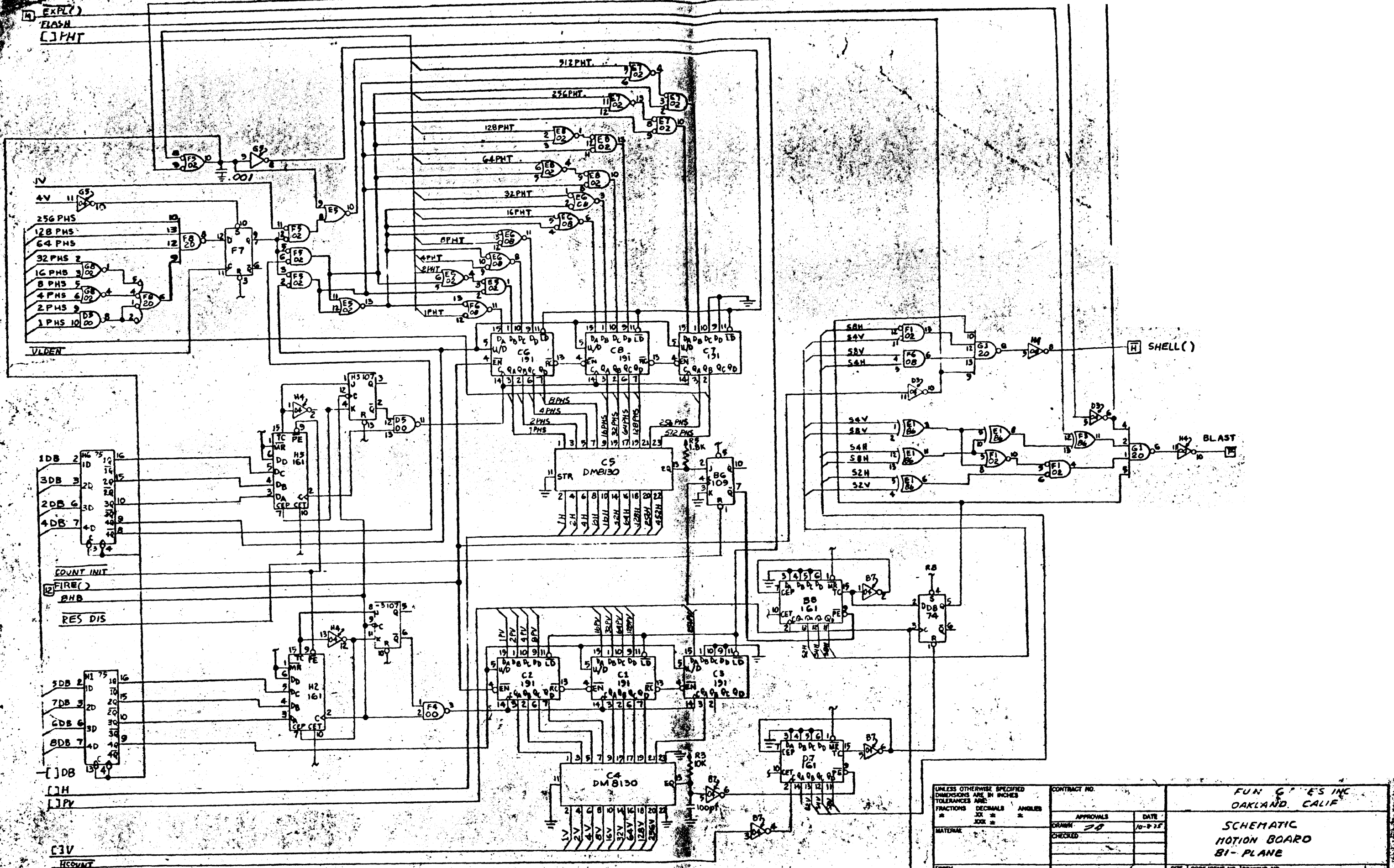
[INDICATES PULLUP TO +5 THRU 1K RES

↑ " +5

() " 1 FOR BOARD ONE
2 FOR BOARD TWO

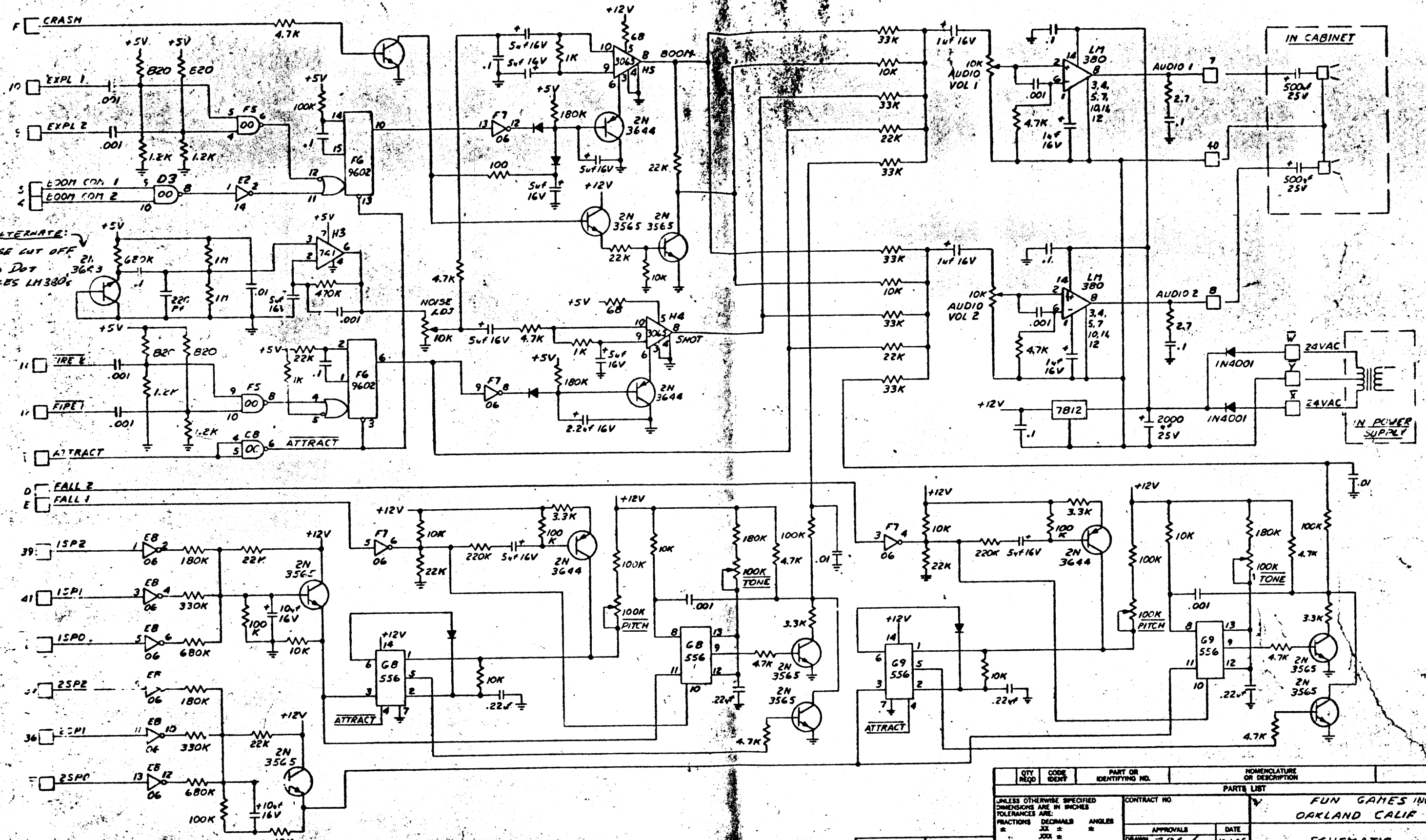
[] " ALL SIGNALS OF SIMILAR NAME

QTY REQD	CODE IDENT	PART OR IDENTIFYING NO.	NOMENCLATURE OR DESCRIPTION
UNLESS OTHERWISE SPECIFIED DIMENSIONS ARE IN INCHES TOLERANCES ARE FRACTIONS DECIMALS ANGLES			PARTS LIST
CONTRACT NO.			
APPROVALS			DATE
DRAWN			DATE
CHECKED			DATE
MATERIAL			
FINISH			
NEXT ASSY USED ON			
APPLICATION			
DO NOT SCALE DRAWING			
FUN GAMES INC OAKLAND CALIF			SCHEMATIC MOTION BOARD BI-PLANE
DATE			
SIZE CODE IDENT NO. DRAWING NO.			
D 201			A
SCALE			SHEET 1 OF 2



UNLESS OTHERWISE SPECIFIED DIMENSIONS ARE IN INCHES TOLERANCES ARE:		CONTRACT NO.		FUN G'S INC OAKLAND, CALIF	
FRACTIONS	DECIMALS	ANGLES	APPROVALS	DATE	
1/16	.001	1/2	20	10-1-75	
MATERIAL		CHECKED			
FRESH					
DO NOT SCALE DRAWING		SIZE	CODE IDENT NO.	DRAWING NO.	
		D		201	A
		SCALE			SHEET 2 OF 2

REVISIONS			
ZONE	LTR	DESCRIPTION	DATE



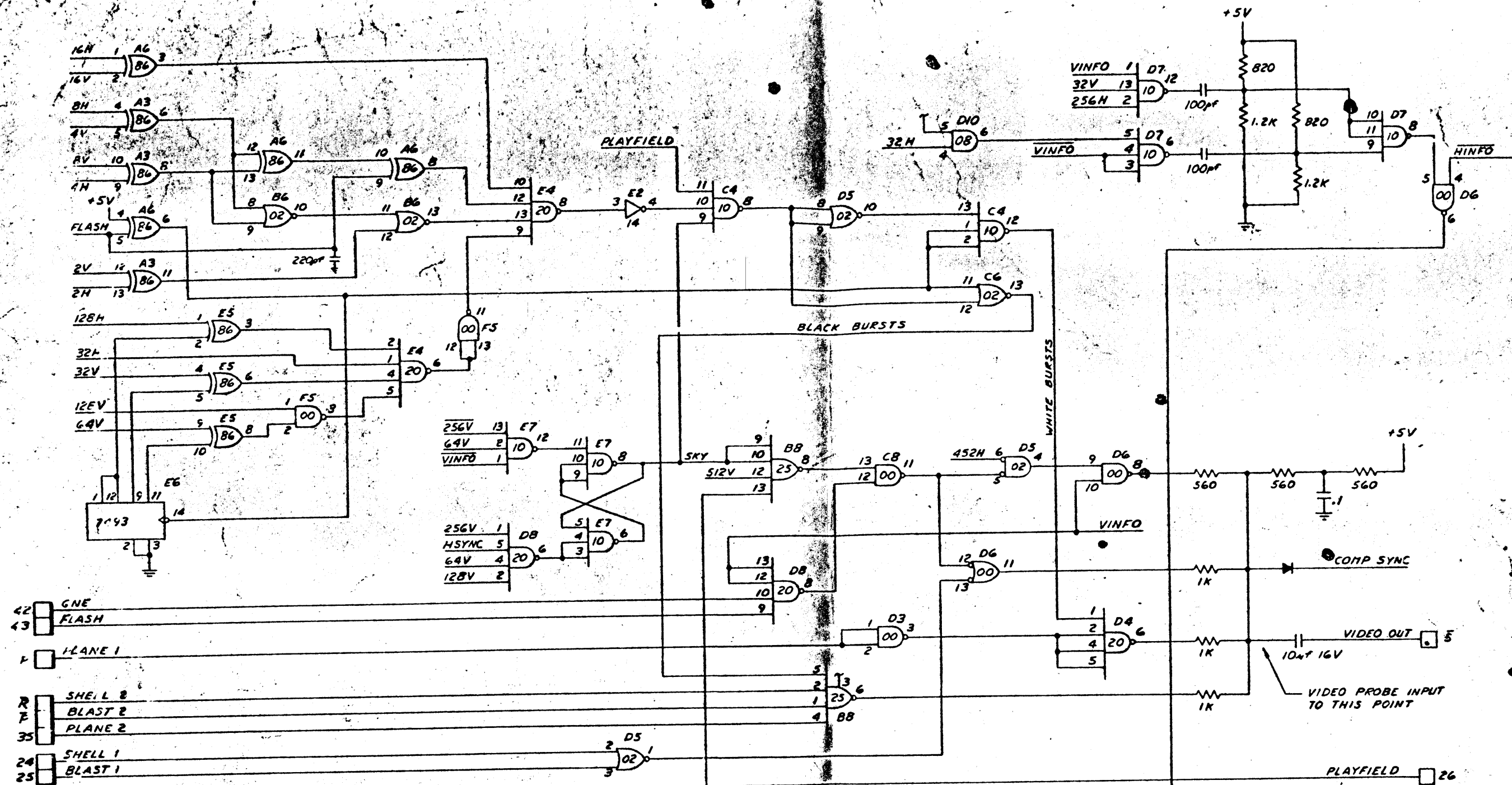
ALTERNATE:
BASE CUT OFF
RED DOT
FALES LM380s

2. ALL RESISTORS ARE IN OHMS
1/4 W, 5%, CC
1. ALL DIODES ARE IN914
NOTE: UNLESS OTHERWISE NOTED

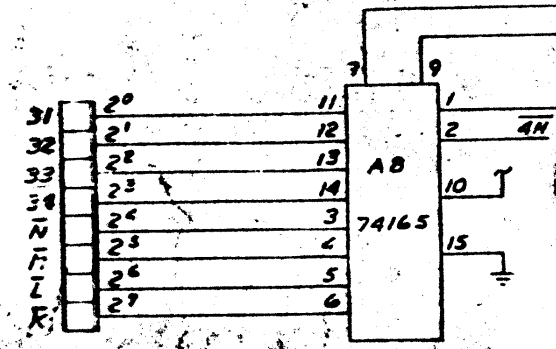
QTY REQD	CODE IDENT	PART OR IDENTIFYING NO.	NOMENCLATURE OR DESCRIPTION

UNLESS OTHERWISE SPECIFIED DIMENSIONS ARE IN INCHES TOLERANCES ARE: FRACTIONS DECIMALS ANGLES * .001 * .005 * *		CONTRACT NO.	
MATERIAL		APPROVALS	DATE
FINISH		CHECKED	
NEXT ASSY			
USED ON			
APPLICATION		DO NOT SCALE DRAWING	

PARTS LIST			
FUN GAMES INC OAKLAND CALIF			
SCHEMATIC SYNC BOARD BI-PLANE			
SIZE	CODE	IDDC NO.	DRAWING NO.
D			202
SCALE			SHEET 1 OF 3

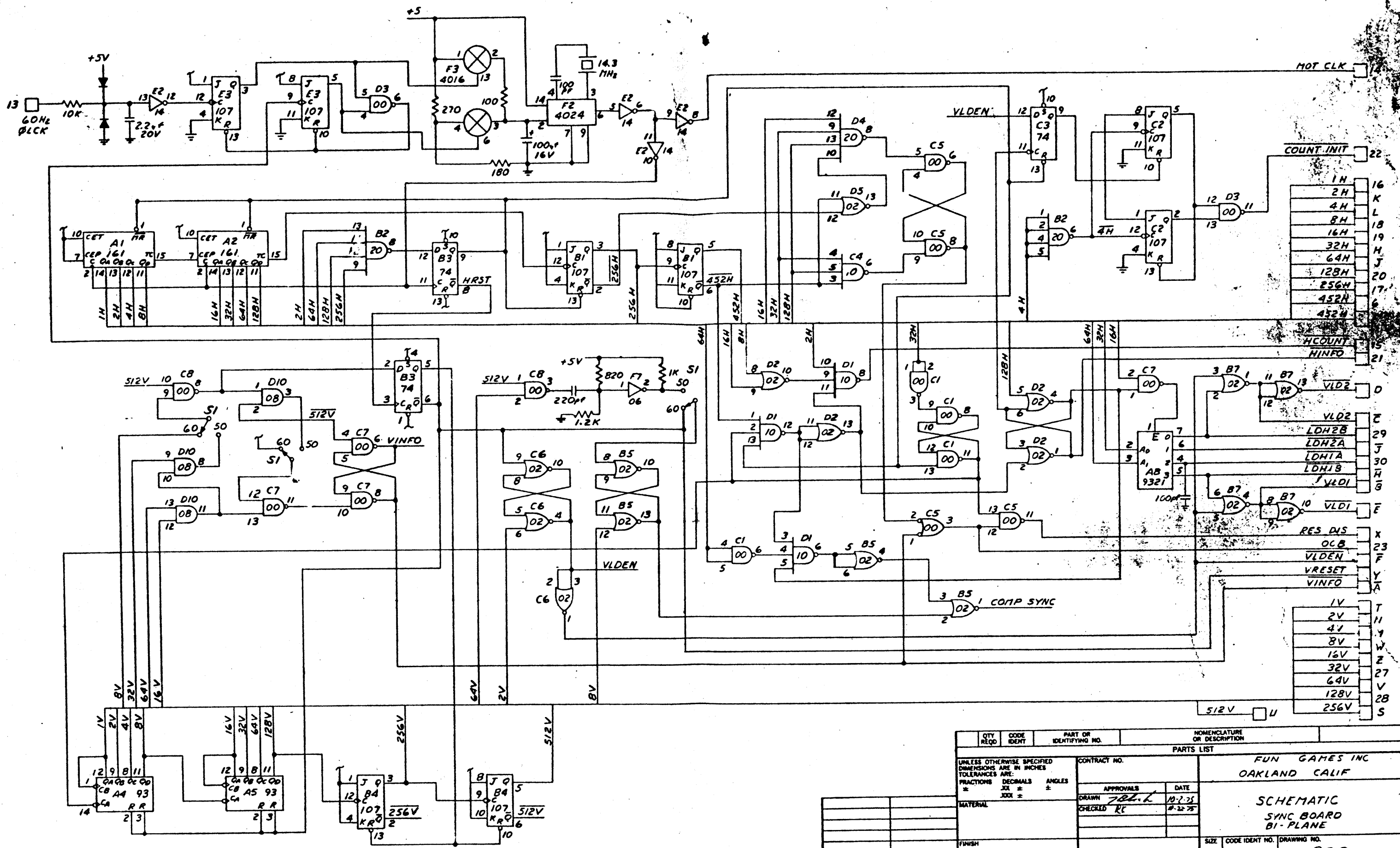


- 42 GNE
- 43 FLASH
- 1 PLANE 1
- R SHELL 2
- F BLAST 2
- 35 PLANE 2
- 24 SHELL 1
- 25 BLAST 1



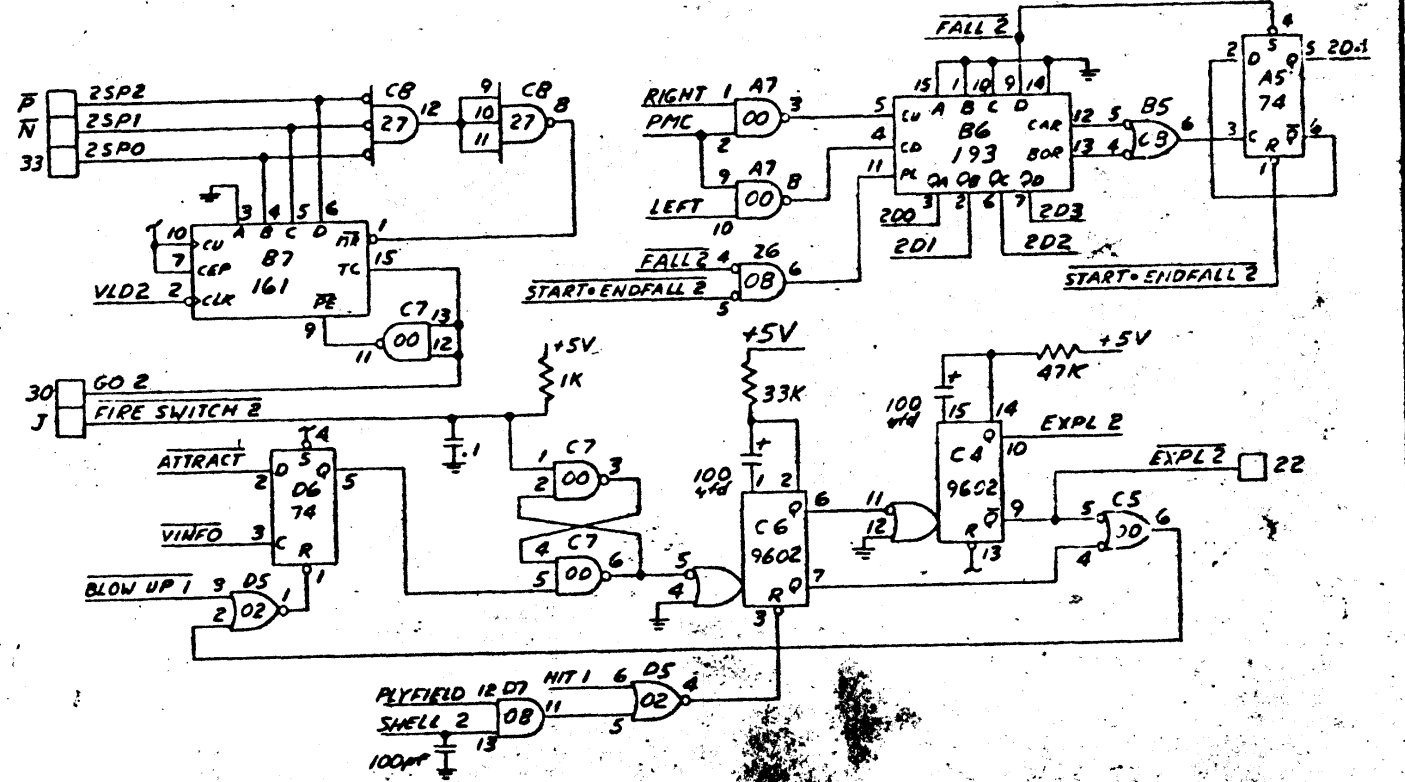
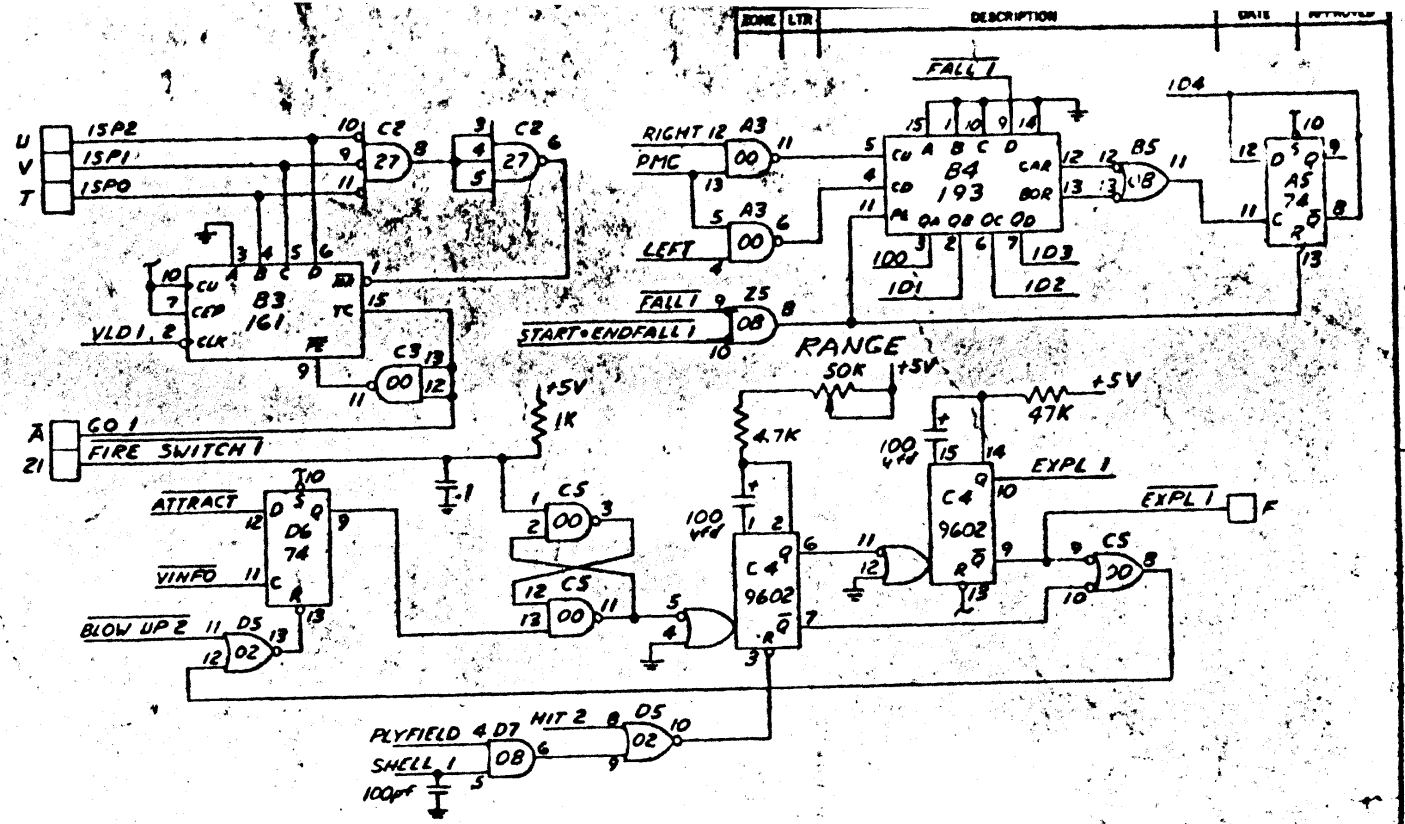
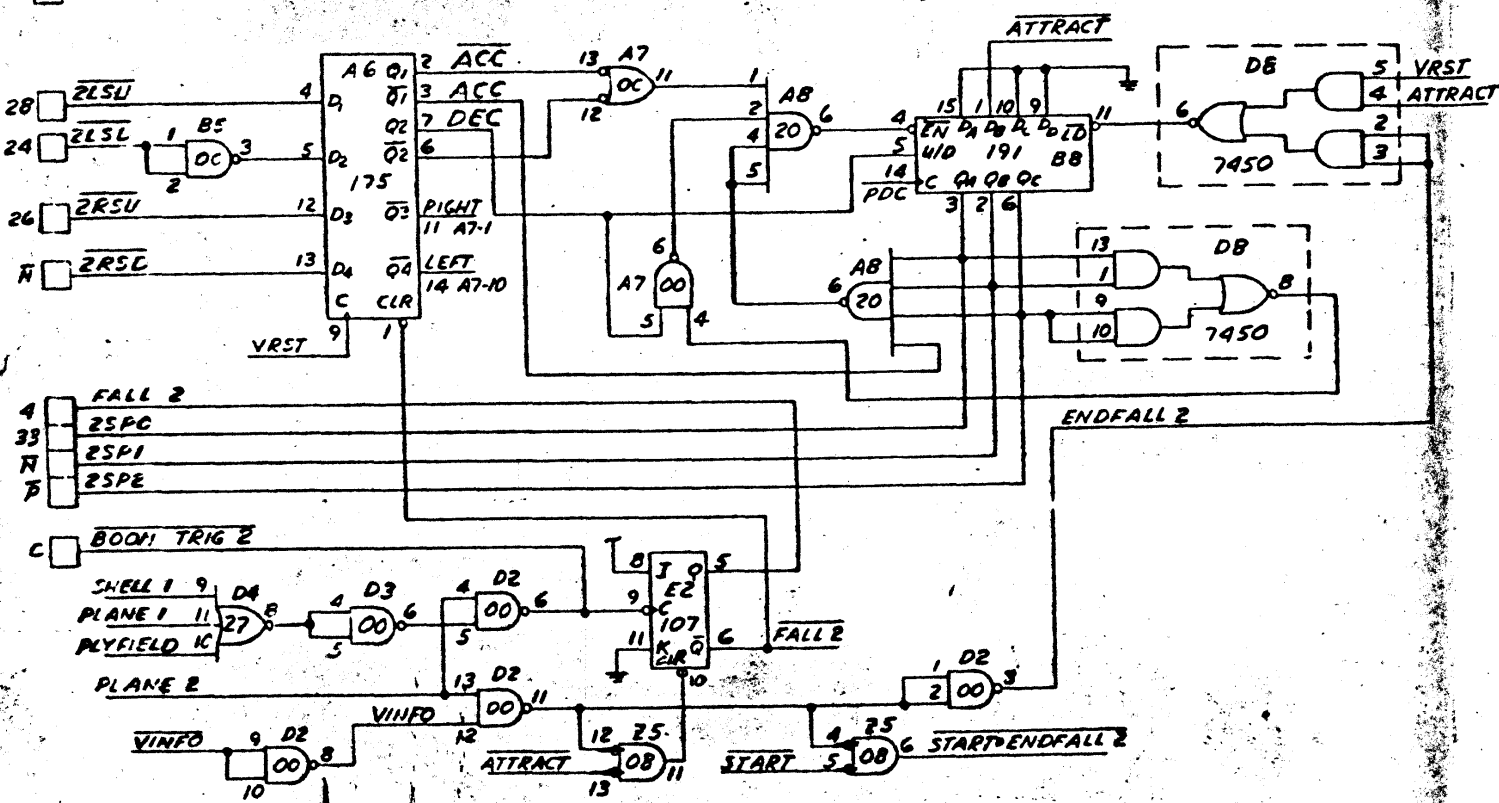
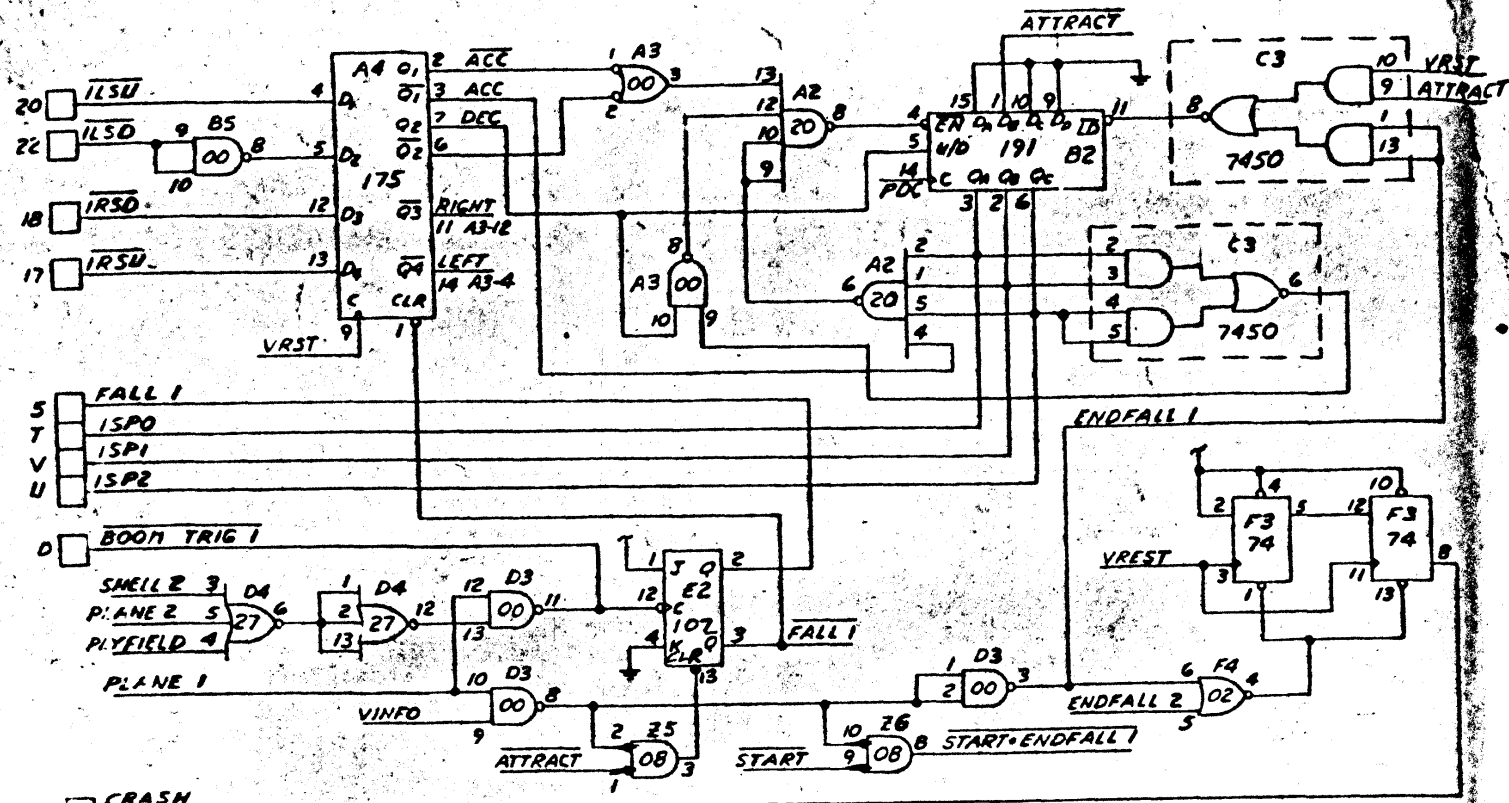
QTY REQD	CODE IDENT	PART OR IDENTIFYING NO.	NOMENCLATURE OR DESCRIPTION
PARTS LIST			
UNLESS OTHERWISE SPECIFIED DIMENSIONS ARE IN INCHES TOLERANCES ARE: FRACTIONS DECIMALS ANGLES		CONTRACT NO.	FUN GAMES INC OAKLAND CALIF
MATERIAL		APPROVALS	DATE
FINISH		DRAWN	9-29-75
PARTY KEPT		CHECKED	10-22-75
USED ON		SCALE	
APPLICATION		DO NOT SCALE DRAWING	
D. CODE IDENT NO. DRAWING NO.			202
SCALE			SHEET 2 OF 3

REVISIONS			
ZONE	LTR	DESCRIPTION	DATE

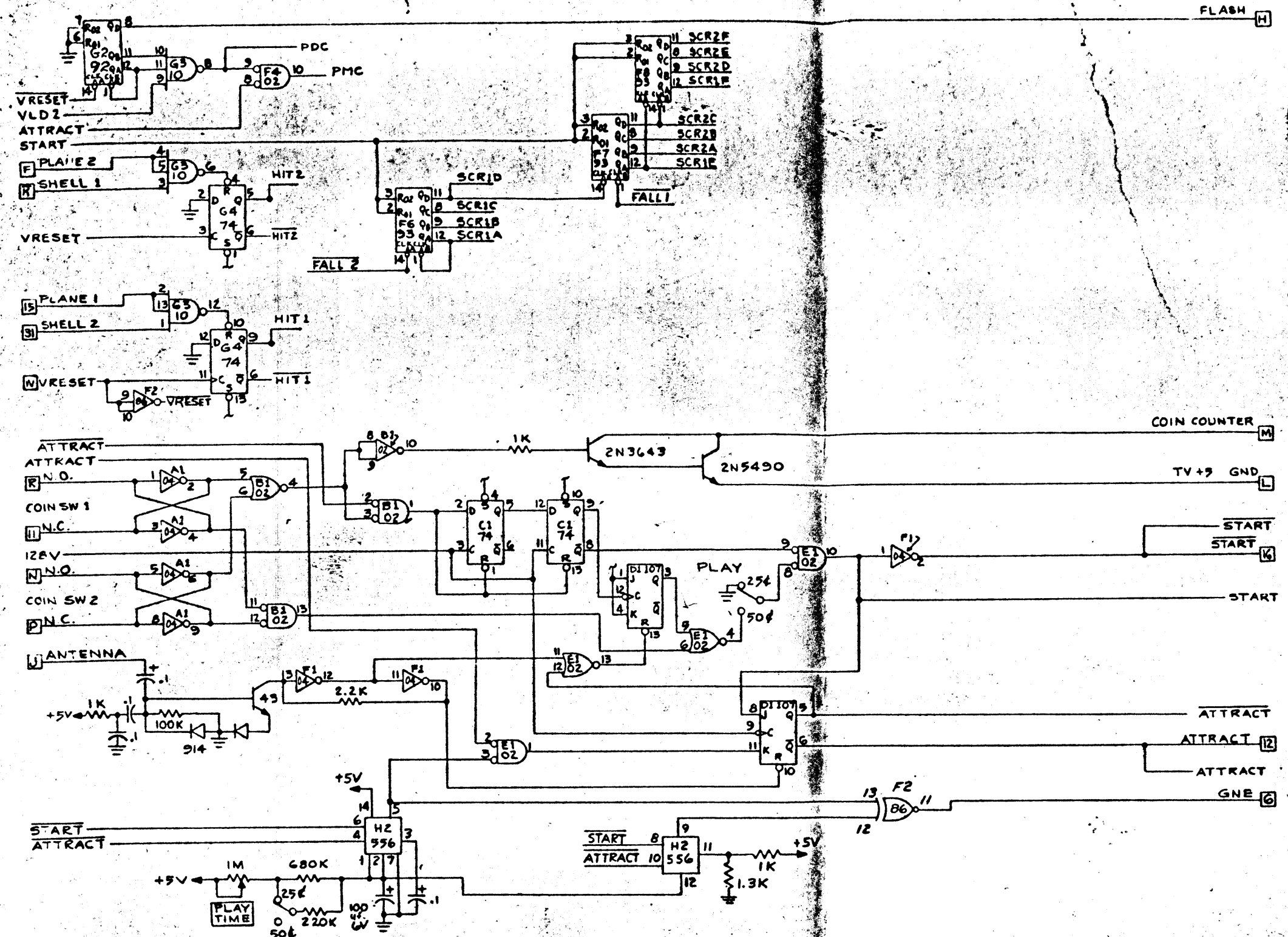


QTY REQD	CODE IDENT	PART OR IDENTIFYING NO.	NOMENCLATURE OR DESCRIPTION

PARTS LIST		FUN GAMES INC OAKLAND CALIF	
UNLESS OTHERWISE SPECIFIED DIMENSIONS ARE IN INCHES TOLERANCES ARE: FRACTIONS DECIMALS ANGLES * * *	CONTRACT NO.	APPROVALS	DATE
MATERIAL		DRAWN <i>RL</i>	10-2-75
		CHECKED <i>RE</i>	8-22-75
FINISH		SCHEMATIC SYNC BOARD BI-PLANE	
		SIZE	CODE IDENT NO. DRAWING NO.
NEXT ASSY	USED ON	D	202
APPLICATION	DO NOT SCALE DRAWING	SCALE	SHEET 3 OF 3

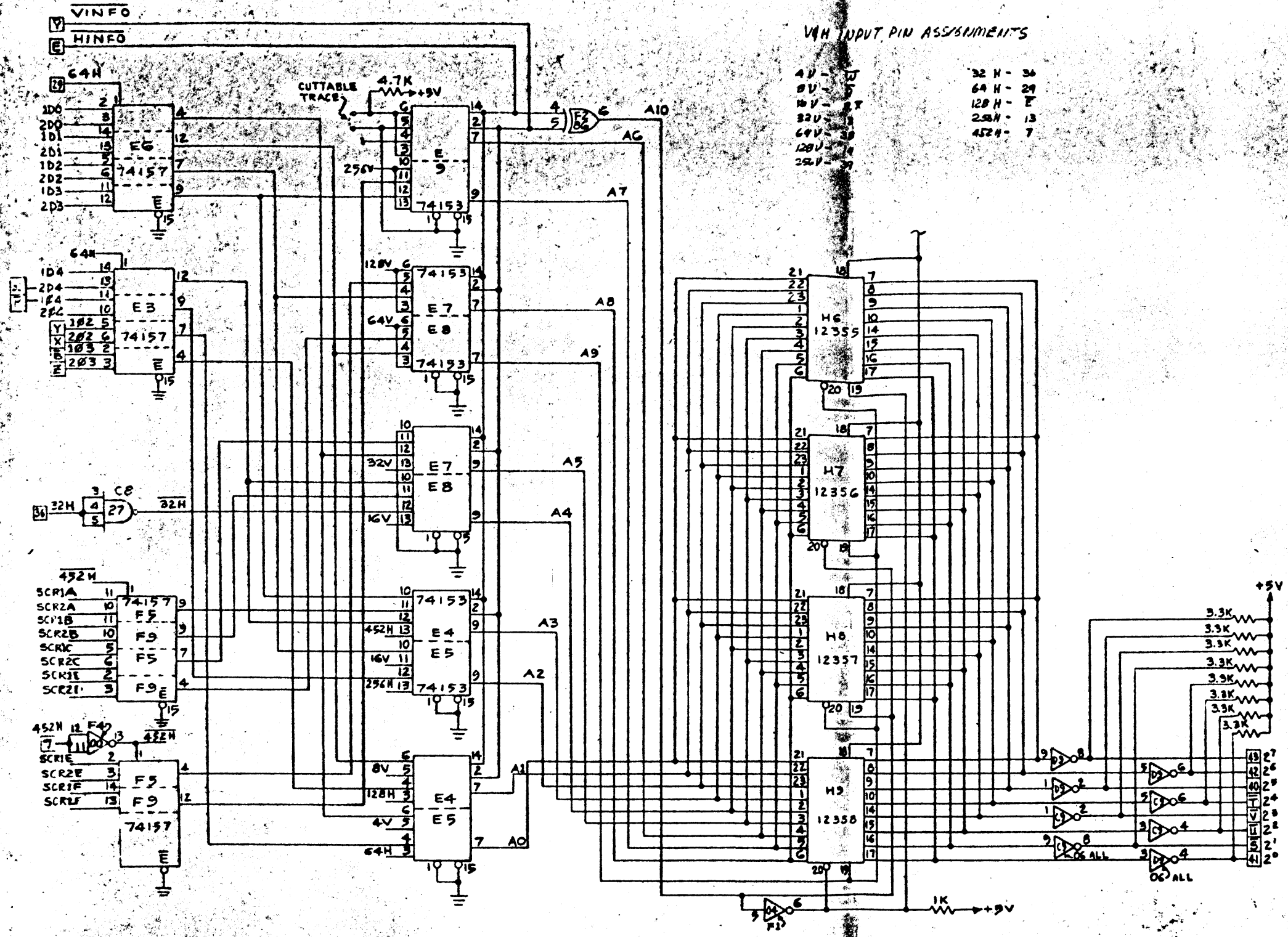


QTY REQD	CODE IDENT	PART OR IDENTIFYING NO.	NOMENCLATURE OR DESCRIPTION
PARTS LIST			
UNLESS OTHERWISE SPECIFIED DIMENSIONS ARE IN INCHES; TOLERANCES ARE: FRACTIONS DECIMALS ANGLES		CONTRACT NO.	FUN GAMES, INC. OAKLAND CALIF.
MATERIAL		APPROVALS	DATE
FINISH		DRAWN 78	10-8-75
NEXT ASSY		CHECKED [Signature]	10-22-75
USED ON		SCALE	D SIZE CODE IDENT NO. DRAWING NO.
APPLICATION		DO NOT SCALE DRAWING	D 204 A
			SHEET 1 OF 2



QTY REQD		CODE IDENT	PART OR IDENTIFYING NO.	NOMENCLATURE OR DESCRIPTION
PARTS LIST				
UNLESS OTHERWISE SPECIFIED DIMENSIONS ARE IN INCHES TOLERANCES ARE: FRACTIONS DECIMALS ANGLES				CONTRACT NO.
MATERIAL				
FINISH				FUN GAMES INC. OAKLAND CALIF. SCHEMATIC MEMORY BOARD BI-PLANE
NEXT ASBY USED ON				
APPLICATION				APPROVALS DRAWN: <i>[Signature]</i> CHECKED: <i>[Signature]</i>
DO NOT SCALE DRAWING			DATE: 10-2-75	SIZE: D CODE IDENT NO.: DRAWING NO.: 204 SHEET 2 OF 3

REVISIONS				
ZONE	LTR	DESCRIPTION	DATE	APPROVED



QTY REQD	CODE IDENT	PART OR IDENTIFYING NO.	NOMENCLATURE OR DESCRIPTION
PARTS LIST			
UNLESS OTHERWISE SPECIFIED DIMENSIONS ARE IN INCHES TOLERANCES ARE: FRACTIONS DECIMALS ANGLES		CONTRACT NO.	
MATERIAL		APPROVALS	DATE
FINISH		CHECKED <i>RE</i>	DATE <i>8-20-75</i>
NEXT ASSY		FUN GAMES INC OAKLAND CALIF	
USED ON		SCHEMATIC MEMORY BOARD BI-PLANE	
APPLICATION		SIZE	CODE IDENT NO. DRAWING NO.
DO NOT SCALE DRAWING		D	204
SCALE		SHEET 3 OF 3	