

This document has been downloaded from:



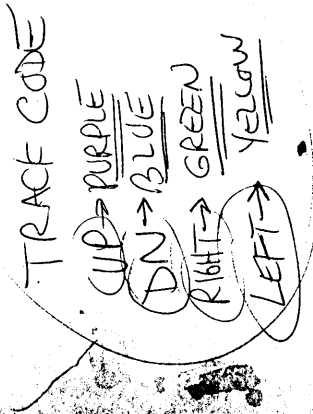
The largest resource for amusement machines
documentation on the world wide web!



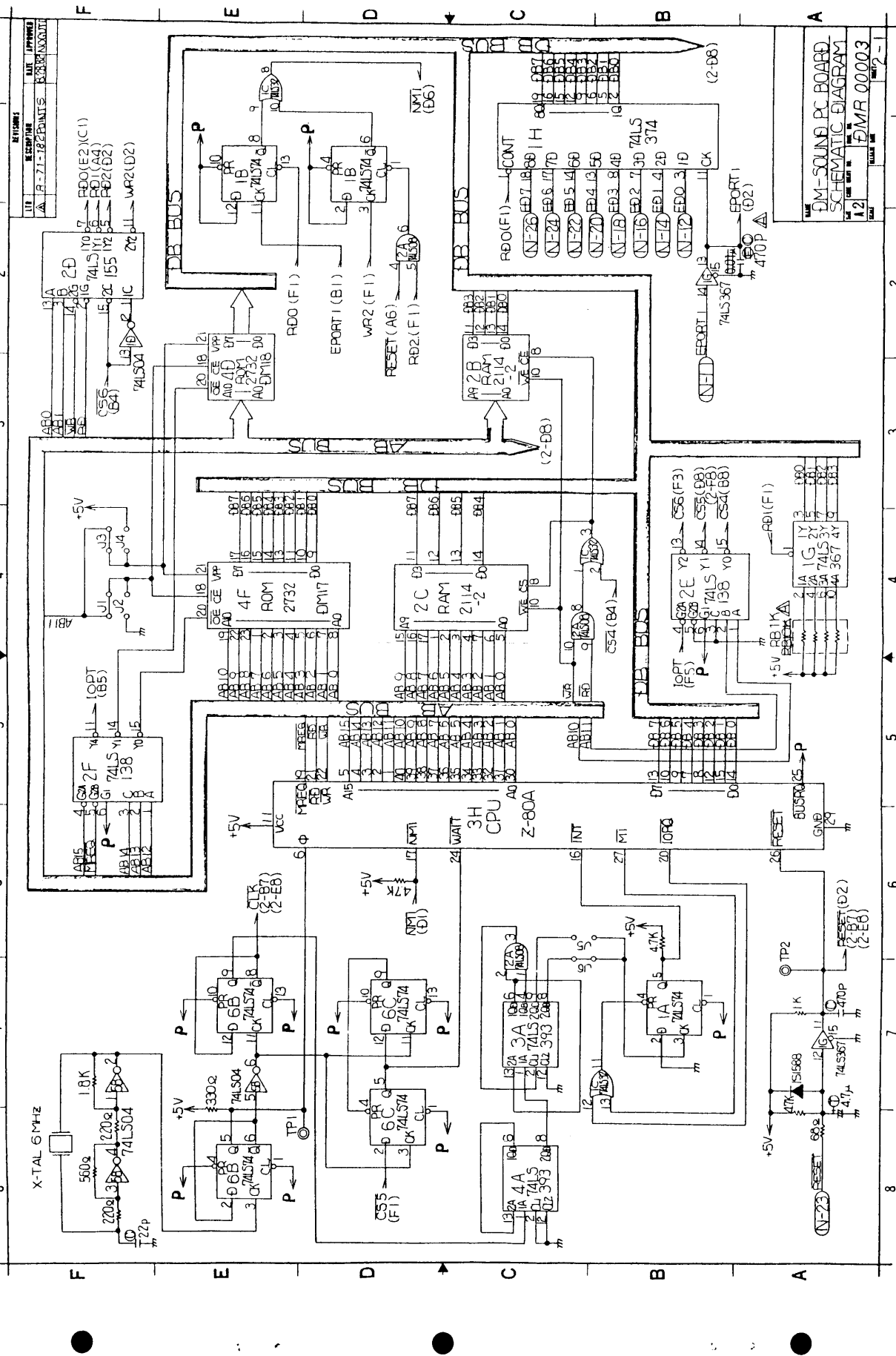
FLIPPERSPILL.COM

BIRDIE-KING II

Schematics and Wiring Diagrams



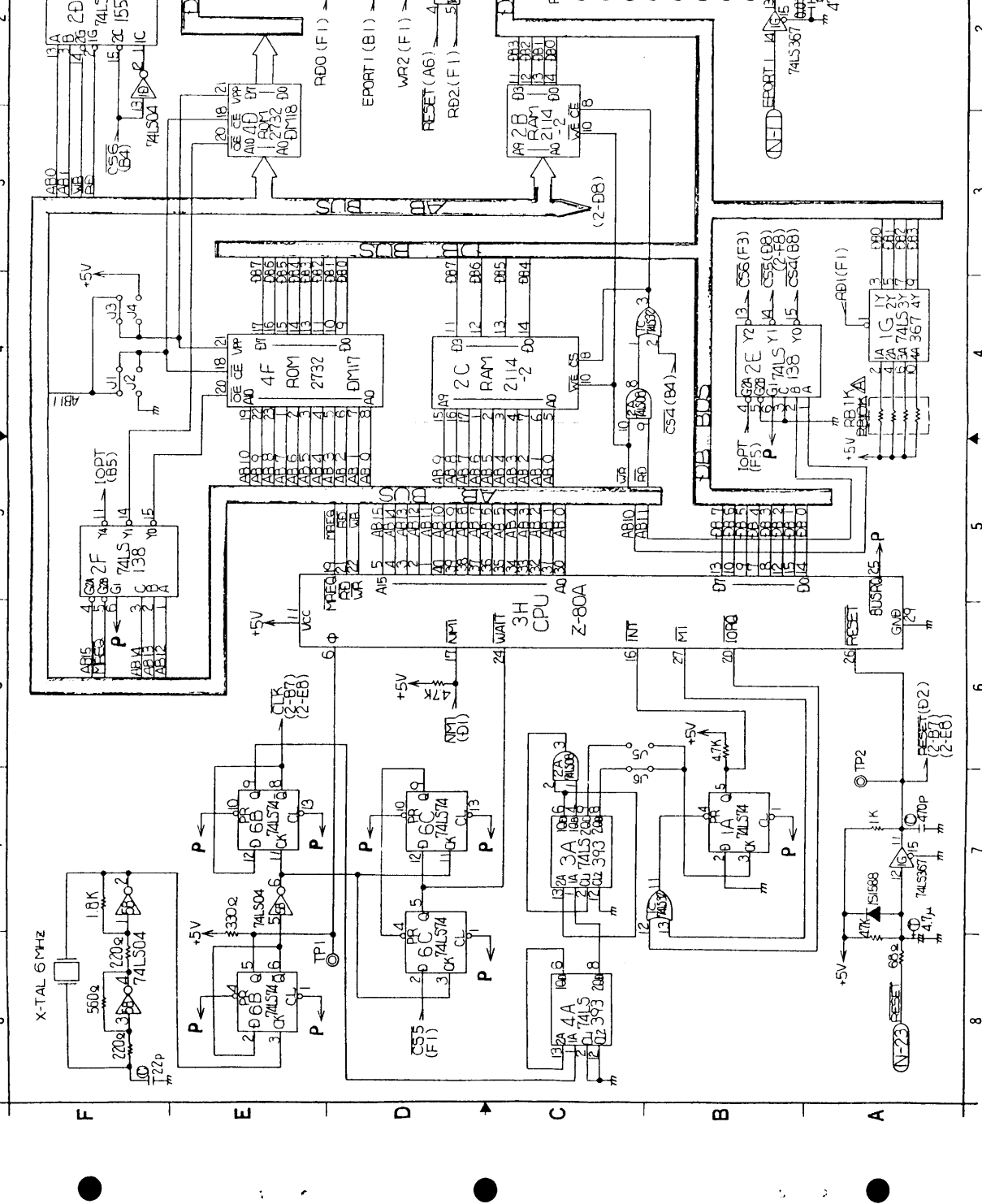
Distributed by:
MONROE Distributing Inc.
2999 Payne Avenue
Cleveland, Ohio 44114
Licensed by *Corn-It Co.*



REVISIONS

REV	DESCRIPTION	DATE	APPROVED
1	A - Z1 - 182 PRINTS	8/23/80	WAS

IBM
 IBM SOUND PC BOARD
 SCHEMATIC DIAGRAM
 PART NO. 4745 00003
 DATE 8/23/80



REVISIONS

REV	DESCRIPTION	DATE	APPROVED
1	A - Z1 - 182 PRINTS	8/23/80	WAS

IBM
 IBM SOUND PC BOARD
 SCHEMATIC DIAGRAM
 PART NO. 4745 00003
 DATE 8/23/80

18 PIN EDGE CONNECTOR

COMPONENT	SOLDER	
GROUND	1	A
	2	B
	3	C
	4	D
	5	E
	6	F
	7	H
	8	J
+12	9	K
	10	L
	11	M
+12	12	N
	13	P
	14	R
	15	S
	16	T
+5	17	U
+5	18	V

NOTE: Some wire colors may vary.

22 PIN EDGE CONNECTOR

COMPONENT	SOLDER	
GROUND	1	A
VIDEO	2	B
VIDEO	3	C
VIDEO SYNC	4	D
(SPEAKER) SOUND	5	E
	6	F
	7	H
COIN SWITCH	8	J
RETURN FROM 12 V. METER	9	K
	10	L
1 PLAYER START	11	M
UP	12	N
DOWN	13	P
RIGHT	14	R
LEFT	15	S
	16	T
	17	U
	18	V
	19	W
	20	X
	21	Y
	22	Z

NOTE: Some wire colors may vary.

Adjustments of DIP Switch
(Before adjusting, turn the power switch off.)

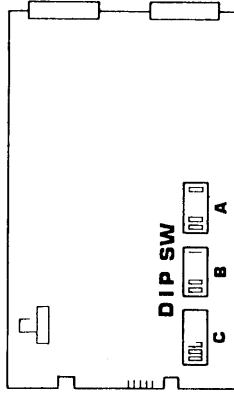


Figure 7

DIP Switch (A)

Setting	Position							
	1	2	3	4	5	6	7	8
* Par Play	0 Hole							
* Birdie	1 Hole							
* Eagle	2 Holes	ON						
* Double Eagle	4 Holes							
Par Play	1 Hole							
Birdie	2 Holes							
Eagle	3 Holes							
Double Eagle	4 Holes							
Hole in One	3 Holes	ON						
Hole in One	9 Holes	OFF						
Free Play	Free Play		ON					
	Normal		OFF					
Number of Holes Per Play	9			ON	ON			
	5			ON	OFF			
	4			OFF	ON			
Screen Inversion (Upright Type Machine Only)	3			OFF	OFF			
						ON		
Game Style	Upright							ON
	Table							OFF

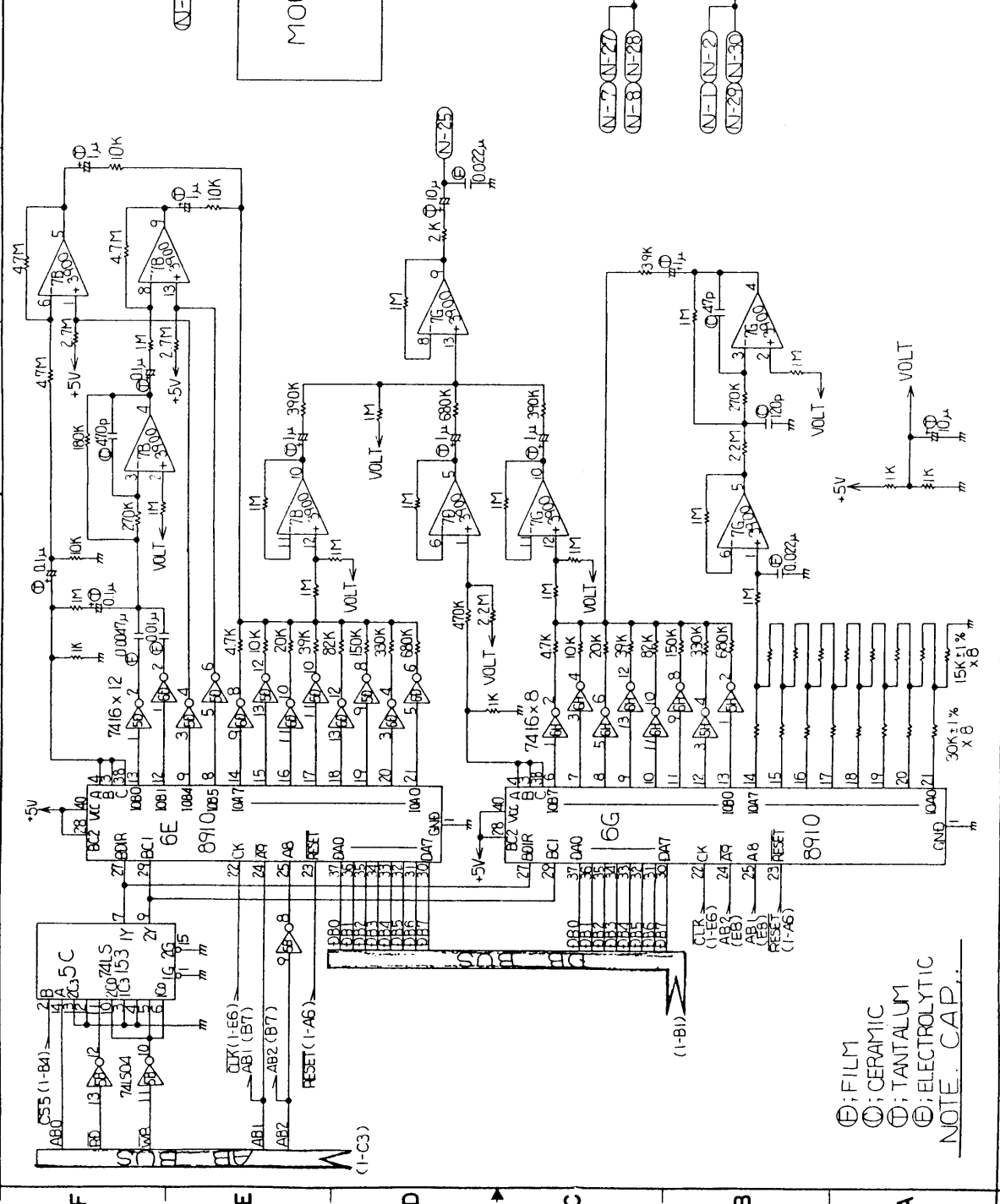
Factory Adjustment: *

Setting	Position	1 WAY (LEFT)				2 WAY (RIGHT)			
		1	2	3	4	5	6	7	8
* 1 Coin - 1 Play		ON	ON	ON	ON	ON	ON	ON	ON
1 Coin - 2 Plays		OFF							
1 Coin - 3 Plays		ON	OFF			ON	OFF		
1 Coin - 4 Plays		OFF							
1 Coin - 5 Plays		ON	ON	OFF	OFF	ON	ON	OFF	
1 Coin - 6 Plays		OFF							
1 Coin - 7 Plays		ON	OFF			ON	OFF		
1 Coin - 8 Plays		OFF							
2 Coins - 1 Play		ON	ON	ON	OFF	ON	ON	ON	
3 Coins - 1 Play		OFF							
4 Coins - 1 Play		ON	OFF			ON	OFF		
5 Coins - 1 Play		OFF							
6 Coins - 1 Play		ON	ON	OFF	OFF	ON	ON	OFF	
7 Coins - 1 Play		OFF							
8 Coins - 1 Play		ON	OFF			ON	OFF		
9 Coins - 1 Play		OFF							

Setting		Position		1	2	3	4	5	6	7	8					
Appearance of Crow *	Without			ON												
	With			OFF												
The hole from which a crow appears and flies with drawing a circle or a 8-shape in the air. *	Circle 1,7,11,15,18 8-shape 3,5,9,13,17				ON	ON						OFF				
	Circle 4,7,13,18 8-shape 1,10,16,17				ON	OFF										
	Circle 1,10,16,18 8-shape 4,7,13,17				OFF	ON										
	Circle 3,5,9,13,18 8-shape 1,7,11,15,17				OFF	OFF										
Coin Display *	No Display							ON								
	Display							OFF								
Year Display *	No Display									ON						
	Display									OFF						
Check *	Check									ON						
	Normal									OFF						
Coin System *	1 Way									ON						
	2 Way									OFF						

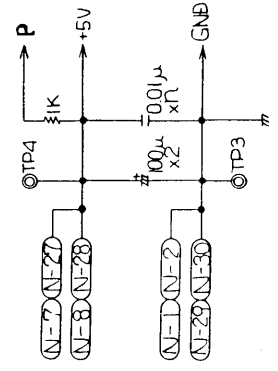
. Factory Adjustment: *

REV	DESCRIPTION	DATE	APPROVED



⊕; FILM
 ⊙; CERAMIC
 ⊕; TANTALUM
 ⊕; ELECTROLYTIC
 NOTE: CAP.

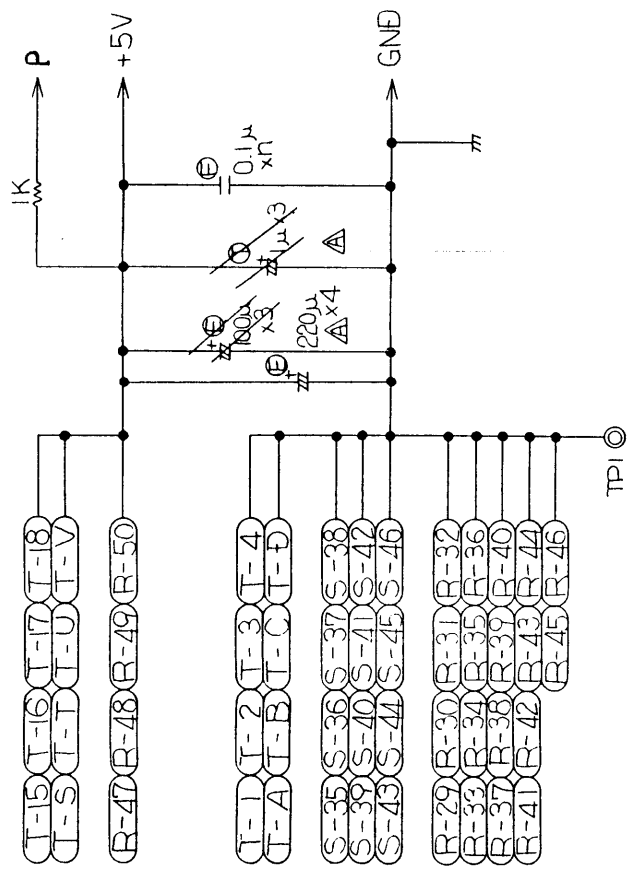
DM-SOUND PC BOARD
 SCHEMATIC DIAGRAM
 12
 DMR 00003
 2-2



F
 E
 D
 C
 B
 A

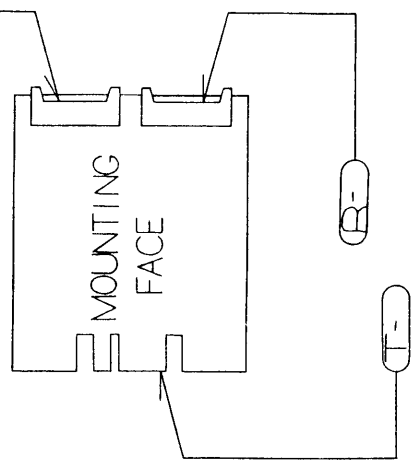
1 2 3 4 5 6 7 8

REVISIONS		
CTR	DESCRIPTION	DATE APPROVED
A	2 POINT S-71-15	17-8882
		10060041



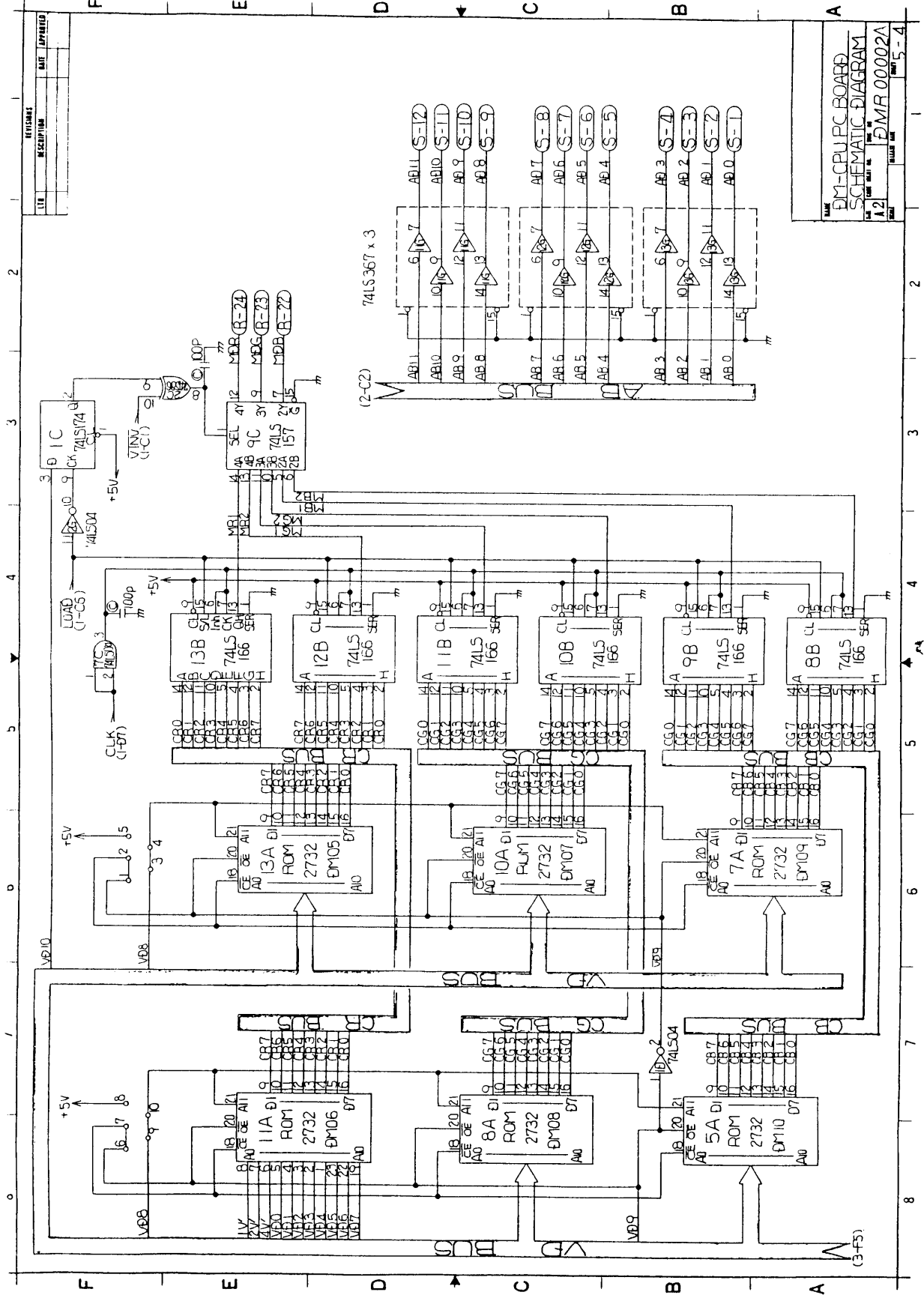
- ⊖ ; ELECTROLYTIC
- Ⓣ ; TANTALUM
- ⓔ ; FILM
- Ⓢ ; CERAMIC

NOTE. CAP.

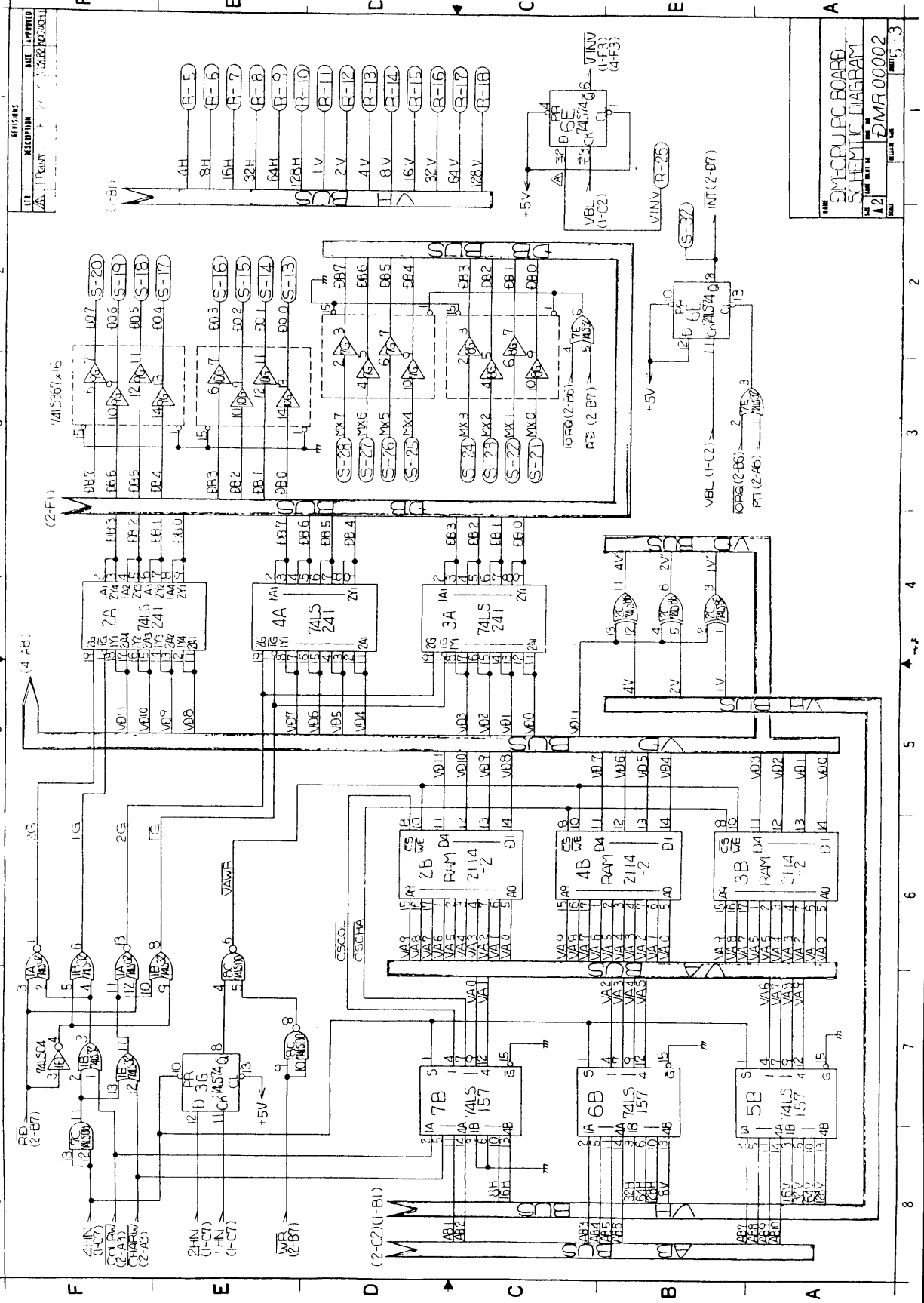


NAME	EM-CPU PC BOARD		
SIZE	FORM NO.	REV. NO.	DATE
A 3		DMR 00002	5-5
SCALE	RELEASE DATE		

REV	DESCRIPTION	DATE APPROVED



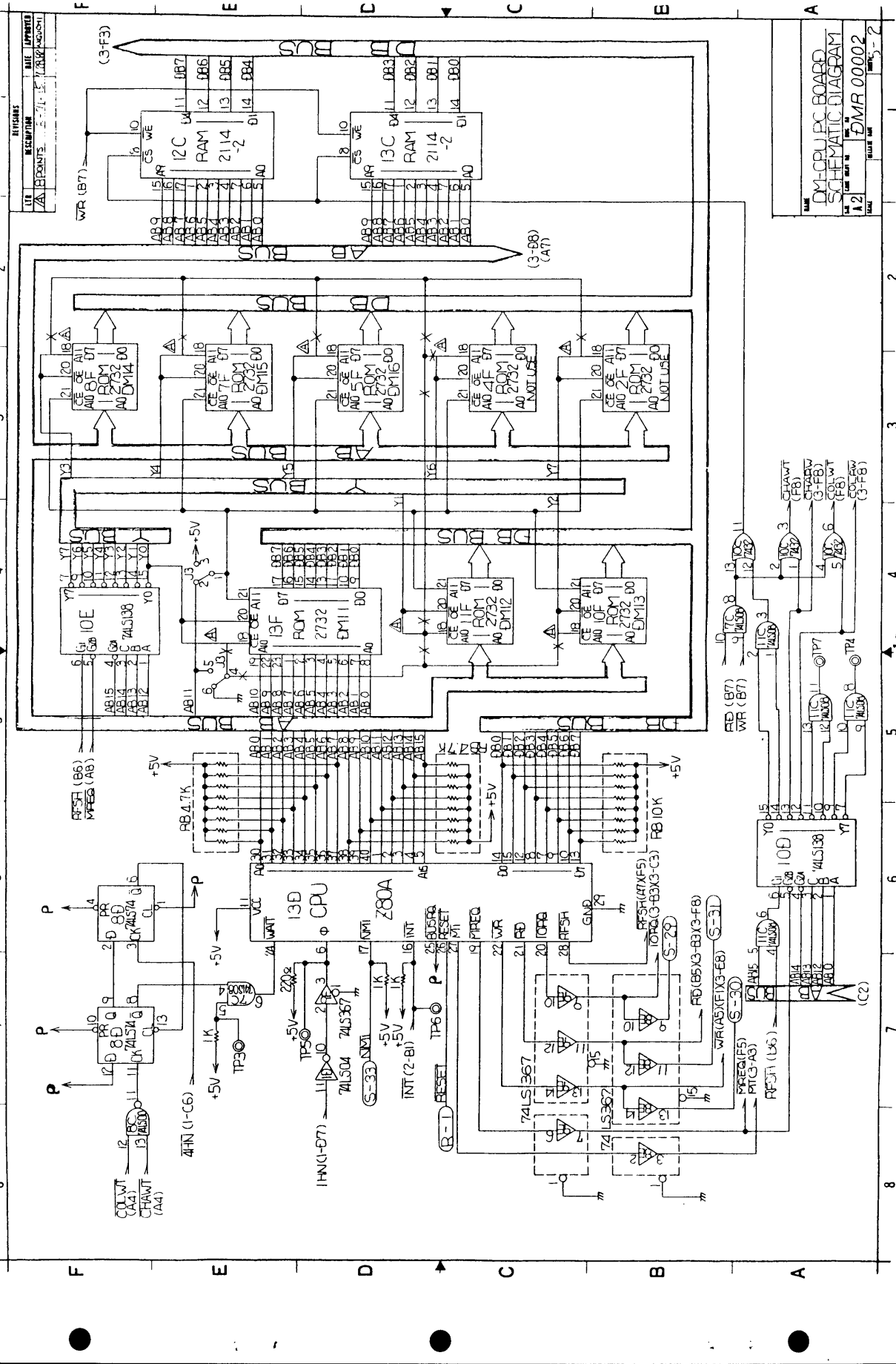
EM-CPU PC BOARD
SCHEMATIC DIAGRAM
EMR 00002A
REV 5-4



REV	DESCRIPTION	DATE	APPROVED
1	INITIAL	7/77	3382/0000011

REF ID	DESCRIPTION	QUANTITY	UNIT
4H	R-5		
8H	R-6		
16H	R-7		
32H	R-8		
64H	R-9		
128H	R-10		
1V	R-11		
2V	R-12		
4V	R-13		
8V	R-14		
16V	R-15		
32V	R-16		
64V	R-17		
128V	R-18		

DM-CPU-PC BOARD
SCHEMATIC DIAGRAM
REV. 1.2
DMR 00002

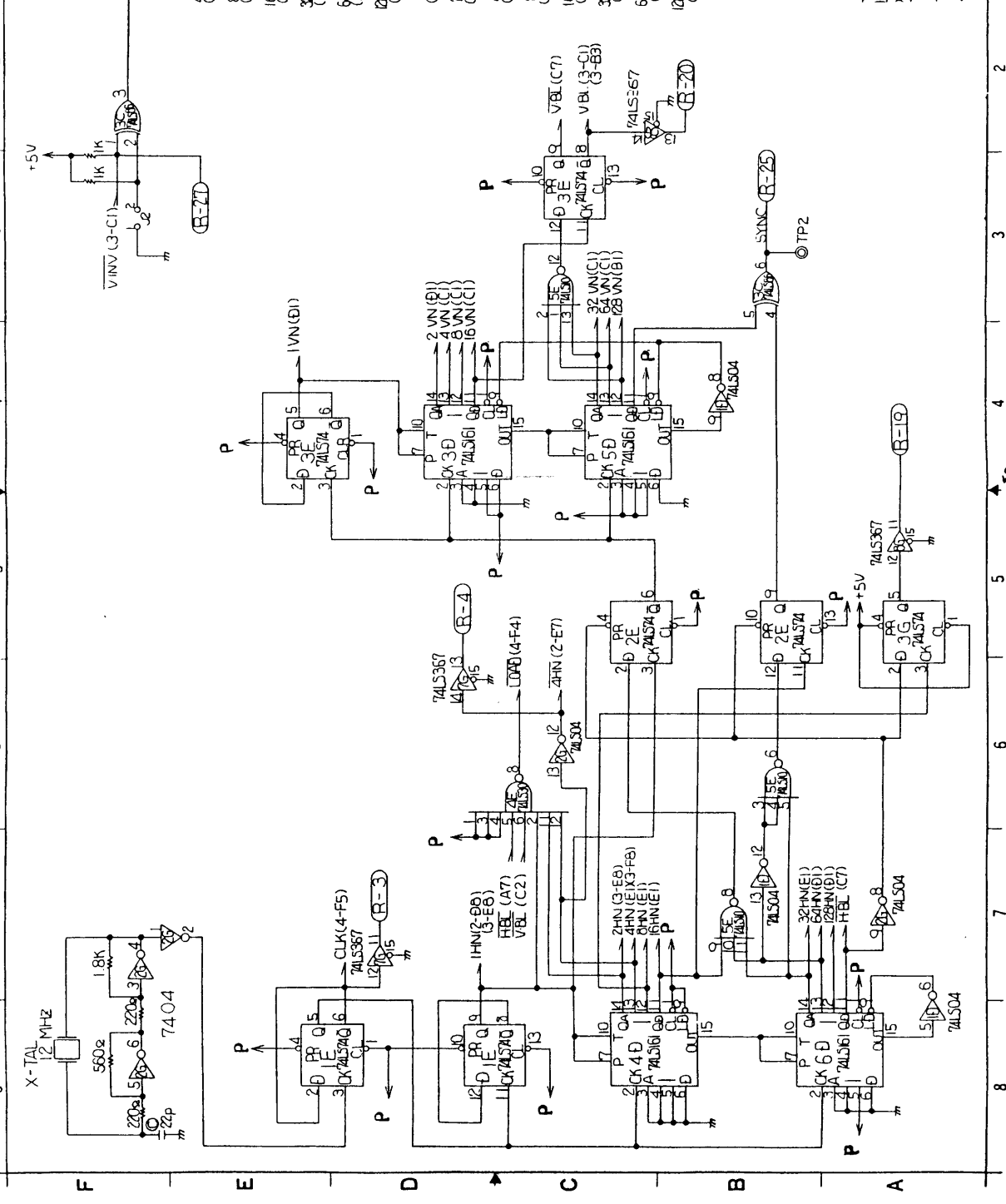


DM-CPU PC BOARD
SCHEMATIC DIAGRAM
REV. 1.2
DMR 00002

REV. 1.2
DATE APPROVED: 5-7-81
BY: [Signature]

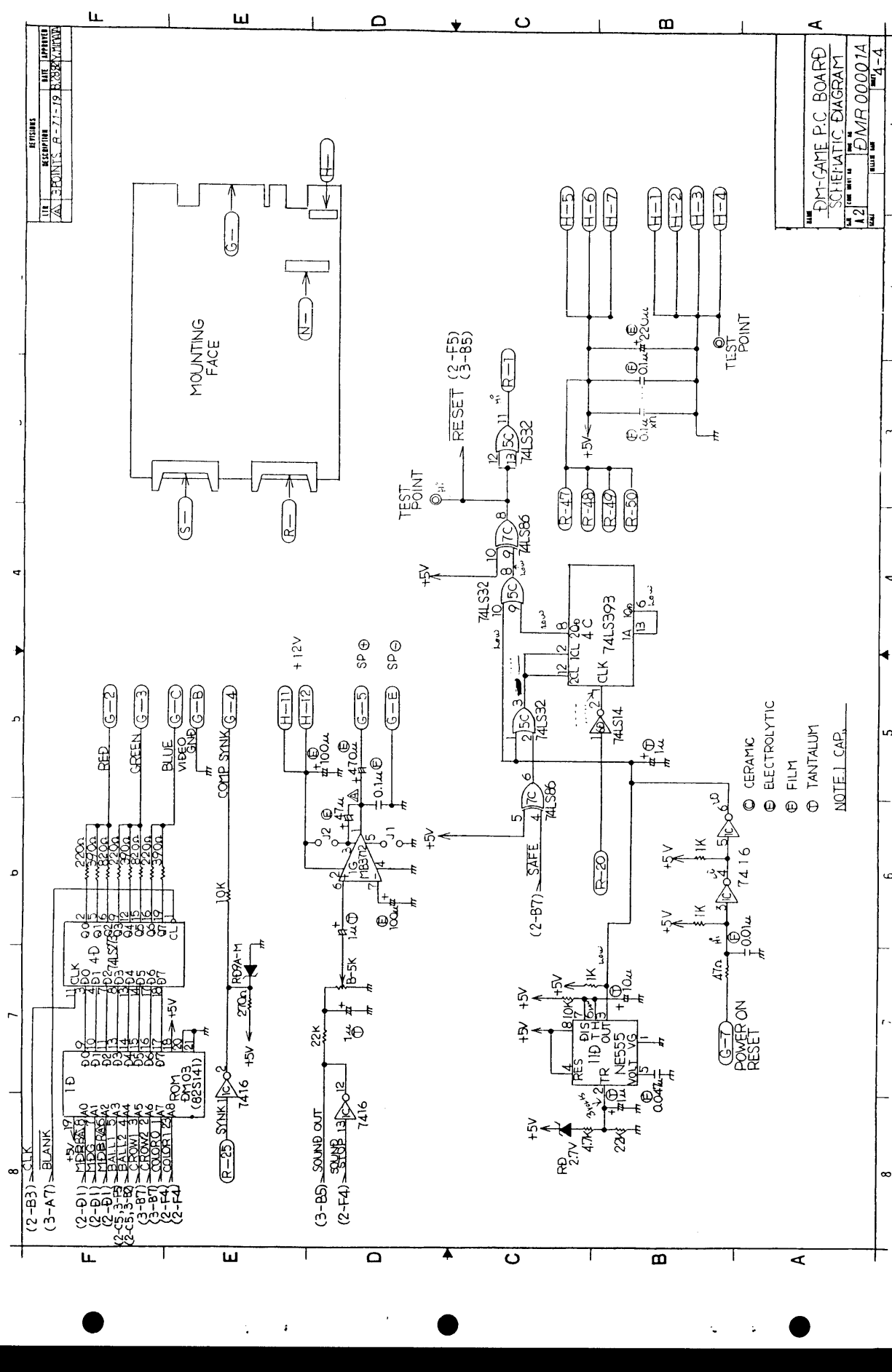
8 7 6 5 4 3 2 1

REV	DESCRIPTION	DATE	APPROVED

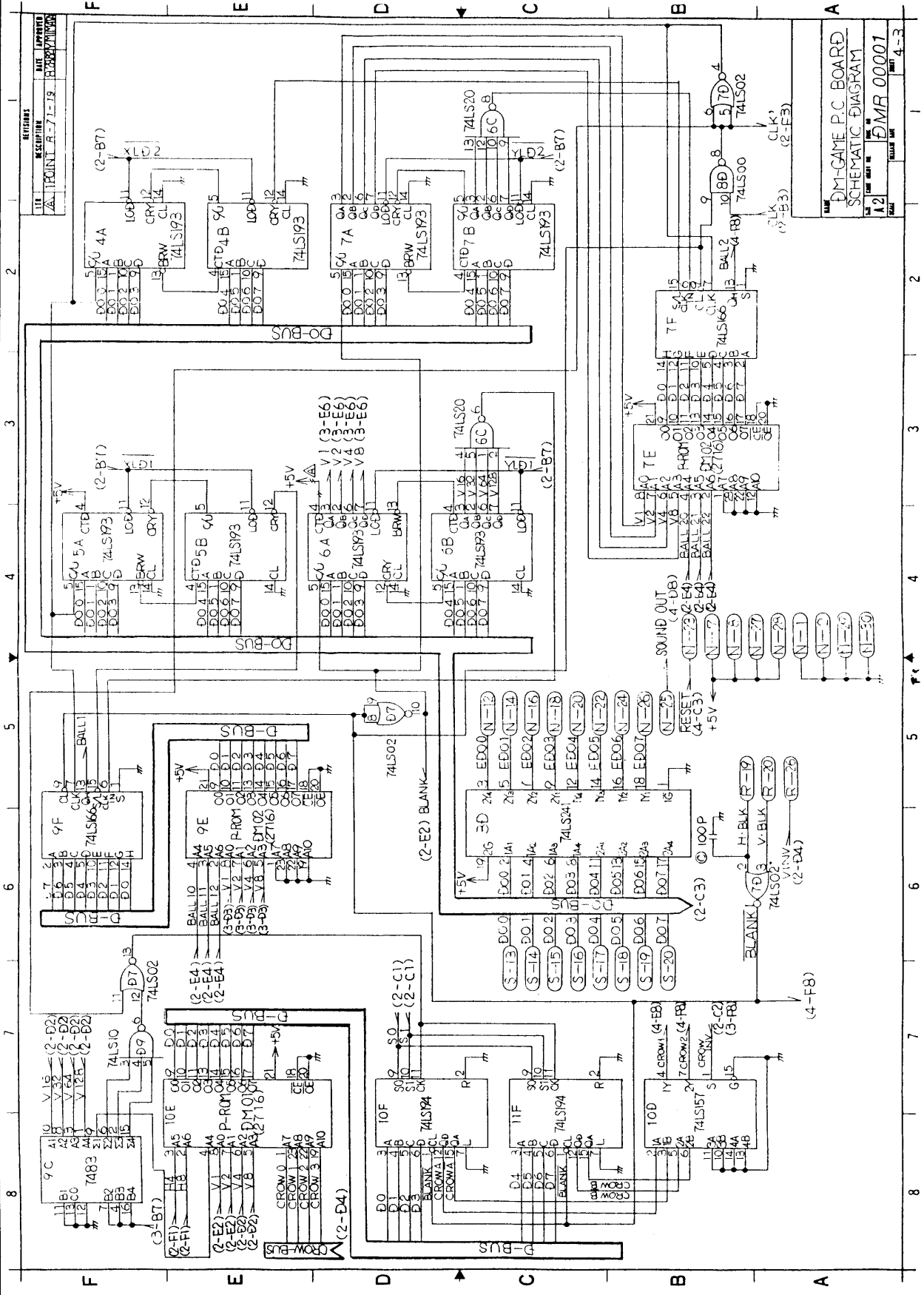


FM-CPU PCB BOARD
SCHEMATIC DIAGRAM
DATE: 1985-11
PART NO: EMR 00002A
REV: 5-1

REVISIONS	
NO.	DESCRIPTION
1	DMR 00001A
2	DMR 00001A
3	DMR 00001A
4	DMR 00001A



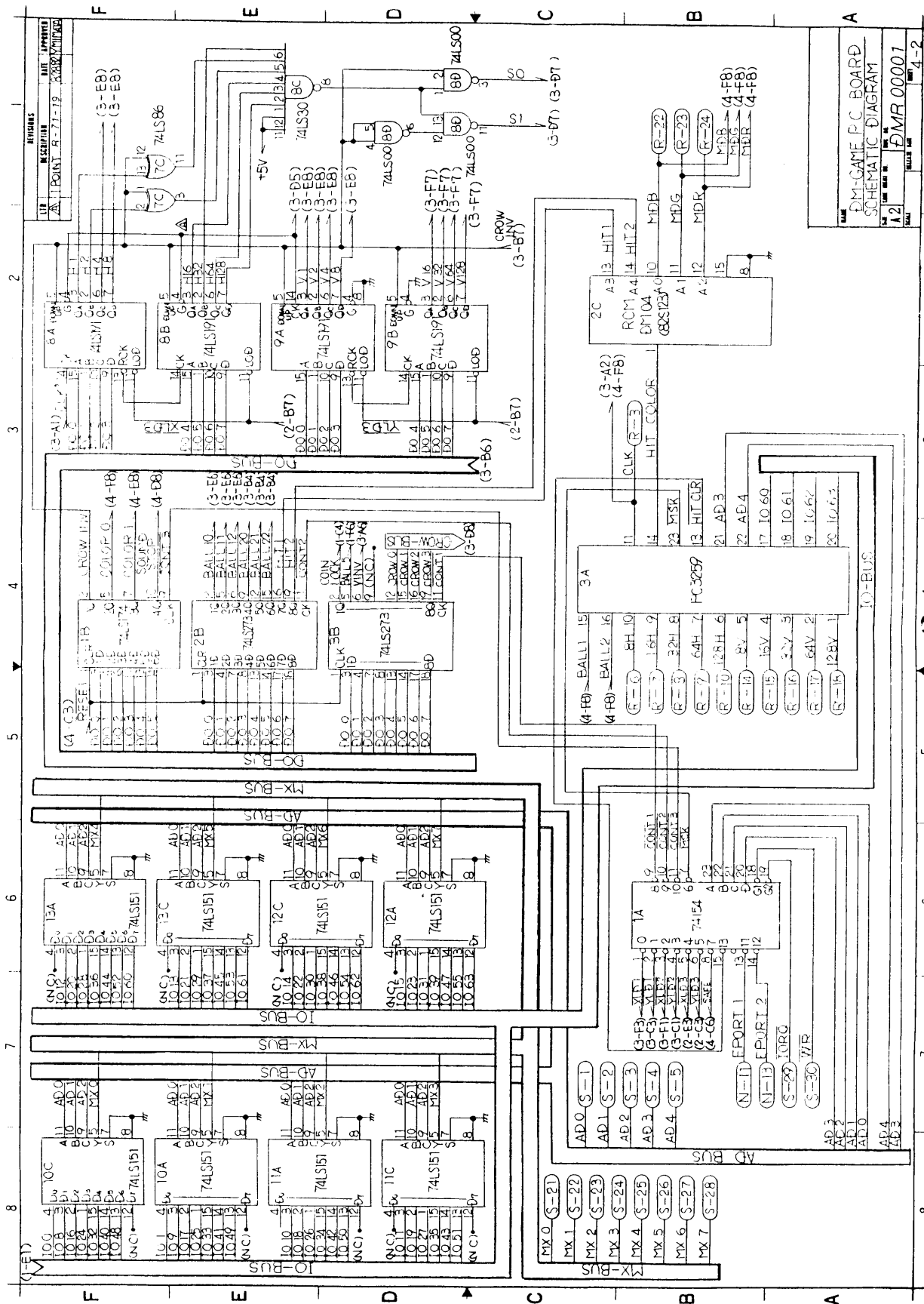
DM-GAME P.C. BOARD	
SCHEMATIC DIAGRAM	
NO.	DATE
1	DMR 00001A
2	DMR 00001A
3	DMR 00001A
4	DMR 00001A



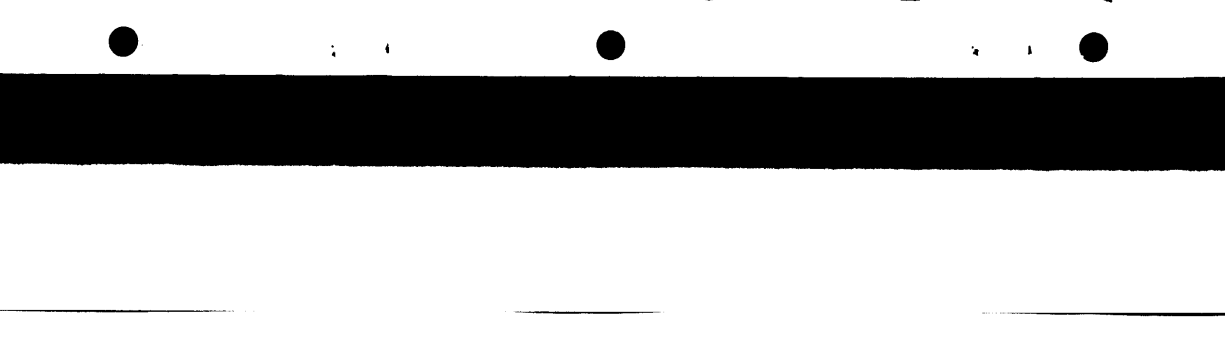
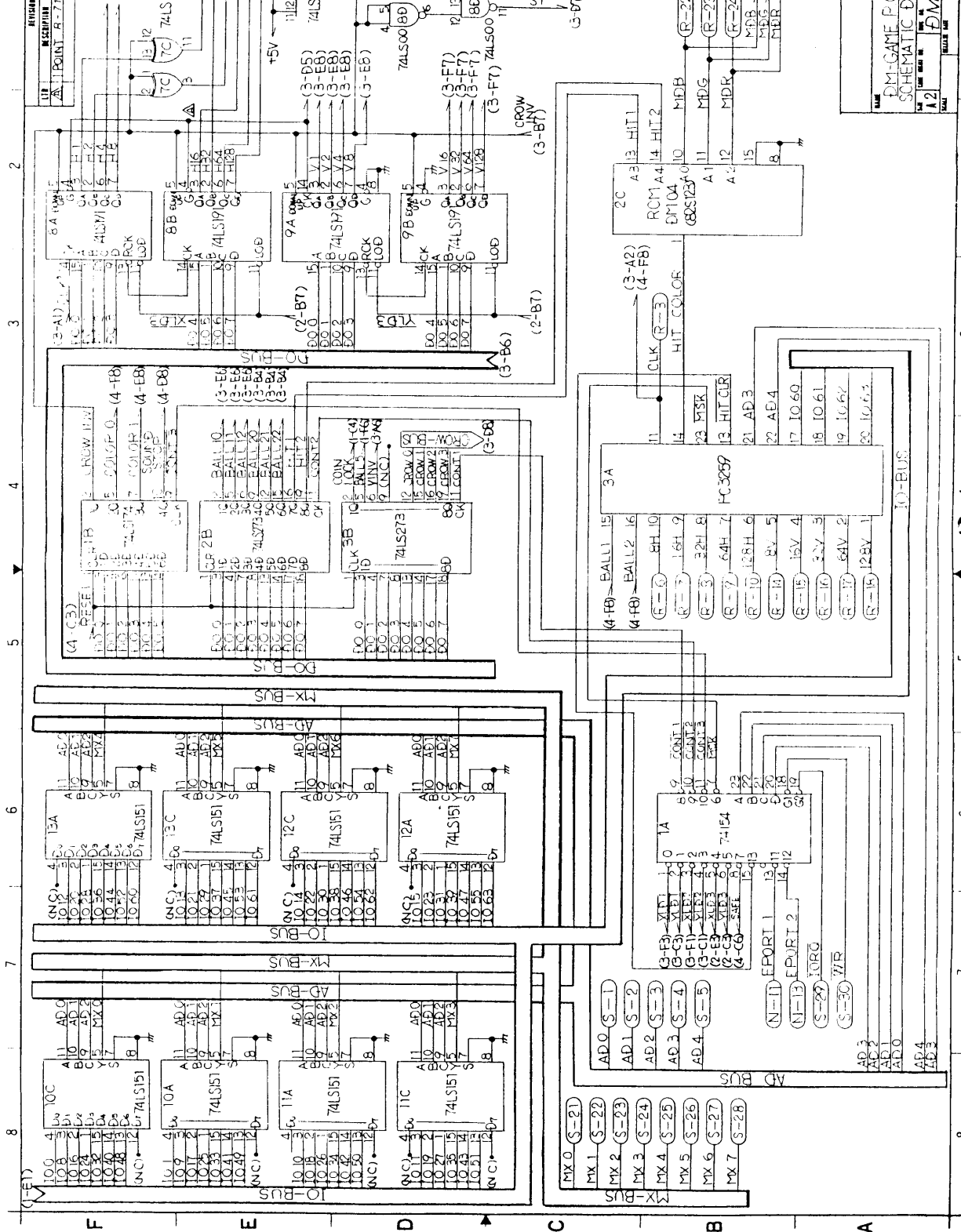
REVIEWS
DATE: 11-19-83
DRAWN: [Signature]

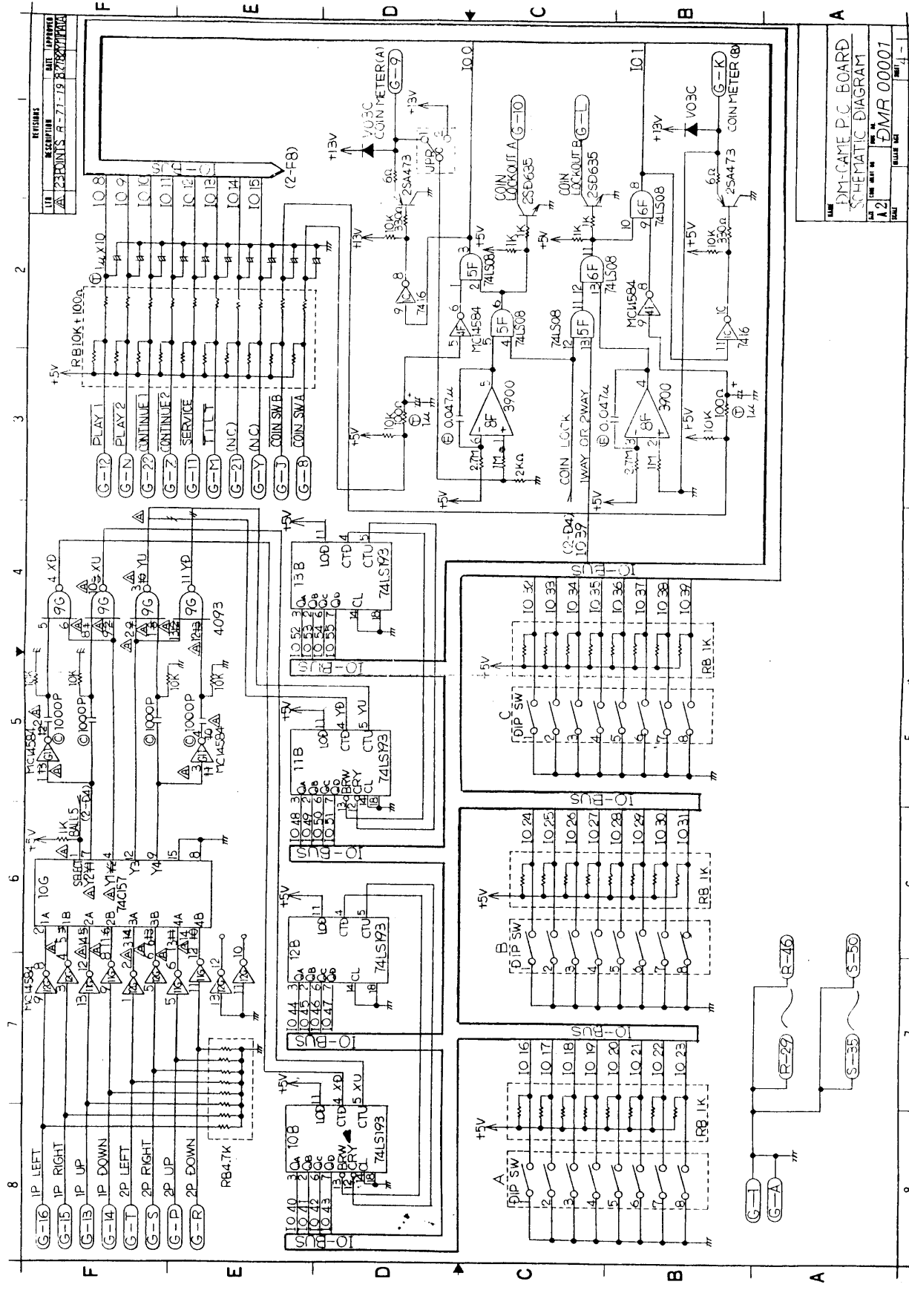
DM-GAME P.C. BOARD
SCHEMATIC DIAGRAM
DRAWN BY: [Signature]
DATE: 11-19-83

8 7 6 5 4 3 2 1
F E D C B A
F E D C B A



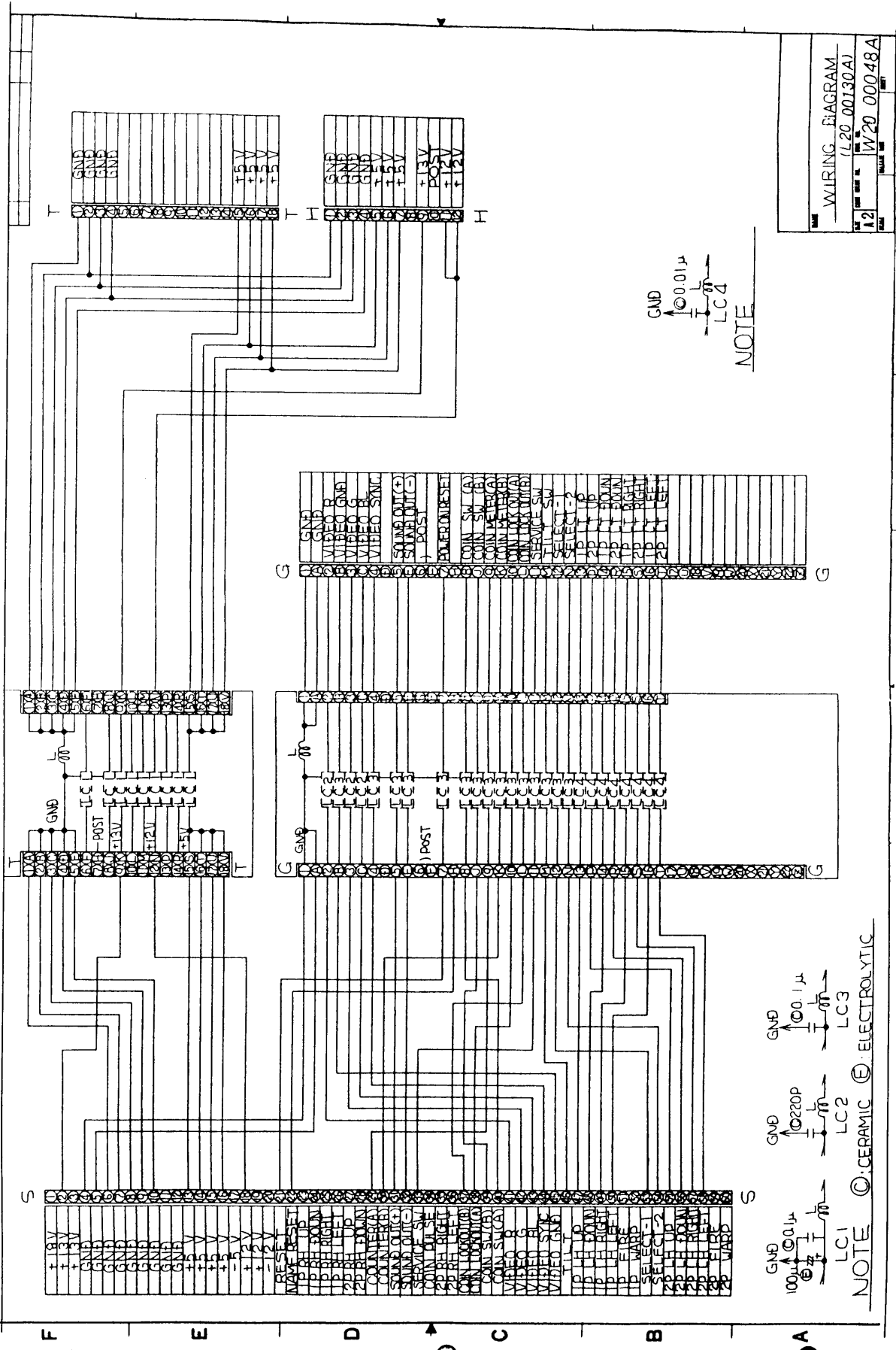
DM-GAME P.C. BOARD
SCHEMATIC DIAGRAM
DMR 00001





REF ID	DESCRIPTION	QTY	APPROX PART NO.
A 23	POINTS	19	25A473
B 10	COIN METER	1	DMR 00007

REF ID	DESCRIPTION	QTY	APPROX PART NO.
A 1	DM-CAME PC BOARD	1	DMR 00007
A 2	SCHEMATIC DIAGRAM	1	DMR 00007



WIRING DIAGRAM
 (L20 00130A)
 W20 00048A

NOTE
 GND \uparrow \odot 0.01 μ
 LC4

NOTE \odot CERAMIC \ominus ELECTROLYTIC
 GND \uparrow \odot 0.01 μ
 LC1
 GND \uparrow \odot 220P
 LC2
 GND \uparrow \odot 0.1 μ
 LC3

F
 E
 D
 C
 B
 A