

This document has been downloaded from:



The largest resource for amusement machines
documentation on the world wide web!



FLIPPERSPILL.COM

CHICAGO

COIN

**DEMOLITION
DERBY**

SCHMATIC

CHICAGO DYNAMIC INDUSTRIES, INC.

1725 DIVERSEY BOULEVARD



CHICAGO, ILLINOIS 60614

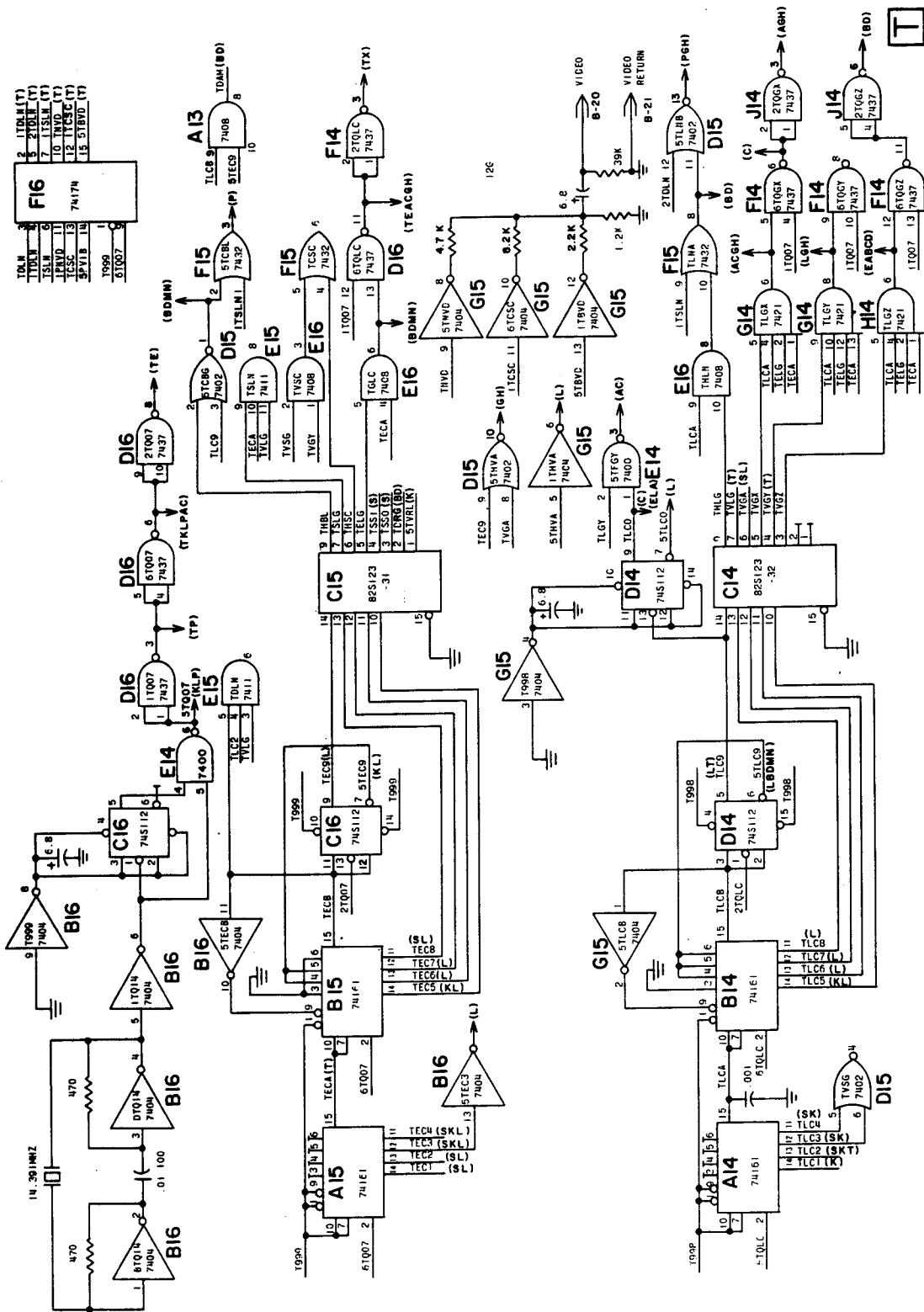


PHONE (312) 935-4600

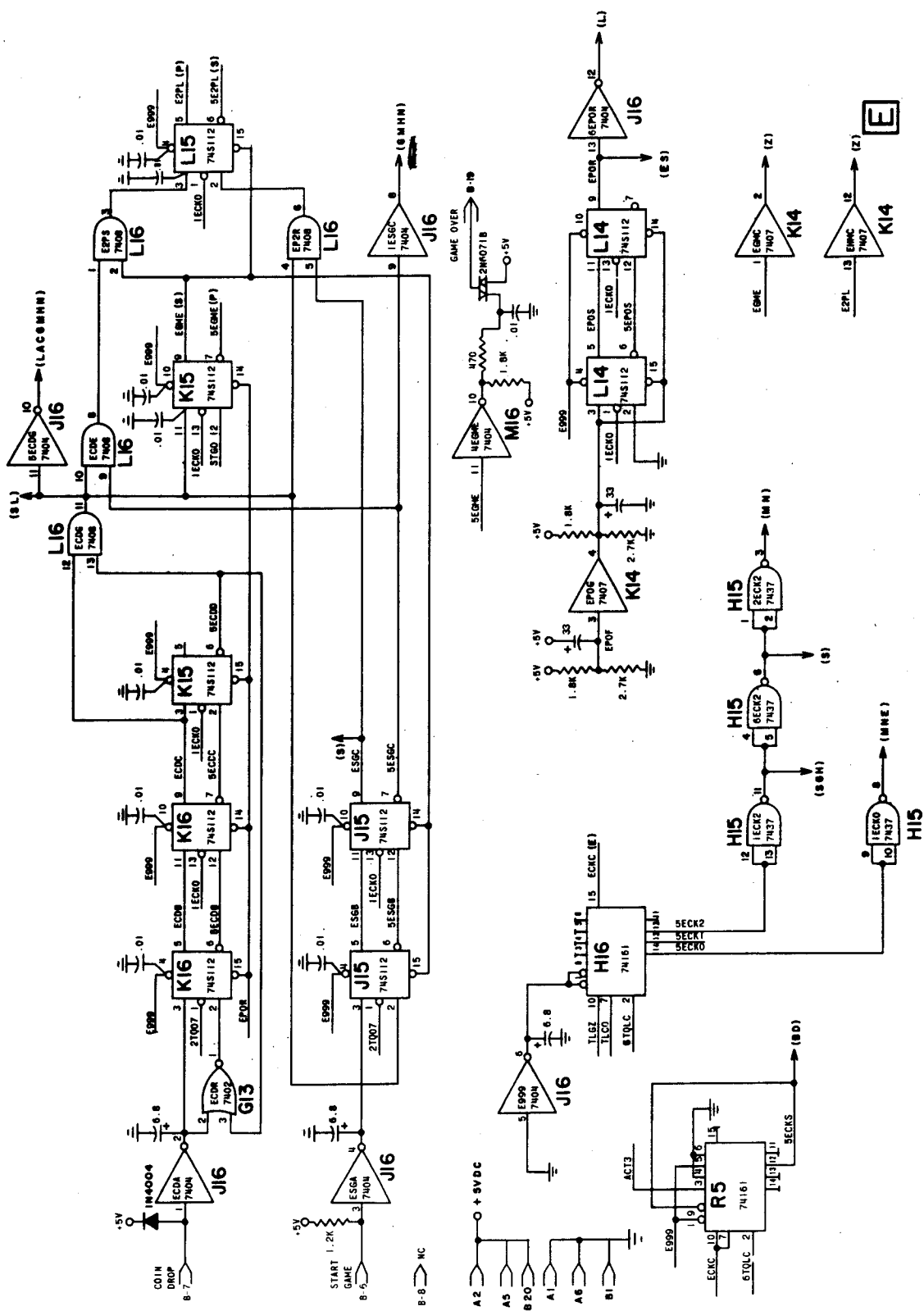
INDEX

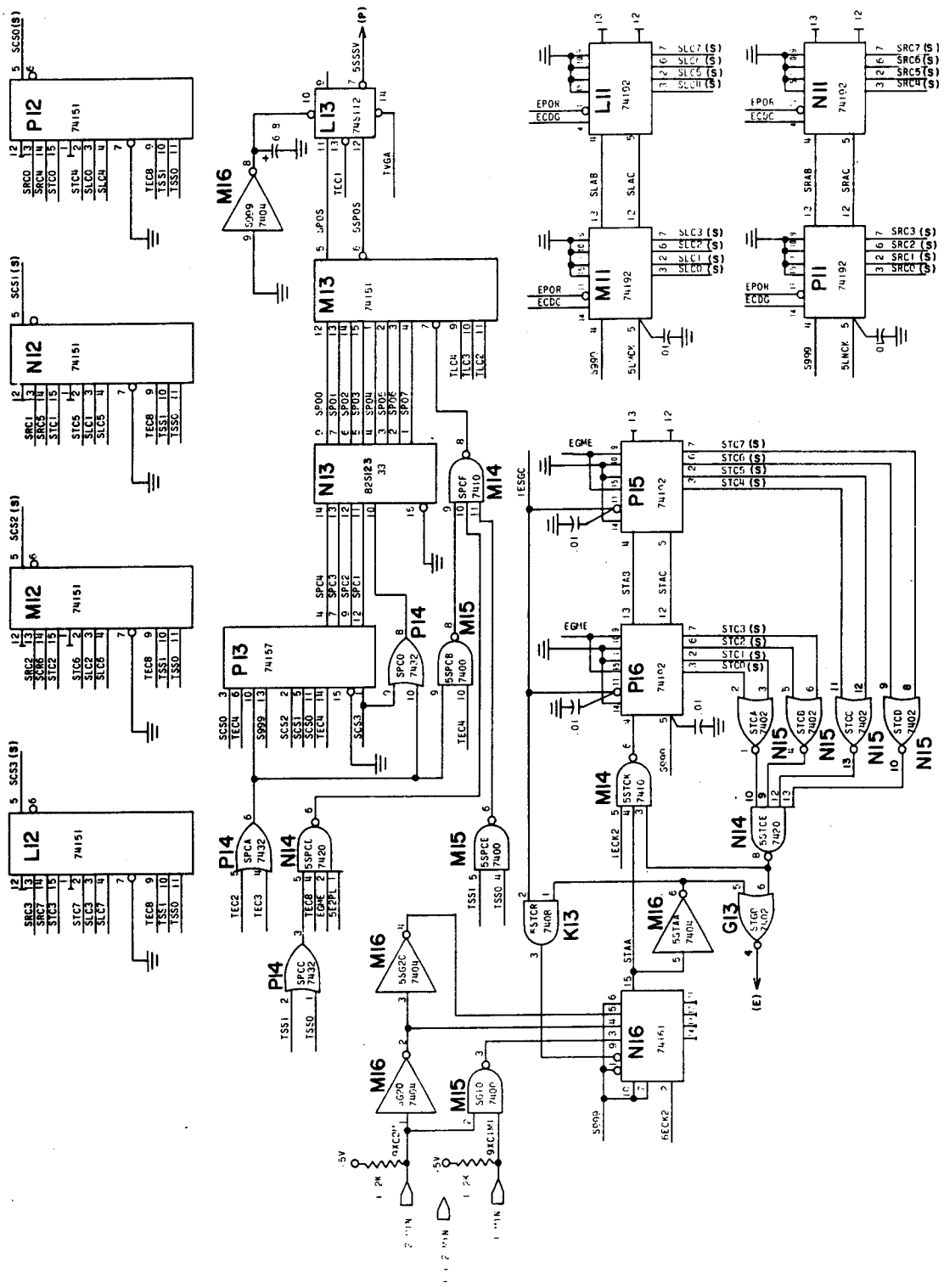
PAGE

1	CLOCK & VIDEO OUTPUT
2	GAME CONTROL
3	TIMER & SCORE
4	CAR SHAPE
5	CRASH CAR & SCORING
6	PICTURE OUTPUT
7	GAME CAR 2
8	GAME CAR 2
9	GAME CAR 1
10	GAME CAR 1
11	PLAYER CAR 1
12	PLAYER CAR 1
13	PLAYER CAR 2
14	PLAYER CAR 2
15	MOTOR SPEED
16	CRASH & MOTOR SOUND
17	AUDIO POWER SUPPLY & OUTPUT
18	PULSE GENERATORS
19	CABINET WIRING

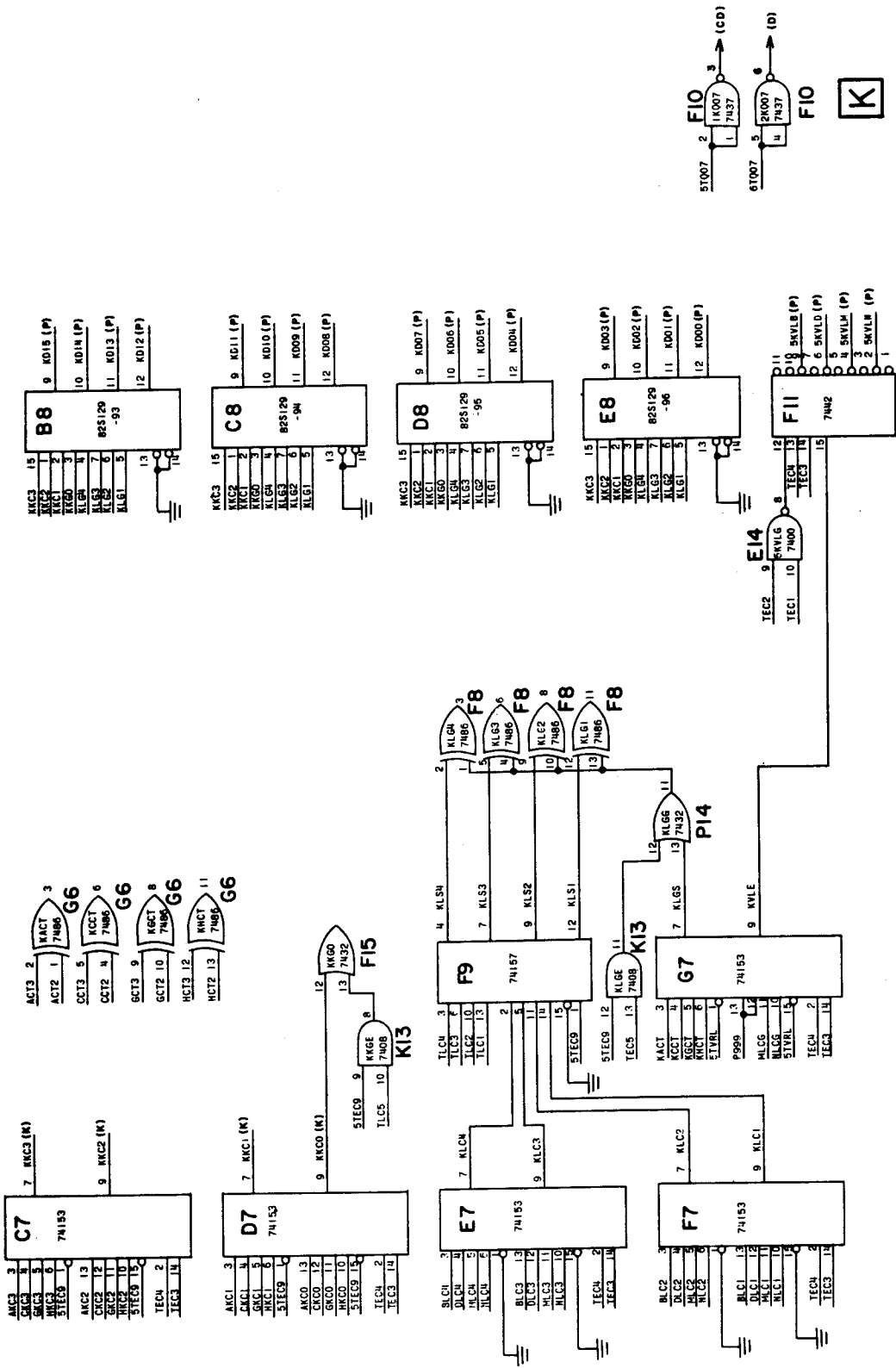


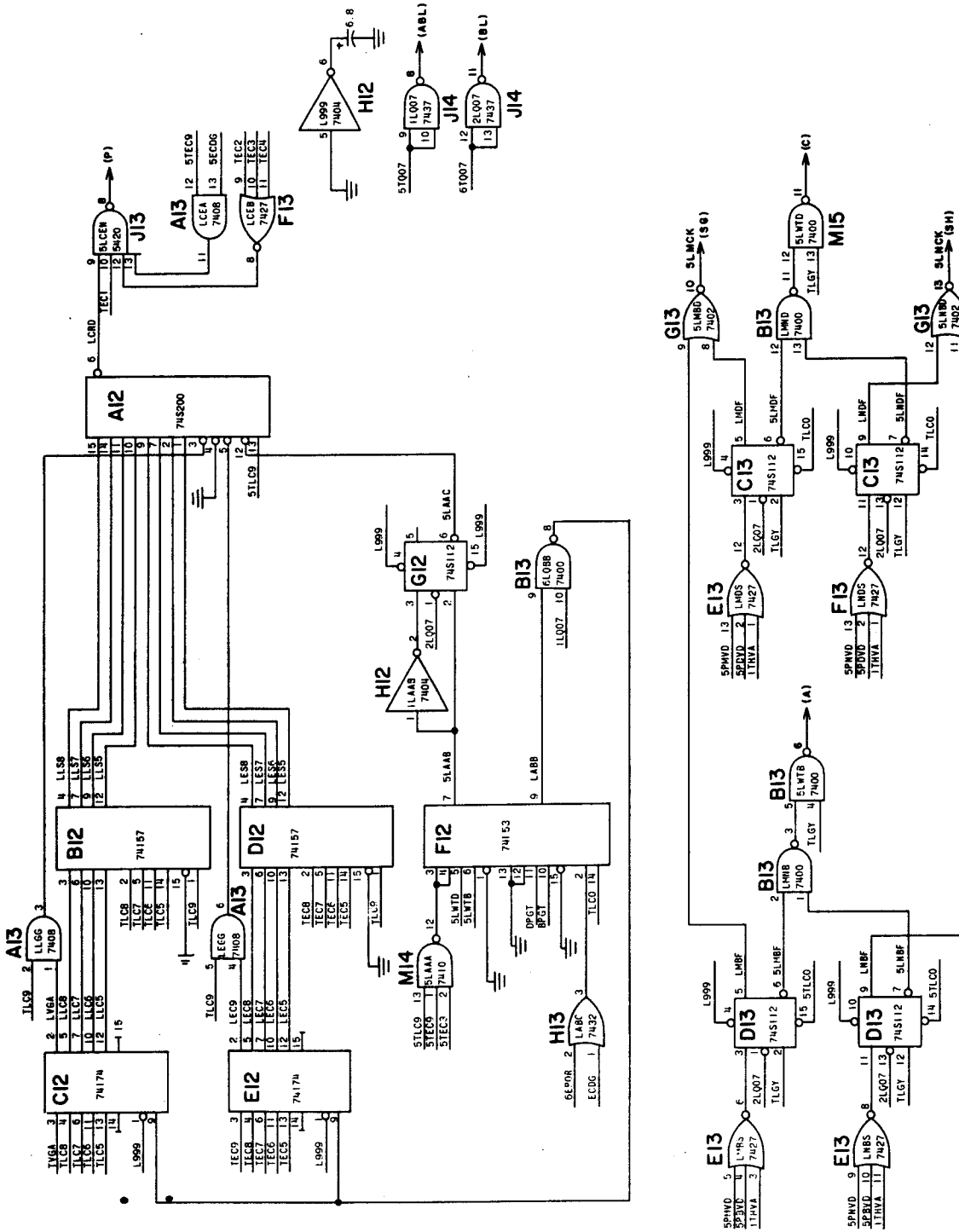
CHICAGO DYNAMIC INDUSTRIES, INC.
 1725 DIVERSEY BLVD. CHICAGO

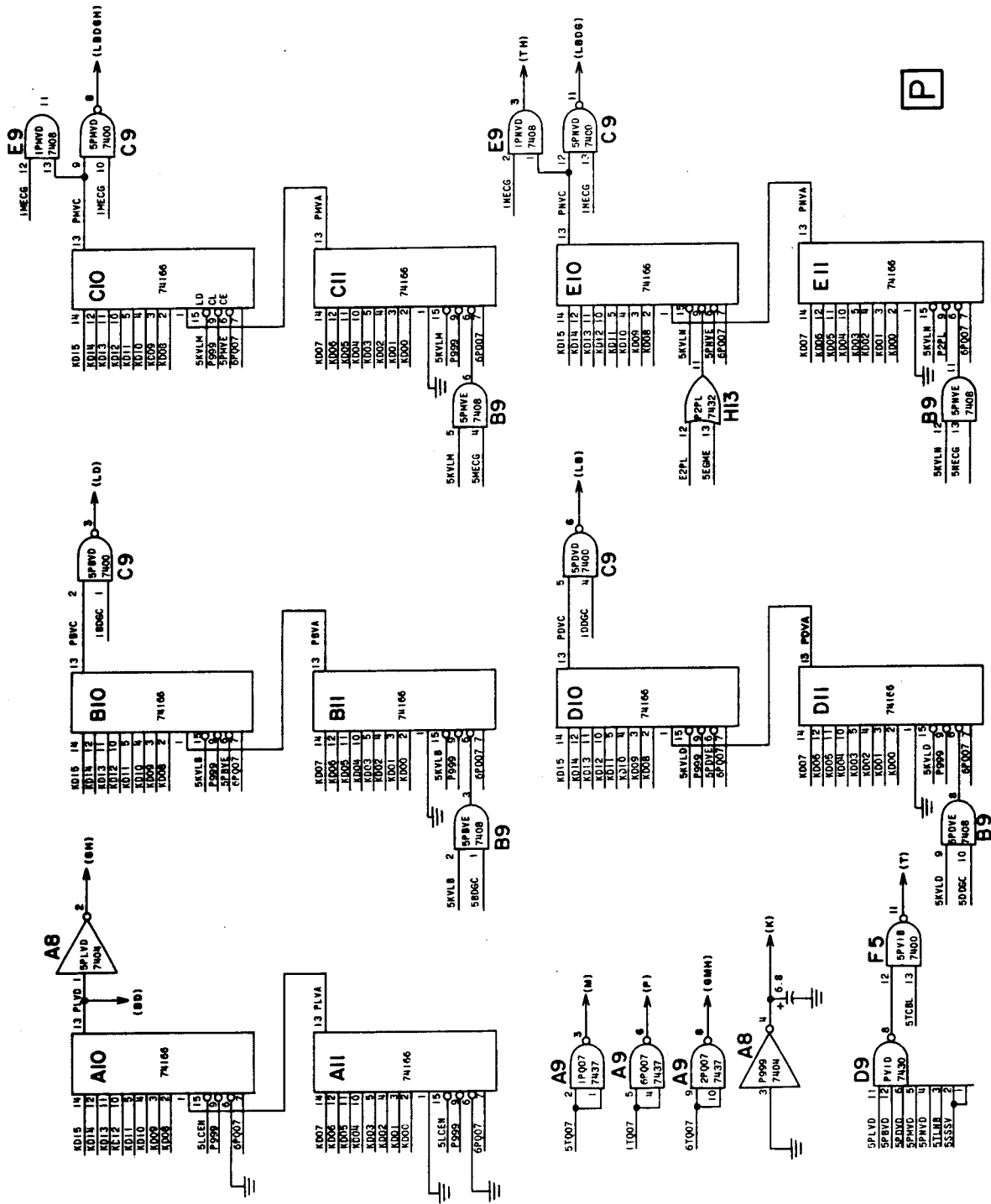


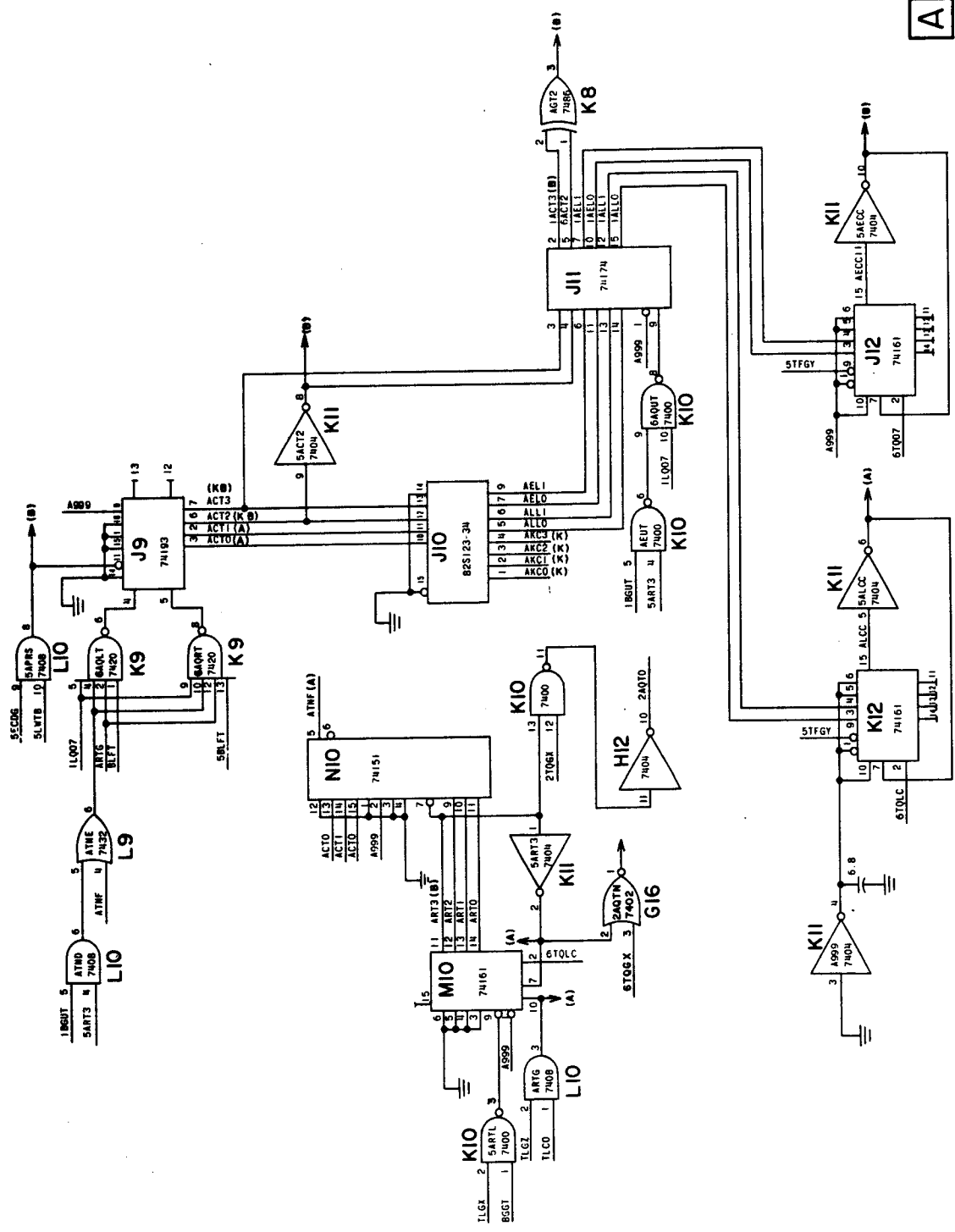


S

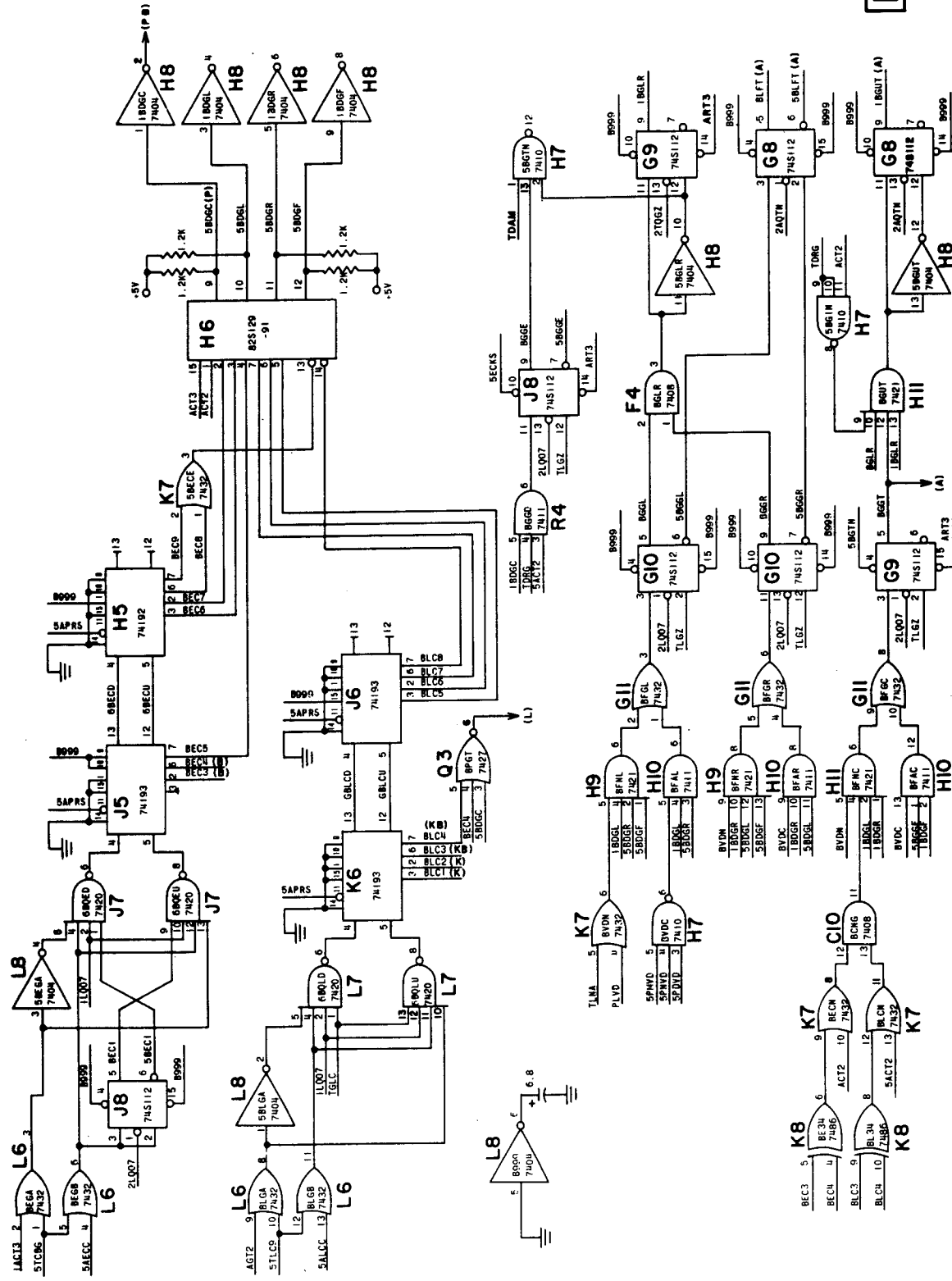


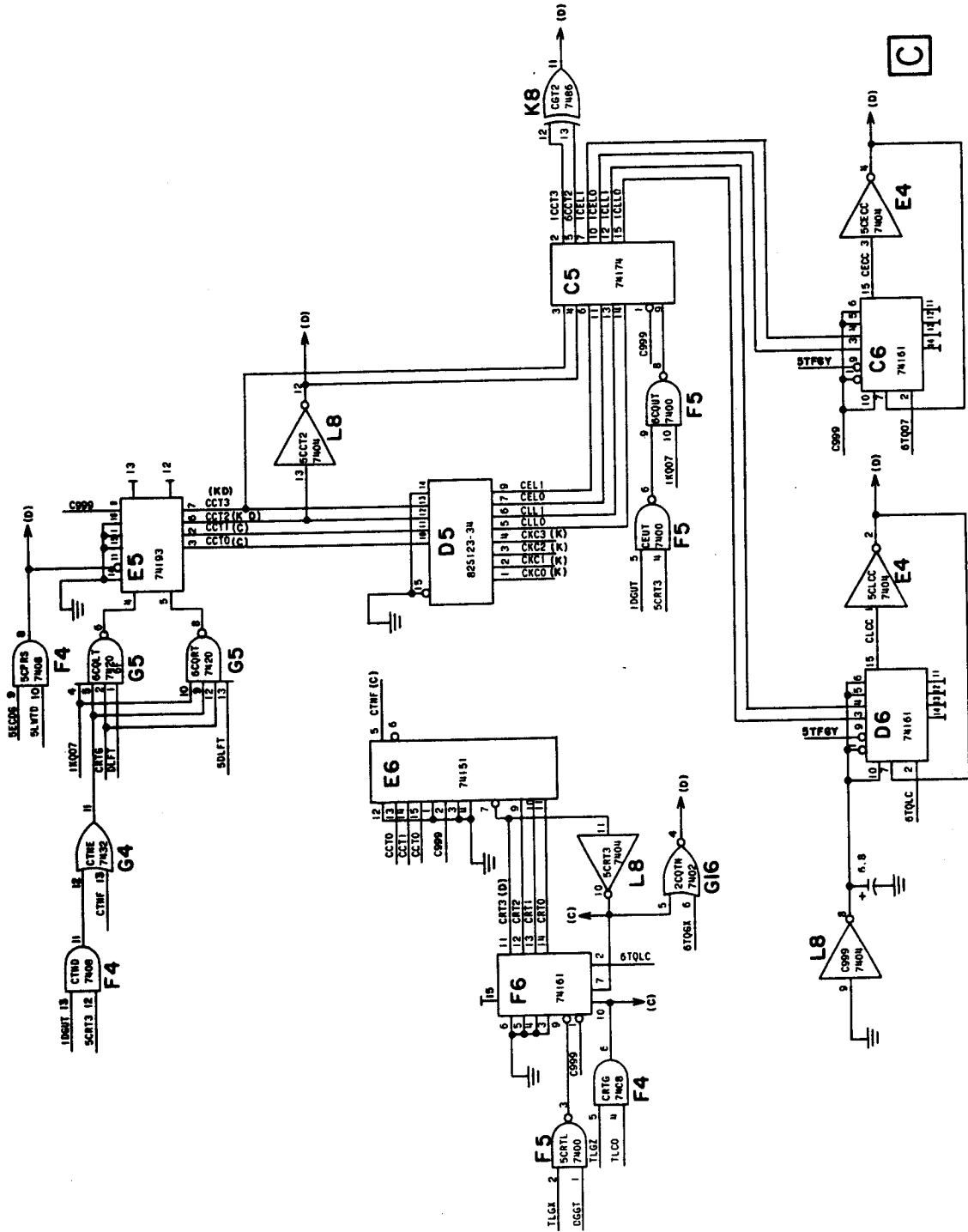


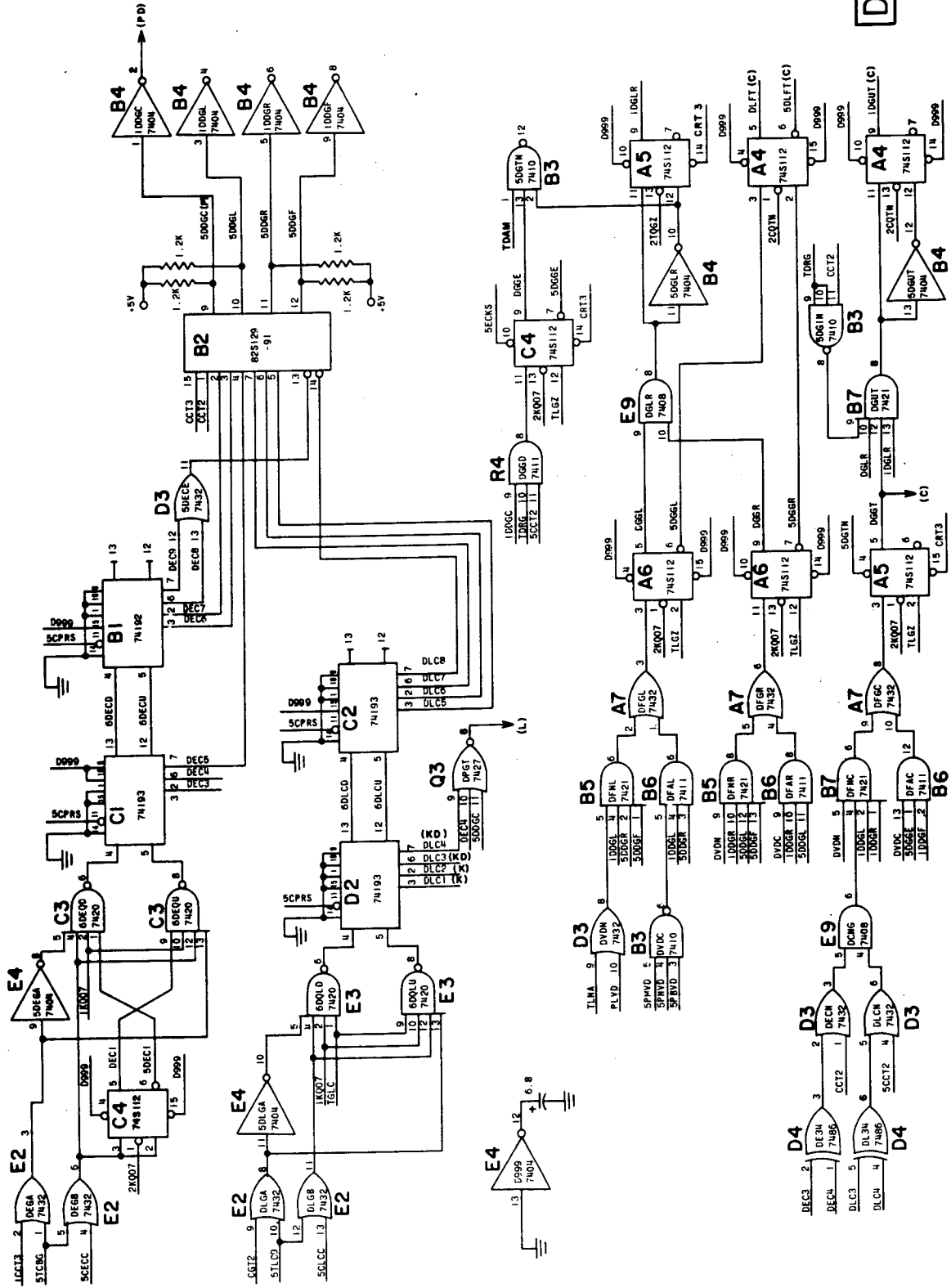




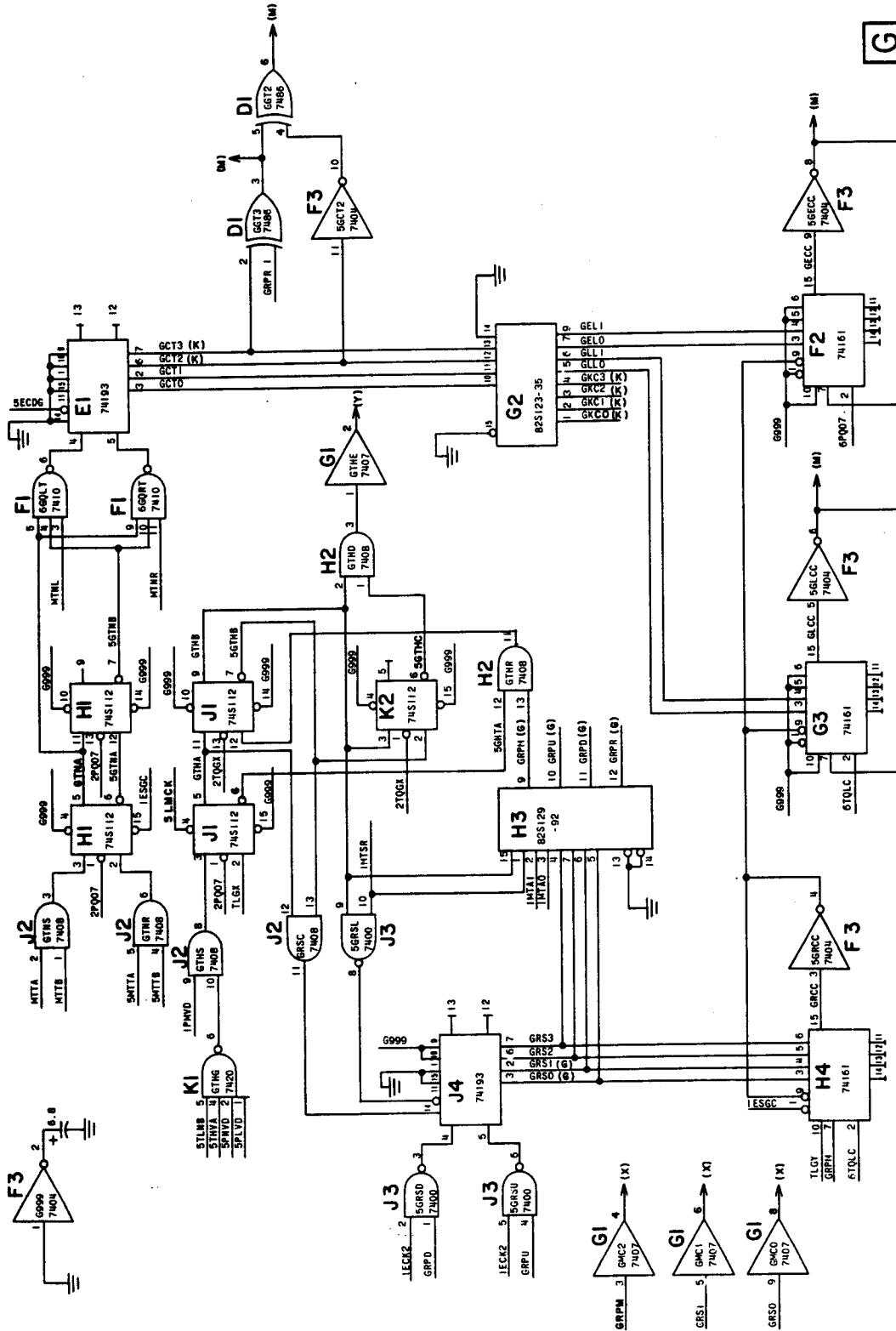
A







D



CHICAGO DYNAMIC INDUSTRIES, INC.
1725 DIVERSEY BLVD. CHICAGO

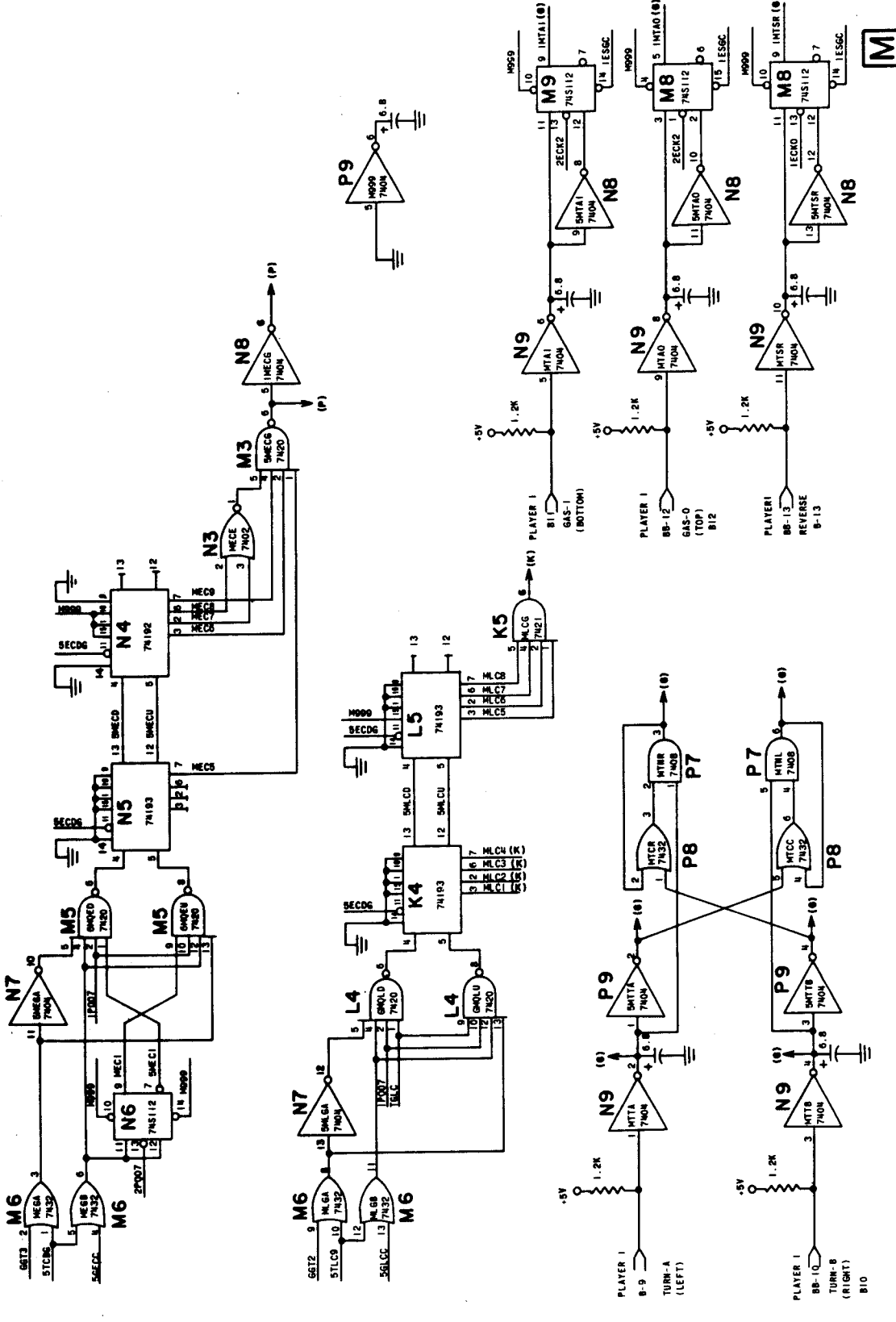
DEMOLITION DERBY

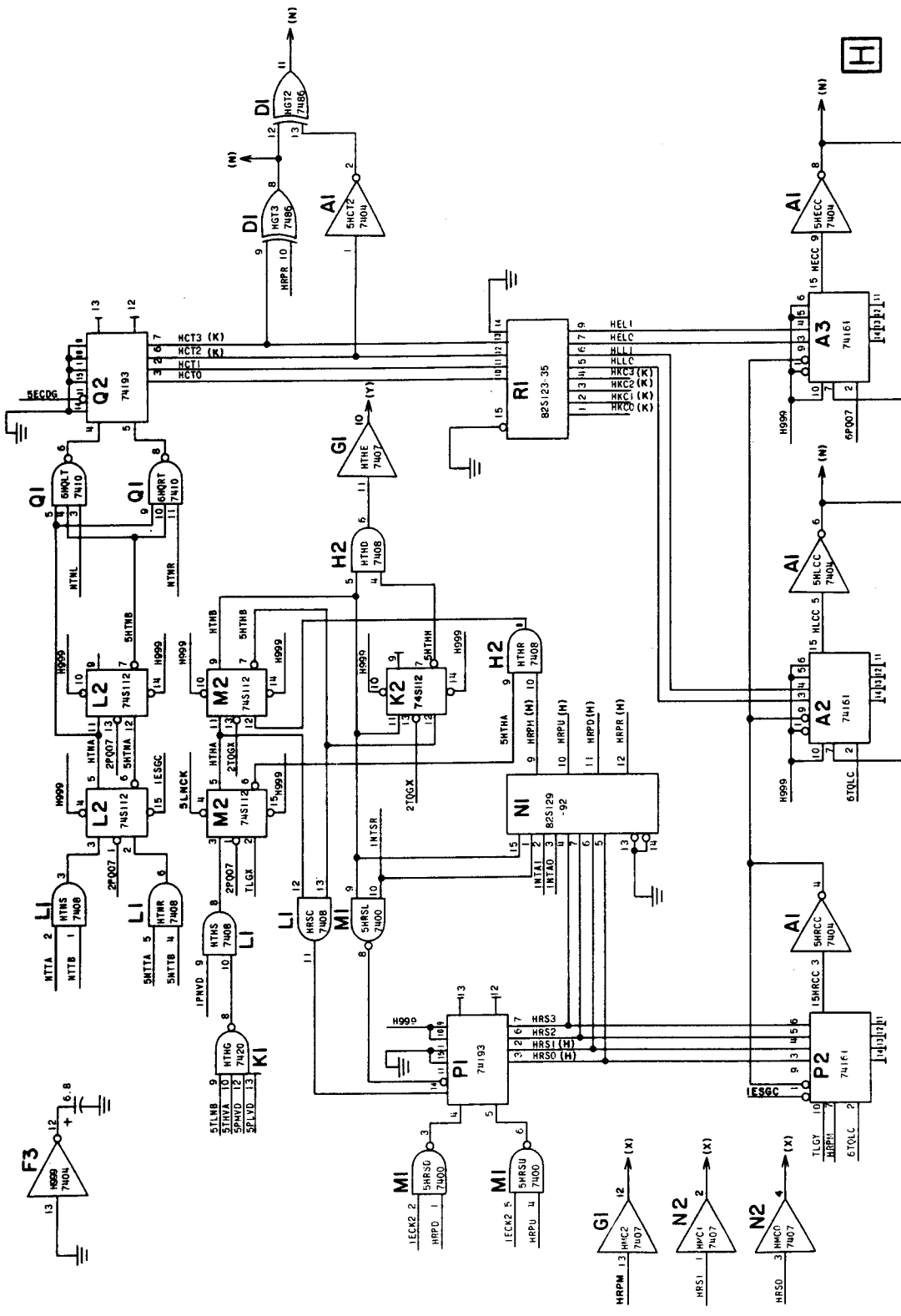
466

PLAYER CAR 1

PAGE

11



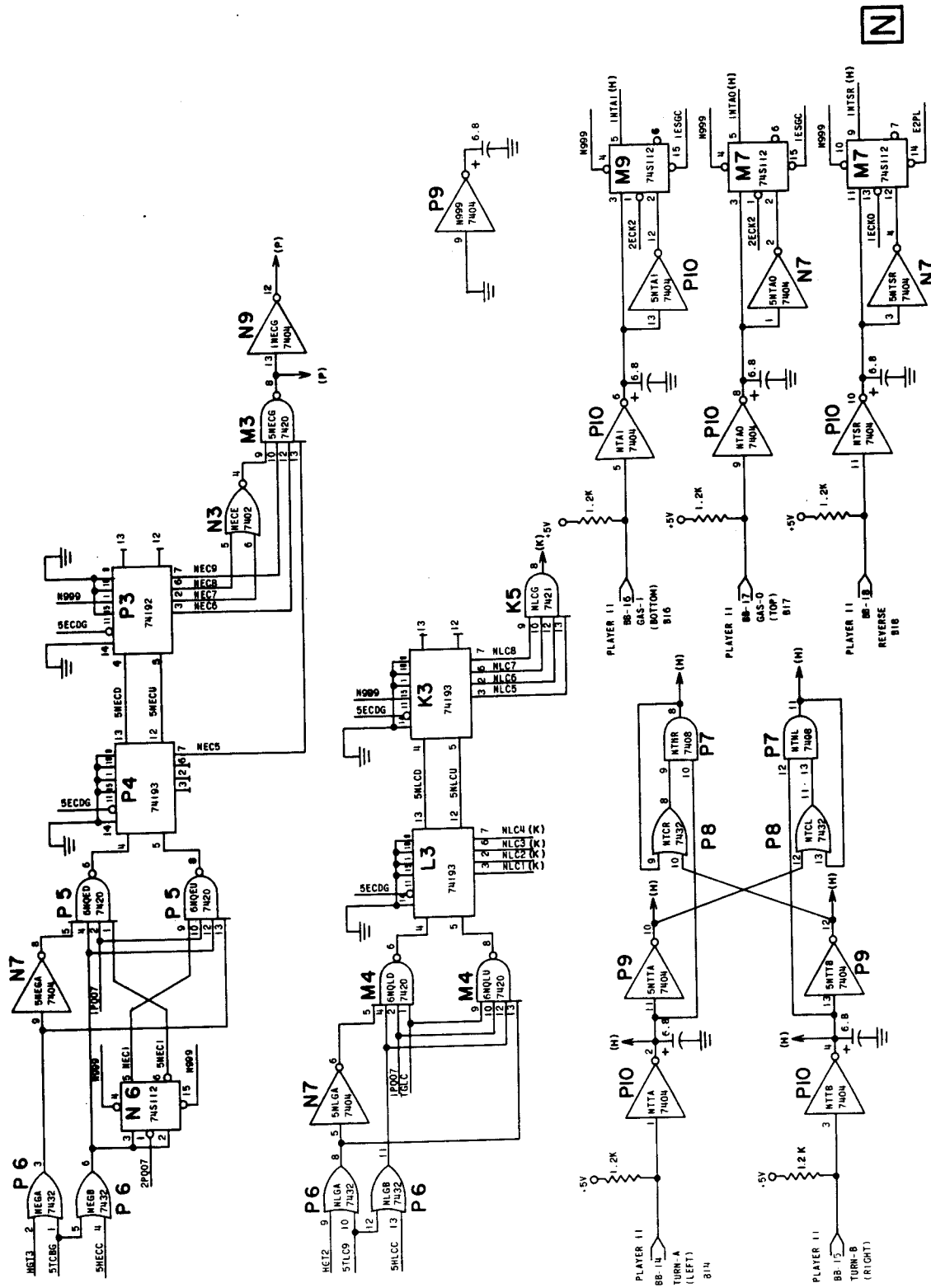


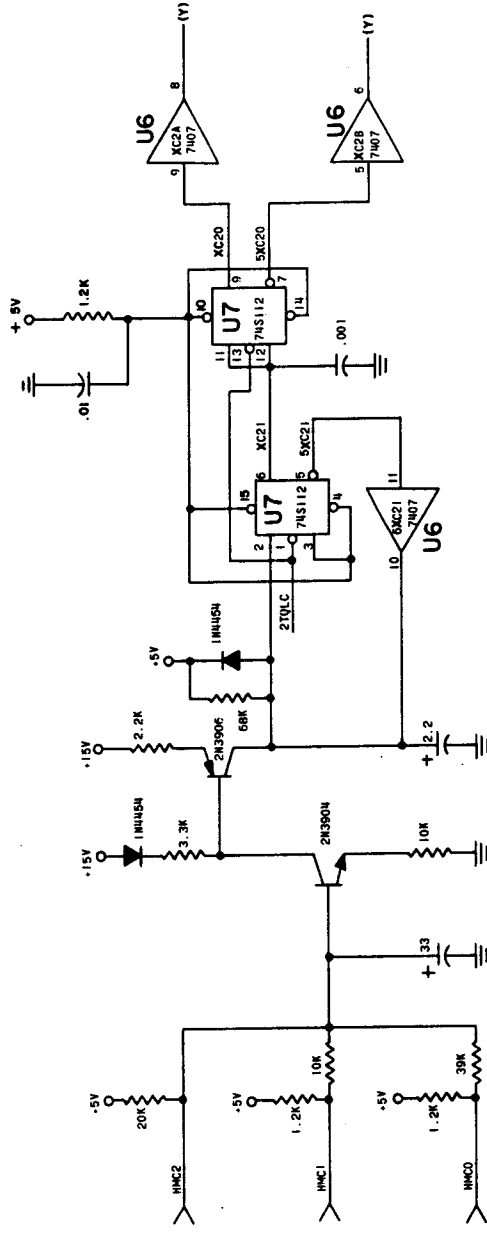
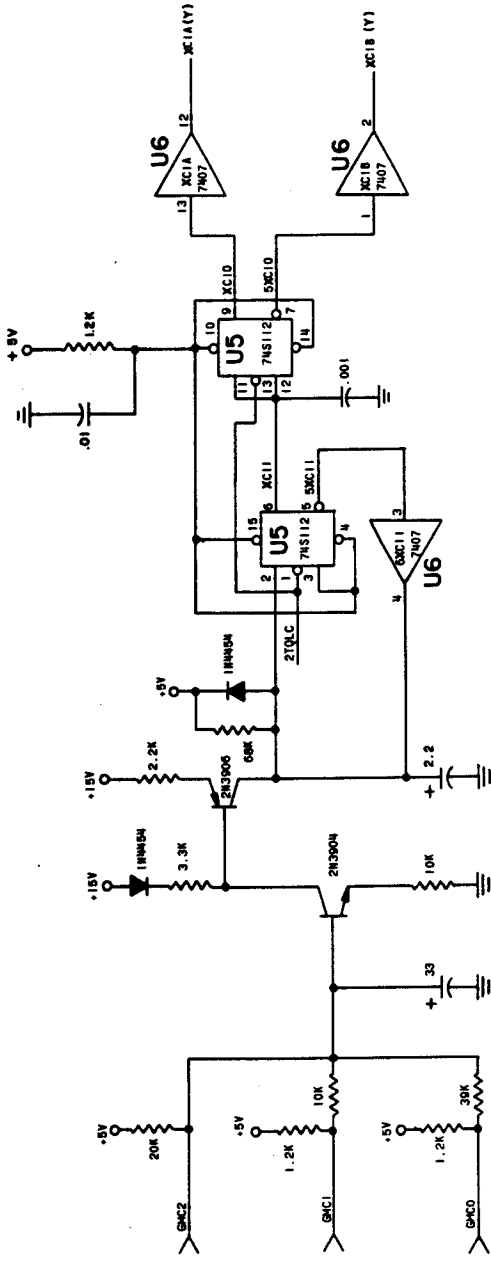
CHICAGO DYNAMIC INDUSTRIES, INC.
1725 DIVERSEY BLVD. CHICAGO

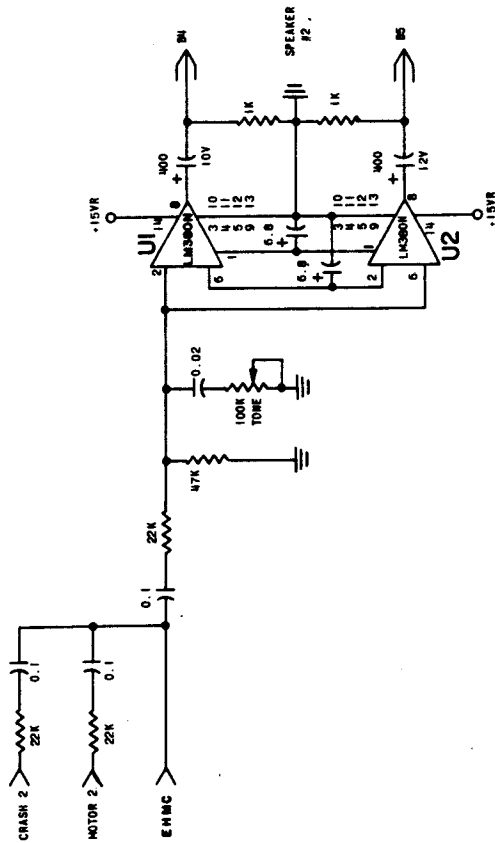
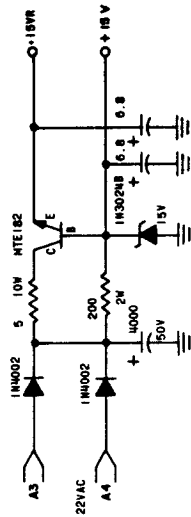
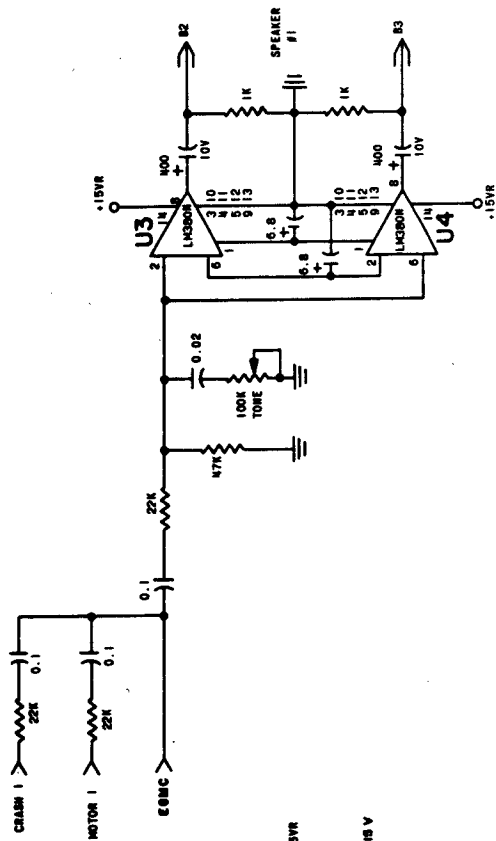
DEMOLITION DERBY **466** **PAGE**

PLAYER CAR 2

13

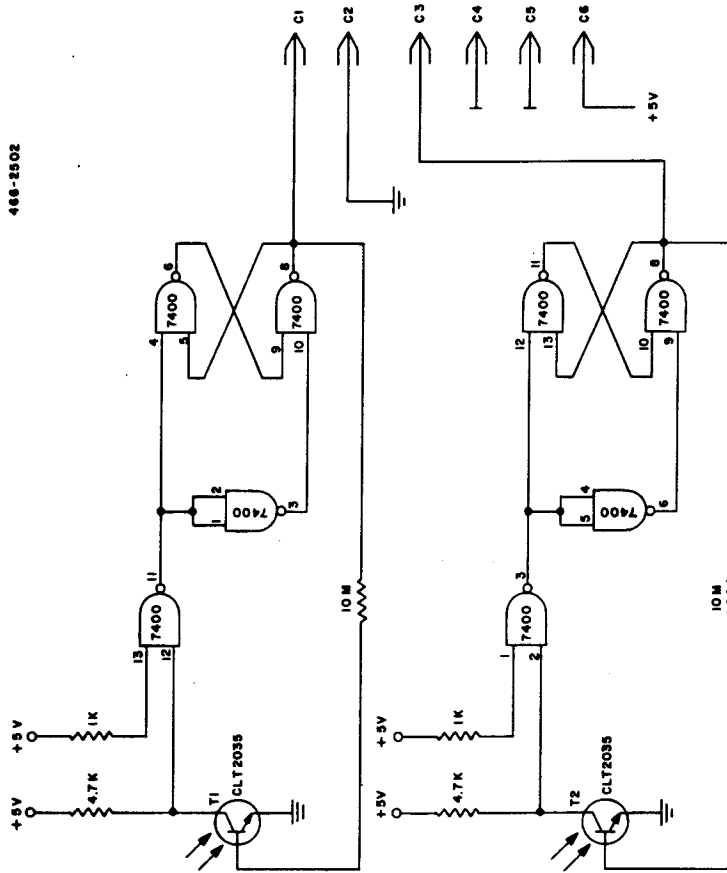




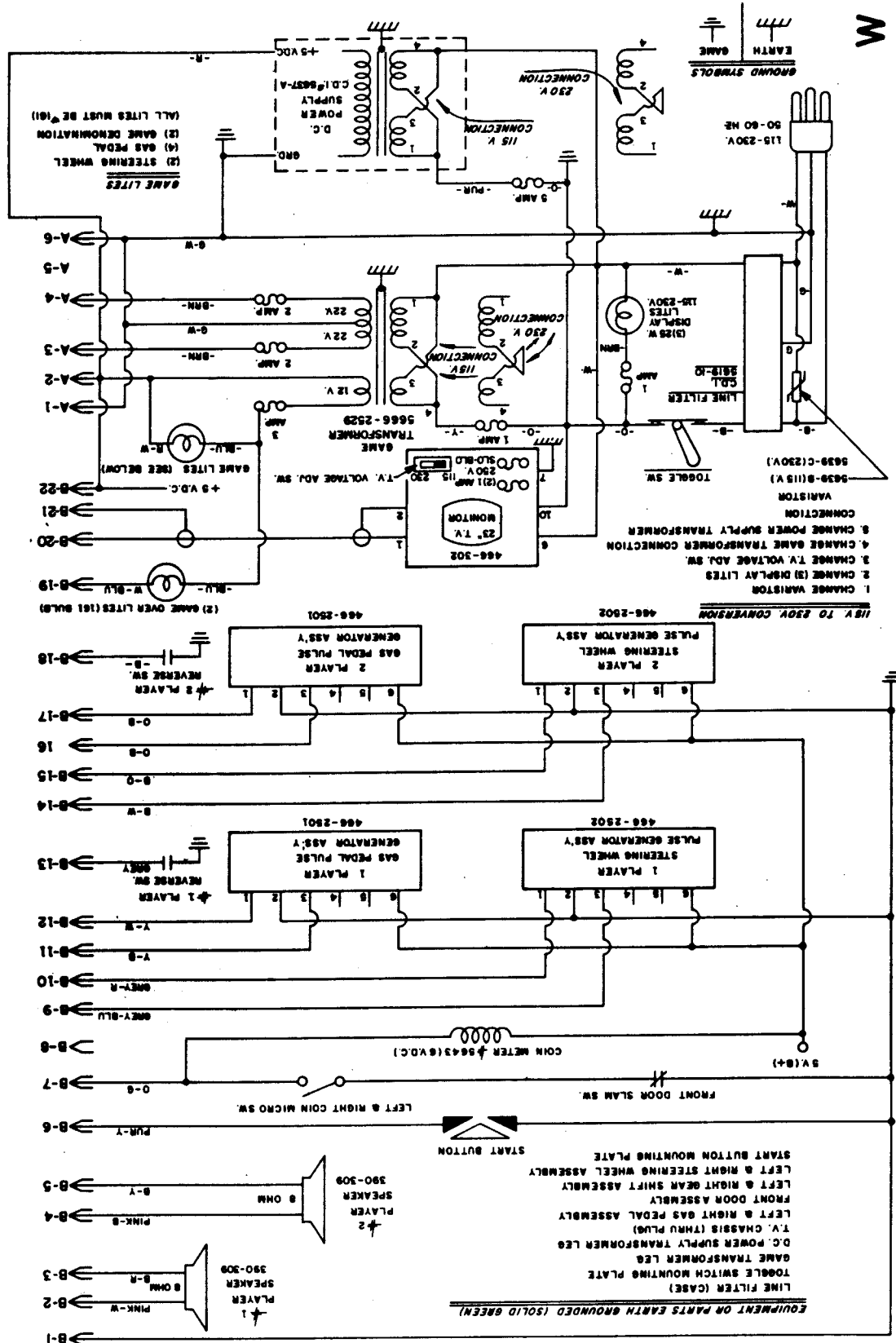


Z

SCHEMATIC FOR
466-2501
466-2502



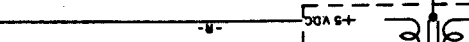
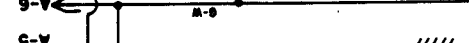
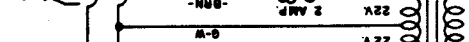
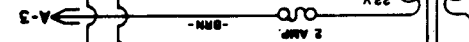
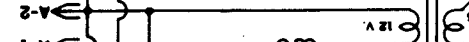
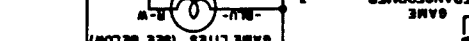
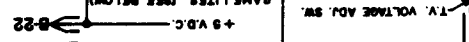
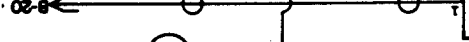
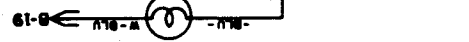
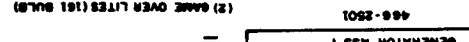
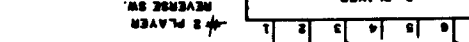
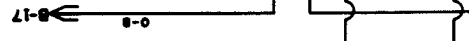
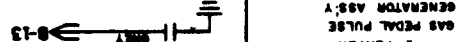
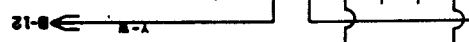
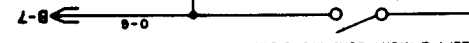
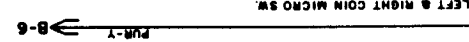
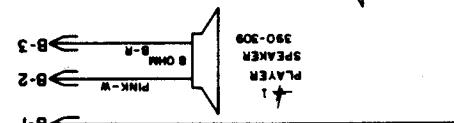
CHICAGO DYNAMIC INDUSTRIES, INC.
1725 DIVERSEY BLVD. CHICAGO



W

EQUIPMENT ON PARTS EARTH GROUNDED (SOLID GREEN)

- LINE FILTER (CASE)
- TOGGLE SWITCH MOUNTING PLATE
- GAME TRANSFORMER LEG
- D.C. POWER SUPPLY TRANSFORMER LEG
- T.V. CHASSIS (THRU PLUG)
- LEFT & RIGHT GAS PEDAL ASSEMBLY
- FRONT DOOR ASSEMBLY
- LEFT & RIGHT GEAR SHIFT ASSEMBLY
- LEFT & RIGHT STEERING WHEEL ASSEMBLY
- START BUTTON MOUNTING PLATE



74192	7404	7404	7432	7408	7432	7420	74193	74192	74161	74193
74192	74151	7404	7404	7404	74S112	74193	74192	7402	7407	82S 129-92
74152	74161	74S112	74S112	74S112	7432	7420	7420	7420	74S112	7400
74192	7408	7432	7404	7420	7432	74193	7420	74193	74S112	7408
7404	7400	7420	7486	7432	74193	74H21	74193	74193	74S112	7420
								7427	74193	7410
74174	82S 123-34	74193	74S112	7420	74193	74193	74193	7400	7408	74S112
74H21	74H11	74H21	7404	7410	82S 129-91	74192	74161	82S 129-92	7408	74S112
7432	74S112	74S112	74S112	74153	7486	7420	7432	74161	82S 123-35	7407
7442	7437	74157	7486	74153	74161	7400	7408	7404	74161	7410
						74161	74H11			82S 129-35
74166	74166	7408	82S 129-96	74153	74151	74193	7404	7420	7432	74193
74166	74166	7430	82S 129-95	74153	74161	82S 123-34	7486	7432	74193	7486
74166	74166	7400	82S 129-94	74153	74161	74174	74S112	7420	74193	74193
74166	74166	7408	82S 129-93	74H21	74H11	74H21	7404	7410	82S 129-91	74192
74166	74166	7437	7404	7432	74S112	74S112	74S112	74161	74161	7404
11	10	9	8	7	6	5	4	3	2	1

TRANSISTOR ASSEMBLY

00

2N3904

2N3904 2N3904
2N3906 2N3906

7407 U6 74S112 U5

74S112 U7

2N3904 2N3904
72748 U8
2N3904

2N3904

2N3904

2N3904
2N3904

444-501-A
LM380 U4

444-501-A
LM380 U3

444-501-A
LM380 U2

444-501-A
LM380 U1



2N6071B	74192 P	74192	7432	74157	74151	74192	7404
	74161 N	7402	7420	82S 123-33	74151	74192	74151
	7404 M	7400	7410	74151	74151	74152	74161
	7408 L	74S112	74S112	74S112	74151	74192	7408
	74S112 K	74S112	7407	7408	74161	7404	7400
	7404 J	74S112	7437	7420	74161	74174	82S 123-34
	74161 H	7437	74H21	7432	7404	74H21	74H11
	7402 G	7404	74H21	7402	74S112	7432	74S112
	74174 F	7432	7437	7427	74153	7442	7437
	7408 E	74H11	7400	7427	74174	74166	74166
	7437 D	7402	74S112	74S112	74157	74166	74166
	74S112 C	82S 123-31	82S 123-32	74S112	74174	74166	74166
	7404 B	74161	74161	7400	74157	74166	74166
	74161 A	74161	7408	74S200	74166	74166	74166
16	XTAL	15	14	13	12	11	10

01/50 .01/50 .01/50 .01/50 .01/50 .01/50 .01/50 .01/50 .01/50 .01/50

6.8/35 6.8/35
6.8/35 6.8/35 6.8/35
6.8/35 6.8/35 6.8/35 6.8/35
6.8/35 6.8/35 6.8/35

01/50
6.8/35 6.8/35

01/50
6.8/35
6.8/35

6.8/35

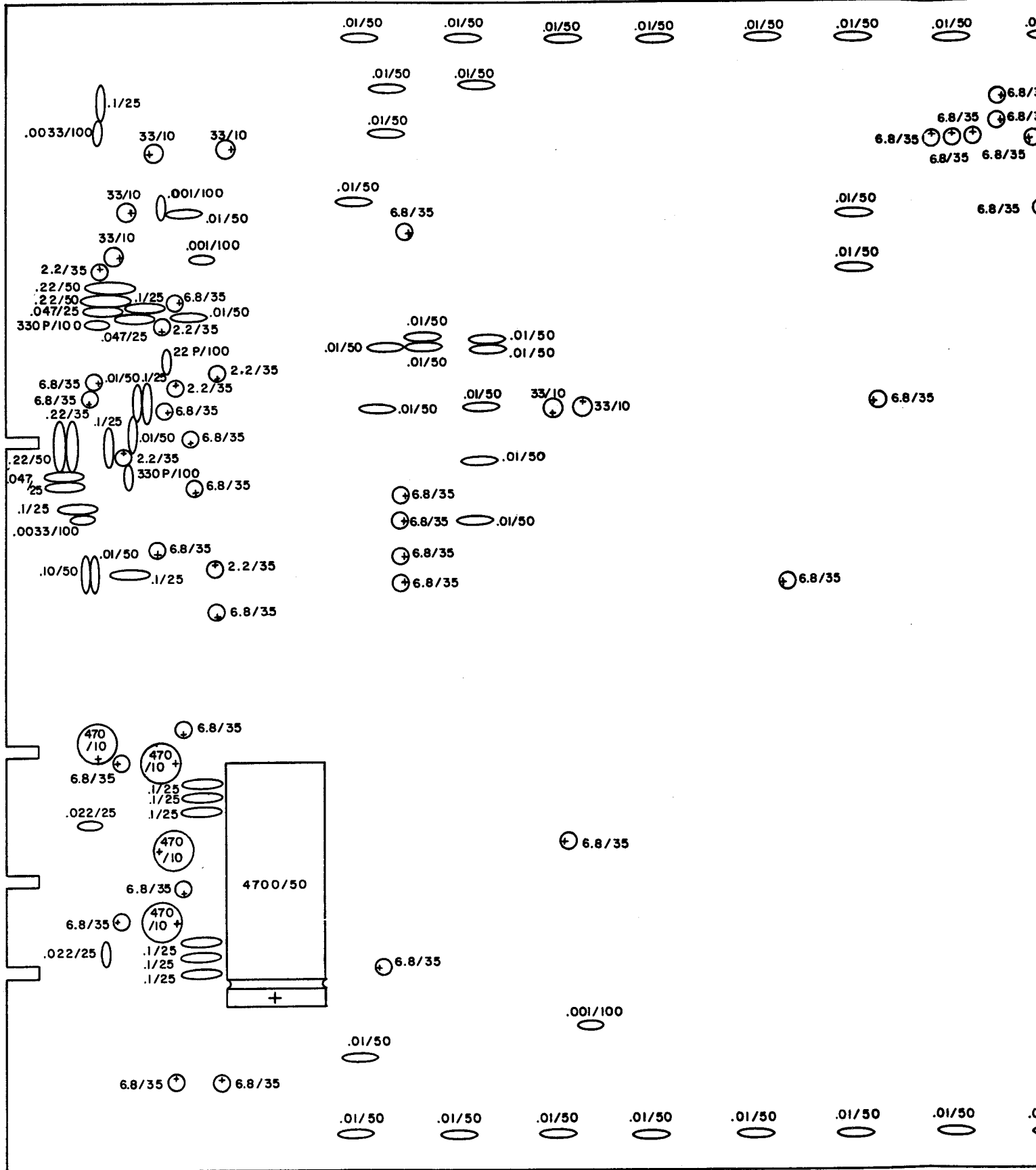
6.8/35 6.8/35

6.8/35

6.8/35

01/50 .01/50 .01/50 .01/50 .01/50 .01/50 .01/50 .01/50 .01/50 .01/50

CAPACITOR ASSEMBLY
500



GAME BOARD CAPACITOR ASSEMBLY
466-2500