

This document has been downloaded from:



The largest resource for amusement machines
documentation on the world wide web!

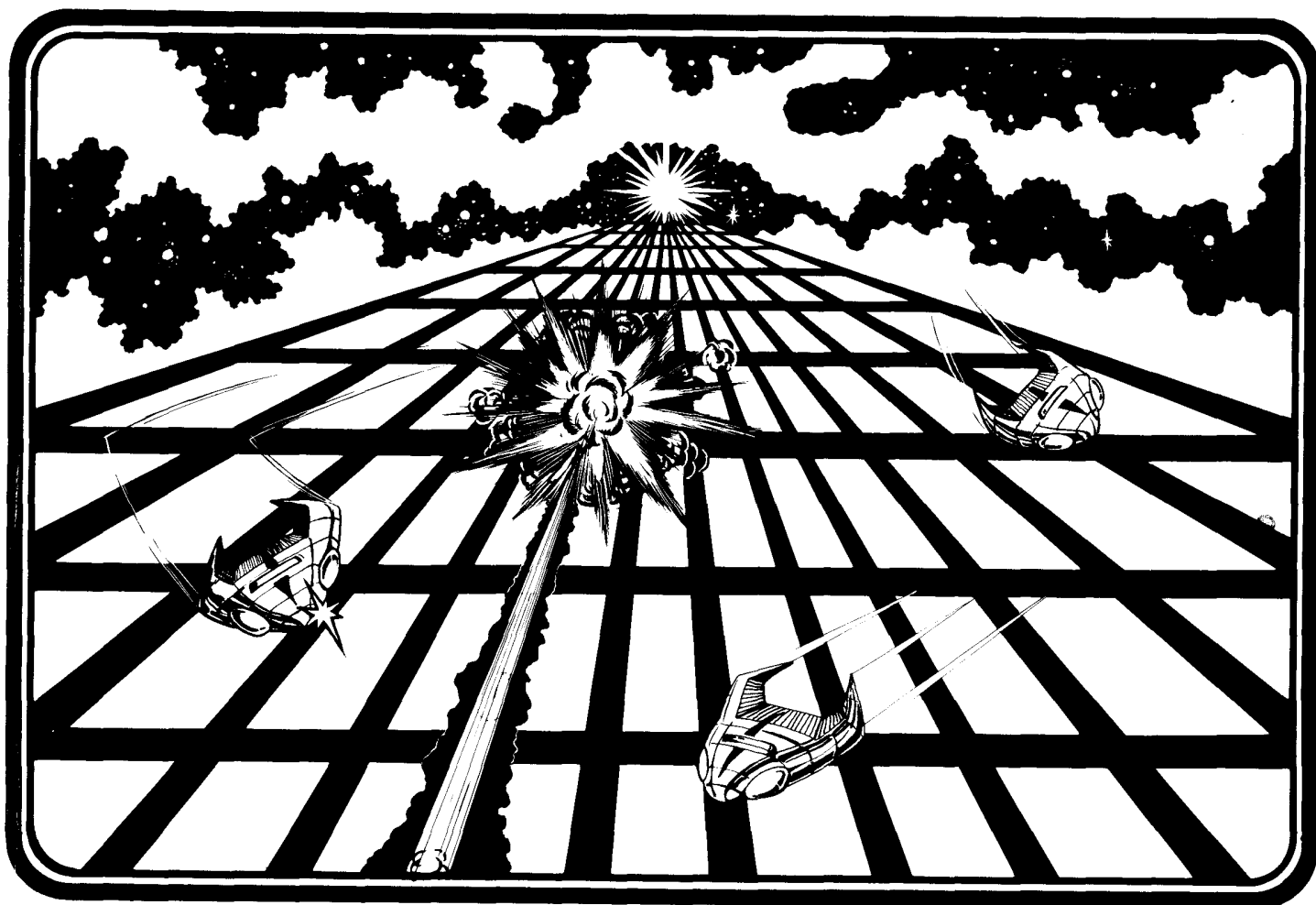


FLIPPERSPILL.COM

COSMIC SERIES

DEVILZONE

Operation, Maintenance
and
Service Manual



UNIVERSAL

CONTENTS

I. Features of this machine	1
II. How to handle and maintain this machine.	2
III. How to play	3
IV. Various optional settings.	4
A. Positions of dip switches	4
B. Setting the option (dip switches)	4
C. Volume controller knob	5
V. TV monitor.	5
A. Adjustment of TV picture screen	5
VI. Upright type parts catalog	6
A. Component parts related to cabinet (outside)	6
B. Drawing of circuit board mounting positions	7
C. Fuses	7
D. Component parts related to cabinet (inside)	8
a) Operating panel assembly	8
b) Door assembly and parts list	9
c) Lever assembly and parts list	10
E. Component parts related to switches in the cabinet	11
VII. Table type parts catalog	12
A. Component parts related to cabinet (outside)	12
B. Component parts related to cabinet (inside)	13
a) Inside cabinet	13
b) Fuses	14
c) Operating panel assembly	14
VIII. Circuit board	15
A. Circuit board IC location and parts list	15
a) Main circuit board IC location and parts list	15
b) Sub-circuit board (1) 8013-V1 IC location and parts list	16
c) Sound circuit board IC location and parts list	17
d) Sub-circuit board (2) IC location and parts list	19
Sub-circuit board (2) block diagram	20
Wiring diagram (connector)	21
Sound block diagram	22
Power source block diagram	22
Block diagram	22
Schematic diagram (20" color)	23
Schematic diagram (14" color)	24
Main block diagram	25, 26
Postface	27

REFERENCE DRAWING

Fig. 1	Positions of Dip Switches	4
Fig. 2	Position of Volume Controller Knob	5
Fig. 3	Component Parts Related to Cabinet (Outside)	6
Fig. 4	Circuit Board Mounting Positions	7
Fig. 5	Side View of Circuit Board Mounting Positions	7
Fig. 6	Fuses in the Power Source Unit	7
Fig. 7	Fuses in the Power Circuit Board	7
Fig. 8	Component Parts Related to Cabinet (Inside)	8
Fig. 9	Operating Panel Assembly	8
Fig. 10	Inside View of Door Assembly	9
Fig. 11	Lever Assembly	10
Fig. 12	Component Parts Related to Switches in the Cabinet	11
Fig. 13	Component Parts Related to Cabinet (Outside)	12
Fig. 14	Component Parts Related to Cabinet (Inside)	13
Fig. 15	Fuses in the Power Source Unit	14
Fig. 16	Fuses in the Power Circuit Board	14
Fig. 17	Operating Panel Assembly	14
Fig. 18	Main Circuit Board	15
Fig. 19	Sub-circuit Board (1) 8013-V1	16
Fig. 20	Sound Circuit Board	17
Fig. 21	Sub-circuit Board (2)	19

— WHEN ORDERING PARTS —

Since each component part is indicated by block, definitely specify both the corresponding Fig. No. and part No. within the Fig. when placing an order for it.

I. FEATURES OF THIS MACHINE

1. The game packs in excellent features capturing the hearts of players.
2. The lever control system is simple to handle.
3. At the flick of a dip switch, you can select among extended play, the number of LASER SHIPs and time of appearance of an additional LASER SHIP, etc.
4. High score for the day is always displayed on the screen.
5. Finely disigned cabinet and fascinating acoustic effects.
6. The 6 highest scorers can register their name on the screen.

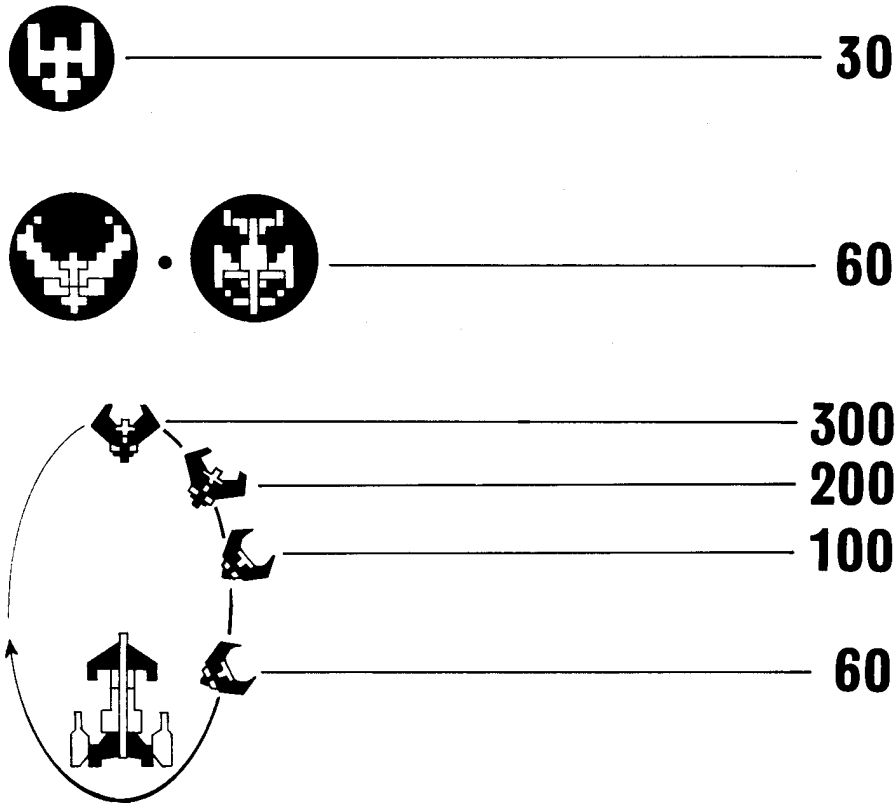
II. HOW TO HANDLE AND MAINTAIN THIS MACHINE

1. Since the UNIVERSAL's DEVIL ZONE employs a color TV receiving set, be careful not to shake it during transit and when carrying it about.
2. Install it at a location which is not exposed to direct sunlight. In order to prevent the inside temperature rising, avoid as much as possible a location near a heater, etc.
3. Since the grounding terminal is visible, be sure to connect it to a grounding conductor.
4. Insert the power cord into the outlet and turn on the switch.
5. Even if the solid-state module seems to be out of order, do not check the circuit by means of a circuit tester, etc., since the internal voltage of the tester, etc. may sometimes break down the IC.
6. Make sure the machine is well ventiated. If the temperature of the IC and transistor is lower than 60°C, the function normally and may be considered reliable. If it exceeds 60°C, their performance cannot be guaranteed.
7. Make sure that the connector, etc. is not disconnected.
8. Whenever connecting the power cord of the solid-state module to, or disconnecting it from, the outlet, be sure to turn the power off.
9. Although the products of UNIVERSAL are manufactured with the utmost care, they may develop malfunctions when used for long periods. So, be sure to chek this machine daily.

III. HOW TO PLAY

1. A fleet of space devils floating in the far away space. They will come flying in a four-plane formation to assault you. Destroy them by using your fire beam gun while dodging their missiles or dash.
2. When the last plane of the four-plane formation began assaulting while turning, destroy it at as remote a position as possible, and you can score high points.
3. Scoring 3,000 pts awards another spaceship.
4. The 6 highest scorers can register their name on the screen after the end of the game. By working the lever move the cursor until it reaches under either of the alphabets, numerals and symbols aimed at, and drive it in place by using the fire button.

SCORE



IV. VARIOUS OPTIONAL SETTINGS (1-way, 2-way common version)

A. POSITIONS OF DIP SWITCHES

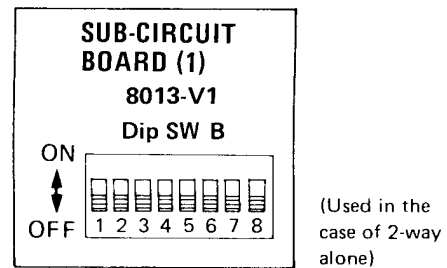
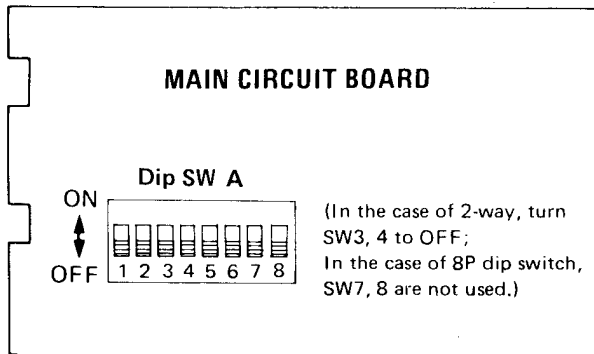


Fig. 1 Positions of Dip Switches

B. SETTING THE OPTION (DIP SWITCHES)

[Dip Switches A]

1. Change-over setting of the mode of game (SW1)

Style	SW1
Table	OFF
Upright	ON

2. Setting the number of LASER SHIPS for game (SW2)

Number of LASER SHIPS	SW2
2 Ships	ON
3 Ships	OFF

3. Setting the game charge (Coin & Credit) (SW3, 4)

Coin, Credit	SW3	SW4
1 Coin 1 Credit	ON	ON
1 Coin 2 Credits	OFF	ON
2 Coins 1 Credit	ON	OFF
Set by using Dip SW B for 2-way chute	OFF	OFF

4. Setting the required score for an additional LASER SHIP (SW5, 6)

Score for Extra	SW5	SW6
2000 points	ON	OFF
3000 points	OFF	ON
5000 points	OFF	OFF
No extra	ON	ON

[Dip Switches B]

* Used in the case of 2-way chute alone. At that time, be sure to turn SW3, 4 of Dip Switches A to OFF.

a. Right chute (SW1, 2, 3, 4)

Coin	Credit	SW1	SW2	SW3	SW4
1	1	OFF	OFF	OFF	OFF
1	2	OFF	OFF	OFF	ON
1	3	OFF	OFF	ON	OFF
1	4	OFF	OFF	ON	ON
1	5	OFF	ON	OFF	OFF
2	1	OFF	ON	OFF	ON
2	2	OFF	ON	ON	OFF
2	3	OFF	ON	ON	ON
3	1	ON	OFF	OFF	OFF
3	2	ON	OFF	OFF	ON
3	3	ON	OFF	ON	OFF
3	4	ON	OFF	ON	ON
4	1	ON	ON	OFF	OFF
4	2	ON	ON	OFF	ON
4	3	ON	ON	ON	OFF
4	4	ON	ON	ON	ON

b. Left chute (SW5, 6, 7, 8)

Coin	Credit	SW5	SW6	SW7	SW8
1	1	OFF	OFF	OFF	OFF
1	2	OFF	OFF	OFF	ON
1	3	OFF	OFF	ON	OFF
1	4	OFF	OFF	ON	ON
1	5	OFF	ON	OFF	OFF
2	1	OFF	ON	OFF	ON
2	2	OFF	ON	ON	OFF
2	3	OFF	ON	ON	ON
3	1	ON	OFF	OFF	OFF
3	2	ON	OFF	OFF	ON
3	3	ON	OFF	ON	OFF
3	4	ON	OFF	ON	ON
4	1	ON	ON	OFF	OFF
4	2	ON	ON	OFF	ON
4	3	ON	ON	ON	OFF
4	4	ON	ON	ON	ON

UPRIGHT TYPE

This documentation provides standard information.
Universal reserves the right to change without notice.

VI. UPRIGHT TYPE PARTS CATALOG

A. COMPONENT PARTS RELATED TO CABINET (OUTSIDE)

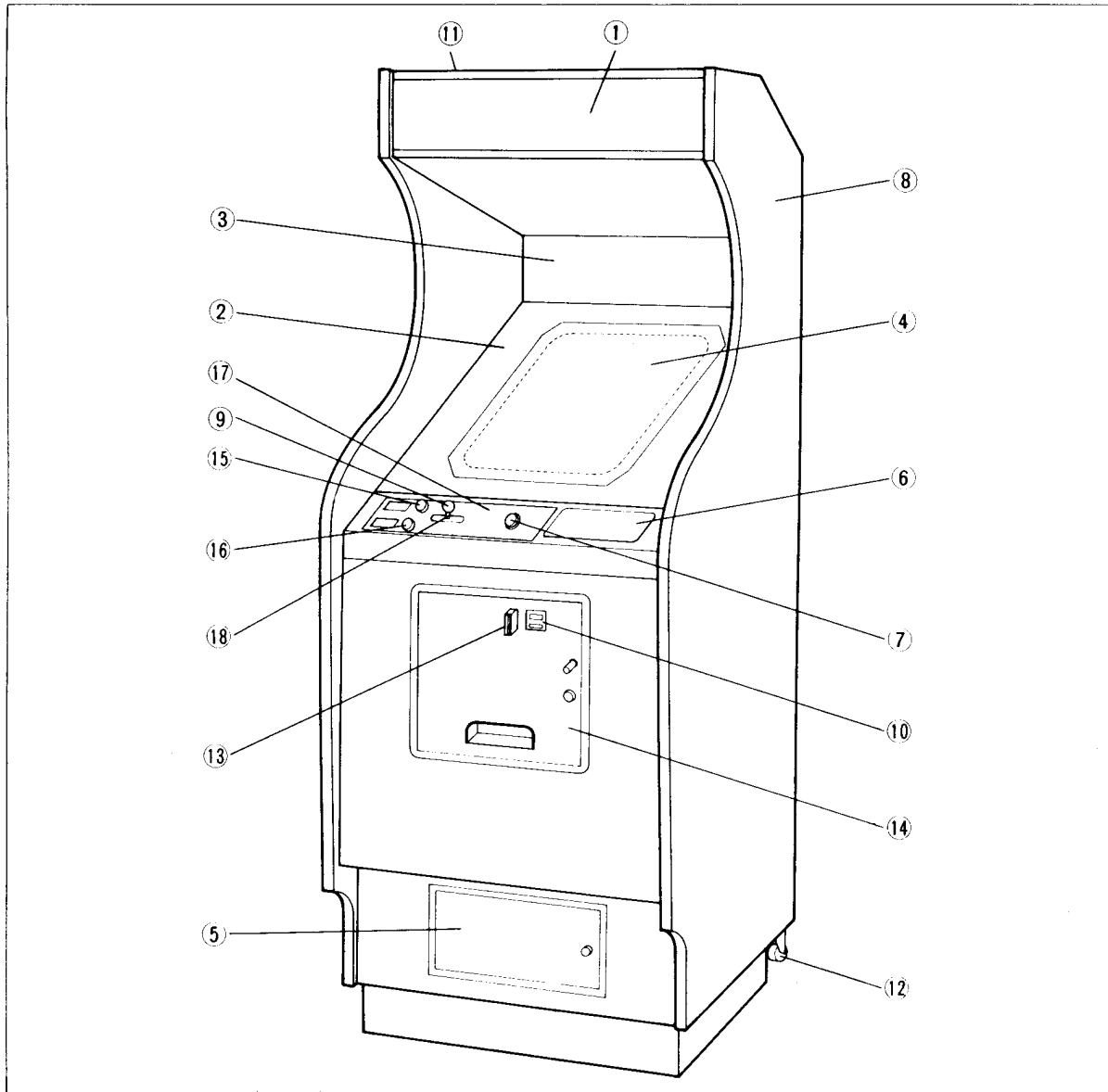


Fig. 3 Component Parts Related to Cabinet (Outside)

OUTSIDE CABINET PARTS LIST

Ref. No.	Name	Ref. No.	Name
1	Title panel	11	Title panel fixture
2	Illustrated glass A	12	Caster
3	Illustrated glass B	13	Coin slot
4	CRT	14	Main door
5	Cash box door	15	Push button (1 player)
6	Sticker for game rules	16	Push button (2 players)
7	Push button (Fire)	17	Operating indication panel
8	Cabinet proper	18	Control lever (general name)
9	Knob 32-Dim.		
10	Coin indication panel		

B. DRAWING OF CIRCUIT BOARD MOUNTING POSITIONS

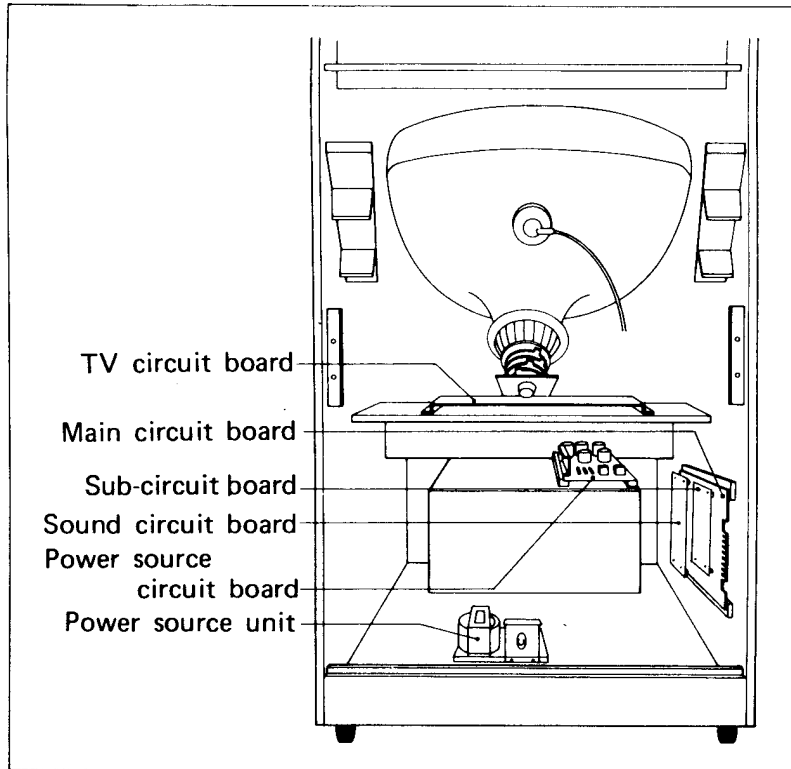


Fig. 4 Circuit Board Mounting Positions

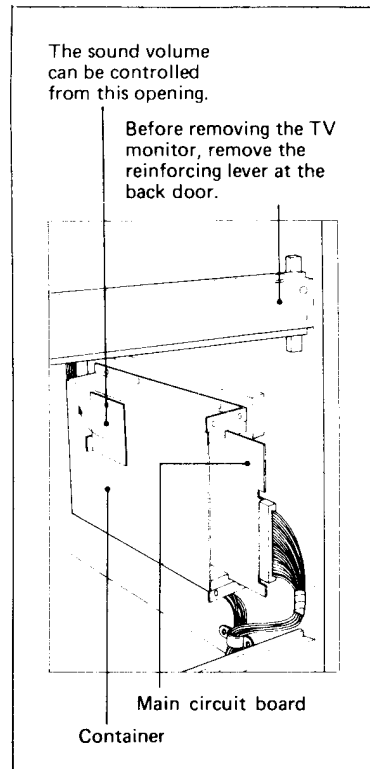


Fig. 5 Side View of Circuit Board Mounting Positions

C. FUSES

Fuses in the power source unit

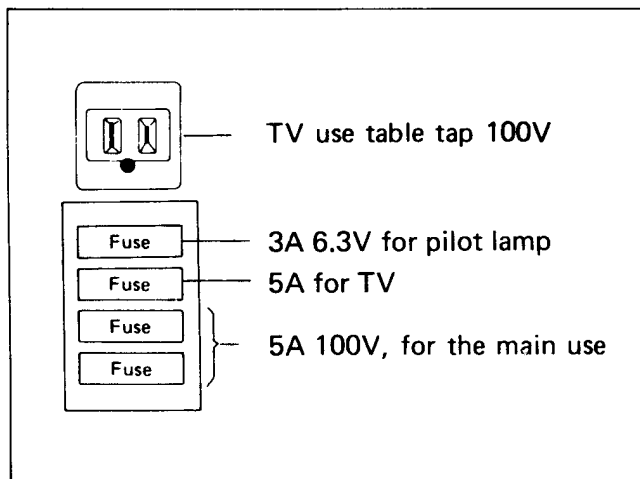


Fig. 6 Fuses in the Power Source Unit

Fuses in the power circuit board

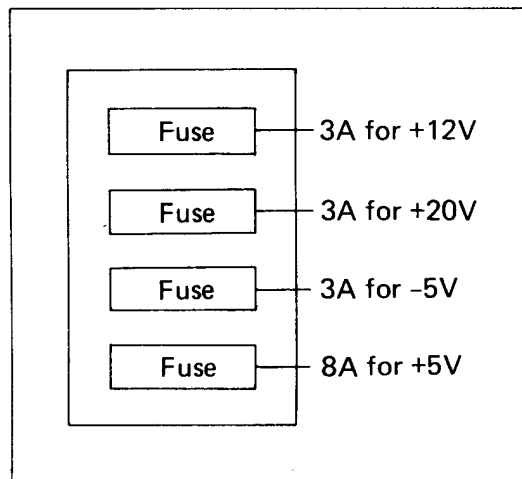


Fig. 7 Fuses in the Power Circuit Board

D. COMPONENT PARTS RELATED TO CABINET (INSIDE)

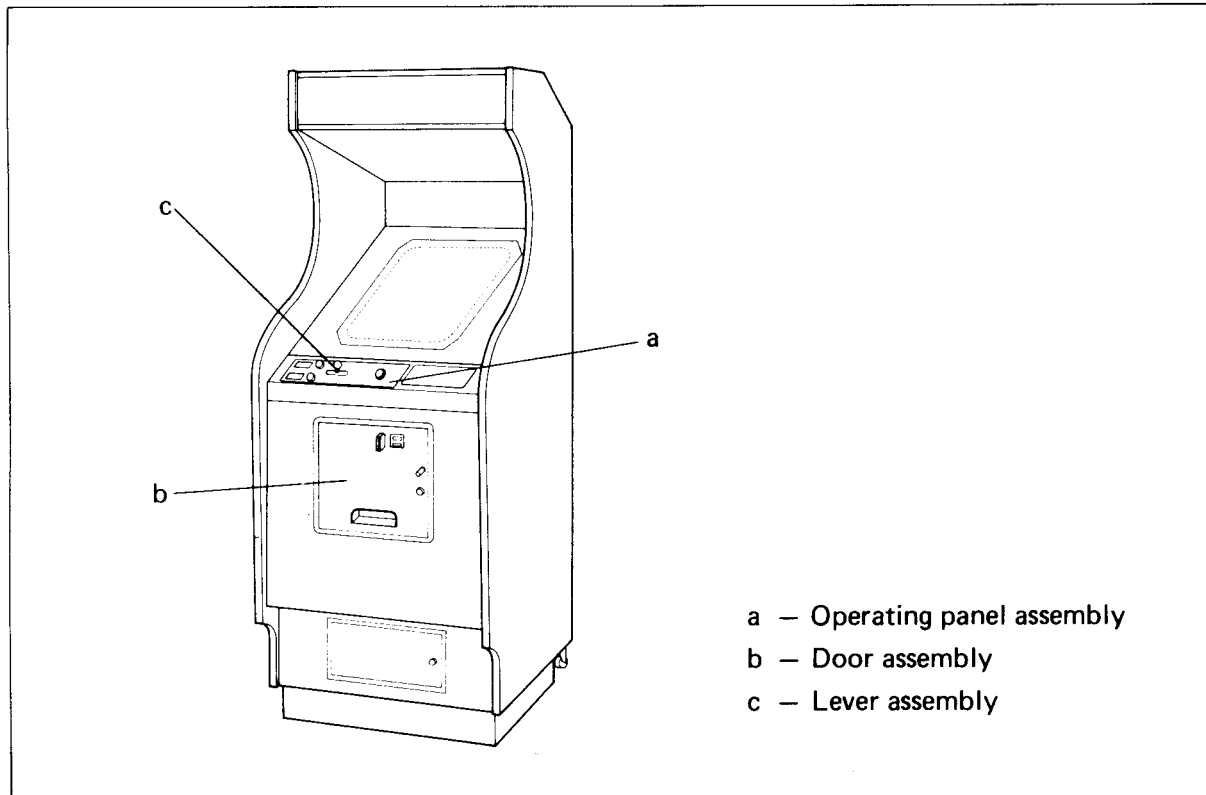


Fig. 8 Component Parts Related to Cabinet (Inside)

a) Operating panel assembly

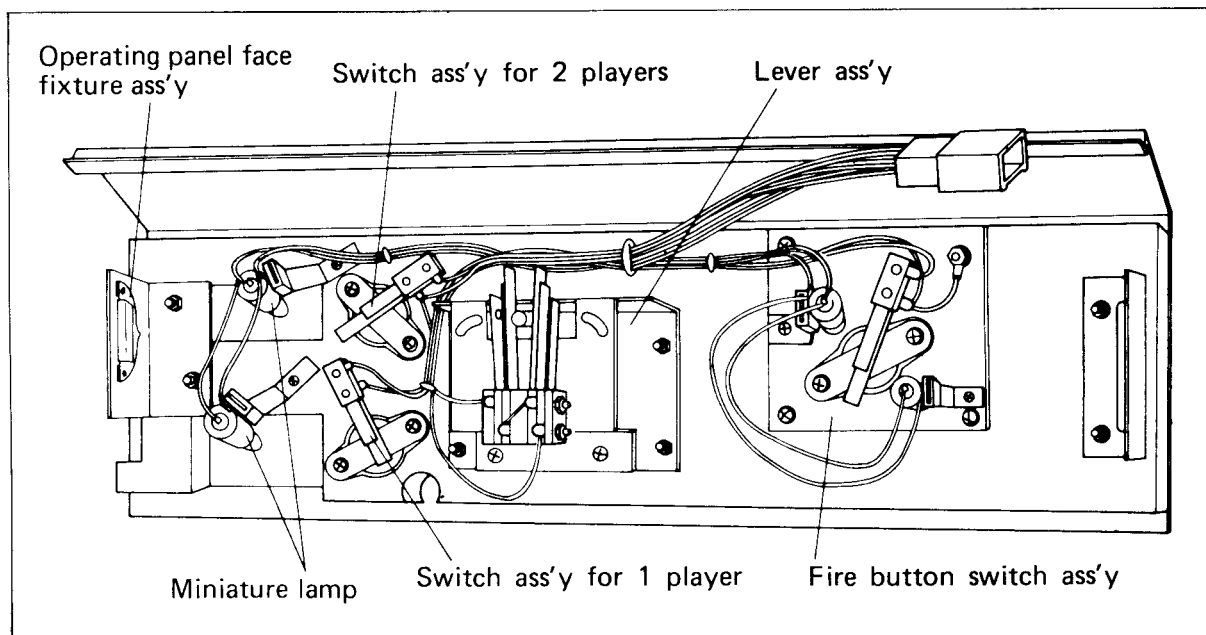


Fig. 9 Operating Panel Assembly

b) Door assembly and parts list

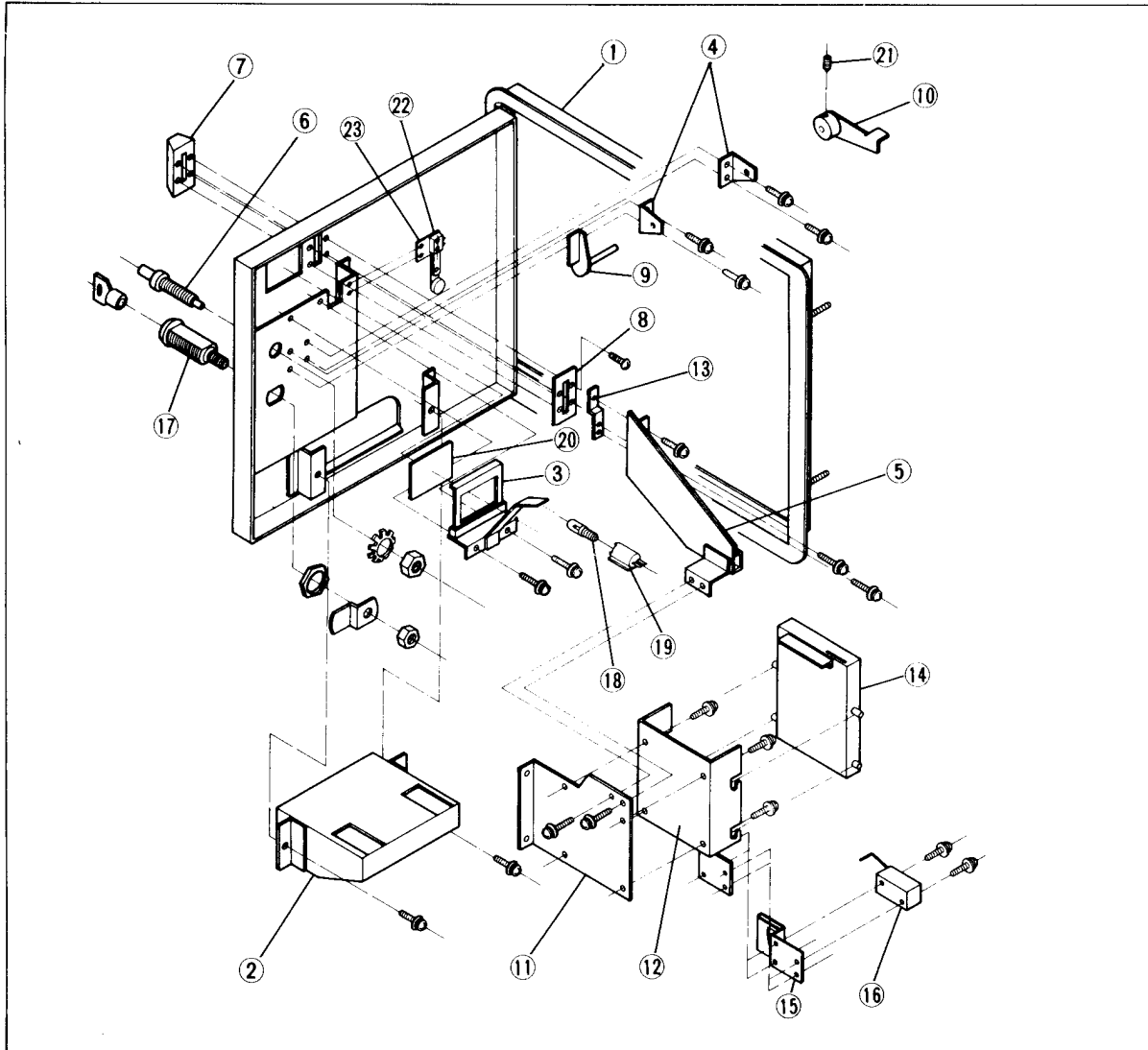


Fig. 10 Inside View of Door Assembly

DOOR ASSEMBLY PARTS LIST

Ref. No.	Name	Ref. No.	Name
1	Main door	13	Coin slot shute holder
2	Returning soucer	14	Rejector
3	Lamp & plastic plate bracket	15	Sensor slot
4	Rearing	16	Micro switch
5	Coin slot shute	17	Key sets
6	Returning button	18	Miniature lamp
7	Coin slot	19	Miniature lamp socket
8	Slot plate	20	Coin indication panel
9	Transmission shaft	21	Hexagon socket head screw
10	Rotary bracket	22	Slam switch
11	Rejector bracket	23	Slam switch holder
12	Rejector case		

c) Lever assembly and parts list

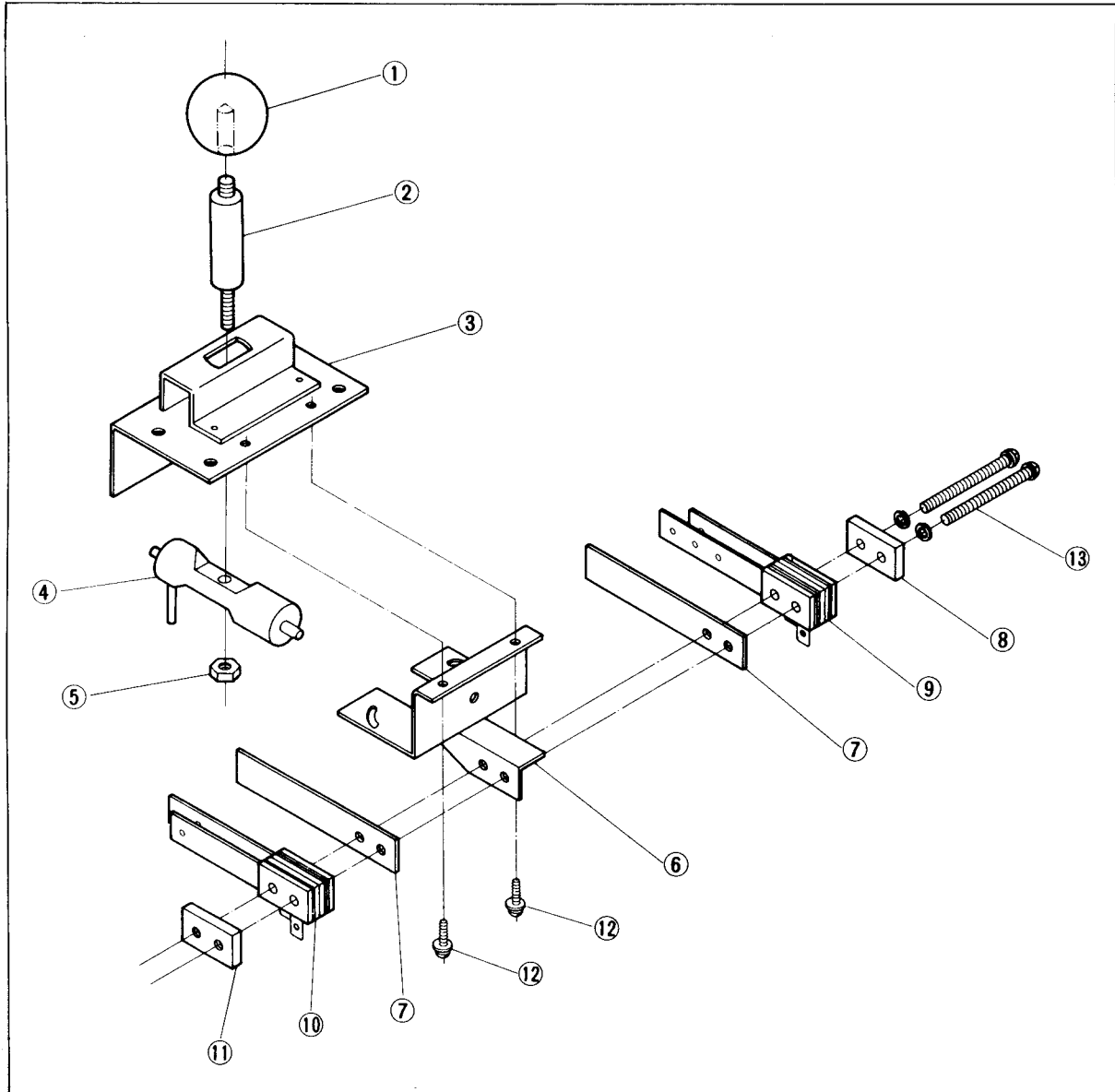


Fig. 11 Lever Assembly

LEVER ASSEMBLY PARTS LIST

Ref. No.	Name	Ref. No.	Name
1	Knob 32-Dim.	8	Spring holder
2	Lever shaft	9	Blades switch
3	Lever guide & stopper	10	Blades switch
4	Transmission bar	11	Spring holder with nut
5	Nut with stopper	12	Bolt
6	Switch bracket	13	Bolt
7	Spring		

E. COMPONENT PARTS RELATED TO SWITCHES IN THE CABINET

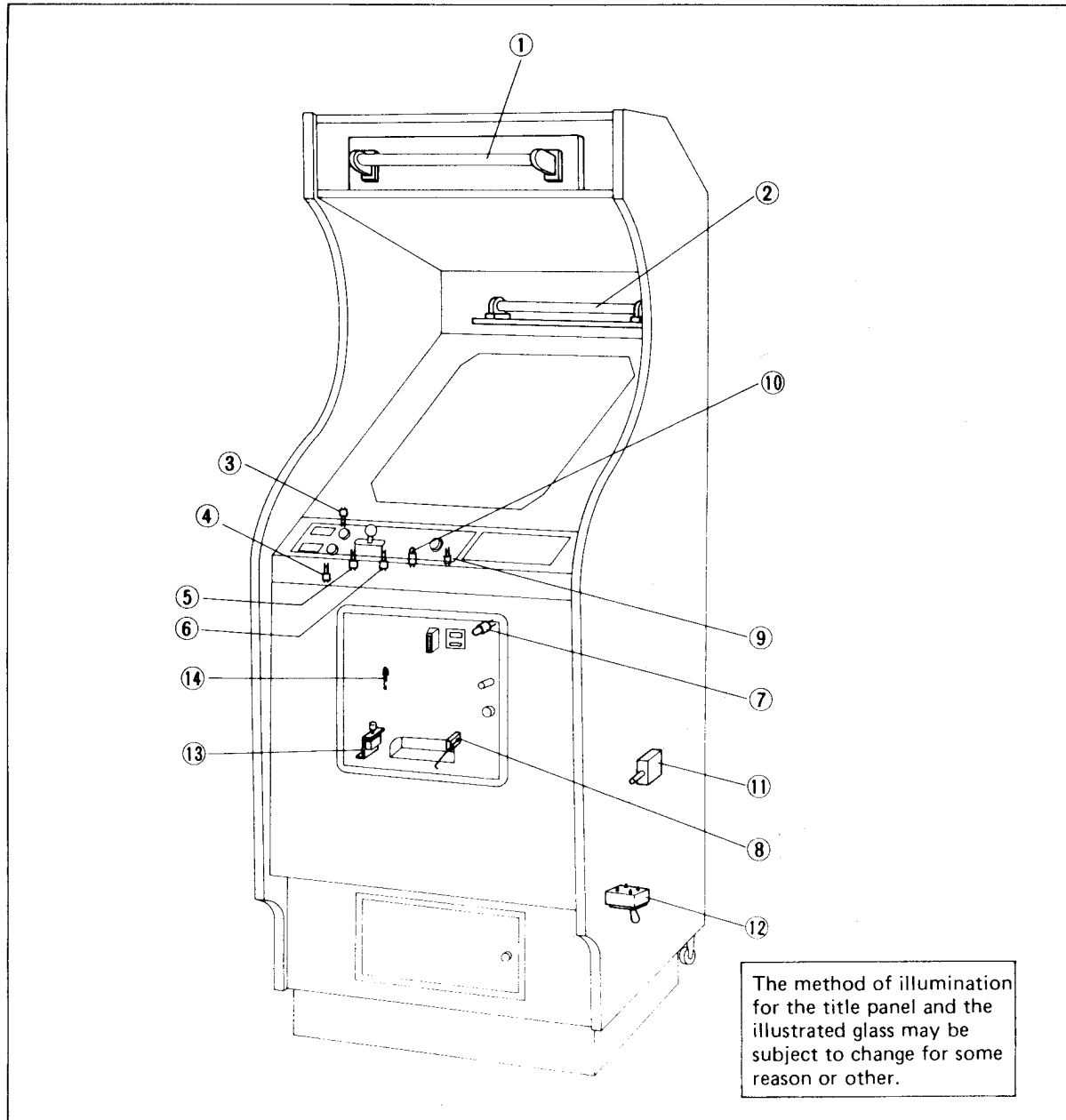


Fig. 12 Component Parts Related to Switches in the Cabinet

INSIDE CABINET PARTS LIST

Ref. No.	Name	Ref. No.	Name
1	Fluorscent lamp assembly	8	Micro switch
2	Fluorscent lamp assembly	9	Blades switch
3	Blades switch	10	Miniature lamp assembly
4	Blades switch	11	Door switch
5	Blades switch	12	Toggle switch
6	Blades switch	13	Micro switch
7	Miniature lamp assembly	14	Slam switch

TABLE TYPE

This documentation provides standard information.
Universal reserves the right to change without notice.

VII. TABLE TYPE PARTS CATALOG

A. COMPONENT PARTS RELATED TO CABINET (OUTSIDE)

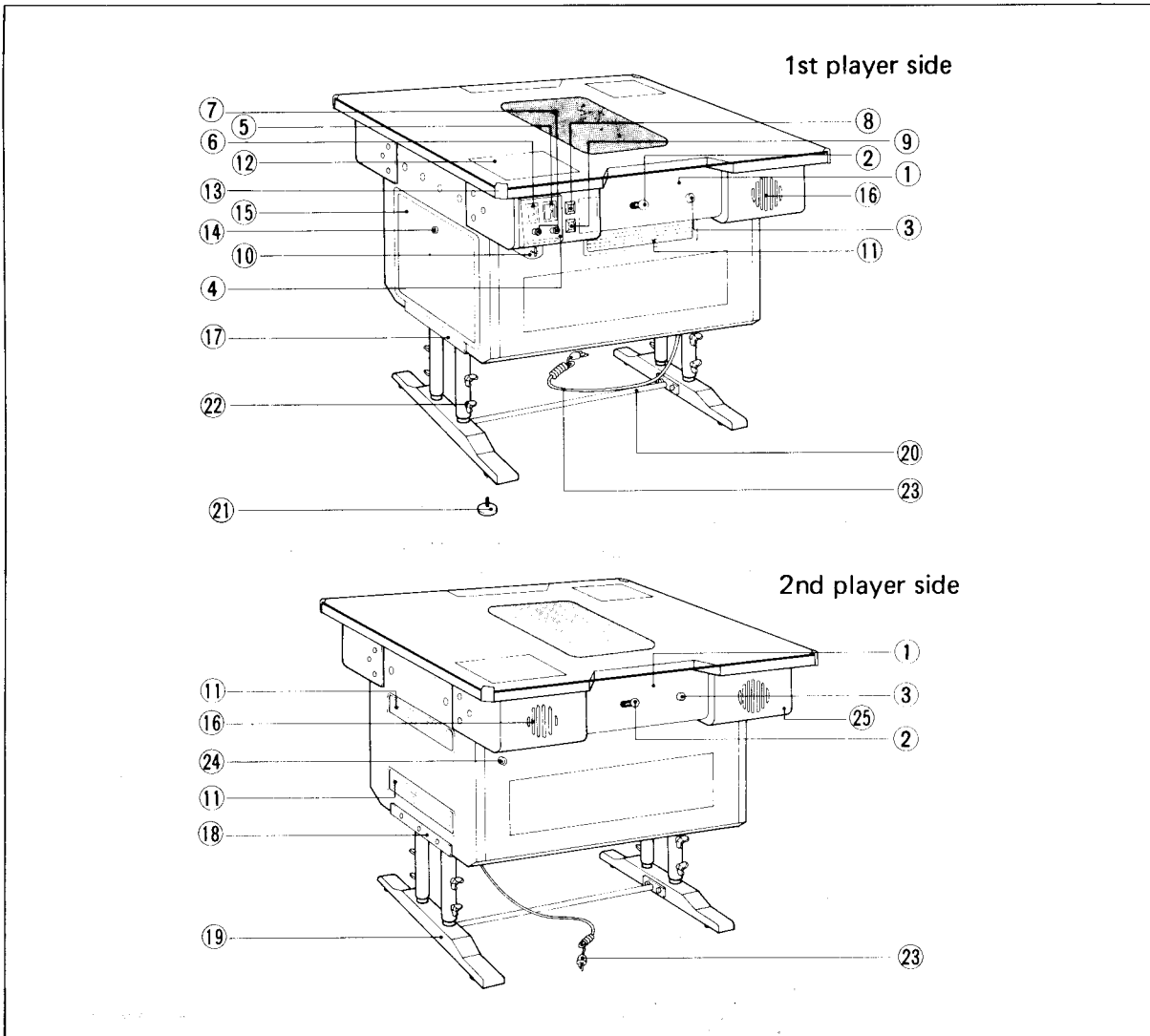


Fig. 13 Component Parts Related to Cabinet (Outside)

OUTSIDE CABINET PARTS LIST

Ref. No.	Name	Ref. No.	Name
1	Operating indication illustrated panel	13	Glass fittings
2	Control lever	14	Cash box door key
3	FIRE button	15	Cash box door
4	Coin slot frame	16	Speaker (x2)
5	Selector plate (1)	17	Leg (left)
6	Selector plate (2) [not used in case of 1-way]	18	Leg (right)
7	Cancel button	19	Foot
8	Push button ass'y (for 1 player)	20	Foot support
9	Push button ass'y (for 2 players)	21	Leg adjuster
10	Cancel coin receptacle	22	Thumbscrew (x8)
11	Ventilating panel (x3)	23	Power cord (AC)
12	Sticker for game rules (x2)	24	Door key
		25	Cabinet corner box

B. COMPONENT PARTS RELATED TO CABINET (INSIDE)

a) Inside cabinet

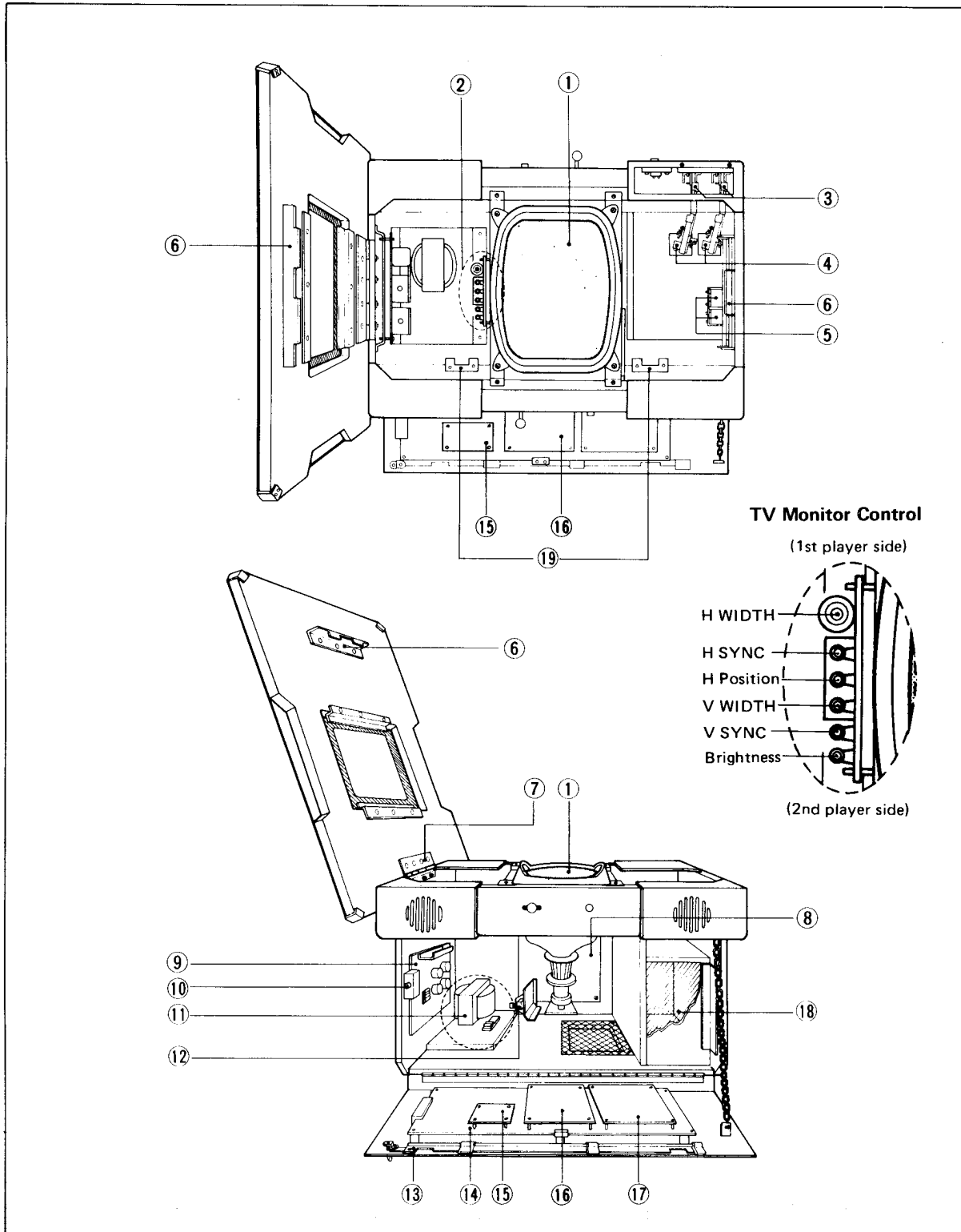


Fig. 14 Component Parts Related to Cabinet (Inside)

INSIDE CABINET PARTS LIST

Ref. No.	Name	Ref. No.	Name
1	CRT (14" color)	11	Power source unit
2	TV monitor control	12	Demagnetization switch
3	Rejector ass'y	13	Door lock ass'y
4	Coin micro switch	14	Main circuit board
5	Coin counter	15	Sub-circuit board (1) 8013-V1
6	Table lock mechanism ass'y	16	Sub-circuit board (2)
7	Butterfly plate ass'y	17	Sound circuit board
8	TV monitor circuit board	18	Cash box
9	Power source circuit board	19	Metal door fixture
10	Door switch		

b) Fuses

Fuses in the power source unit

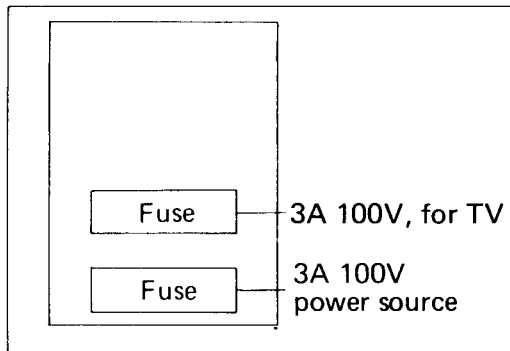


Fig. 15 Fuses in the Power Source Unit

Fuses in the power circuit board

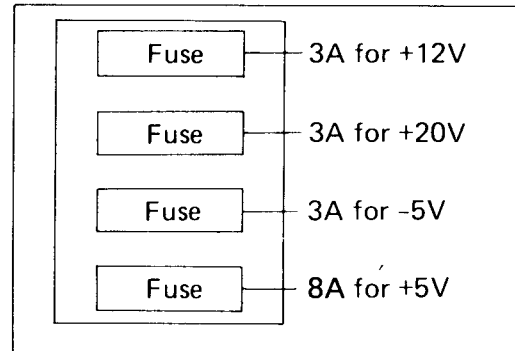


Fig. 16 Fuses in the Power Circuit Board

c) Operating panel assembly

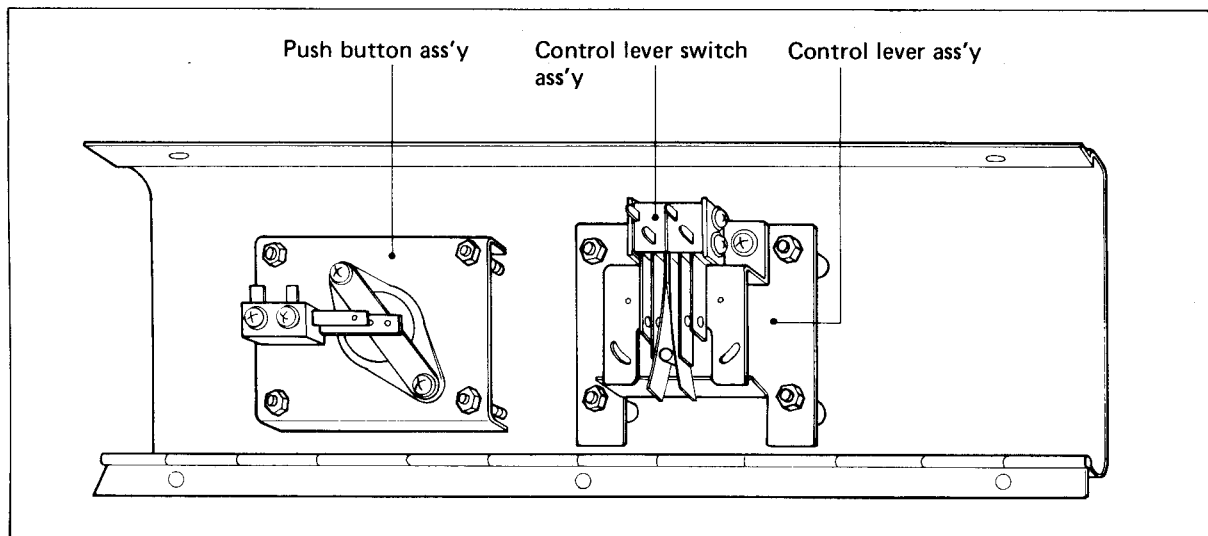


Fig. 17 Operating Panel Assembly

VIII. CIRCUIT BOARD

A. CIRCUIT BOARD IC LOCATION AND PARTS LIST

a) Main circuit board IC location and parts list

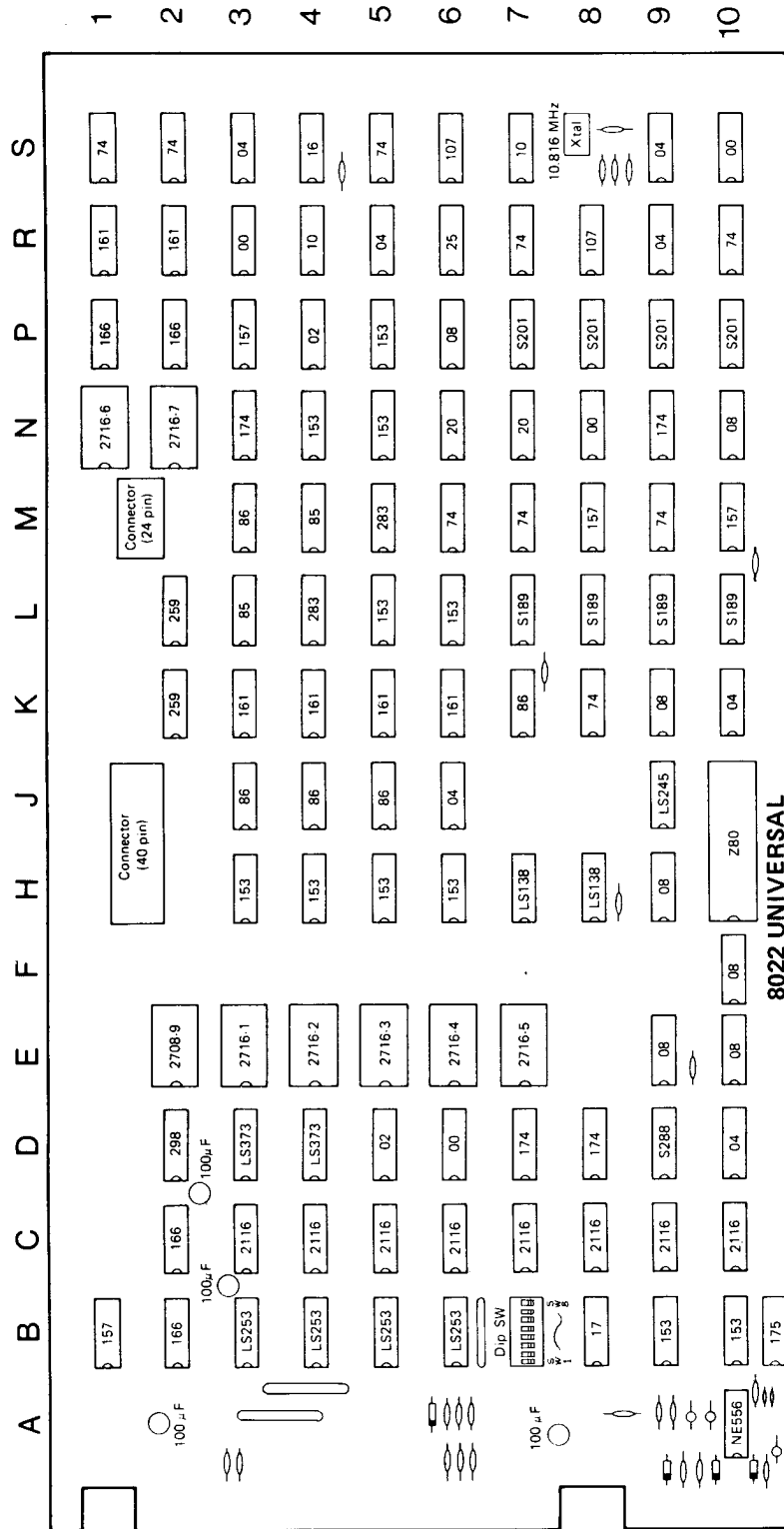


Fig. 18 Main Circuit Board

[1] Integrated Circuit

Item No.	Q'ty	Description
7400N	4	Transistor Logic
7402N	2	"
7404N	7	"
7408N	7	"
7410N	2	"
7416N	1	"
7417N	1	"
7420N	2	"
7425N	1	"
7474N	9	"
7485N	2	"
7486N	5	"
74107N	2	"
74S138N	2	"
74153N	11	"
74157N	4	"
74161N	6	"
74166N	4	"
74174N	4	"
74175N	1	"
74S189N	4	64 bits Bipolar RAM
74S201N	4	256 bits Bipolar RAM
74LS245N	1	Transistor Logic
74LS253N	4	"
74259N	2	"
74283N	1	"
74S288N	1	256 bits Bipolar ROM
74298N	1	Transistor Logic
74LS373N	2	"
2116	8	Nch MOS 16K bits Dynamic RAM
2708	1	Nch MOS 8K bits EPROM

Item No.	Q'ty	Description
2716	8	Nch MOS 16K bits EPROM
Z80	1	Nch MOS CPU
NE556	1	Transistor Logic

[2] Other Semiconductor Devices

Item No.	Q'ty	Description
10D1	4	Diode

[3] Capacitors

Rating	Q'ty	Description
100PF/12V	1	Ceramic Capacitor
150PF/12V	1	"
0.1μF/12V	55	"
1μF/50V	1	Chemical Capacitor
10μF/16V	2	"
100μF/25V	4	"

[4] Resistors

Rating	Q'ty	Description
MS1028AM	3	1KΩ Resistor Array
10Ω 1/4W	3	Carbon Solid Resistor
47Ω "	3	"
270Ω "	3	"
330Ω "	1	"
510Ω "	3	"
1KΩ "	8	"
4.7KΩ "	1	"
47KΩ "	2	"

[5] Misc

Name	Q'ty	Description
Dip SW	1	8 Elements Switch Array
X'-tal	1	10.816MHz

b) Sub-circuit board (1) 8013-V1 IC location and parts list

(Used in the case of 2-way alone)

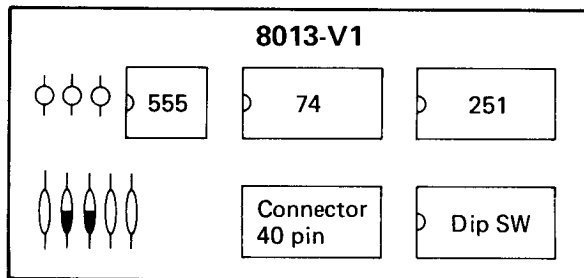


Fig. 19 Sub-circuit Board (1) 8013-V1

[1] Integrated Circuit

Item No.	Q'ty	Description
7474N	1	Transistor Logic
74251N	1	"
NE555	1	Timer

[2] Other Semi Conductor Devices

Item No.	Q'ty	Description
10D1	2	Diode

[3] Capacitors

Rating	Q'ty	Description
0.1μF/12V	4	Ceramic Capacitor
1μF/50V	1	Chemical Capacitor

[4] Resistors

Rating	Q'ty	Description
MS1028AM	1	1kΩ Resistor Array
47Ω	1	Carbon Solid Resistor
1kΩ	1	"
47kΩ	1	"

[5] Misc

Name	Q'ty	Description
Dip SW	1	8 elements Switch Array

c) Sound circuit board IC location and parts list

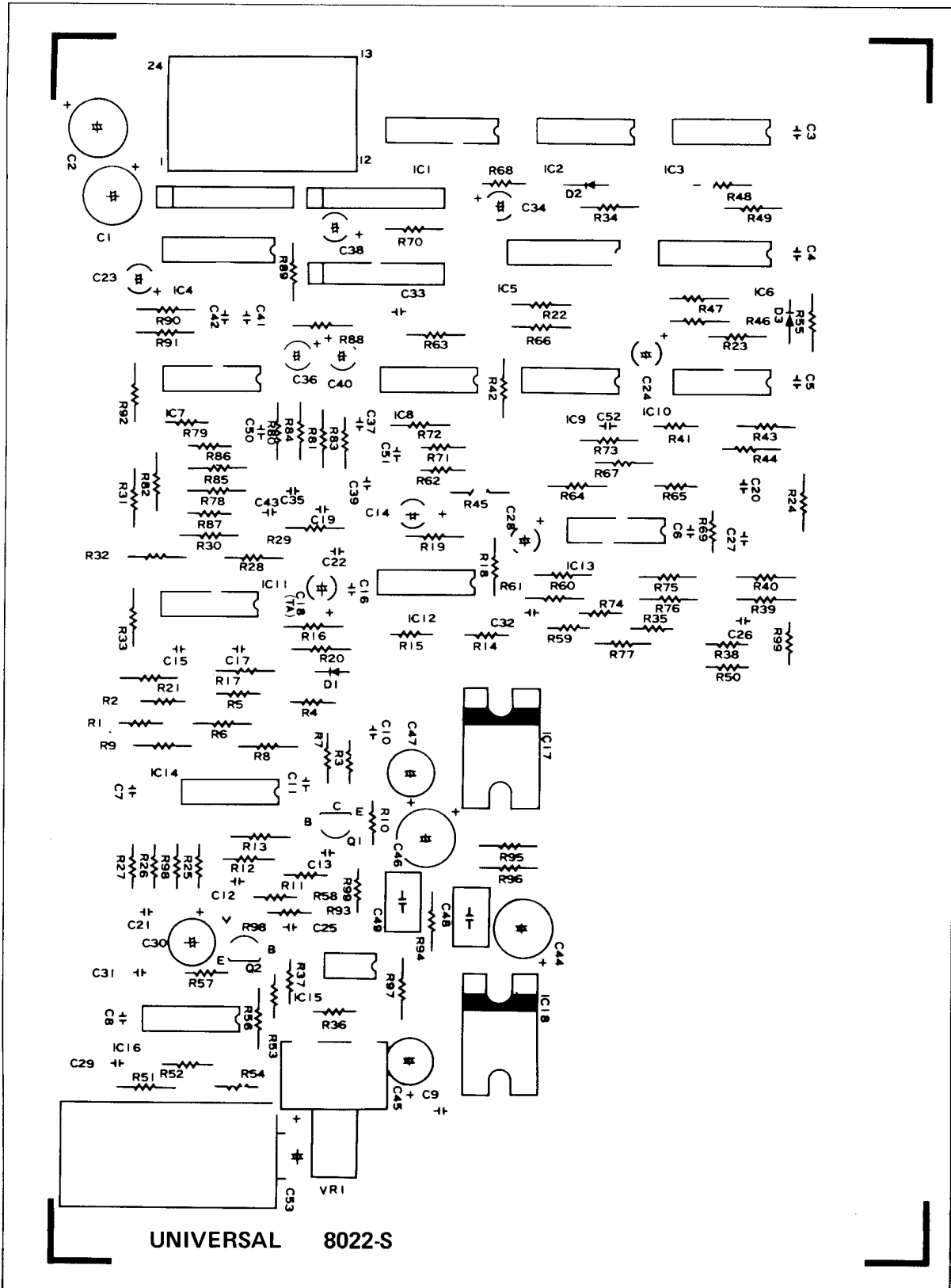


Fig. 20 Sound Circuit Board

Location	Rating	Description
R1	1K	Carbon solid resistor
2	1K	"
3	1M	"
4	1K	"
5	100K	"
6	1K	"
7	100K	"
8	1K	"
9	1M	"
10	51K	"
11	51K	"
12	100K	"
13	1M	"
14	1K	"
15	470K	"
16	100K	"
17	100K	"
18	120K	"
19	1K	"
20	100K	"
21	100K	"
22	100K	"
23	100K	"
24	1K	"
25	100K	"
26	10K	"
27	10K	"
28	10K	"
29	100K	"
30	100K	"
31	100K	"
32	100K	"
33	100K	"
34	100K	"
35	10K	"
36	1K	"
37	75K	"
38	100K	"
39	51K	"
40	100K	"
41	100K	"
42	220K	"
43	220K	"
45	220K	"
46	100K	"
47	51K	"
48	24K	"
49	12K	"
50	1K	"
51	1K	"
52	51K	"
53	10K	"
54	330K	"
55	10K	"
56	1K	"
57	100K	"
58	100K	"
59	100K	"
60	100K	"
61	100K	"
62	1K	"
63	51K	"
64	100K	"
65	100K	"
66	330K	"
67	75K	"
68	100K	"
69	100K	"
70	100K	"
71	1K	"

Location	Rating	Description
72	51K	Carbon solid resistor
73	100K	"
74	100K	"
75	100K	"
76	100K	"
77	220K	"
78	100K	"
79	100K	"
80	100K	"
81	100K	"
82	120K	"
83	100K	"
84	100K	"
85	100K	"
86	100K	"
87	220K	"
88	100K	"
89	51K	"
90	100K	"
91	100K	"
92	220K	"
93	10K	"
94	2.2K	"
95	4.7Ω	"
96	1.5Ω	"
97	1.5Ω	"
98	10K	"
99	22K	"
C1	100μF 16V	Chemical
2	100μF 25V	"
3	0.1μF	Ceramic
4	0.1μF	"
5	0.1μF	"
6	0.1μF	"
7	0.1μF	"
8	0.1μF	"
9	0.1μF	"
10	0.1μF	"
11	0.1μF	"
12	0.022μF	Mila
13	0.1μF	Ceramic
14	1μF 16V	Chemical
15	0.1μF	Ceramic
16	0.01μF	Mila
17	6800pF	"
18	0.22μF	Tantalum
19	0.022μF	Mila
20	Not Used	
21	0.1μF	Ceramic
22	0.1μF	"
23	1μF 16V	Chemical
24	10μF 16V	"
25	4700pF	Mila
26	0.1μF	Ceramic
27	0.022μF	Mila
28	10μF 16V	Chemical
29	0.01μF	Mila
30	22μF 16V	Chemical
31	0.01μF	Mila
32	470pF	Ceramic
33	3300pF	Mila
34	1μF 16V	Chemical

Location	Rating	Description
35	0.1μF	Ceramic
36	4.7μF 16V	Chemical
37	0.047μF	Mila
38	2.2μF	Chemical
39	0.1μF	Ceramic
40	1μF 16V	Chemical
41	0.1μF	Ceramic
42	0.022μF	Mila
43	0.01μF	"
44	100μF 16V	Chemical
45	47μF 16V	"
46	100μF 16V	"
47	47μF 16V	"
48	0.068μF	Mila
49	0.068μF	"
50	0.01μF	"
51	2200pF	"
52	0.015μF	"
53	1000μF 16V	Chemical
54	0.047μF	Ceramic

Location	Item No.	Description
Q1	2SC945	N-P-N Transistor
2	"	"
D1	1S1588	Switching Diode
3	"	"
RB1	MS1038AM	10KΩ Resistor Array
2	"	"
3	"	"
VR1	RV16YP	1KΩ(B) Variable Resistor
IC1	ULN2003AN	Darlington Transistor Array
2	CD4011CN	Quad 2-Input NAND Gate
3	CD4013CN	Dual D Flip Flop
4	ULN2003AN	Darlington Transistor Array
5	CD4049CN	Hex Inverting Buffer
6	CD4040CN	14-Stage Binary Counters
7	LM324N	Quadruple Operational Amplifiers
8	NE556N	Dual Timer
9	CD4016CN	Quad Bilateral Switch
10	LM324N	Quadruple Operational Amplifiers
11	LM324N	"
12	NE556N	Dual Timer
13	LM324N	Quadruple Operational Amplifiers
14	LM324N	"
15	NE555N	Timer
16	LM324N	Quadruple Operational Amplifiers
17	μPC1181H	Power Amplifier
18	μPC1181H	"

d) Sub-circuit board (2) IC location and parts list

[1] Integrated Circuit

Item No.	Q'ty	Description
7400N	1	Transistor Logic
7404N	1	"
7486N	1	"
74153N	1	"
74161AN	2	"
74166N	4	"
191N	3	"
S288N	1	256 bit Bipolar ROM
LS393N	1	Transistor Logic
2716	1	Nch Mos 16K bit EP ROM

[2] Capacitors

Rating	Q'ty	Description
0.1 μ F/12V	7	Ceramic Capacitor

[3] Resistors

Rating	Q'ty	Description
MS1028M	1	1K Ω Rogstor Array

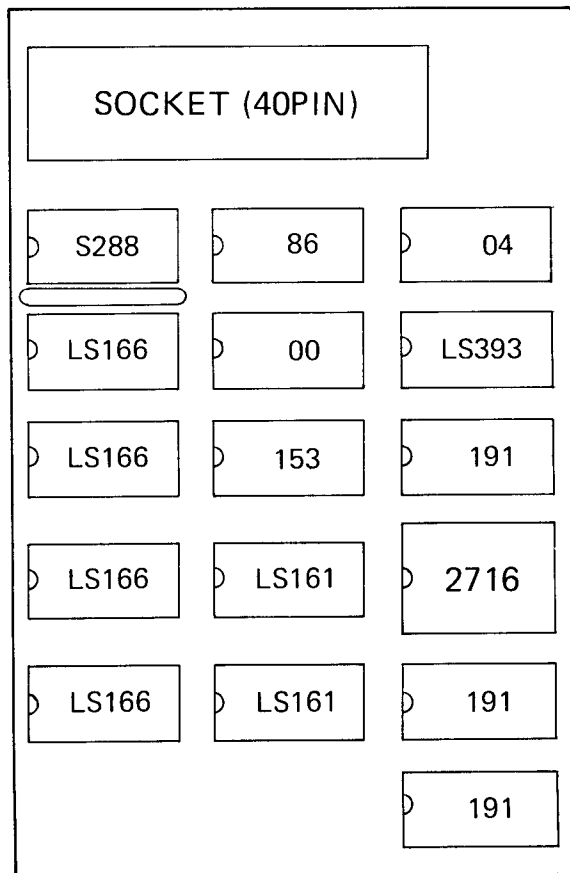
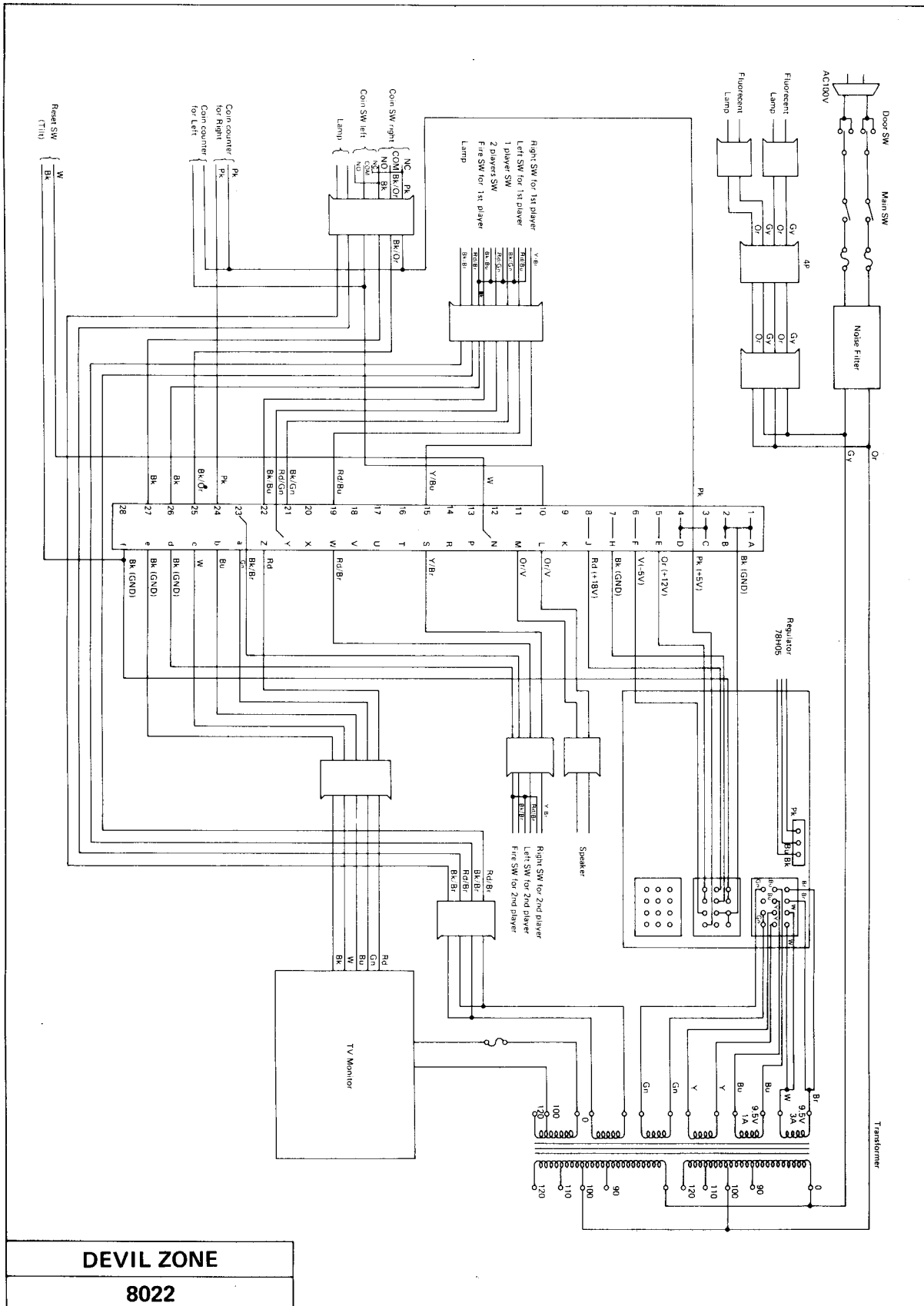


Fig. 21 Sub-circuit Board (2)

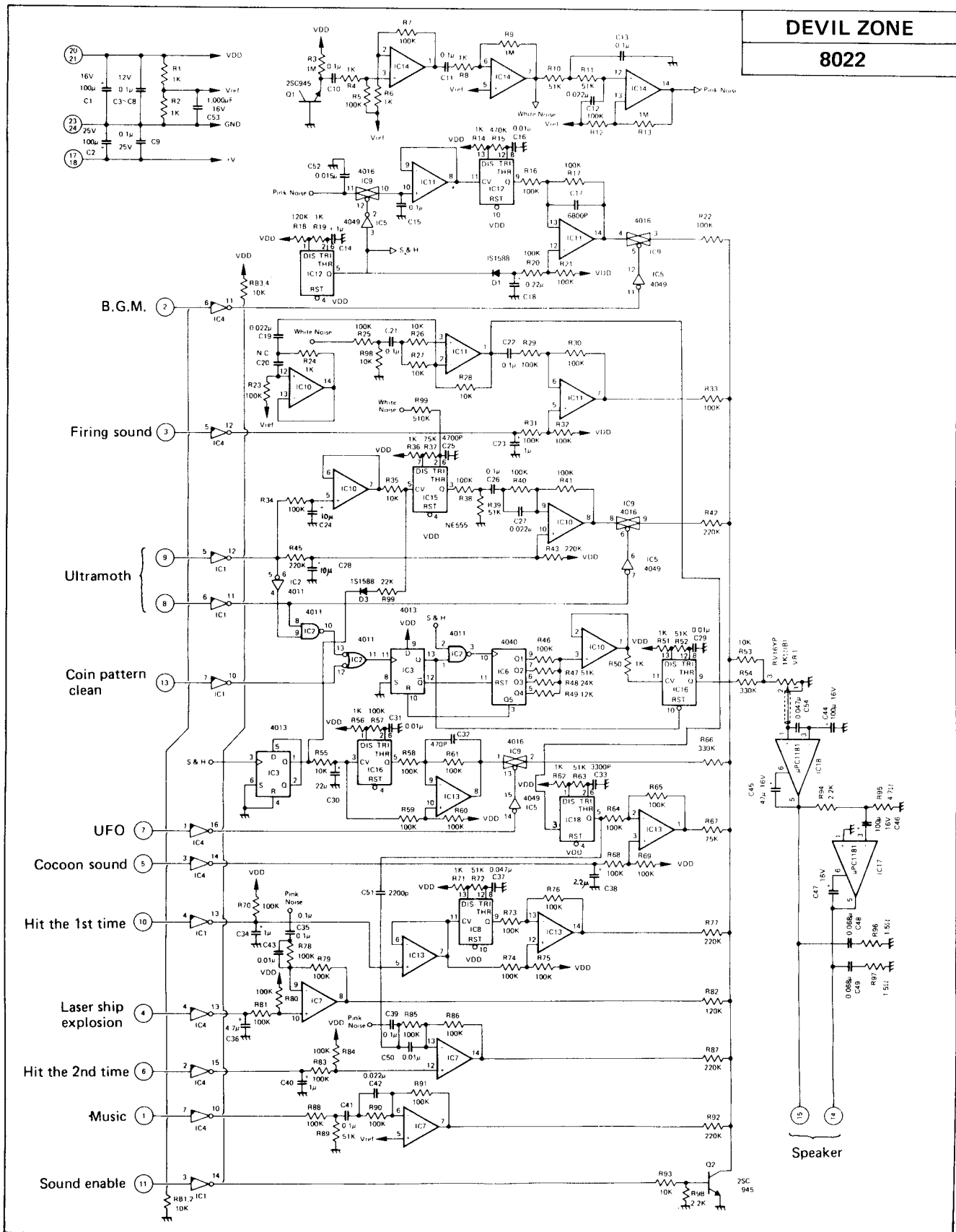
WIRING DIAGRAM (CONNECTOR)



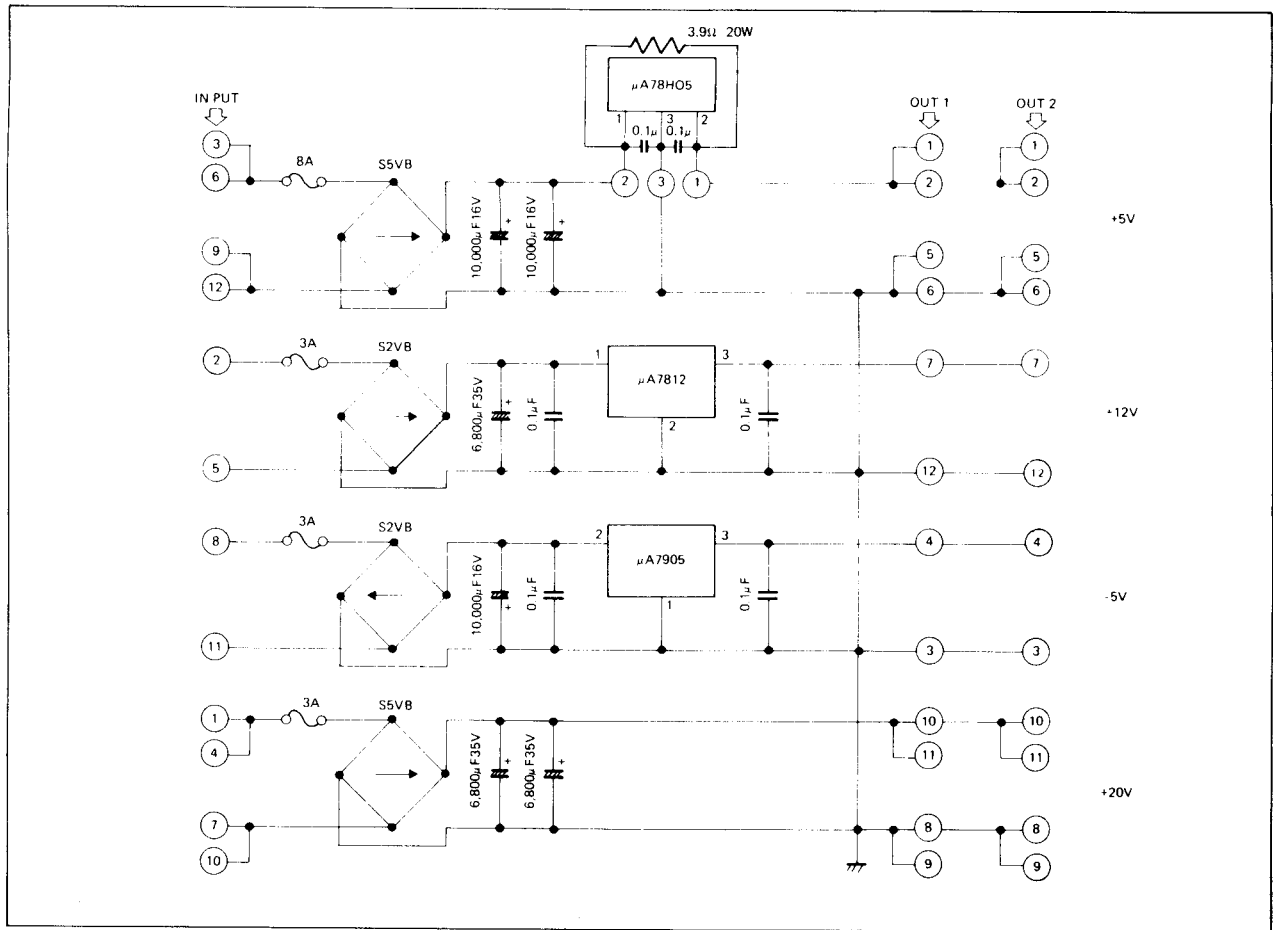
SOUND BLOCK DIAGRAM

DEVIL ZONE

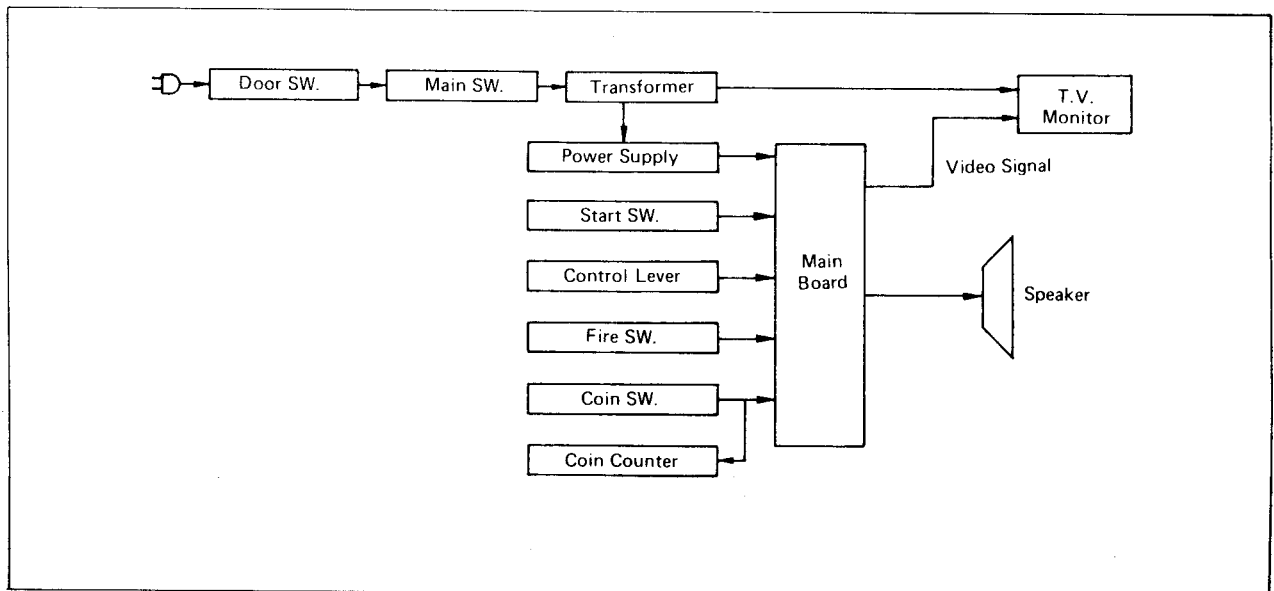
8022



POWER SOURCE BLOCK DIAGRAM



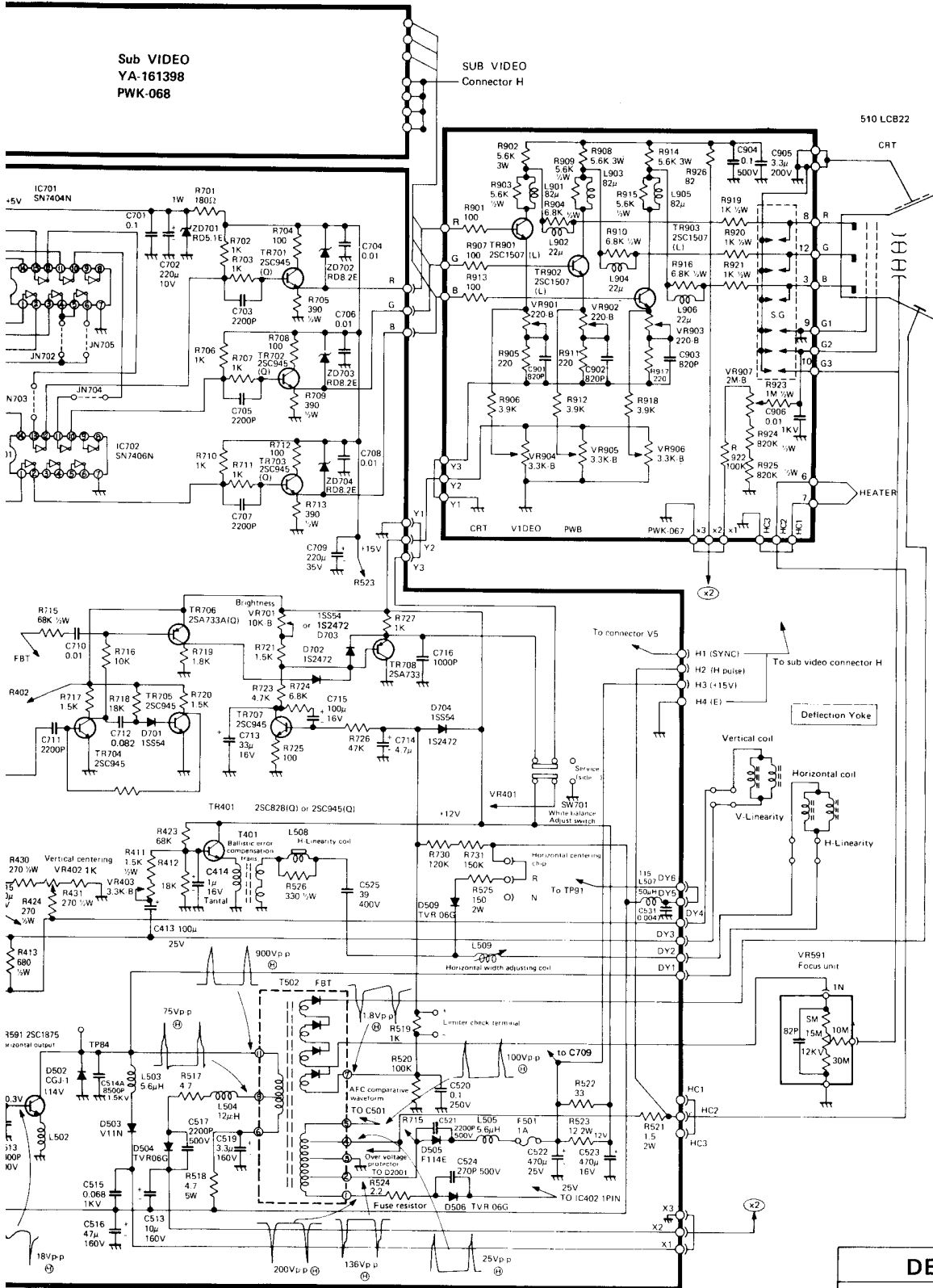
BLOCK DIAGRAM



Sub VIDEO
YA-161398
PWK-068

SUB VIDEO
Connector H

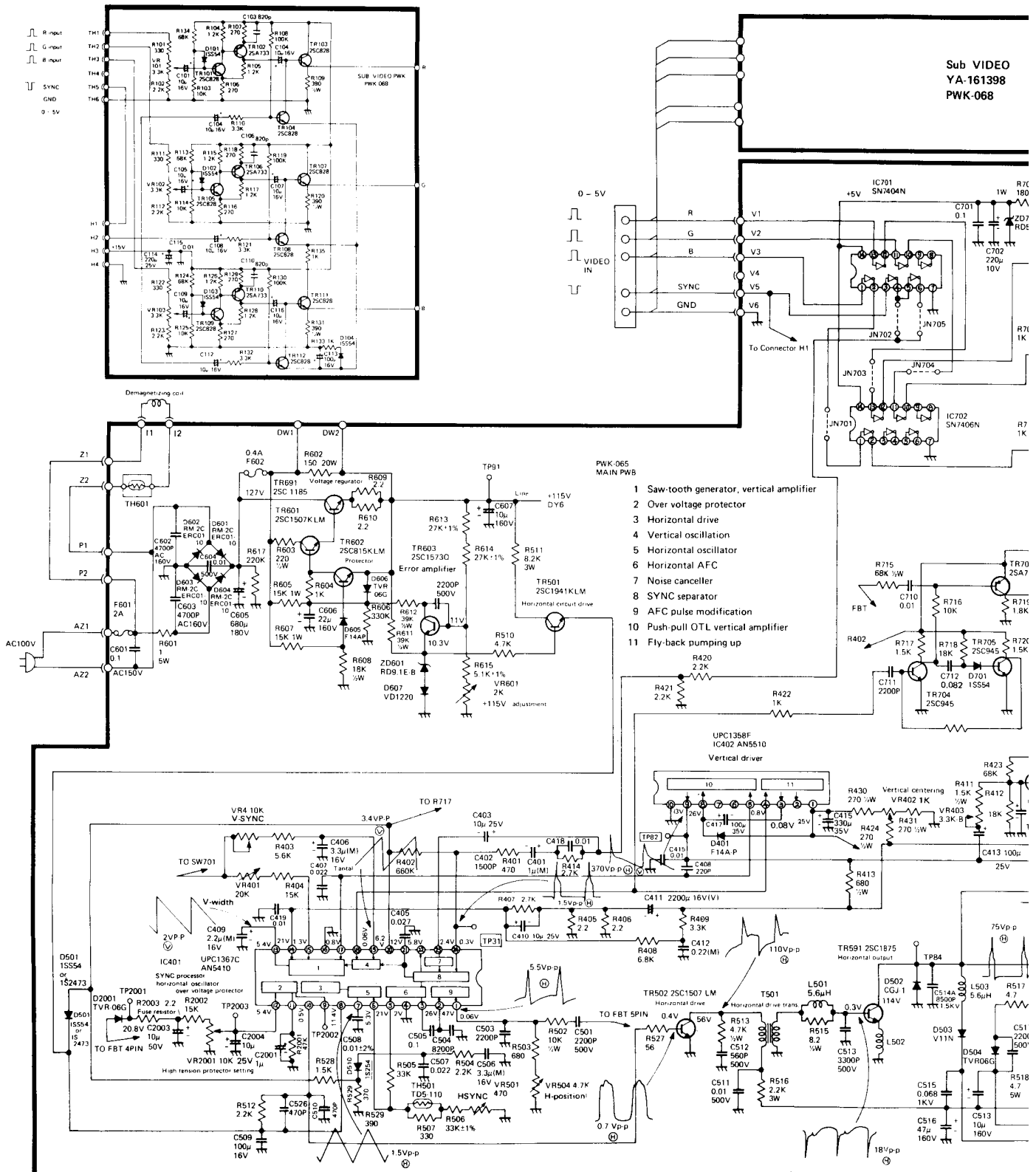
510 LCB22



DEVIL ZONE

8022

SCHEMATIC DIAGRAM (20" color)

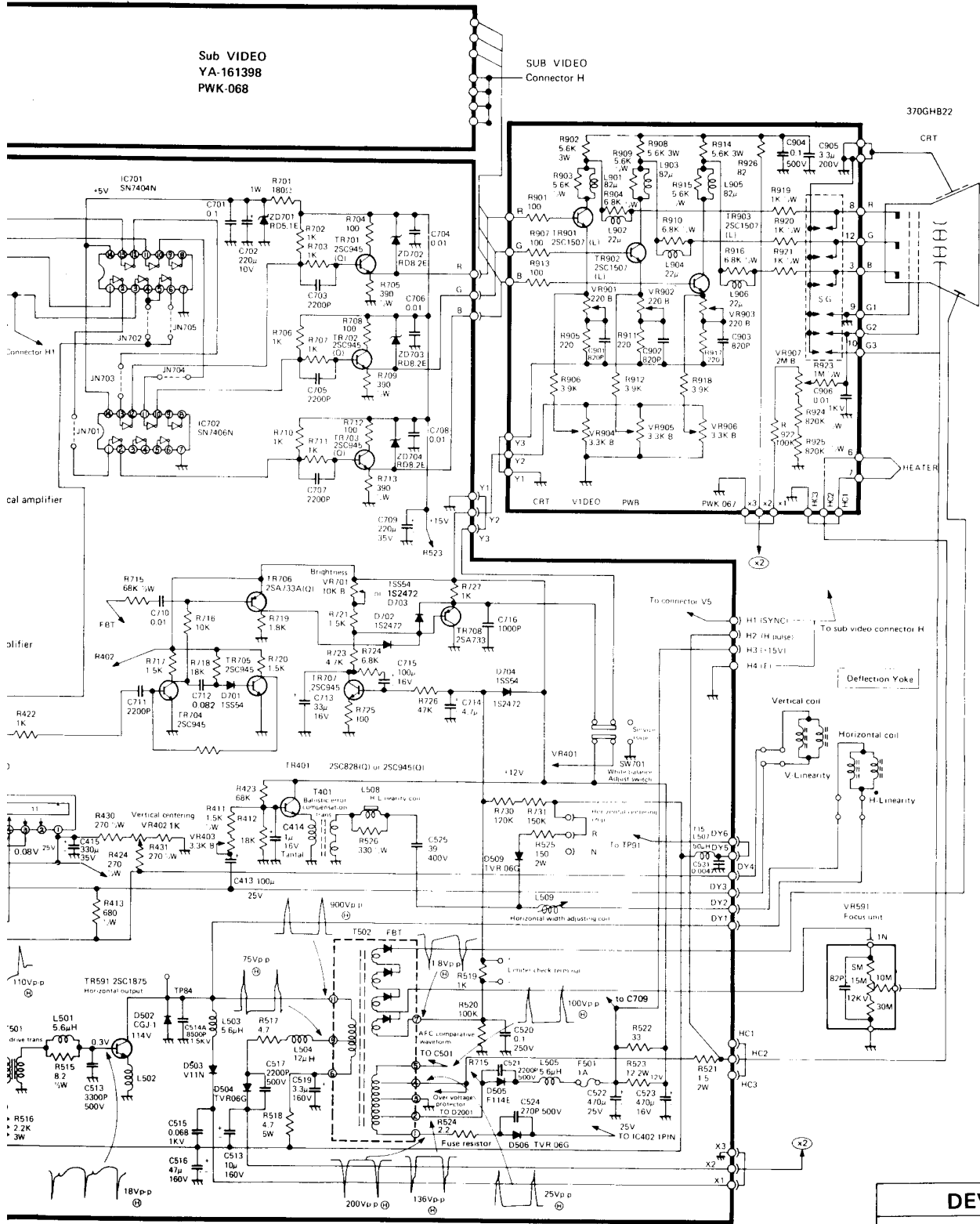


- 1 Saw-tooth generator, vertical amplifier
- 2 Over voltage protector
- 3 Horizontal drive
- 4 Vertical oscillator
- 5 Horizontal oscillator
- 6 Horizontal AFC
- 7 Noise canceller
- 8 SYNC separator
- 9 AFC pulse modification
- 10 Push-pull OTL vertical amplifier
- 11 Fly-back pumping up

Sub VIDEO
YA-161398
PWK-068

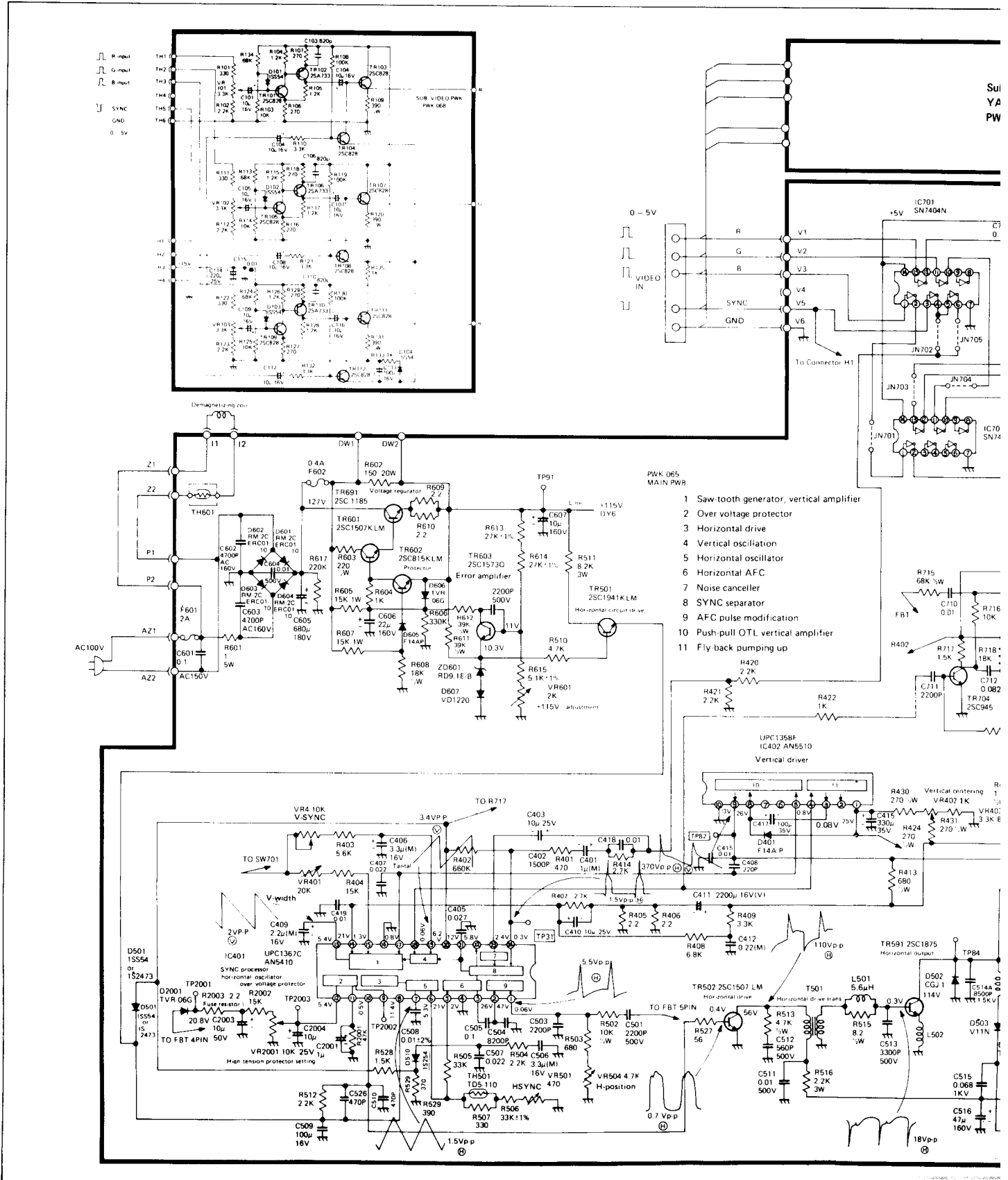
SUB VIDEO
Connector H

370GH822



DEVIL ZONE
8022

SCHEMATIC DIAGRAM (14" color)

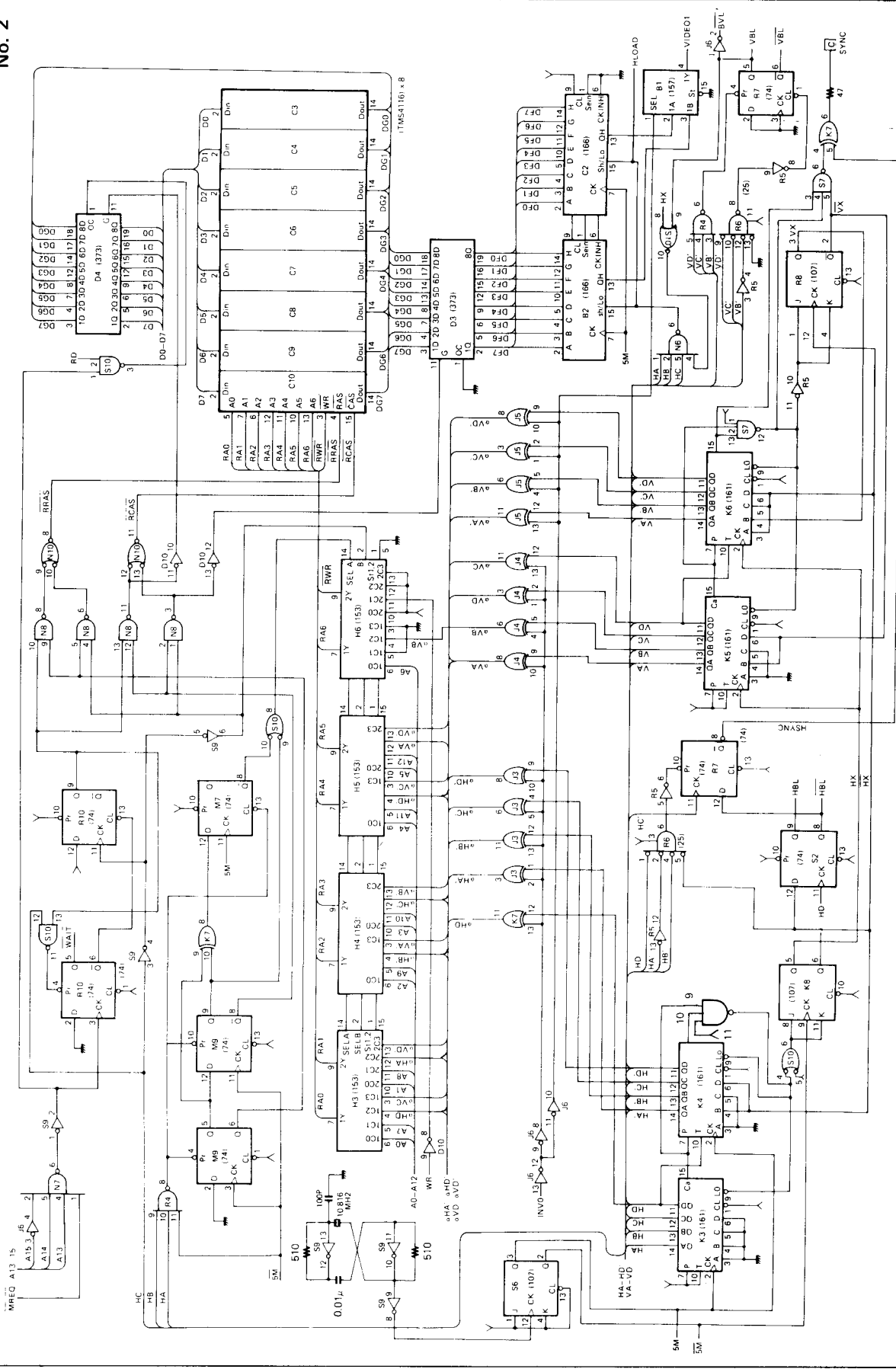


- 1 Saw-tooth generator, vertical amplifier
- 2 Over voltage protector
- 3 Horizontal drive
- 4 Vertical oscillator
- 5 Horizontal oscillator
- 6 Horizontal AFC
- 7 Noise canceler
- 8 SYNC separator
- 9 AFC pulse modification
- 10 Push-pull OTL vertical amplifier
- 11 Fly-back pumping up

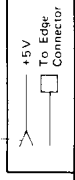
Sul
YA
PW

D501
CGJ.1
R500
R501
R502
R503
R504
R505
R506
R507
R508
R509
R510
R511
R512
R513
R514
R515
R516
R517
R518
R519
R520
R521
R522
R523
R524
R525
R526
R527
R528
R529
R530
R531
R532
R533
R534
R535
R536
R537
R538
R539
R540
R541
R542
R543
R544
R545
R546
R547
R548
R549
R550
R551
R552
R553
R554
R555
R556
R557
R558
R559
R560
R561
R562
R563
R564
R565
R566
R567
R568
R569
R570
R571
R572
R573
R574
R575
R576
R577
R578
R579
R580
R581
R582
R583
R584
R585
R586
R587
R588
R589
R590
R591
R592
R593
R594
R595
R596
R597
R598
R599
R600
R601
R602
R603
R604
R605
R606
R607
R608
R609
R610
R611
R612
R613
R614
R615
R616
R617
R618
R619
R620
R621
R622
R623
R624
R625
R626
R627
R628
R629
R630
R631
R632
R633
R634
R635
R636
R637
R638
R639
R640
R641
R642
R643
R644
R645
R646
R647
R648
R649
R650
R651
R652
R653
R654
R655
R656
R657
R658
R659
R660
R661
R662
R663
R664
R665
R666
R667
R668
R669
R670
R671
R672
R673
R674
R675
R676
R677
R678
R679
R680
R681
R682
R683
R684
R685
R686
R687
R688
R689
R690
R691
R692
R693
R694
R695
R696
R697
R698
R699
R700
R701
R702
R703
R704
R705
R706
R707
R708
R709
R710
R711
R712
R713
R714
R715
R716
R717
R718
R719
R720
R721
R722
R723
R724
R725
R726
R727
R728
R729
R730
R731
R732
R733
R734
R735
R736
R737
R738
R739
R740
R741
R742
R743
R744
R745
R746
R747
R748
R749
R750
R751
R752
R753
R754
R755
R756
R757
R758
R759
R760
R761
R762
R763
R764
R765
R766
R767
R768
R769
R770
R771
R772
R773
R774
R775
R776
R777
R778
R779
R780
R781
R782
R783
R784
R785
R786
R787
R788
R789
R790
R791
R792
R793
R794
R795
R796
R797
R798
R799
R800
R801
R802
R803
R804
R805
R806
R807
R808
R809
R810
R811
R812
R813
R814
R815
R816
R817
R818
R819
R820
R821
R822
R823
R824
R825
R826
R827
R828
R829
R830
R831
R832
R833
R834
R835
R836
R837
R838
R839
R840
R841
R842
R843
R844
R845
R846
R847
R848
R849
R850
R851
R852
R853
R854
R855
R856
R857
R858
R859
R860
R861
R862
R863
R864
R865
R866
R867
R868
R869
R870
R871
R872
R873
R874
R875
R876
R877
R878
R879
R880
R881
R882
R883
R884
R885
R886
R887
R888
R889
R890
R891
R892
R893
R894
R895
R896
R897
R898
R899
R900
R901
R902
R903
R904
R905
R906
R907
R908
R909
R910
R911
R912
R913
R914
R915
R916
R917
R918
R919
R920
R921
R922
R923
R924
R925
R926
R927
R928
R929
R930
R931
R932
R933
R934
R935
R936
R937
R938
R939
R940
R941
R942
R943
R944
R945
R946
R947
R948
R949
R950
R951
R952
R953
R954
R955
R956
R957
R958
R959
R960
R961
R962
R963
R964
R965
R966
R967
R968
R969
R970
R971
R972
R973
R974
R975
R976
R977
R978
R979
R980
R981
R982
R983
R984
R985
R986
R987
R988
R989
R990
R991
R992
R993
R994
R995
R996
R997
R998
R999
R1000

No. 2



DEVIL ZONE
8022

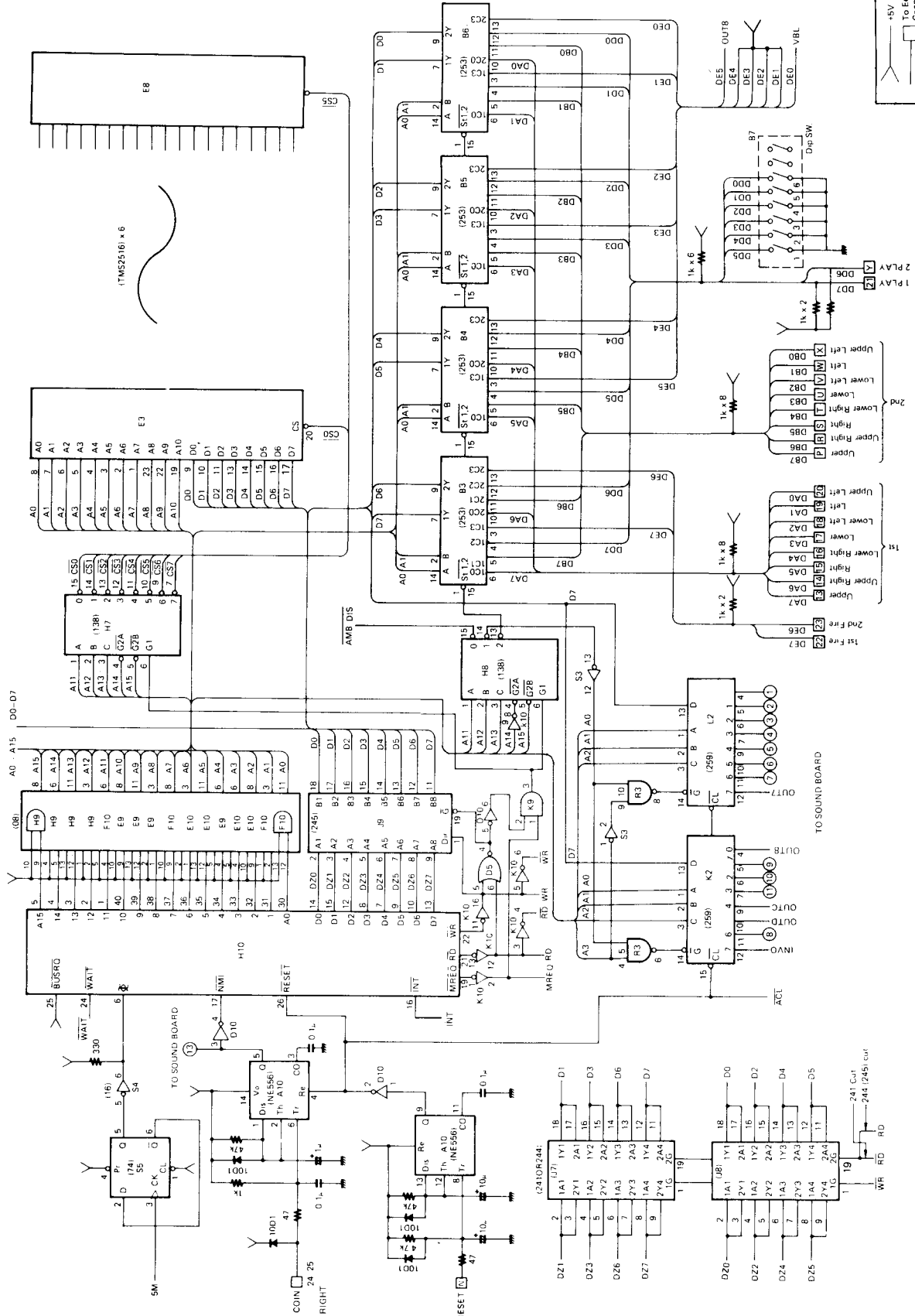


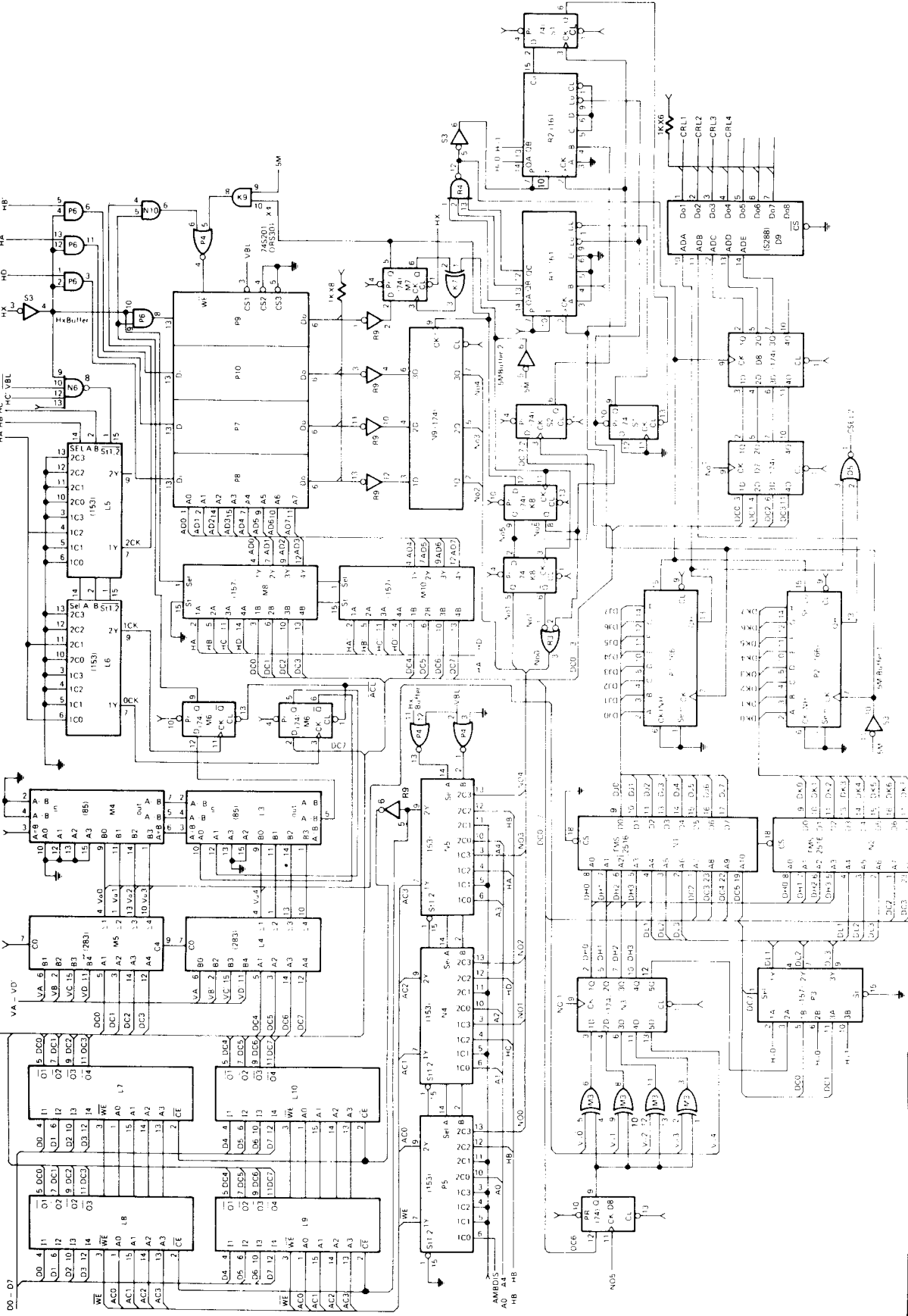
DEVIL ZONE

8022

MAIN BLOCK DIAGRAM

No. 1





DEVIL ZONE
8022



