

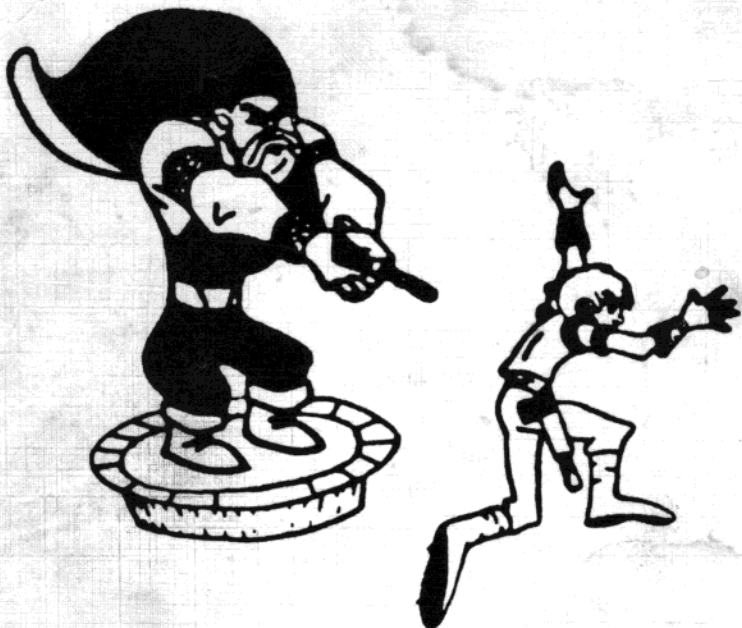
This document has been downloaded from:



The largest resource for amusement machines
documentation on the world wide web!



FLIPPERSPILL.COM

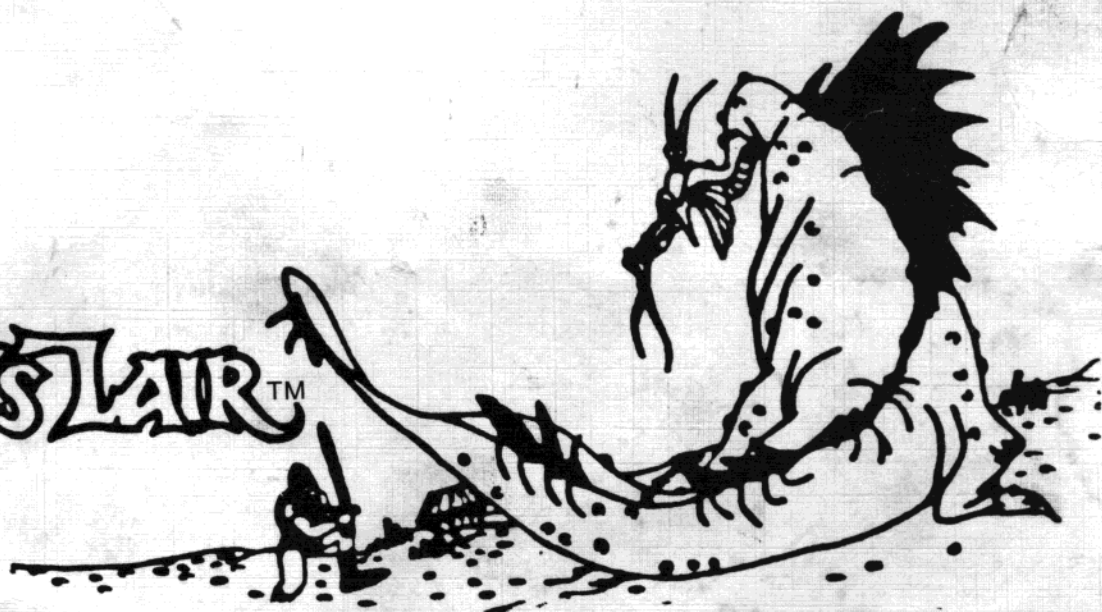


SPACE
ACE™



OPERATIONS/MAINTENANCE
MANUAL

DRAGON'S LAIR™



WARNING

This equipment generates, uses, and can radiate radio frequency energy and if not installed and used in accordance with the instructions manual, may cause interference to radio communications. It has been tested and found to comply with the limits for a Class A computing device pursuant to Subpart J of Part 15 of FCC Rules, which are designed to provide reasonable protection against such interference when operated in a commercial environment. Operation of this equipment in a residential area is likely to cause interference in which case the user at his own expense will be required to take whatever measures may be required to correct the interference.

WARRANTY

Seller warrants the videodisc and the videodisc player for a period of thirty (30) days from date of shipment. Seller warrants that the video display, the power supply, and the printed circuit boards and parts thereon are free from defects in material and workmanship under normal use and service for a period of ninety (90) days from date of shipment. None of the Seller's other product parts are warranted.

If the products described in this manual fail to conform to this Warranty, Seller's sole liability shall be, at its option, to repair, replace, or credit Buyer's account for such products which are returned to Seller during said Warranty period if the following procedures are followed:

- (a) Seller is promptly notified in writing upon discovery that said parts are defective.
- (b) Such products are returned prepaid and accompanied with an RMA number to Seller's plant.
- (c) Seller's examination of said products discloses to Seller's satisfaction that such alleged defects existed and were not caused by accident, installation, or improper testing.

In no event shall Seller be liable for loss of profits, loss of use, or incidental or consequential damages.

Except for any expressed Warranty set forth in a written contract between Seller and Buyer which contract supersedes the terms herein, this Warranty is expressed in lieu of all other warranties expressed or implied, including the implied warranties of merchantability and fitness for a particular purpose and of all other obligations or liabilities on the Seller's part, and it neither assumes nor authorizes any other person to assume for the Seller any other liabilities in connection with the sale of products by the Seller.

CUSTOMER SERVICE PROCEDURES
FOR AUTHORIZED CINEMATRONICS' DISTRIBUTORS

It is the desire of Cinematronics, Inc. to provide efficient and courteous service should the need arise. We have a fully staffed Customer Service Department and encourage you to call our toll free number: 800-854-2666. Our technicians are available to assist you between 7:00 a.m. and 5:00 p.m. California time, Monday through Friday. Parts may be ordered between 7:00 a.m. and 5:00 p.m., California time, Monday through Friday. PLEASE BE PREPARED TO GIVE THE SERIAL NUMBER OF THE GAME YOU ARE CALLING ABOUT.

In order to provide the best possible service, the following procedures for ordering or returning parts must be followed:

1. All equipment ordered from Customer Service, whether in or out of Warranty, must be placed with a Distributor's purchase order, either by mail or verbally by telephone.

2. Advance replacement items may be obtained only during the terms of the Warranty and when such items are available. Please be prepared to give the order desk the following information: THE GAME SERIAL NUMBER, THE WARRANTY ITEM SERIAL NUMBER, and your purchase order number.

3. All items received as advance replacements will, after a period of thirty (30) days, become the property of the Distributor, with applicable charges applied in the event that Customer Service has not received the defective item against which the advance replacement was made.

4. The Distributor must call this facility for an RMA number prior to returning any item. Please be prepared to provide us with the game serial number and part serial number when requesting an RMA.

5. In all situations covered above, and in all other situations, the Warranty offered by Cinematronics, Inc. is applicable and should be fully understood.

6. Parts returned for service must be packaged so that no damage is incurred during shipment. Do not pack players in shredded paper. Note that both models of the videodisc player should be kept in a horizontal position. UNDER NO CIRCUMSTANCES should a player be shipped for any distance in a non-level position. If a cabinet must be shipped in a non-upright position, remove the player and ship it separately. Cartons without a prominently displayed RMA number will not be accepted. Full documentation, including a game serial number, part serial number, and reason for return, must accompany all parts. Ship parts prepaid to:

Cinematronics, Inc.
Customer Service Department
1841 Friendship Drive
El Cajon, CA 92020
(619) 562-7000 or (800) 854-2666

TABLE OF CONTENTS

CHAPTER 1:	General Information for Operators	1.1
Part I:	Game Set Up	1.1
A.	Warnings	1.1
B.	RF Interference	1.1
C.	Preliminary Examination	1.1
Part II:	Game Operation	1.3
A.	Power Requirements	1.3
B.	Operator Controls	1.3
C.	Videodisc Player Carriage Mechanism	1.3
D.	Laser Disc Installation	1.4
E.	Power Up	1.4
F.	Coin Operation	1.4
G.	Game Play and Player Controls	1.5
Part III:	Periodic Maintenance Procedures	1.7
CHAPTER 2:	Theory of Operation for the System Controller	2.1
A.	Z80	2.1
B.	Data Bus Direction Control	2.1
C.	Z80 Control Logic	2.2
D.	Z80 Address Decoding	2.3
E.	PROM Memory	2.3
F.	RAM Memory	2.3
G.	Real Time Clock	2.3
H.	GI Sound Chip	2.4
I.	Audio Amplifiers	2.4
J.	Color Monitor	2.4
K.	Power Supply	2.4
L.	Audio Amplifier Power Supply	2.5
M.	Player Interface	2.5
N.	Disc Player Interface	2.5
O.	Coin Counter	2.5
P.	LED Display Board	2.6
CHAPTER 3:	On-Board Diagnostics	3.1
A.	RAM Test	3.1
B.	EPROM Test	3.1
C.	Security Device Test	3.2
D.	Sound Test	3.2
E.	Display Test	3.2
F.	Keyboard Test	3.2
G.	Color Test	3.2
H.	Service Diagnostics and Signature Analysis	3.2
CHAPTER 4:	Monitor and NTSC Decoder Board Supplement Info.	4.1
A.	Electrohome NTSC Decoder Board Alignment Procedure	4.1
B.	Wells-Gardner Color Monitor Setup Instructions	4.3
C.	Wells-Gardner Composite Video Setup Instructions	4.4
APPENDIX A:	Parts List	

APPENDIX B: Game Setting Options - Dragon's Lair

APPENDIX C: Game Setting Options - Space Ace

APPENDIX D: Schematics and Assembly Drawings

1.1 Introduction
1.2 Theory of Operation
1.3 Periodic Refreshes
1.4 Game Play and Input

2.1 Theory of Operation
2.2 Periodic Refreshes

3.1 ROM Memory
3.2 RAM Memory
3.3 ROM Address
3.4 ROM Data
3.5 ROM Control
3.6 ROM Status
3.7 ROM Error
3.8 ROM Test

4.1 On-board Diagnostics
4.2 ROM Test
4.3 RAM Test
4.4 Keyboard Test
4.5 Joystick Test
4.6 Joystick Status
4.7 Joystick Error

5.1 Monitor and Video Encoder
5.2 Keyboard and Joystick
5.3 Joystick and Keyboard
5.4 Joystick and Keyboard

CHAPTER 1

GENERAL INFORMATION FOR OPERATORS

Part I: GAME SET UP

A. WARNINGS:

For safety and reliability, Cinematronics does not recommend or authorize any substitute parts or modifications of Cinematronics equipment. Such alterations may adversely affect game play, cause injury, or void Warranty. Substitute parts, modifications and non-Cinematronics game "conversions" may also void FCC compliance.

Cinematronics' games are protected by Federal copyright, trademark, and patent laws. Therefore, non-Cinematronics game "conversions" or game modules may be illegal under Federal law.

Both models of the videodisc player should be kept in a horizontal position at all times. If tilting is required during transport or repair, keep the period of inclination to a minimum.

The monitor's picture tube encloses a high vacuum and, due to the large surface area, is subject to extreme force. Take care not to bump or scratch the picture tube as this may cause the tube to implode, resulting in personal injury and property damage.

To prevent fire or shock hazard, DO NOT EXPOSE THE MONITOR TO RAIN OR MOISTURE.

B. RF INTERFERENCE

Cable harness placements and ground strap routing on this game have been designed to keep RF radiation and conduction within levels accepted by FCC regulations. To maintain these levels, reposition harnesses and reconnect ground straps to their original placements if they should be disconnected during maintenance.

C. PRELIMINARY EXAMINATION

Each game should undergo a brief inspection upon arrival to ensure that no damages occurred during shipping. The following list may be used as an inspection guideline:

1. Inspect the outside of the shipping carton. Damage to the outside carton may indicate damage to the game cabinet.
2. Unlock and set aside the back panel to check the circuitry. Reconnect any loose connectors. The connectors are keyed--do not force them together. Prevent damage to the PC boards by taking care not to reverse connectors.
3. Make sure that all socketed integrated circuits are firmly seated.

GENERAL INFORMATION FOR OPERATORS

4. Unwrap the power cord supplied with the game, and plug it into the receptacle found on the rear of the cabinet. DO NOT PLUG THE GAME INTO THE WALL AT THIS TIME.

5. Observe the major subassemblies: monitor, control panel, transformer board, and power supply. All should be securely mounted.

6. Open the drawer at the bottom of the cabinet by removing the wing nuts and screws on the sides of the cabinet. Make sure that the videodisc player is securely mounted.

Part II: GAME OPERATION

A. POWER REQUIREMENTS

CAUTION: To prevent shock hazard and ensure proper game operation, plug this game into a properly grounded outlet: unless otherwise specified, your game was shipped to operate at 115 VAC, 60 hz. Do not use a cheater plug or cut off the ground pin to defeat the ground through the line cord.

B. OPERATOR CONTROLS

1. **ON/OFF Switch:** This switch is mounted on the rear of the cabinet next to the AC input receptacle. Pull the switch out to turn on the game. **NOTE:** Some newer games have no on/off switch. In these games use the power cord.

2. **COIN COUNTER:** Mounted on the operator convenience panel behind the coin door, this mechanism is software controlled and will count coins for Space Ace and credits for Dragon's Lair. If, for example, one game costs fifty cents, the coin counter increments once for every two coins.

3. **VOLUME:** Two volume controls, one for the left channel and one for the right, adjust the game's stereo sound.

4. **RESET Switch:** Located on the right side of the Z80 Controller board near the amplifier heat sinks, the RESET switch forces the Z80 and other registers on the board into their proper initial states and prevents the generation of unwanted sounds. See the Theory of Operation chapter of this manual for a more thorough explanation of this switch.

5. **COVER-OPEN Switch:** The left-most switch on the front panel of the disc player, this switch opens the cover of the disc player. Power must be on and the laser disc in reject position before this switch can operate.

6. **DIPSWITCHES:** For an explanation of the dipswitch settings, see appropriate Appendix.

C. VIDEODISC PLAYER CARRIAGE MECHANISM

The carriage mechanism on either disc player must be locked in place during shipping or moving. An unlocked carriage may result in disc player alignment problems.

Pioneer PR-7820: (Brown Player Enclosure)

After the game is in the desired location, unlock the carriage mechanism on the disc player by inserting a small flathead screwdriver into the hole just below the cover on the front-left side of the disc player. Turn the screw counterclockwise until it releases. The carriage mechanism is now free; the disc player ready to operate.

Pioneer LDV-1000: (Black Player Enclosure)

The locking screw for the carriage is located inside this player. After the game is in the desired location, momentarily turn the power on and press the COVER-OPEN switch to open the disc player cover. Located on the right side of the disc cavity is a large 3/8" flathead screw. Remove this locking screw and its washer plate, and save them, along with the lens cap, in the bag on the back door of the game cabinet. The disc player is now ready to operate.

ALWAYS SECURE THE CARRIAGE MECHANISM PRIOR TO SHIPPING OR MOVING THE GAME.

D. LASER DISC INSTALLATION

Turn the power on momentarily and press the COVER-OPEN switch to open the disc player. The cover should open as soon as the disc is in reject position.

Pioneer PR-7820:

Now turn the power off. Data-side (reflective) up, set the laser disc on the spindle of the player. Press the "Lock" buttons on the spindle to hold the disc in place. Close the cover of the disc player.

Pioneer LDV-1000:

Turn the power off. Data-side down, set the laser disc onto the spindle of the player. Close the cover of the disc player to automatically lock the disc in place.

DO NOT OPERATE EITHER DISC PLAYER UNTIL THE DISC IS LOCKED ONTO THE SPINDLE.

E. POWER UP

When the carriage mechanism is unlocked and the laser disc installed, replace the back panel and plug in the game. Either pull out the ON/OFF switch or use power cord to turn the power on. Three tones should be heard, about fifteen seconds apart. The first indicates that the laser disc is in reject position; the second that the laser disc has begun to play. If any or all of the tones are not heard, return to the beginning of this GAME OPERATION section and start over. NOTE: In some instances the initial beep is absent, please wait 15 to 20 seconds for the sound. In another 15 to 20 seconds you should hear a tone, at which time the display will appear.

F. COIN OPERATION

One credit = one single player game. The number of coins required for one credit is operator programmable. (See appropriate Appendix for Game Setting Options). Two or more credits initiate a

two player game. Credits are displayed in the LED display above the CRT monitor.

G. GAME PLAY AND PLAYER CONTROLS

1. DRAGON'S LAIR

a. GAME PLAY: Dirk the Daring enters the enchanted castle of an evil wizard to rescue Princess Daphne. As Dirk fights his way through the monsters and traps the wizard has set for him, he must find the secret passages which lead to the caverns below the castle. There, in a deep dungeon, the princess is held captive in a magic cage guarded by a gigantic Dragon. Dirk must ultimately slay this Dragon to free the princess.

Because the monsters and traps to be overcome are so numerous and constantly changing, it is not possible to list the range of scores awarded for each one. Generally, as Dirk progresses deeper into the castle, he encounters more difficult obstacles and is accordingly awarded greater numbers of points for overcoming them.

b. SWORD/ACTION BUTTON: Causes Dirk to draw and use his sword.

c. JOYSTICK: Controls Dirk's movements. Dirk moves in the direction that the joystick is pointed. In some instances, moving Dirk to an object causes him to do something with that object.

2. SPACE ACE

a. GAME PLAY: "Space Ace" features a cast of loveable and laughable characters which make promotion easy, exciting and fun.

One gallant earthling stands between the inter-planetary invasion forces of the blue-skinned alien Commander Borf and their intended target, Earth: an earthling named Dexter. On Dexter's narrow shoulders ride the fate of Earth and the well-being of his lovely sidekick, Kimberly, who Borf has carried off into the cosmos.

Dexter sets off in hot pursuit of Lord Borf, battling monsters, machines and mechanisms as he fights his way across the galaxy. During his daring quest, Dexter relies on his wits, agility and quick reflexes to overcome the deadly predicaments and bizarre opponents Borf throws in his path; but when the peril grows too great for even cunning and courage to prevail, Dexter has a secret strength in reserve.

Exposure to mysterious cosmic rays has given Dexter a remarkable ability. Just when our hero seems doomed and all appears lost, he undergoes a startling transformation into his super-mighty, super-bold, super-self: SPACE ACE! - a broad-shouldered, good-natured

alter ego who evens out the odds as Dexter struggles to rescue Kimberly.

Pursued to his home planet by this resourceful and relentless adversary, Borf turns and faces Dexter in a final and climactic confrontation. Determined to prevail at all costs, Borf resorts to the ultimate weapon, a weapon capable of reducing even the mighty Space Ace into a helpless infant: the dreaded INFANTO-RAY! Only Space Ace can survive such a crisis, and Space Ace alone can save the Earth, save the girl, and save the day!

b. ACTION BUTTON: The action button functions in a variety of ways in a variety of situations. Most frequently the Action button fires weapons and energizes Dexter into Space Ace.

c. JOYSTICK: The joystick controls the direction of movement of the Dexter and Space Ace characters.

PART III: PERIODIC MAINTENANCE PROCEDURES

Because of its solid state electronic circuitry, this game should require very little maintenance and only occasional adjustments. Several measures should, however, be taken to ensure as few problems as possible.

LASER DISC: The laser disc should be cleaned weekly with a soft cloth and an ammonia-based cleaning solution, e.g. a non-aerosol window cleaner. Do not use any cleaner containing alcohol. To prevent fingerprints and smudges, hold the laser disc by its edges.

FILTER AND SCREEN: Routinely inspect and, when needed, clean or replace the filter on the back of the cabinet and/or fan guard.

VIDEO MONITOR: Though the video monitor is properly adjusted before shipping, occasional minor adjustments may be necessary. Adjustment controls are located at the rear of the monitor. Do not attempt to modify any circuit on the monitor. See Chapter 4 for additional information on the monitor.

POWER SUPPLY: The power supply is also adjusted before shipping. The computer boards in this game operate most efficiently and reliably when the power supply is set so that the voltage on the board is +5V. To check this, place a meter across +5V and ground on the logic board. If necessary, adjust the screwdriver control on the power supply until the meter reads between 4.9 and +5V.

The game should be serviced only by qualified technicians. For service information, contact:

Cinematronics, Inc.
1841 Friendship Drive
El Cajon, CA 92020
(619) 562-7000
(800) 854-2666

ALWAYS BE PREPARED TO GIVE THE SERIAL NUMBER OF THE GAME YOU ARE CALLING ABOUT.

CHAPTER 2
THEORY OF OPERATION
FOR THE SYSTEM CONTROLLER

A. Z80

The microprocessor used in this system is a 4 MHz Z80. All of the Z80's address, data, and control outputs are buffered by bus drivers: U2, U9, U15, and U23. These buffers are always enabled.

B. DATA BUS DIRECTION CONTROL

A high Read signal RD- at U15-1 allows the Z80 to write into the RAMs and other external devices. A low RD- signal allows the transfer of data from the RAMs, ROMs, and other external devices to the Z80.

The Z80 generates sixteen address lines. After buffering, these lines are referred to as A0 through A15. A0 is the least significant bit, A15 the most significant.

Similarly, after buffering by data bus driver U15, the eight data bus lines are referred to as D0 through D7.

U23 buffers the following four control signals generated by the Z80:

SIGNAL	OCCURRENCE
M1- MACHIN CYCLE 1	During instruction fetches.
MREQ- MEMORY REQUEST	When the Z80 reads or writes data from or to memory-mapped devices.
RD- READ	When the Z80 reads data.
WT- WRITE	When the Z80 writes data.

NOTE: Bus Acknowledge signal BUSAK- may be wired on some boards, but it is never used.

C. Z80 CONTROL LOGIC

This section describes the generation of three control inputs to the Z80: CLOCK+, RESET-, and WAIT-. The control input Bus Request (BUSRQ-) may be wired on some boards, but it is never used.

1. CLOCK CIRCUIT

The Clock Circuit provides the Z80 Controller Board with a stable 4.00 MHz signal. This signal may be derived in one of three ways:

- a. A TTL oscillator (U24,74LS04) producing 4 MHz directly.
- b. A TTL oscillator (U24,74S04) producing 16 MHz, which is divided by 4 (U31,74LS74) to produce 4 MHz.
- c. A transistor oscillator producing 8 MHz which is divided by 2 to produce 4 MHz.

The 4 MHz signal is used as the clock for the Z80 micro-processor. A 2 MHz clock for the GI sound chip is produced by dividing the 4 MHz system clock by 2 (U26,74LS74).

2. RESET CIRCUIT

The Reset Circuit forces the processor and other registers on the Z80 Board into their proper initial states and prevents the generation of unwanted sounds. The Reset Circuit is activated automatically at power up and manually by pressing the RESET button on the Z80 Controller Board.

The Power-up Reset Circuit is composed of CR1, CR2, R43, R44 C62, Q1, U23, pins 11 and 9, U22, pins 1 through 3.

At power up, the positive side of C62 is very close to 0 volts. This causes Q1 to be turned on and the output of the circuit, U23-9, to be high. C62 now begins to charge; i.e., the voltage on its positive side goes from ground to +5V. When the positive side of C62 reaches a potential of approximately 1.4 volts, Q1 turns on, forcing U23-9 low. To provide a clean output pulse at U23-9, the pulse width at U23-9 should be in excess of 50 milliseconds.

A Schmidt-Trigger device, U23 has built-in hysteresis. U22, pins 1 through 3 provide an active low RESET at U22-3.

When the RESET button is depressed, C62 de-charges, initiating the RESET Circuit activity described above.

3. WAIT LOGIC

When reading or writing to GI Sound Chip U19, the Z80 must wait for one Time State, or T-State. For circuit simplicity, a signal generated by U25-6 determines when these states need to be inserted. Sometimes active for other reasons, this signal is always active low whenever the GI Sound Chip is addressed.

The Wait Circuit for the GI Sound Chip is composed of U28 and U25, pins 1 through 6. A T-State is generated as follows:

The signal at U25-6 is fed to U28-2. U28 is configured as a 2-Bit shift register. Normally, U25-6 remains high, causing U28, pins 5 and 9 to be held high and WAIT signal at U25-3 to be high/inactive. When the GI Sound Chip is addressed, U25-6 drops low, causing U28-6 to go high, while U28-9 remains high. The WAIT signal then drops low for 250 ns or one T-State.

D. Z80 ADDRESS DECODING

Address decoding is performed by U4, U11, and U10. U4 decodes address lines 13, 14, and 15. The outputs of U4 select five different banks of ROM, one bank of RAM, and two banks of memory-mapped I/O devices. Each of these banks is 4K long. Address decoding at U4 is enabled when Memory Request signal MREQ+ is active high at U25-10. It is disabled during Refresh Cycles (RFSH-) by a low at U25-9.

U10 decodes address lines 3, 4, and 5. Its outputs are used to generate Write Strobes to memory-mapped I/O devices. Also used to decode address lines 3, 4, and 5, U11 generates Read Strobes for memory-mapped I/O devices.

E. PROM MEMORY

Located on the PROM board, PROM Memory U1 through U5 contain the program for the game.

F. RAM MEMORY

RAM Memory U3 stores the variables for the Z80 Controller Board. U3 = one 2K block of memory.

G. REAL TIME CLOCK

Interrupts occurring at a rate of approximately 33 milliseconds are required to keep the Z80 in sync with the videodisc player. The signal RTC+ (REAL TIME CLOCK) at U26-11 is a square wave with a 33 millisecond period. In early models, this signal is generated by the 68705, U7-12. In later models, U6 and U13 are cascaded to form a 16-Bit binary counter. The output of this counter circuit, U6-6 is a 33 millisecond square wave.

In either case, U26-8 is forced low every 33 milliseconds, thereby generating an interrupt signal to the Z80. When the Z80 recognizes the interrupt signal, it forces both M1- and the IORQ- signals low simultaneously, causing CLR INT- (CLEAR INTERRUPT) to go low at U25-11, thus removing the interrupt generated at U26-8.

H. GI SOUND CHIP

GI Sound Chip U19 generates the boops and beeps for the coin drop and joystick feedback.

Both address words and data words are written by the Z80 to the GI Sound Chip. However, only data words are read from the Sound Chip. Two control inputs on the Sound Chip control all reading and writing between the Z80 and the Sound Chip. When an address word is written into U19, the Write Address signal generated at U10-13 falls low at U22, pins 4 and 10, forcing both control inputs, pins 18 and 20 on U19 high. In a similar fashion, the Write Data signal at U22-5, and the Read Data signal at U22-9 are encoded at U22 to control data transactions between the Z80 and U19.

The GI Sound Chip's input/output ports A and B are always programmed as inputs and are used to read option switches SW1 and SW2.

I. AUDIO AMPLIFIERS

There are two audio channels on the disc player. U29 amplifies the sounds on Channel 1, U30 the sounds on Channel 2 and the sounds generated by GI Sound Chip U19.

J. COLOR MONITOR

The monitor used in this system is a standard R.G.B. monitor with a N.T.S.C. Decoder Board. 115V from the power supply's Isolation Transformer reach the monitor through a 2-pin flying lead. Video signals travel through a COAX cable from the videodisc player to P103 of the monitor's NTSC decoder board.

See Chapter 4 for additional information on the monitor and the NTSC Decoder.

K. POWER SUPPLY

There are four versions of the power supply. All of the versions have outputs of +5V DC regulated and +25V unregulated power. The +25V is regulated down to +14V by the Z80 Controller for usage with audio amplifiers U29 and U30. All versions also output of 6.3V AC to the coin door lamps. Some version have -25V and other outputs that are not used.

NOTE: The first fuse on all versions (F1) should be a five-amp MDL, even if the white silkscreen markings on the PC board say otherwise. If a game appears to lose power, make sure that F1 is a five-amp MDL fuse.

L. AUDIO AMPLIFIER POWER SUPPLY

Composed of VR1, Q3, and other discrete components, the Audio Amplifier Power Supply circuit supplies approximately 14 volts to Audio Amplifiers U29 and U30. A 3-Terminal voltage regulator chip, VR1 is used to drive the base of Q3 with +15V. Q3 is configured as an emitter-follower. The output of the circuit is the emitter Q3. The voltage at the emitter of Q3 is normally 14.3V.

M. PLAYER INTERFACE

All player controls and the coin switches are read by the Z80 via input registers U8 and U14. All player control inputs are furnished with pull-up resistors and RC de-coupling networks.

N. DISC PLAYER INTERFACE

The disc player interface is composed of U20, U21, and U16. In games with Pioneer 7820 disc players, U16 feeds both the ENTER+ and the INT/EXT signals to the disc player. The signal OUT DISC DATA+ at U16-5 is fed to the output enable pin at U21-1. U21 is used to send control words to the disc player. U20 is not used with the 7820. Games with 7820 players should have board serial numbers below 6000.

In games with the Pioneer LDV-1000 player, the only signal sent to the player from the Z80 is the INT/EXT signal generated at U16-9. The ENTER+ signal is returned from the disc player and is fed to U14-6. U16-5, the output disc data signal, goes high, disabling U21, when the Z80 wishes to read data words from the disc player via U20. Games with LDV-1000 players should have board serial numbers above 6000.

O. COIN COUNTER

The mechanical coin counter is controlled by U16-2. When U16-2 is high or disabled, no base current is drawn thru Q2. (Q2 is the coin counter driver transistor). This keeps the coin counter de-energized. When the Z80 wishes to register a coin count, it will drop U16-2 low, thereby drawing base current through Q2, turning Q2 on, and bringing the collector of Q2 to approximately 4.7 volts. After a delay of at least 50 milliseconds, the Z80 will force U16-2 high.

To prevent false coin counts on power-up, U16-1 is connected to RESET+. This connection disables U16 until the program can start

running, forcing U16-2 high and de-energizing the coin counter.

P. LED DISPLAY BOARD

The LED display board is composed of two identical circuits. Each circuit has eight common anode displays and one multiplexer chip. The following is a description of one of these identical circuits.

The multiplexer chip has a memory of eight words, with four bits to each word. The Z80 writes into any location of this memory by setting appropriate highs and lows on address lines A0 through A2. The Z80 selects the character to be written into the memory by placing data on D0 through D3, thereby supplying a WRITE pulse to pin 8 of the multiplexer chip. Address lines A0 through A2 and data lines D0 through D3 are connected to the Z80's address and data bus by a 16-ribbon cable attached to the two boards. Display enable signals DEN 1 and DEN 2 are generated by address decoder U10, pins 7 and 9 on the Z80 Board.

CHAPTER 3

ON-BOARD DIAGNOSTICS

The on-board diagnostics are a series of tests performed on the system's hardware to verify whether or not the hardware is fully functional. Resident in the Z80A game program EPROM, the diagnostic software routines are initiated by appropriate option switch setting (see appropriate Appendix) when the game is powered up.

Once initiated, the diagnostic program cycles through the following tests. The results of these tests flash consecutively on the monitor display.

A. RAM TEST

Each RAM cell is loaded with 55H and read to insure that all of the cells retained the data. The RAM is then reloaded with 0AAH, which causes every bit in every cell to be inverted. The RAM is then read again to verify data retention. If all cells are operating properly, the diagnostics proceed to the EPROM Test. If a bad cell is found, the system displays "RAM test failed" on the monitor and halts until it receives a reset.

B. EPROM TEST

There are five 8K-byte EPROMs within the system. The Diagnostic program calculates each EPROM's checksum and compares it to pre-stored correct checksum values. If all of the checksums match, the program continues with the security device test. If an EPROM fails, the monitor displays the words "ROM test failed" and the address location of the bad EPROM. The correct address locations are listed in the following table:

Checksum no.	Address Location	EPROM Address
1	OFFF6H	0000H-1FFFH
2	OFFF8H	2000H-3FFFH
3	OFFFAH	4000H-5FFFH
4	OFFFCH	6000H-7FFFH
5	OFFFEH	8000H-9FFFH

C. SECURITY DEVICE TEST

May or may not be implemented. Please disregard.

D. SOUND TEST

The program outputs a tone scale to each of the three channels of the GI Sound Chip. Check the volume control while these sounds are playing. If no sound is heard, check the AY-3-8910 Sound Chip.

E. DISPLAY TEST

The seven segment Player 1 and Player 2 displays now cycle through all of their available digits; each display should progress through the numbers 0 through 9. No rating of PASS or FAIL appears on the monitor. Simply watch the displays themselves to ensure that they are operating properly.

F. KEYBOARD TEST

This test checks the operation of the player controls. During the fifteen-second period of the test, push all of the player control buttons and operate the joystick. One seven-segment display corresponds to each of the controls and to each direction of the joystick. Each time a control is operated, a zero should appear in its corresponding display. The monitor displays the diagram shown below, a table indicating which display corresponds to each control.

PLAYER 1 SCORE

	ACTION	RIGHT	LEFT	DOWN	UP
--	--------	-------	------	------	----

PLAYER 2 SCORE

P1	P2	COIN 1	COIN 2		
----	----	--------	--------	--	--

G. COLOR TEST

The program now displays the image of a dead Dirk or a color test pattern. Adjust the video monitor till the colors in this image are satisfactory. This image stays on the monitor until the diagnostic dipswitch is disabled.

H. SERVICE DIAGNOSTICS AND SIGNATURE ANALYSIS

A set of ten test EPROMs and documentation for their use in service diagnostics and signature analysis for the Z80 controller

board are available at an additional cost. The troubleshooting procedures using the test EPROMs assume a relatively advanced level of technical expertise and are, therefore, not included in this manual.

For information on purchasing a set of Diagnostic EPROMs, please contact Cinematronics' Customer Service Department.

CHAPTER 4

ELECTROHOME MONITOR AND NTSC DECODER BOARD SUPPLEMENT INFORMATION

NTSC DECODER BOARD ALIGNMENT PROCEDURE

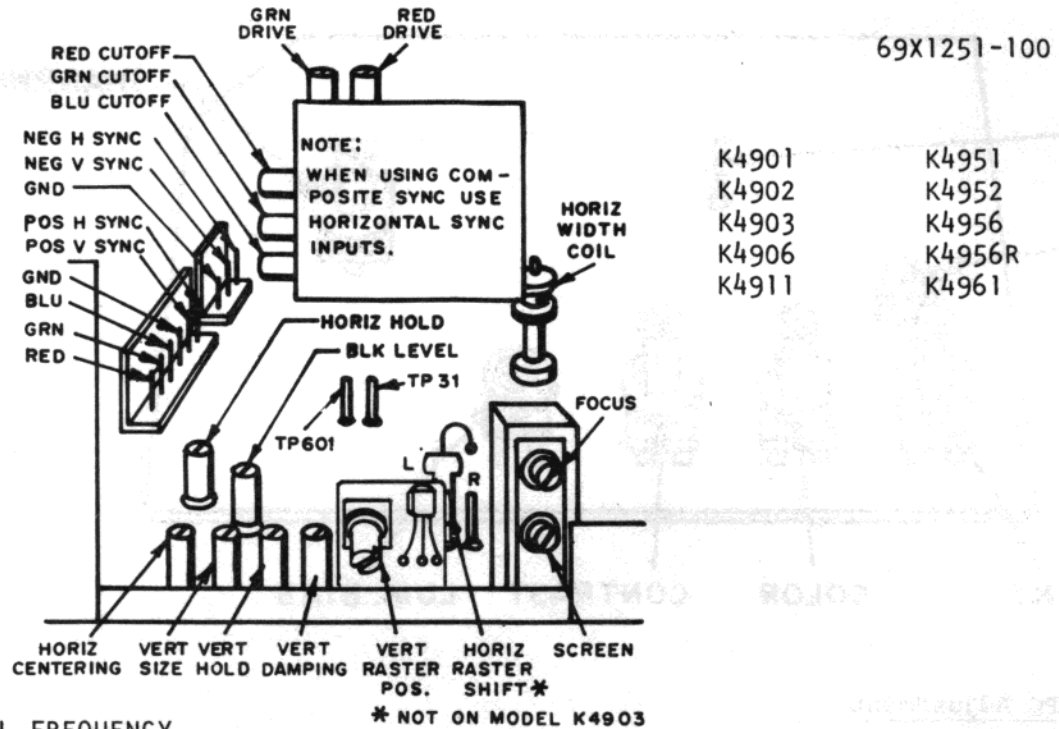
PRELIMINARY

Set all six PCB controls to mechanical center except the sub-contrast (R107) which is set to the full clockwise position.

SET-UP:

1. Connect a composite video color bar signal at 1.0V pp to the PCB input at P101.
2. Adjust sub-contrast (R107) for maximum contrast with no overdrive. Overdrive appears as vertical white bars between the color bars, most noticeable between the yellow and cyan bars.
3. Adjust sub-brilliance (R130) until the black portion of the color bar pattern just turns black (raster just extinguished).
4. Critically adjust trimmer capacitor C124 to center of color lock-in range. It is a good idea to power PCB monitor off for a few seconds, then back on to ensure color lock.
5. Set chroma input level (R144) fully clockwise, then rotate slowly counterclockwise until color appears, then rotate counterclockwise another 30-40 degrees.
6. Connect scope at 10 microsec/div (AC couple) to blue output (P103-6). Adjust L101(3.58 MHz trap) for minimum of 3.58 MHz carrier riding on video signal.
7. With scope at blue output, adjust sub-brilliance (R130) and contrast pre-set (R106) for a black level of 0.5 volts and a peak white level of 4.0 volts respectively.
8. With scope at blue output, adjust sub-color (R139) so that the peak level for the grey bar and the peak level for the blue bar are equal.
9. Connect the scope to the green output (P103-5) and adjust the sub-tint so that the peak level for the cyan bar and the peak level for the green bar are equal.
10. If necessary, re-adjust the contrast pre-set (R106) for a peak white level of 4.0 volts (3.5V above black level).

NOTE: All of the preceding information is taken directly from ELECTROHOME ELECTRONICS' Service and Operation Manual: G07-19" R.G.B. Colour Monitor, January 1981, and from ELECTROHOME ELECTRONICS' Supplement Service Data: NTSC Decoder, July 1983.



1. HORIZONTAL FREQUENCY

With the monitor being driven from the game signal, connect a jumper between TP601 and TP31. Adjust the horizontal hold control until picture stops sliding horizontally, remove jumper. Do not use the horizontal hold control for horizontal centering. (See #3) NOTE: When game sync is composite, use horizontal sync input.

2. PICTURE SIZE

Adjust the vertical size control, and the horizontal width coil for desired picture size.

3. PICTURE CENTERING

If the video is off center vertically, turn the vertical raster position control to move the raster up or down. If the video is off center horizontally adjust the horizontal video position (Horiz. Centering) control to center the picture. If any additional horizontal positioning is required, move the horizontal raster position adjustment jumper (Horiz. Raster Shift) to the left or the right position.

4. VERTICAL DAMPING

Adjustment of this control is required only if the monitor is being used with a game in which the top several raster lines are visible on the screen. Adjust the vertical damping control for uniform spacing of the top raster lines.

5. BLACK LEVEL

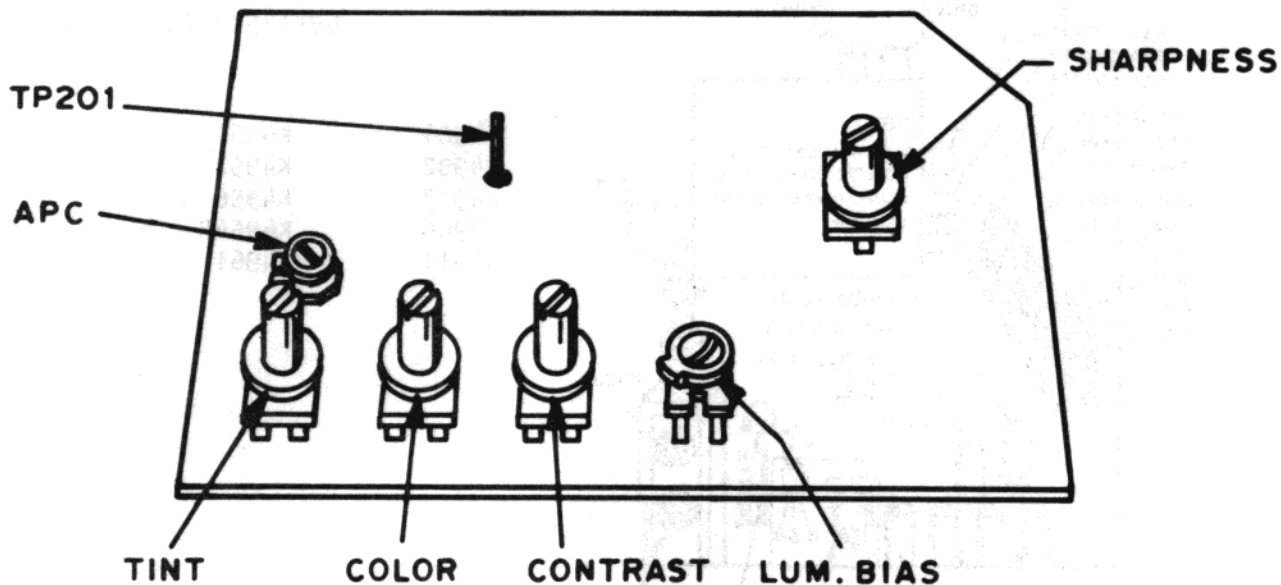
Adjust the black level control to obtain the proper black level (the black portion of the picture just extinguished). Do not use the screen control to set the black level.

6. FOCUS

Adjust the focus control for best overall definition and fine picture detail.

WELLS-GARDNER
COMPOSITE VIDEO SET-UP INSTRUCTIONS

4.4
1.9.84



APC Adjustment

This adjustment should be made only when the Chroma IC (IC201), parts of the APC circuit have been replaced, or when the picture colors are unstable.

Procedures:

1. Apply a color bar signal to the Video Input Terminal.
2. Turn the Color Control fully clockwise and position the Tint Control at its mechanical center.
3. Connect a jumper between TP201 and ground.
4. Turn the APC Adj. Control VR201 until the color bars on the screen are synchronized.
5. Remove jumper.

Luminance Bias Adjustment

This is a factory adjusted control and should require no further attention. If however, it becomes necessary the procedure is as follows:

1. Connect a D.C. oscilloscope to one of the video outputs.
2. Turn the lum. bias control fully counter-clockwise.
3. Slowly turn the control in the clockwise direction until the black level is just at the sync tips. The sync appears just fully compressed.

APPENDIX A

PARTS LIST

Part numbers for the major assemblies (e.g. circuit board, control panel, etc.) are prefixed by 38-. The components used in making up an assembly are listed directly beneath that assembly.

For assistance or additional information, please call Cinematronics, Inc. (619)562-7000 or (800)854-2666.

<u>Part Number</u>	<u>Part Description</u>
38-12158-01	Laser Disc Player, LD-V1000
38-12127-01	Laser Disc Player, PR7820
25-12030-02	Shock Isolator
20-10868-12	Bracket, Drawer
01-11965-01	Air Filter
20-10873-01	Bracket, Air Filter
41-11926-01	Conn, 2 Cir Plug Molex #19-09-20
35-10614-01	Pin, Male, Molex
02-12092-01	Video Disc, Dragon's Lair
38-11863-01	Monitor, 19" NTSC Color
81-12057-01	NTSC Decoder Board, Electrohome
81-12057-02	NTSC Decoder Board, Wells-Gardner
81-12036-01	PCA, Display
44-12054-01	IC, ICM7218D
65-11533-01	LED, MAN8940
63-10784-01	Cap, .1MF 50V Disc 20%
63-11042-01	Cap, 470MF 35V Elec
41-10652-01	Conn, 16 Cir, M Header
80-12036-01	PCB, Display
36-11547-01	Socket, Dip 28Cir
38-12065-01	Assy, Cntl Panel, Dragon's Lair
20-11972-01	Cntrl Panel, Dragon's Lair
22-12066-01	Decal, Lexan, Dragon's Lair Control Panel
37-11192-01	Button, Short, White
37-11192-02	Button, Short, Red
37-11373-01	Switch, W/Plastic Mntg Brkt, Short
38-11396-01	Assy, Joystick, 8 Pos, Leafswitch
87-11679-11	Assy, Harness, Cntl Panel
38-12088-01	Assy, Circuit Panel, Magicom
81-12035-01	PCA, Main Board
44-11833-01	IC, Z80A (4 MHZ)
44-11486-01	IC, 74LS244
44-11487-01	IC, 74LS245
44-11890-01	IC, 4016(200NS)
44-11029-01	IC, 74LS138
44-12053-01	IC, AY-3-8910 (GI)

69-12064-01	Crystal, 4 MHZ, Fundamental
37-12050-01	Switch, Dip 8POS
37-11535-01	Switch, Pushbutton, 39-251-Red
44-11028-01	IC, 74LS74
44-10700-01	IC, 74S04
44-10677-01	IC, 74LS00
44-11492-01	IC, 74LS374
44-10697-01	IC, 74LS393
44-10680-01	IC, 74LS08
44-12055-01	IC, LM383 (NS)
20-10521-01	Heat Sink, Thermalloy 6072B
20-10520-01	Heat Sink, Thermalloy 6071B
44-10673-01	IC, 7815-C
66-10816-01	Transistor, NPN 2N3904
66-10817-01	Transistor, PNP 2N3906
66-10823-01	Transistor, NPN 2N5878
20-10537-01	Heatsink, Thermalloy 6060
65-10993-01	Diode, 1N914
65-10812-01	Diode, 1N4003, ENCPL
69-11898-01	Crystal, 16MHZ Fundamental
53-10743-01	Res, 4.7K OHM 1/4W 5% C.
53-10746-01	Res, 10K OHM 1/4W 5% C.
53-11123-01	Res, 0 OHM 5% C.
53-11684-01	Res, 220 OHM 1/4W 5% C.
53-10734-01	Res, 1K OHM 1/4W 5% C.
53-10731-01	Res, 330 OHM 1/4W 5% C.
53-10920-01	Res, 5.1K OHM 1/4W 5% C.
53-11044-01	Res, 510 OHM 1/4W 5% C.
53-12115-01	Res, 2.2 OHM 1/4W 5% C.
53-10771-01	Res, 360 OHM 1W 5% C.
53-10735-01	Res, 1.5K OHM 1/4W 5% C.
53-10730-01	Res, 300 OHM 1/4W 5% C.
63-11128-01	Cap, 22MF 50V Elec RAD
63-11042-01	Cap, 470MF 35V Elec
63-12129-01	Cap, 330PF 50V Disc 20%
63-11370-01	Cap, 10MF 50V Elec
63-12130-01	Cap, 0.2MF 50V Ceramic Disc, 20%
63-11127-01	Cap, 1.0MF 50V Elec RAD
63-10784-01	Cap, .1MF 50V Disc 20%
63-10944-01	Cap, 100MF 35V Elec RAD
63-10940-01	Cap, .001MF 50V Disc 20%
63-10781-01	Cap, 005MF 50V Disc 20%
41-10652-01	Conn, 16 Cir, M Header
41-11895-01	Conn, 40 Cir, M Header
36-10621-01	Socket, 24 Pin, I.C., Dip Solderta
36-11784-01	Socket, 40 Pin Diptail
41-12113-01	Conn, 36 Pin Body Molex
41-12114-01	Pins, Solder, Molex
80-12035-01	PCB, Main Logic
81-12056-01	PCA, ROM
02-12091-01	EPROM, 2764,250 NS,U1, Dragon's Lair
02-12091-02	EPROM, 2764,250 NS,U2, Dragon's Lair

02-12091-03	EPROM, 2764,250 NS,U3, Dragon's Lair
02-12091-04	EPROM, 2764,250 NS,U4, Dragon's Lair
02-12091-05	EPROM, 2764,250 NS,U5, Dragon's Lair
63-11042-01	Cap, 470MF 35V Elec
63-10784-01	Cap, .1MF 50V Disc 20%
41-11895-01	Conn, 40 Cir, M Header
36-11547-01	Socket, Dip 28Cir
80-12056-01	PCB, ROM
20-12092-01	Plate, Circuit Mounting
87-12093-01	Assy, R. CBL. 40Cir 3"
05-12092-01	Set of Rev. C EPROMS (Speed Up Kit)
38-11701-01	Assy, Power Plate
20-11606-01	Plate, Mntg, P/S, Trans
38-11723-01	Assy, Trans ISOL Ravenswood
43-11704-01	Trans, ISOL Ravenswood 105P9
87-11767-01	Assy, Harn, Trans GND
82-10842-30	P/S, Data Power
82-10842-01	P/S, National
87-11688-01	Assy, Harn Trans/Mon JG
87-11768-01	Assy, Harn Trans/PS
38-12080-01	Assy, Operator Convenience Panel
20-12078-02	Brkt, Operator Convience Pnl
26-10589-01	Knob, Volume
29-11754-01	Meter, Coin 6 Volt
51-10722-01	POT, W.LK. Washer/Nut, 10K OHM
65-10812-01	Diode, 1N4003, ENCPL
87-12084-01	Assy, Harness Operator Convenience Panel
38-12081-01	Assy, AC Input Panel
20-12093-01	Plate, AC Input Panel
37-10893-01	Switch, Interlock
63-12131-01	Filter, AC Line, GCM3N1P (Genisco)
38-11704-01	Assy, Coin Door
20-10896-11	Coin Door W/Lamps
22-10899-01	Decal, "CINEMATRONICS"
87-11680-02	Assy, Harness, Coin Door
32-12100-03	Cabinet, Upright, DL, LD-V1000
38-12071-01	Assy, Marquee, Dragon's Lair
21-12069-01	Plexi, Marquee
22-12098-01	Decal, Lexan, Marquee, Dragon's Lair
20-12066-01	Retainer, Upper Marquee
20-12067-01	Retainer, Lower Marquee
21-10831-02	Bezel, CRT, Formed, DL
21-12138-01	Plexi, Rear, Score, Dragon's Lair
21-12139-01	Plexi, Monitor, Dragon's Lair
20-11382-01	Grill, Speaker
71-10834-01	Speaker
20-11420-01	Rail, CRT Mntg.
20-10862-01	Brkt, Coin Box Tong
20-10864-01	Handle, Coin Box
20-10871-01	Coin Box

20-10872-03	Cover, Coin Drawer
01-10505-01	Lamp, Fluorescent
26-10588-01	Fixture, Lamp, Fluorescent
87-12139-01	Assy, Main Harness
87-12140-01	Assy, Player Interface
87-12141-01	Assy, Cable, Display
87-12143-01	Power Cord
87-12142-01	Cable, BNC to BNC
01-11963-01	Fan, Muffin, 50 CFM
01-11964-01	Fan Guard, Muffin, Filter
22-12099-01	Decal, Side, Dragon's Lair
21-12140-01	Plexi, Film Smoked, 6 1/2 X 8 1/2

APPENDIX B

GAME SETTING OPTIONS - DRAGON'S LAIR

DIPSWITCH SPECIFICATION:

The following game options are controlled by Dipswitches 1 and 2 on the main CPU board:

- I. Attract Mode and Joystick Sound
- II. Number of Coins Required for One Credit
- III. Number of Dirks per Credit and Length of Play
- IV. Playtest and Diagnostic
- V. Difficulty Level
- VI. Play-As-You-Go Play

Some options are controlled by individual switch settings, others by combinations of switch settings. Points B0 through B7, marked in white on the PC board, correspond to switches 1 through 8 respectively on Dipswitch 1. Points A0 through A7 correspond to switches 1 through 8 respectively on Dipswitch 2. BEFORE ADJUSTING SWITCHES, TURN POWER OFF AND UNPLUG POWER CORD.

A. ATTRACT MODE AND JOYSTICK SOUND

POINT	POSITION	FUNCTION
B0	OFF	Sound on every 8th attract mode sequence.
B1	OFF	No sound during attract mode sequences.
B3	OFF	Joystick feedback sound on.

B. NUMBER OF COINS REQUIRED FOR ONE CREDIT

NOTE: one credit = one game

SWITCH COMBINATION		NUMBER OF COINS REQUIRED FOR ONE CREDIT
A1	A0	
ON	ON	2
ON	OFF	3
OFF	ON	4
OFF	OFF	Not used

C. NUMBER OF DIRKS PER CREDIT AND LENGTH OF PLAY

POINT	POSITION	NUMBER OF DIRKS PER CREDIT
A5	ON	3
A5	OFF	5
B2	OFF	Unlimited Dirks for testing purposes.
A4	OFF	2 credits at all times/free play.

D. PLAYTEST AND DIAGNOSTIC

POINT	POSITION	FUNCTION
A3	OFF	Playtest Switch for engineering use.
A7	First ON, then OFF.	Diagnostics. To run diagnostics, set A7 to the ON position, and power up the game. Wait until you hear two beeps. The second beep indicates that the disc player has been initialized. After the second beep, turn A7 to OFF, and run diagnostics. To rerun diagnostics, press the RESET button, Sw 3 on the PC board.

E. GAME DIFFICULTY LEVELS

SWITCH COMBINATION

A2	B4	B7	DIFFICULTY LEVEL
ON/OFF	ON/OFF	OFF	Easy
ON	OFF	ON	Difficulty is dependent upon player's ability. Easy at the onset of every game, play automatically increases in difficulty when a player survives 9 consecutive sequences of challenges.
ON	ON	ON	Difficulty is dependent upon player's ability. Easy at the onset of every game, play automatically increases in difficulty when a player survives 5 consecutive sequences of challenges.
OFF	ON	ON	Hard.

F. PAY-AS-YOU-GO PLAY OPTIONS

SWITCH COMBINATION					OPTION
A0	A1	A6	B5	B6	
ON/OFF	ON/OFF	ON	ON/OFF	ON/OFF	Pay-as-you-go setting is off. A specific number of coins must be deposited before game play begins. Game then plays from start to finish without interruptions.
ON	ON	OFF	ON	ON	Game play stops once, 2/3 of the way to the dragon's lair. At this time, the player must deposit more money if he wishes to continue. After the required amount of money is deposited, play resumes from the the interruption point. If the player has less than three Dirks at the point of interruption, he receives one additional Dirk when play resumes. In this option, the game ends when the player finishes the dragon's lair sequence.
ON	ON	OFF	ON	OFF	Game play stops once, 2/3 of the way to the dragon's lair. At this time, the player must deposit more money if he wishes to continue. After the required amount of money is deposited, interruption point.

The player receives no additional Dirks in this option.

The game ends when the player finishes the dragon's lair sequence.

ON ON OFF OFF ON

Game play stops at three regular intervals. At each pause, the player must deposit more money if he wishes to continue. After the required amount of money is deposited, play resumes at the interruption point.

If the player has less than 3 Dirks at a point of interruption, he receives an additional Dirk when play resumes.

In this option, the game does not end after the dragon's lair sequence. Instead, after the dragon's lair sequence, the player may deposit additional coins to prolong play. Play begins again at the first sequence. (No extra Dirks are awarded after the dragon's lair sequence).

ON ON OFF OFF OFF

Game play stops at three regular intervals. At these times, the player must deposit more money if he wishes to continue. After the required amount of money is deposited, play resumes at the interruption point.

B.5
1.9.84

In this option, the player receives no additional Dirks at any time. The game does not end after the dragon's lair sequence. Instead, after the dragon's lair sequence, the player may deposit additional coins to prolong play. Play begins again at the first sequence.

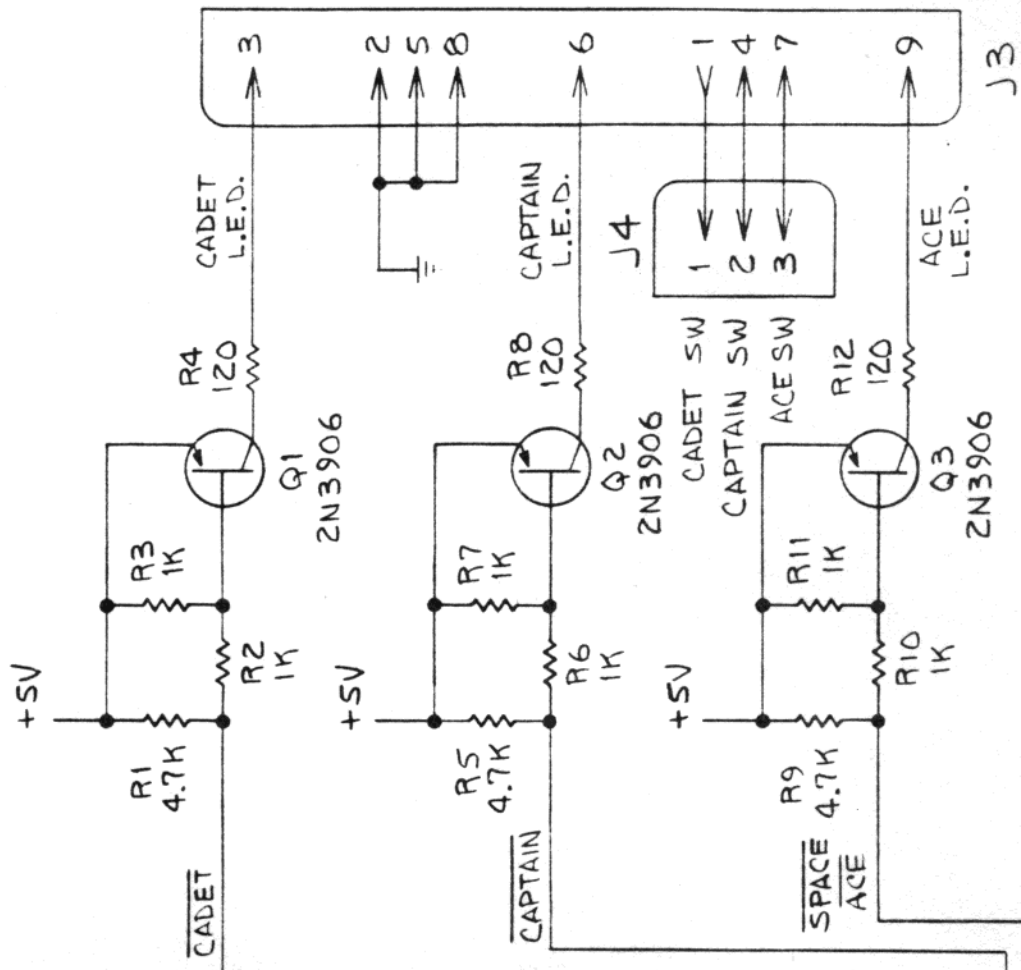
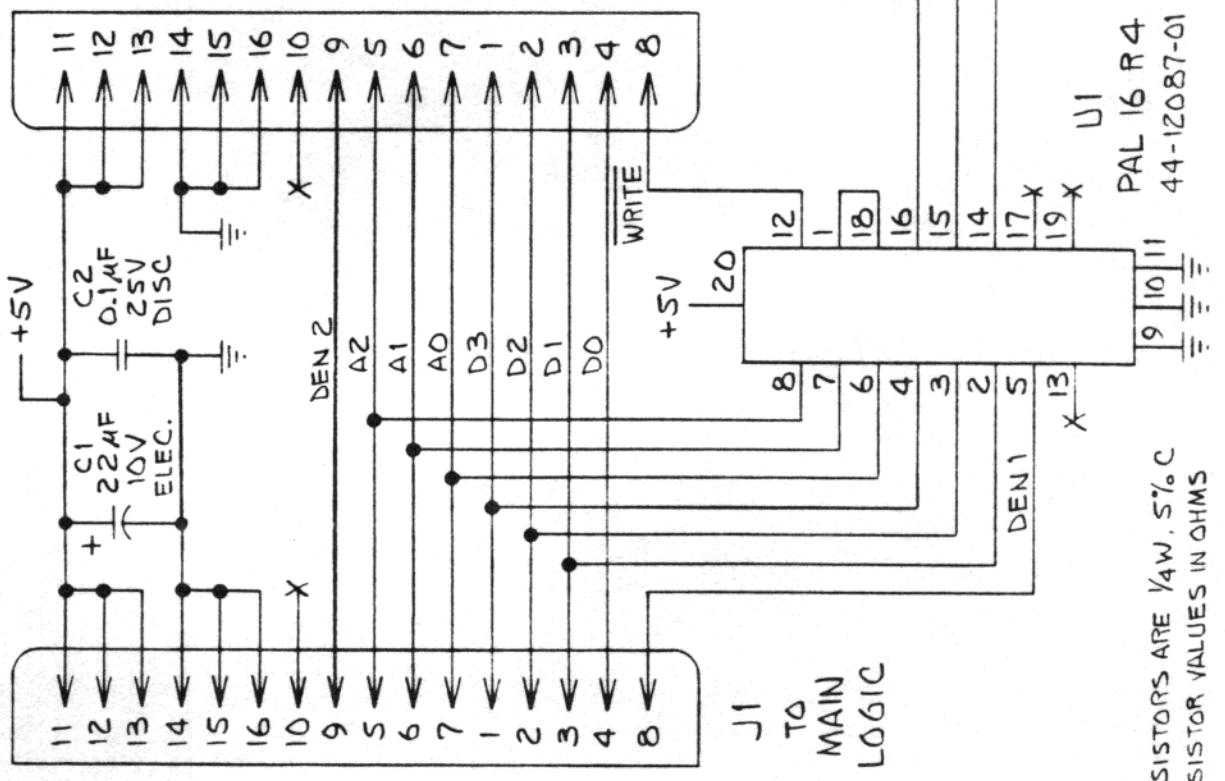
APPENDIX D
SCHEMATICS AND ASSEMBLY DRAWINGS

<u>ORDER OF APPEARANCE</u>	<u>NO. OF PAGES</u>
1. Z80 Controller Board Schematic Revisions	2
2. Z80 Controller Board Schematics Rev. E	2
3. Z80 Controller Board Assembly Rev. A	1
4. Z80 Controller Board Schematics Rev. K	2
5. Z80 Controller Board Assembly Rev. G	1
6. Magicom ROM Schematic	1
7. Magicom ROM Assembly	1
8. Magicom Display Schematic	1
9. Magicom Display Assembly	1
10. Condor Power Supply Schematic	1
11. Data Power Supply Schematic	1
12. National Power Supply Schematic (old)	1
13. National Power Supply Schematic (new)	1
14. Electrohome R.G.B. Monitor Schematic	1
15. Electrohome N.T.S.C. Decoder Schematic	1
16. Electrohome N.T.S.C. Decoder Specifications	1
17. Wells-Gardner R.G.B. Monitor Schematic	1
18. Wells-Gardner N.T.S.C. Decoder Schematic	1
19. Magicom Wiring Harness	2
20. Annunciator Board (Conversion Kit) Schematic	1
21. Annunciator Board (Conversion Kit) Assembly	1
22. Annunciator Board (with Lamps) - Schematic	1
23. Annunciator Board (with Lamps) - Assembly	1

PROPERTY
 THIS DOCUMENT IS THE PROPERTY
 OF CINEMATRONICS INC. AND IS
 NOT TO BE REPRODUCED OR
 DISTRIBUTED WITHOUT WRITTEN
 AUTHORIZATION OF CINEMATRONICS
 INC.

REV	DESCRIPTION	DATE	APPROVED

J2
 TO
 DISPLAY



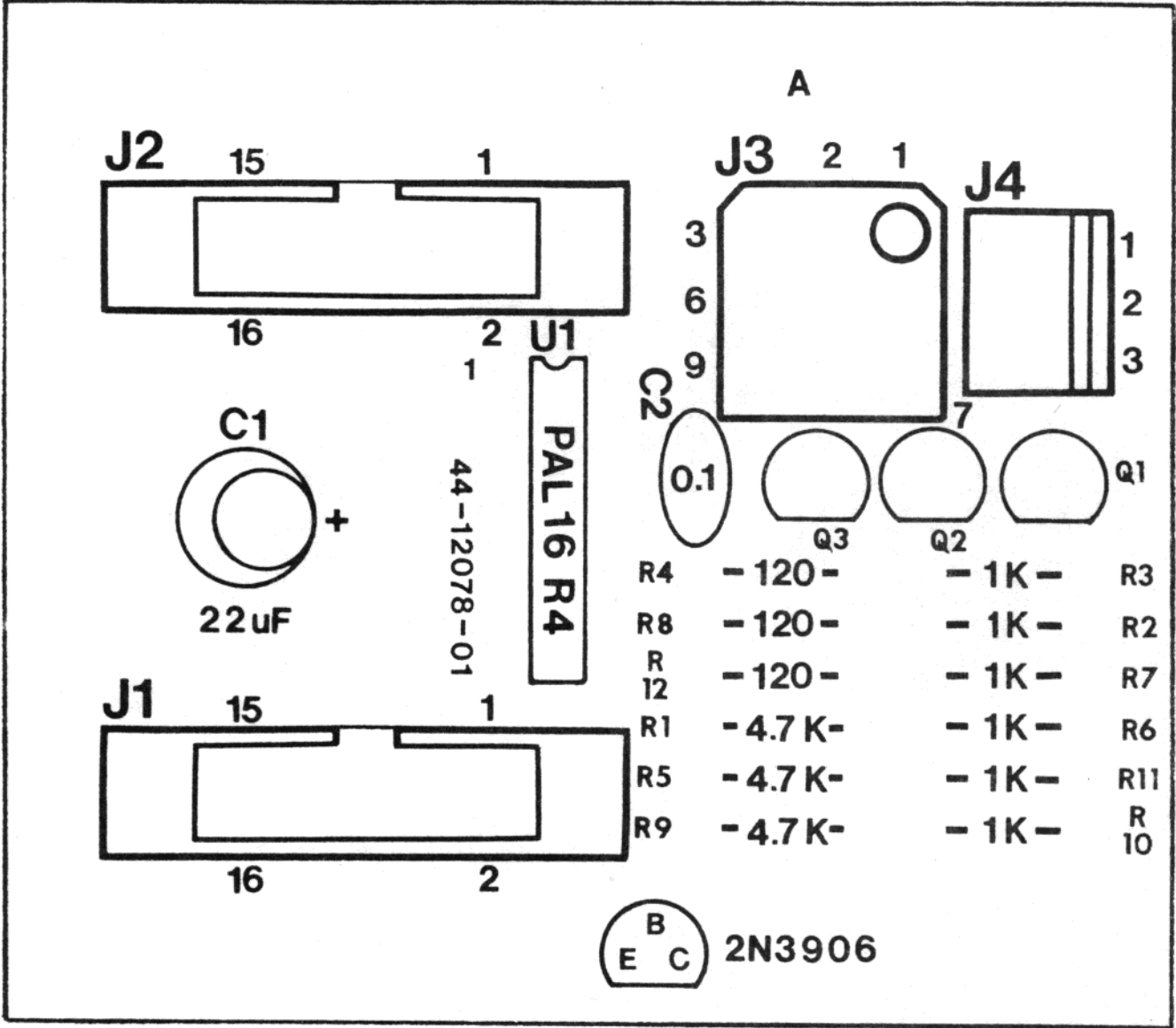
17 JANUARY 1984

DRAWN BY C. S. S. S. S.	DATE	PROJECT ENGR	DATE	RELEASE APPROV	DATE
MATERIAL:			FINISH:		
DO NOT SCALE DWG TOLERANCE UNLESS OTHERWISE SPECIFIED			PROJECTION SCALE		
CINEMATRONICS INC			DWG TITLE PANEL ANNUNCIATOR CONVERSION		
E/C 9200 C# 92020			MODEL NO DWG DWG NO SIZE C 72-12079-01		
REV			A		
CODE IDENT			SHEET 1 OF 1		

U1
 PAL 16 R4
 44-12087-01

2. RESISTORS ARE 1/4W, 5% C
 1. RESISTOR VALUES IN OHMS
 NOTES: UNLESS OTHERWISE SPECIFIED

APPLICATION				REVISIONS		
NEXT ASSY	USED ON	APPROVED	DATE	DESCRIPTION	REV	



UNLESS OTHERWISE SPECIFIED, DIMENSIONS ARE IN INCHES. TOLERANCES ARE:

FRAC.	DEC.	ANGL.
+	.XX±	+
	.XXX±	-

MATERIAL

FINISH

DO NOT SCALE DWG

APPROVALS	DATE
BY <i>davescott</i>	1-28-84
CHK	
APPD	
APPD	
APPD	

El Cajon
Ca.
92020

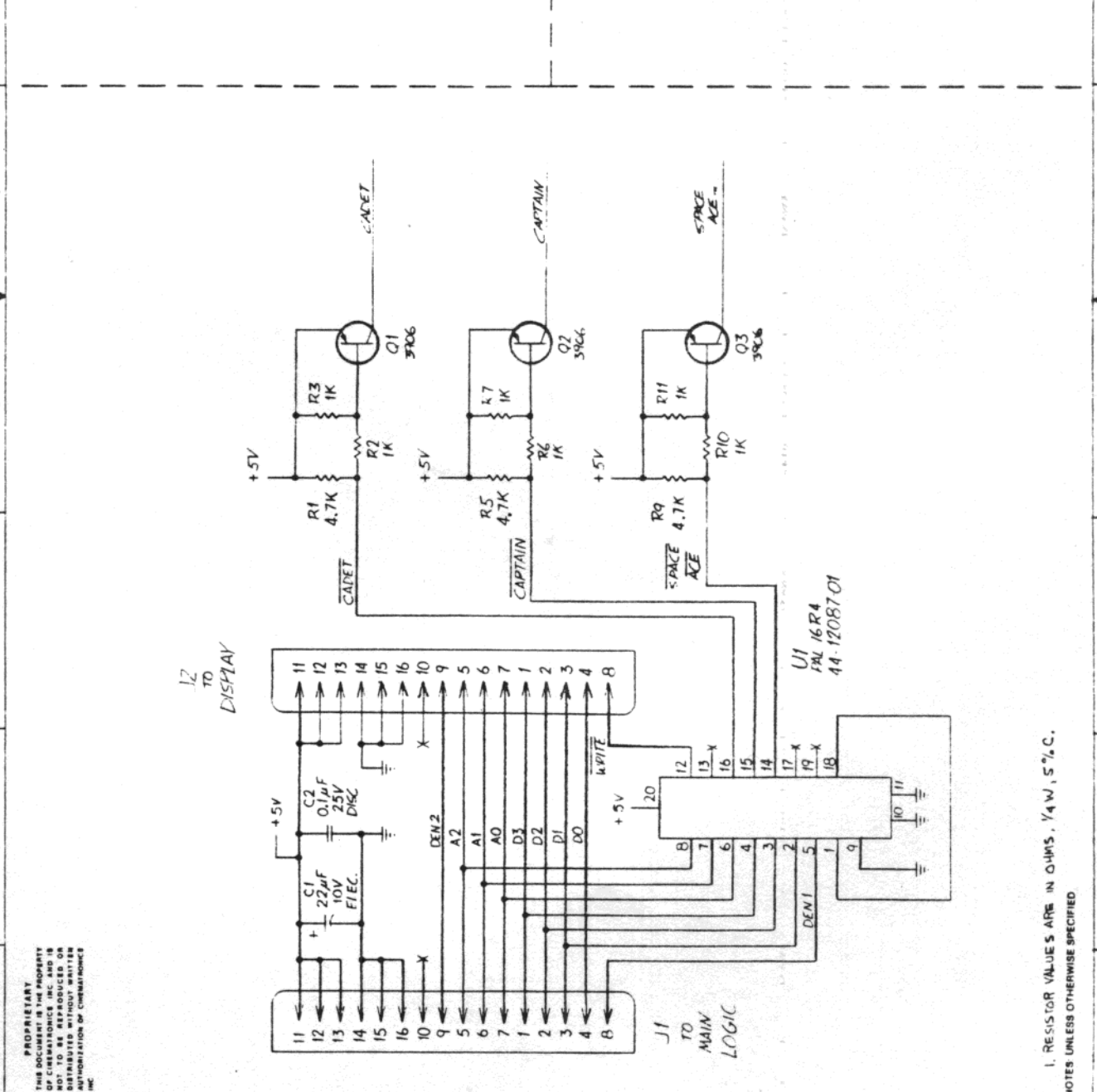
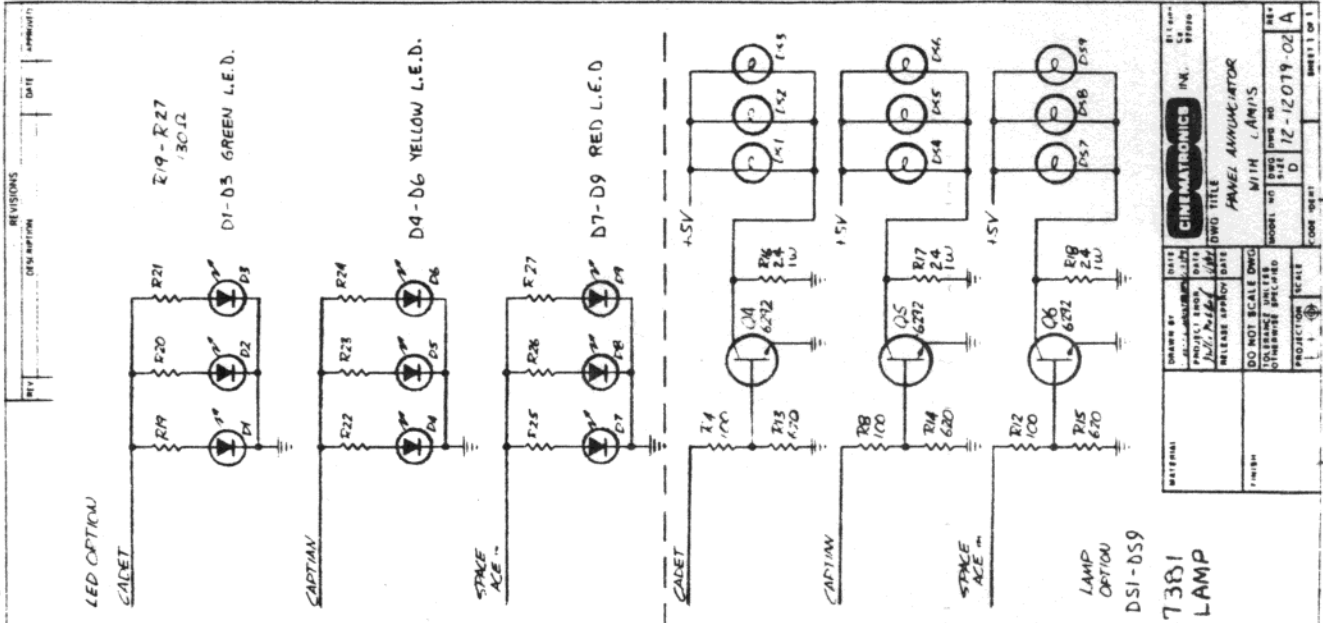
CINEMATRONICS INC.

PANEL ANNUNCIATOR BOARD
CONVERSION

SIZE **A** DRAWING NUMBER **81-12079-01**
REV **A**

SCALE **2:1** SHEET **1 OF 1**

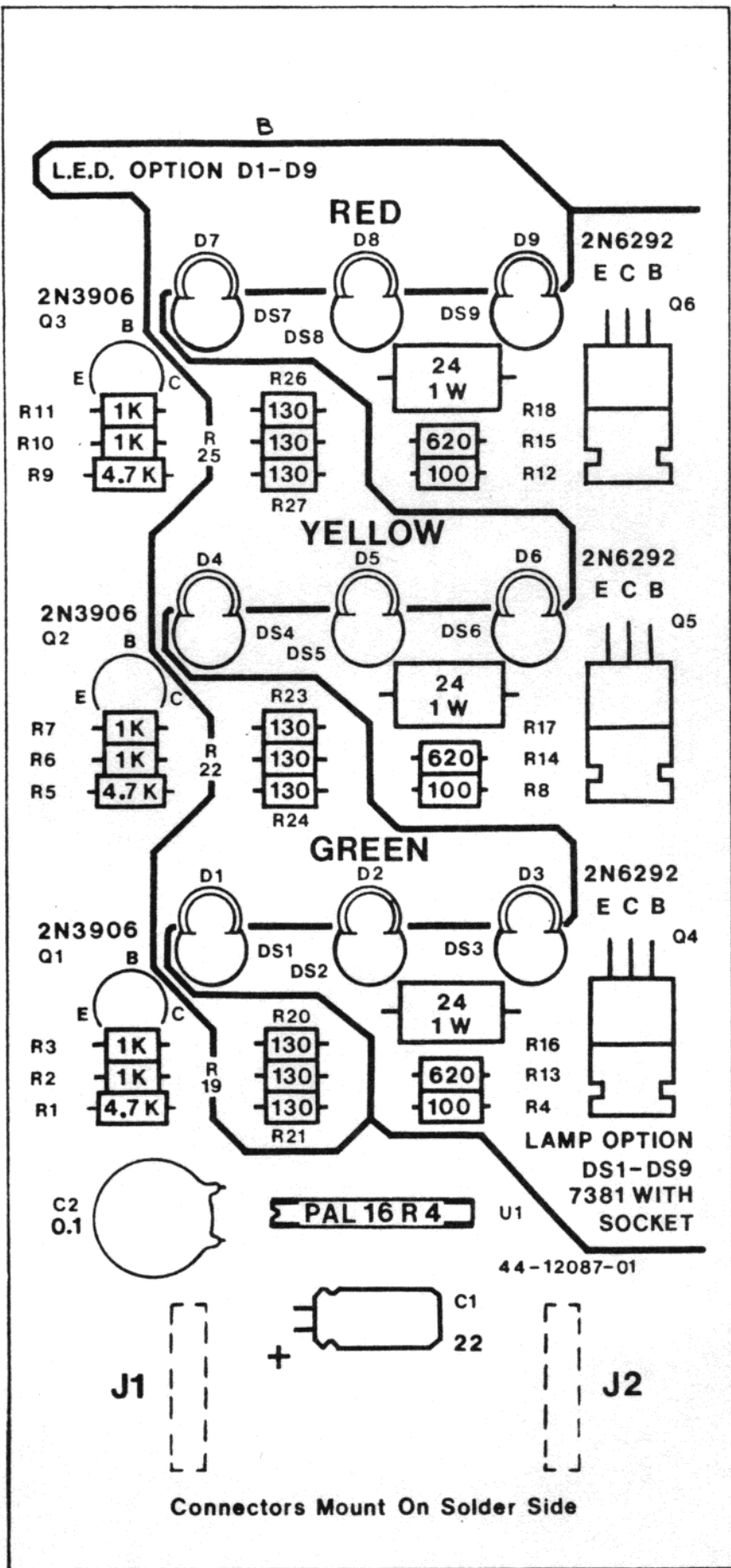
PROPRIETARY
 THIS DOCUMENT IS THE PROPERTY
 OF CINEMATRONICS INC. AND IS
 NOT TO BE REPRODUCED OR
 DISTRIBUTED WITHOUT THE
 AUTHORIZATION OF CINEMATRONICS
 INC.



1. RESISTOR VALUES ARE IN OHMS, 1/4 W, 5% C.
 NOTES UNLESS OTHERWISE SPECIFIED

DATE	BY	APPROVED
DESIGNATION	DATE	DATE
PROJECT NO.	DATE	DATE
REVISED BY	DATE	DATE
ISSUED BY	DATE	DATE
DO NOT SCALE DIMS	DATE	DATE
TOLERANCE UNLESS	DATE	DATE
OTHERWISE SPECIFIED	DATE	DATE
PROJECTION SCALE	DATE	DATE
1	1	1
2	2	2
3	3	3
4	4	4
5	5	5
6	6	6
7	7	7
8	8	8

CINEMATRONICS INC. 11000
 PANEL ANIMATOR WITH LAMPS
 MODEL NO. 12-12019-02 A
 SHEET 1 OF 1



1 FEBRUARY 1984

Ei Cajon Ca. 92020		CINEMATRONICS INC.		DWG TITLE ANNUNCIATOR WITH LAMPS		MODEL NO 81-12079-02		REV B	
DATE		DATE		DATE		DO NOT SCALE DWG		TOLERANCE: UNLESS OTHERWISE SPECIFIED	
DRAWN BY: <i>CLAY SCOTT</i>		PROJECT ENGR:		RELEASE APPROV:		SCALE: 2:1		PROJECTION:	
MATERIAL:		FINISH: BREAK ALL SHARP EDGES AND DEBURR ALL HOLES.							
CODE IDENT.		SHEET 1 OF 1							

PROPRIETARY
THIS DOCUMENT IS THE PROPERTY OF CINEMATRONICS INC. AND IS NOT TO BE REPRODUCED OR DISTRIBUTED WITHOUT WRITTEN AUTHORIZATION OF CINEMATRONICS INC.

MAGICOM MAIN LOGIC SCHEMATIC REVISIONS

- A. Original release.
- B. R3: Was 1K; became 300.
D0 on U20 incorrectly shown as Pin 8. Changed to pin 18 on 6/23/83.
- C. Addition of capacitor C63, 220pf disc between U24, Pin 3 and ground. 6/27/83.
- D. C54: Was 0.001uf disc. Became 0.1uf disc on 6/29/83.
C63: Was 220pf disc. Became 0.001uf disc on 6/29/83.
74LS244 inserted between 4MHz signal and U1 (Z80), Pin 6.
U17, Pins 13 and 7 used - these were formerly a spare gate. 6/29/83.
- E. C40, 0.01 disc tied between U22, Pin 2 and ground is deleted.
74LS244 inserted between Q1 collector and U22, Pins 1 and 2.
U17, Pins 11 and 9 used - these were formerly a spare gate.
U1(Z80), Pin 25 cut from U7 (MC68705P5), Pin 9. U1(Z80), Pin 25 tied to R48 (new addition) 4.7K $\frac{1}{4}$ W 5% resistor. Other side of R48 tied to +5V.
U18(74LS245), Pin 19 cut from U7(68705, Pin 14. U18, Pin 19 tied to +5V.
U17(74LS244), Pin 17 cut from U7, Pin 19. U17, Pin 17 tied to +5V.
U23(74LS244), Pin 1 cut from U22(74LS00), Pin 11. U23, Pin 1 tied to ground.
All of "E" above were effective on 7/8/83.
- F. Deletion of the following effective 7/8/83:
- | | |
|-----|---------|
| U5 | 74LS244 |
| U6 | 74LS393 |
| U12 | 74LS244 |
| U13 | 74LS393 |
| U17 | 74LS244 |
| U18 | 74LS245 |
- Subtitute U23 for U17 (74LS244) for clock signal into Z80 (U1, Pin 6 from U23, Pin 7) and reset signal into U22, Pins 1 and 2 from U23, Pin 9 effective 7/8/83.
- G. C63: Was 0.001uf disc. Became 470pf effective 9/5/83.
- H. Reset signal sent from U23, Pin 9 to U16, Pin 1 to cure false coin count on power up.
- I. Reference letter not used.

1.9.84

J. Correct pin out for inputs on U20(74LS244) effective 9/16/83.

K. C63: Was 470pf disc; became 330pf disc.

C17: Was 330pf mica; became 330pf disc.

Addition of U31(74LS74) to divide clock.

Y1: Was 4.000MHz; became 16.000MHz.

U24: Was 74LS04; became 74S04.

Addition of R29 between U29, Pin 4 and C24.

Addition of R50 between U30, Pin 4 and C50.

These two additions allow option for U29 and 30 with the following components:

	<u>LM383</u>	<u>CA2002</u>
R49, R50	= 0 ohm jumper	2.2 ohm, $\frac{1}{4}$ W 5%
C24, C50	= 0.2 Disc	0.1 disc

Addition of Jumper W1, when installed, allows board to be used with Pioneer 7820 disc player with proper software.

Deleted: U7 MC68705

Addition (reinstallation) U6, 74LS393

U13, 74LS393

U6, Pins 2 and 12, and U13, Pins 2 and 12 all grounds.

U6, Pin 6 tied to U26, Pin 11 (RTC).

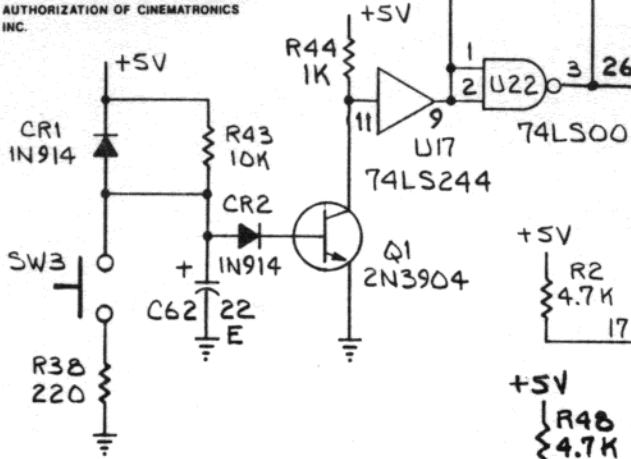
U13, Pin 13 tied to U26, Pin 5 (GI CLK)

All of "K" above effective 10/10/83.

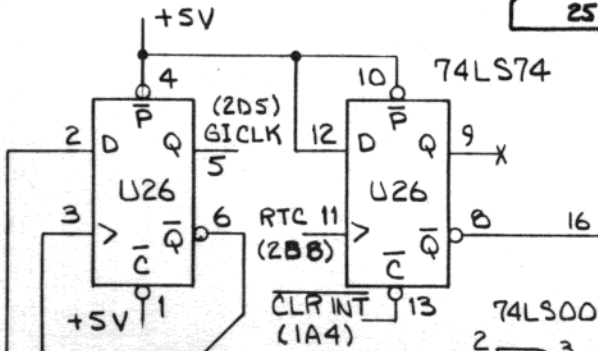
"K" revision schematic is for "C" revision printed circuit board used with LDV-1000 laser disc player.

PROPRIETARY
THIS DOCUMENT IS THE PROPERTY
OF CINEMATRONICS INC. AND IS
NOT TO BE REPRODUCED OR
DISTRIBUTED WITHOUT WRITTEN
AUTHORIZATION OF CINEMATRONICS
INC.

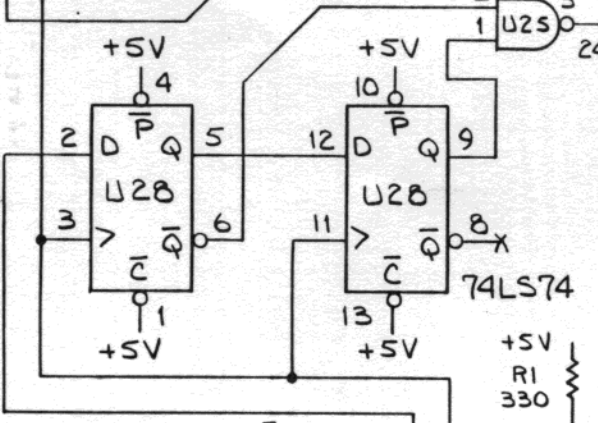
D



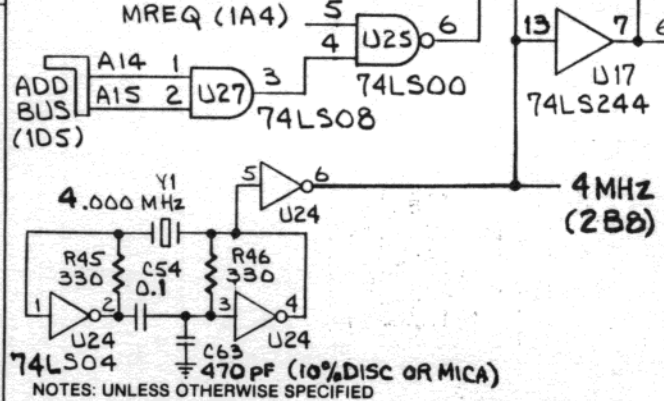
C



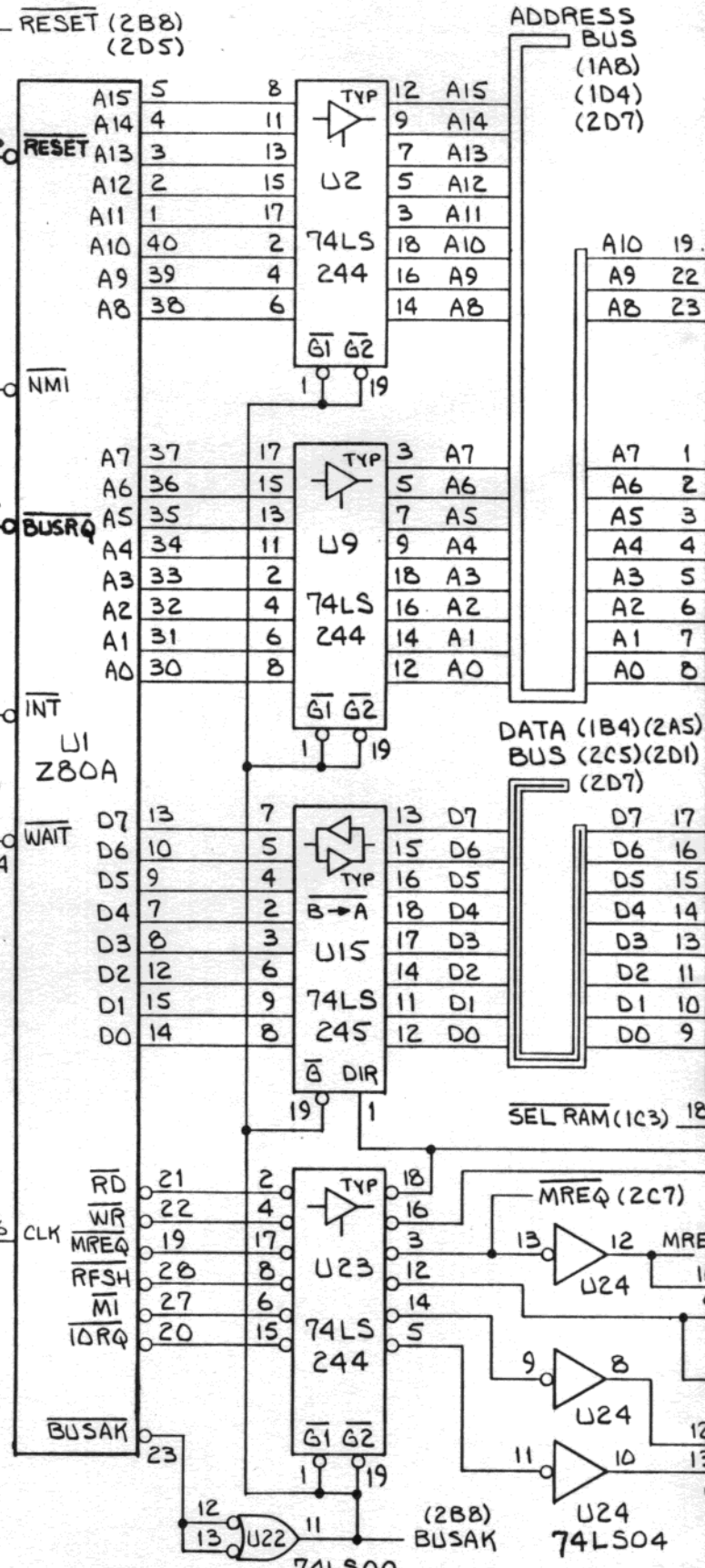
B



A



NOTES: UNLESS OTHERWISE SPECIFIED



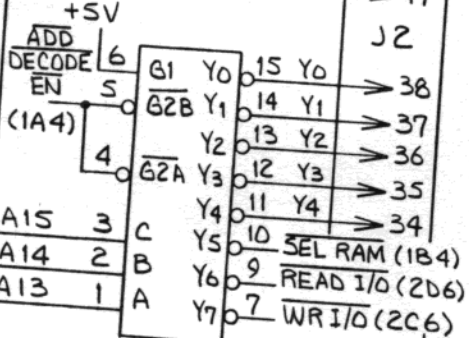
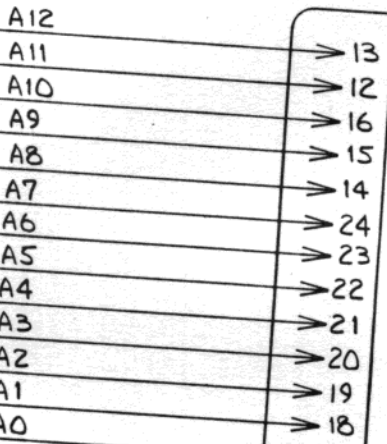
8

7

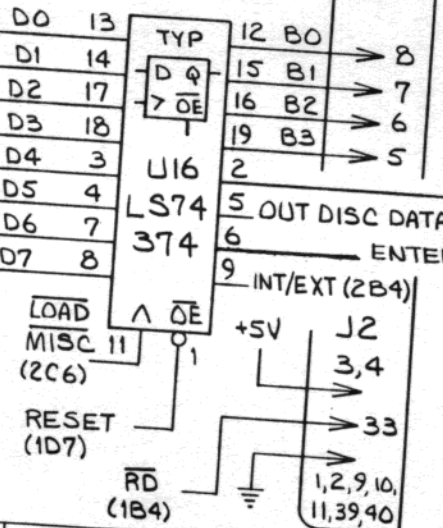
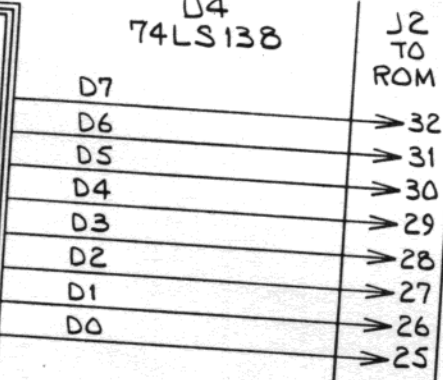
6

5

ADDRESS BUS (1D5)



DATA BUS (1B5)

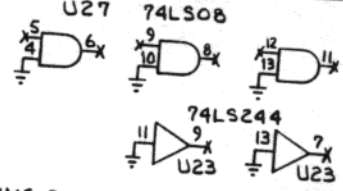


REVISIONS			
REV	DESCRIPTION	DATE	APPROVED

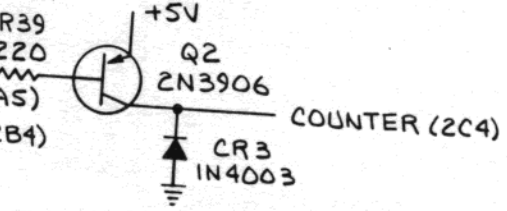
6. POWER DISTRIBUTION

IC REFERENCE	+5V	GND
U19	40	1
U3	24	12
U2, 5, 8, 9, 12, 14-18, 20, 21, 23	20	10
U4, 10, 11	16	8
U6, 13, 22, 24, 25, 26, 27, 28	14	7
U1	11	29
U7	3	1

5 SPARE GATES:



- 4. CONN J1, PINS 3, 4, 8, 18-23 NOT USED
 - 3. C1-4, 13-16, 25-28, 41-46, 52, 53, 55-59 ARE 0.1 DISC BY PASS CAPS
 - 2. CAPACITOR VALUES ARE IN MICRO FARADS CAPS ARE CERAMIC DISC, EXCEPT "E" REFERENCE IS ELECTROLYTIC
 - 1. RESISTOR VALUES IN OHMS; 1/4 W, 5%
- NOTES: UNLESS SPECIFIED OTHERWISE



DRAWN BY: Dave Scott	DATE: 6-83	CINEMATRONICS INC El Cajon Ca 92020
PROJECT ENGR:	DATE:	
RELEASE APPROV:	DATE:	DWG TITLE
DO NOT SCALE DWG		MAGI COM MAIN LOGIC
TOLERANCE: UNLESS OTHERWISE SPECIFIED	MODEL NO:	DWG NO:
PROJECTION: SCALE	SIZE: D	72-12035-01
CODE IDENT:	REV: E	SHEET 1 OF 2

D

C

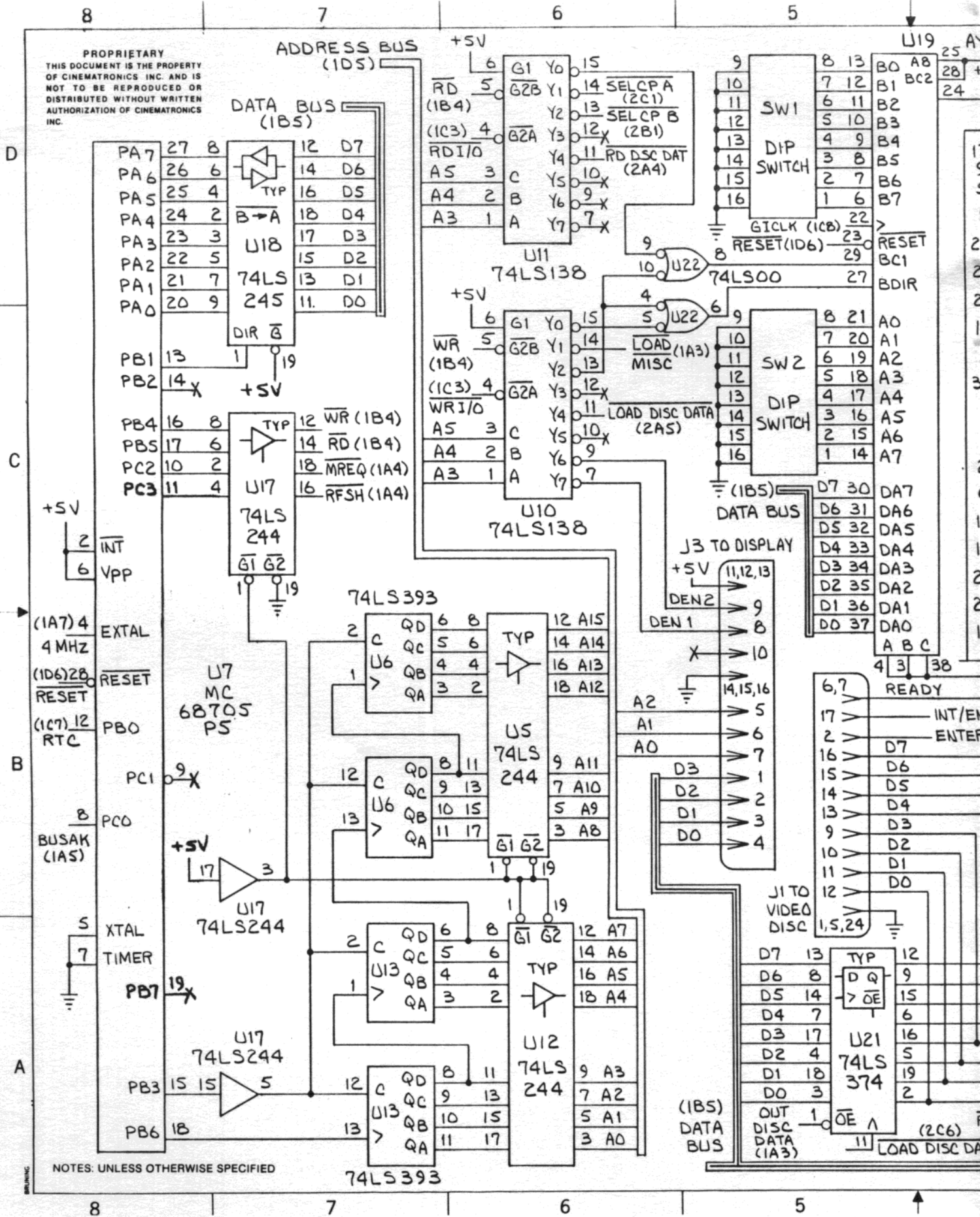
B

A

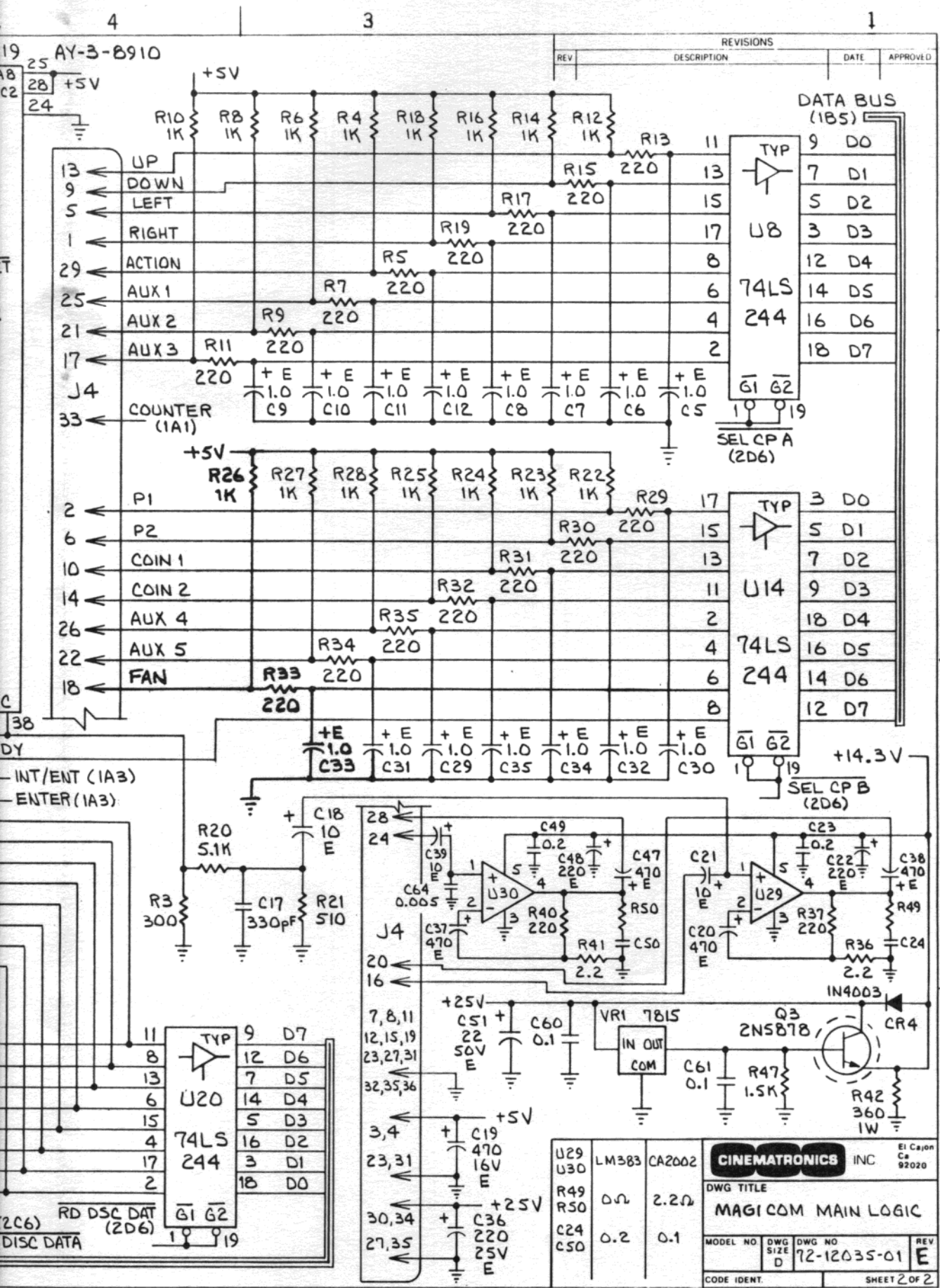
POWER UP COM COUNT FIX CS4; C63

E REV PLUS UPDATES

PROPRIETARY
THIS DOCUMENT IS THE PROPERTY
OF CINEMATRONICS INC. AND IS
NOT TO BE REPRODUCED OR
DISTRIBUTED WITHOUT WRITTEN
AUTHORIZATION OF CINEMATRONICS
INC.



NOTES: UNLESS OTHERWISE SPECIFIED



E REV PLUS UPDATES CA2002 OPTION

REVISIONS			
REV	DESCRIPTION	DATE	APPROVED

U29	LM383	CA2002	CINEMATRONICS INC Ei Cajon Ca 92020
U30	LM383	CA2002	
R49	0Ω	2.2Ω	DWG TITLE MAGICOM MAIN LOGIC
R50	0Ω	2.2Ω	
C24	0.2	0.1	MODEL NO
C50	0.2	0.1	DWG NO
CODE IDENT.			REV
			E
			SHEET 2 OF 2

8

7

6

5

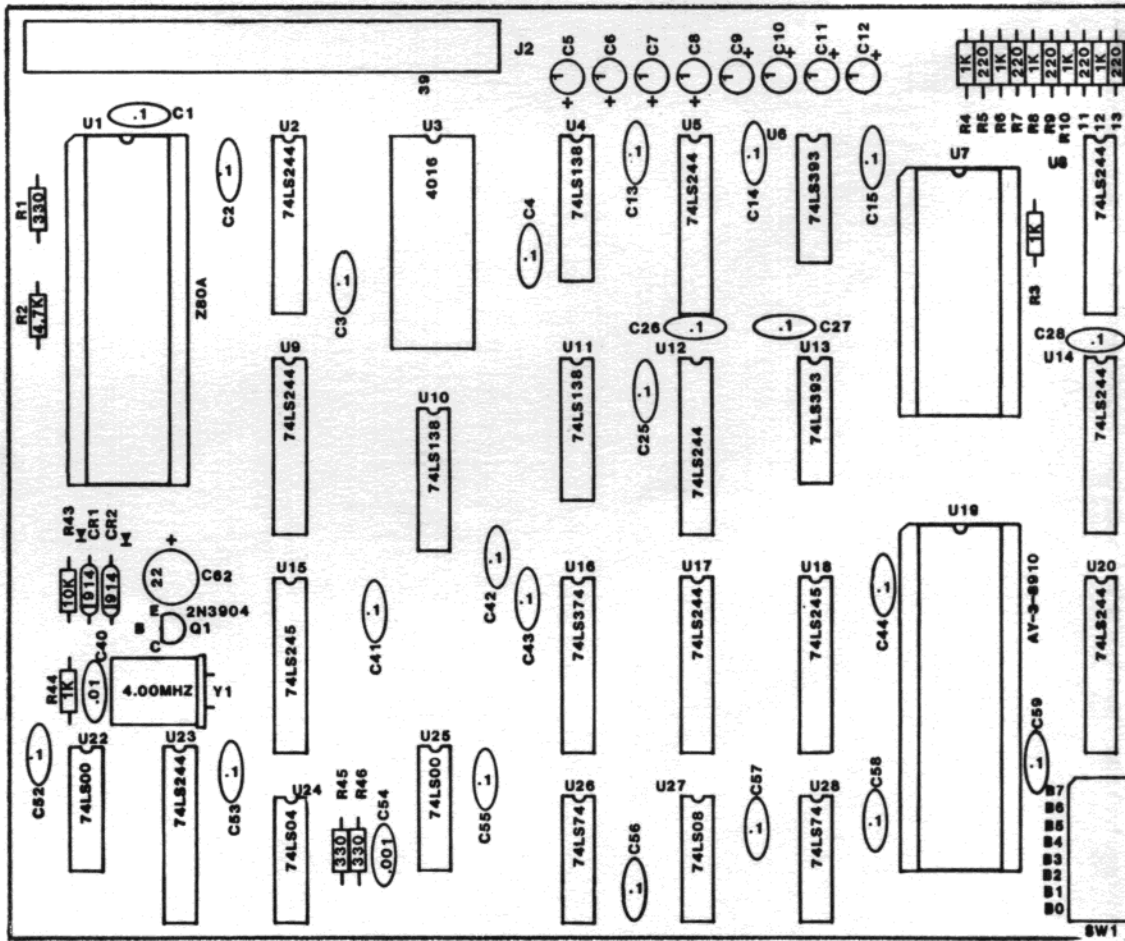
PROPRIETARY
 THIS DOCUMENT IS THE PROPERTY
 OF CINEMATRONICS INC. AND IS
 NOT TO BE REPRODUCED OR
 DISTRIBUTED WITHOUT WRITTEN
 AUTHORIZATION OF CINEMATRONICS
 INC.

D

C

B

A



NOTES: UNLESS OTHERWISE SPECIFIED

8

7

6

5

4

3

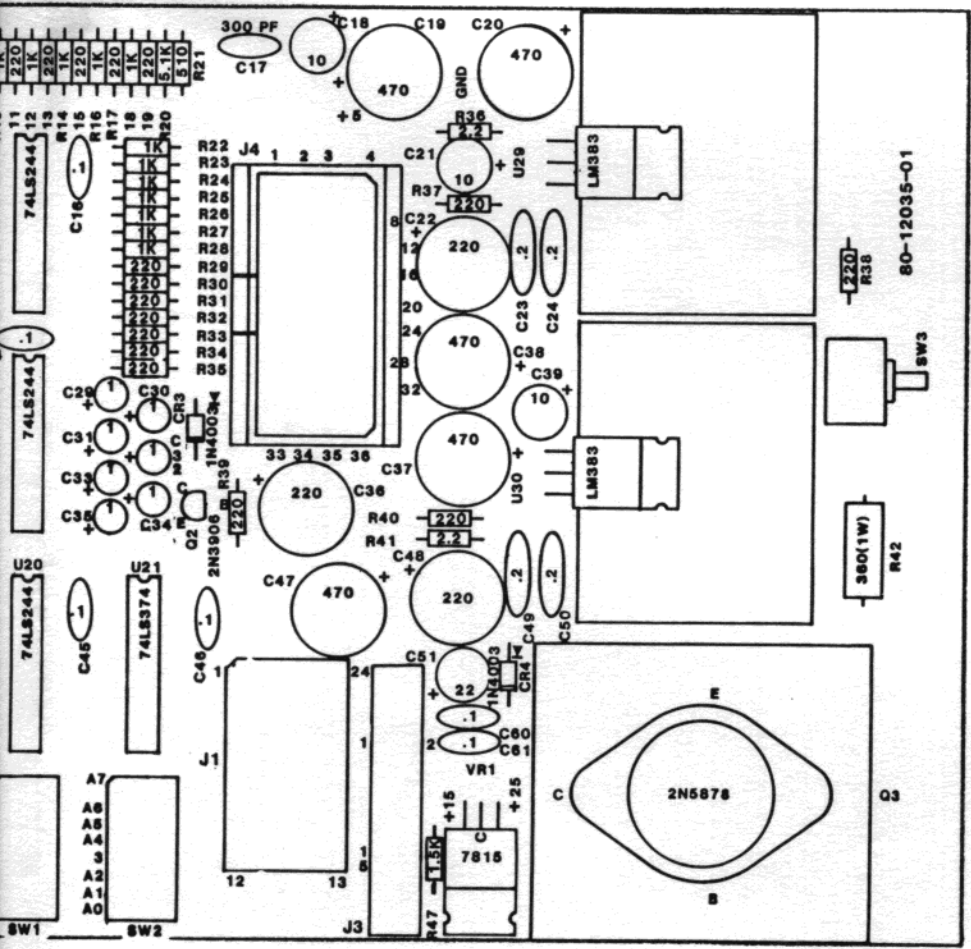
1

REVISIONS			
REV	DESCRIPTION	DATE	APPROVED

D

C

B



A

4

3

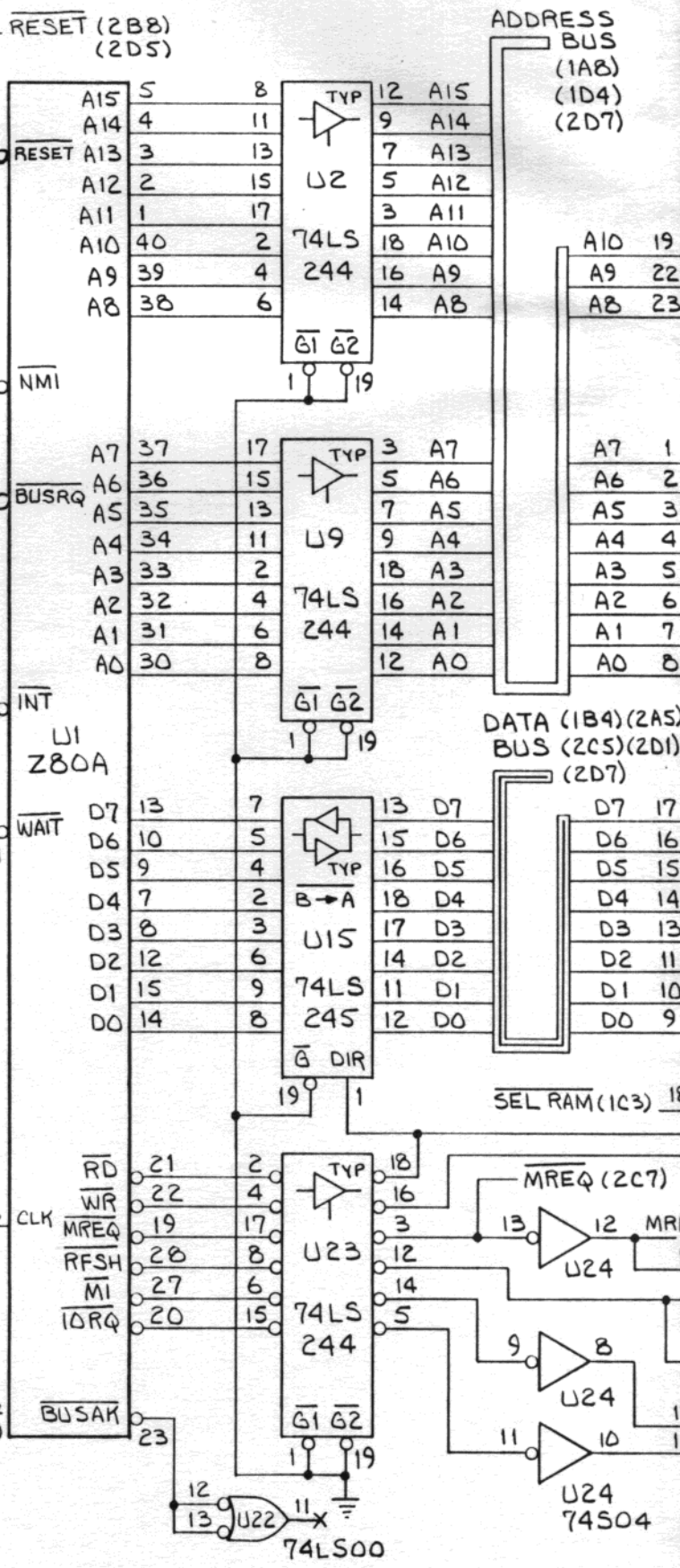
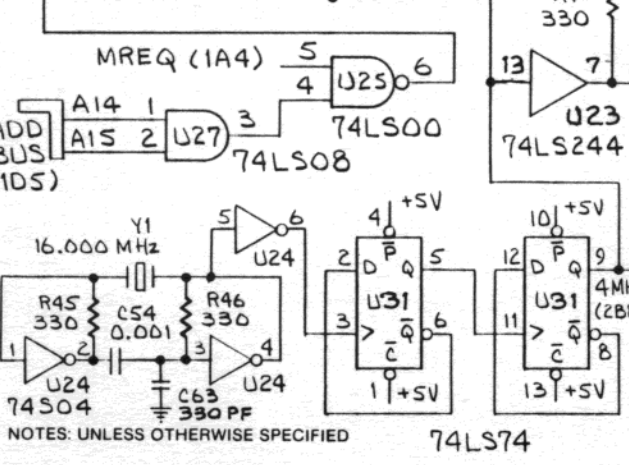
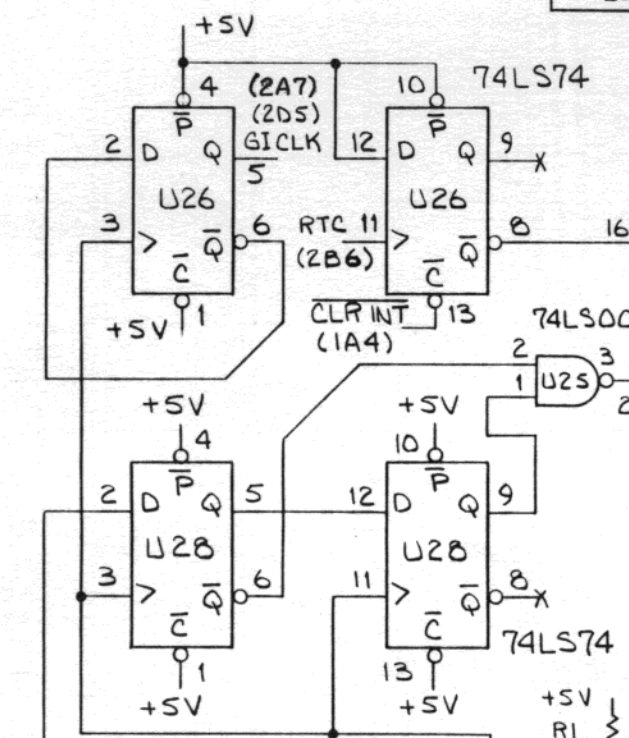
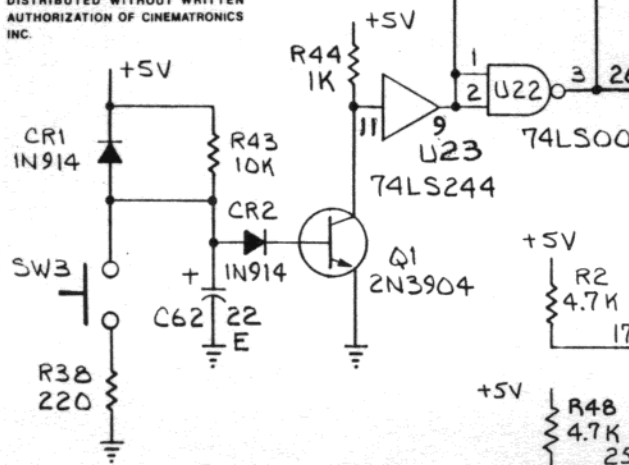
2

1

MATERIAL:	DRAWN BY <i>David Scott</i>	DATE 6-83	CINEMATRONICS INC El Cajon Ca 92020	
	PROJECT ENGR	DATE		
FINISH:	RELEASE APPROV	DATE	DWG TITLE STARCOM MAIN LOGIC	
	DO NOT SCALE DWG		MODEL NO.	
	TOLERANCE UNLESS OTHERWISE SPECIFIED		DWG NO. 81-12035-01	REV A
	PROJECTION 	SCALE	CODE IDENT.	SHEET OF

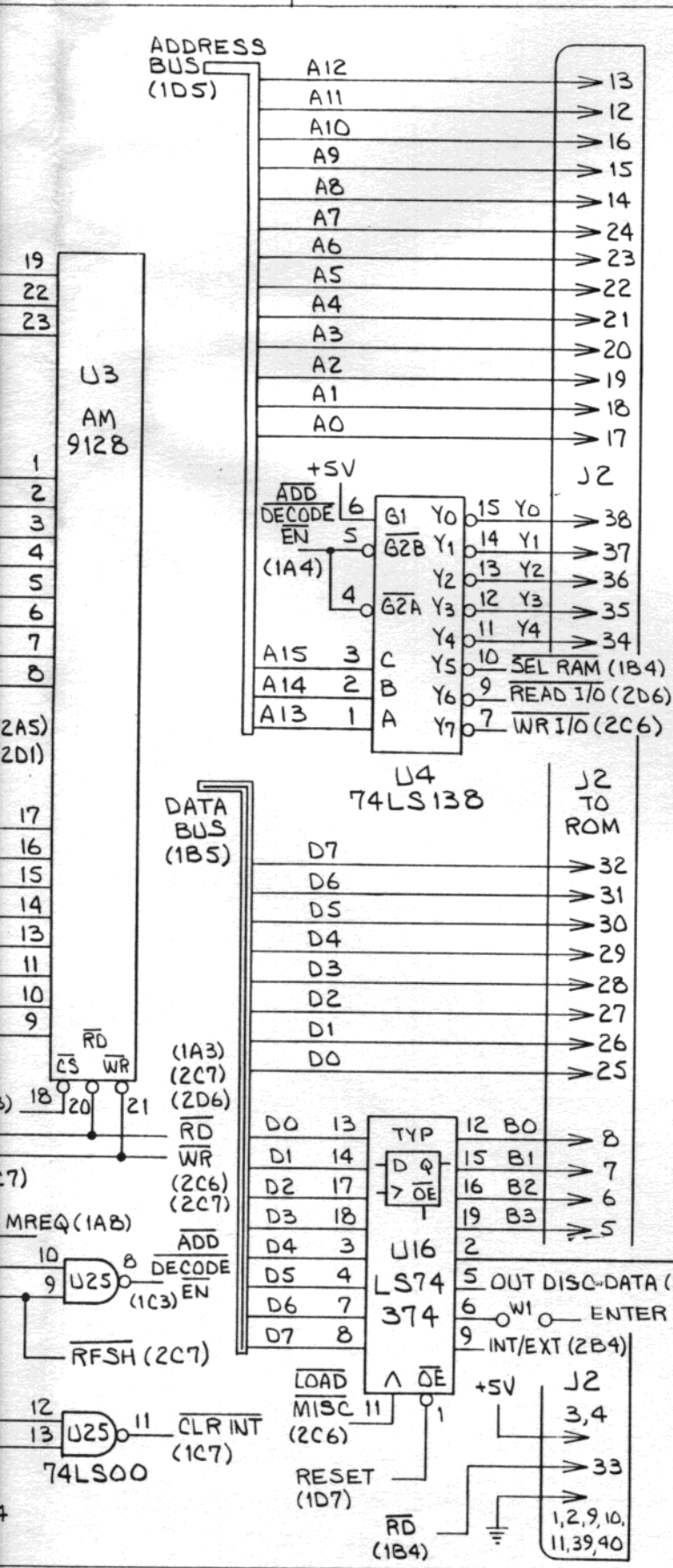
PROPRIETARY
 THIS DOCUMENT IS THE PROPERTY
 OF CINEMATRONICS INC. AND IS
 NOT TO BE REPRODUCED OR
 DISTRIBUTED WITHOUT WRITTEN
 AUTHORIZATION OF CINEMATRONICS
 INC.

D
C
B
A



NOTES: UNLESS OTHERWISE SPECIFIED

BRUNING

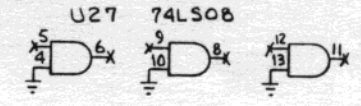


REVISIONS			
REV	DESCRIPTION	DATE	APPROVED

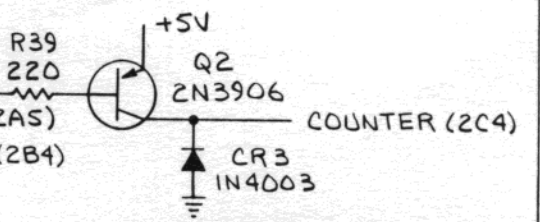
6. POWER DISTRIBUTION

IC REFERENCE	+5V	GND
U19	40	1
U3	24	12
U2, 8, 9, 14, 15, 16, 20, 21, 23	20	10
U4, 10, 11	16	8
U6, 13, 22, 24, 25, 26, 27, 28	14	7
U1	11	29

5 SPARE GATES:



- 4. CONN J1, PINS 3, 4, 8, 18-23 NOT USED
 - 3. C1-4, 13-16, 25-28, 41-46, 52, 53, 55-59 ARE 0.1 DISC BY PASS CAPS
 - 2. CAPACITOR VALUES ARE IN MICRO FARADS CAPS ARE CERAMIC DISC, EXCEPT "E" REFERENCE IS ELECTROLYTIC
 - 1. RESISTOR VALUES IN OHMS; 1/4 W, 5%
- NOTES: UNLESS SPECIFIED OTHERWISE



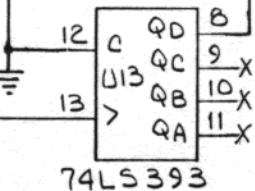
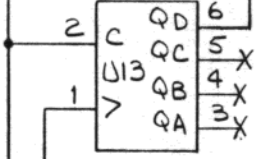
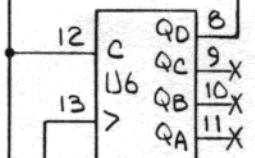
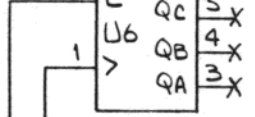
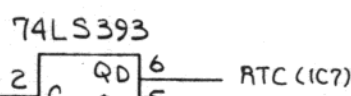
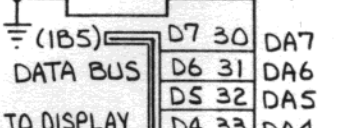
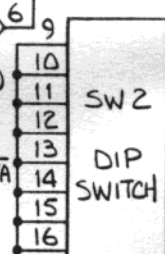
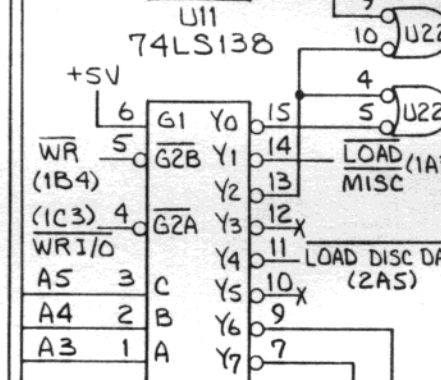
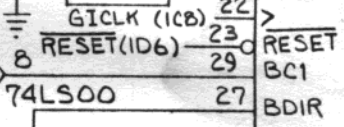
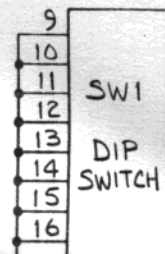
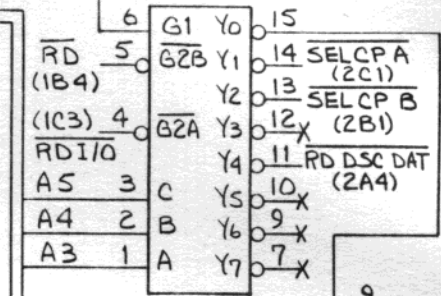
DRAWN BY day & scott	DATE 6-83	CINEMATRONICS INC		EI Cajon Ca 92020
PROJECT ENGR	DATE	DWG TITLE MAGICOM MAIN LOGIC		
RELEASE APPROV	DATE	DO NOT SCALE DWG		
TOLERANCE UNLESS OTHERWISE SPECIFIED		MODEL NO.	DWG NO. 72-12035-01	REV K
PROJECTION	SCALE	CODE IDENT		SHEET 1 OF 2

PROPRIETARY
 THIS DOCUMENT IS THE PROPERTY
 OF CINEMATRONICS INC. AND IS
 NOT TO BE REPRODUCED OR
 DISTRIBUTED WITHOUT WRITTEN
 AUTHORIZATION OF CINEMATRONICS
 INC.

ADDRESS BUS
 (10S)

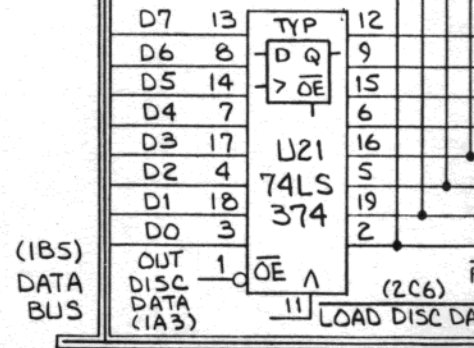
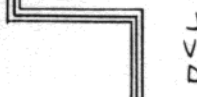
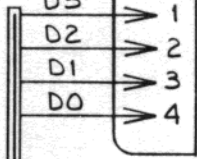
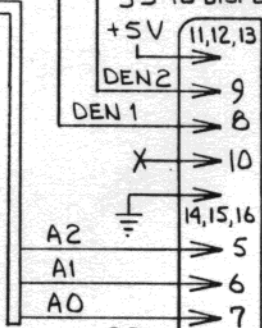
+5V

U19



G1 CLK
 (1C8)

NOTES: UNLESS OTHERWISE SPECIFIED



D

C

B

A

8

7

6

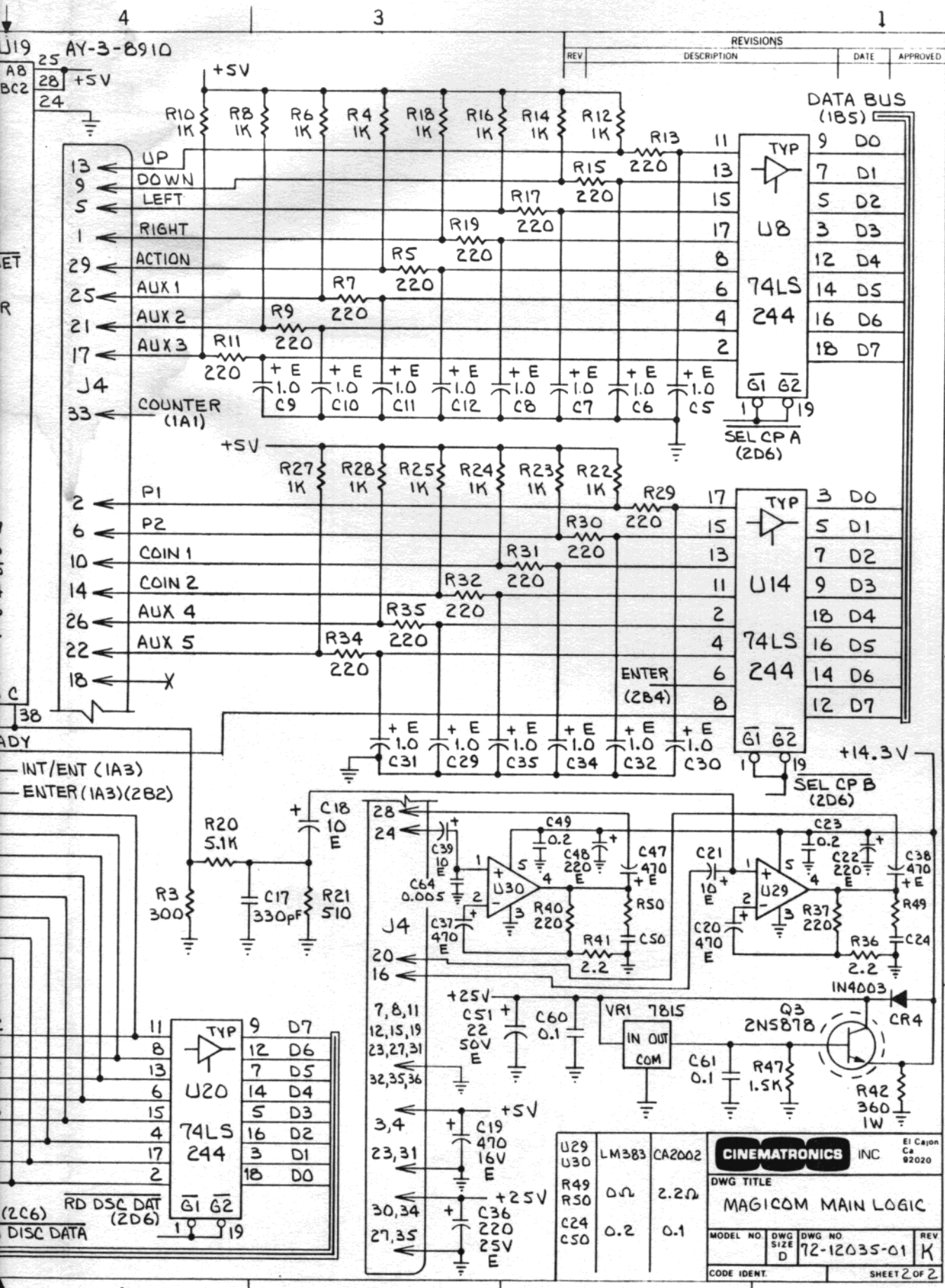
5

8

7

6

5



REVISIONS			
REV	DESCRIPTION	DATE	APPROVED

DATA BUS (185)

9	D0
7	D1
5	D2
3	D3
12	D4
14	D5
16	D6
18	D7

3	D0
5	D1
7	D2
9	D3
18	D4
16	D5
14	D6
12	D7

9	D7
12	D6
7	D5
14	D4
5	D3
16	D2
3	D1
18	D0

U29	LM383	CA2002
U30		
R49	0.2	2.2
R50		
C24	0.2	0.1
C50		

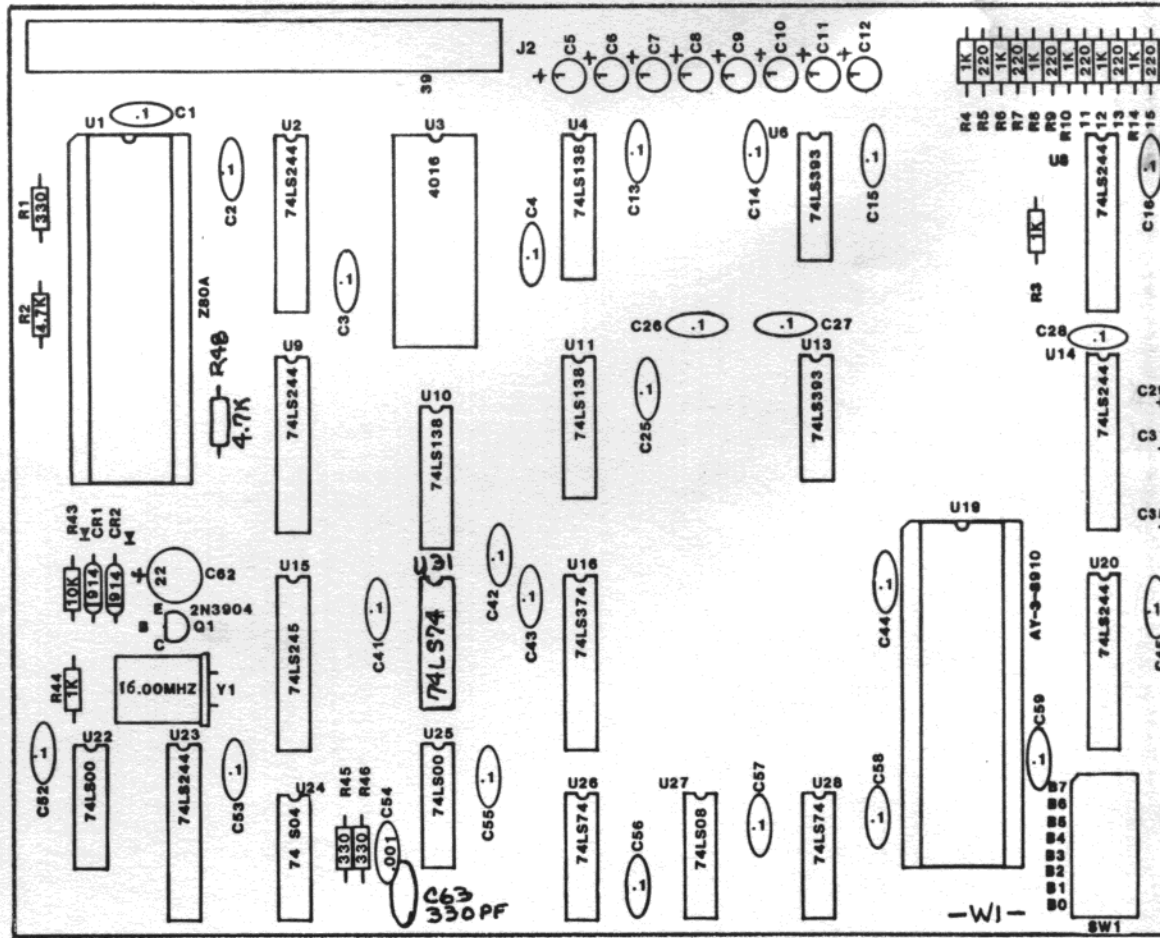
CINEMATRONICS INC
 EI Cajon Ca 92020

DWG TITLE
MAGICOM MAIN LOGIC

MODEL NO.	DWG SIZE	DWG NO.	REV
	D	72-12035-01	K

CODE IDENT. SHEET 2 OF 2

PROPRIETARY
 THIS DOCUMENT IS THE PROPERTY
 OF CINEMATRONICS INC. AND IS
 NOT TO BE REPRODUCED OR
 DISTRIBUTED WITHOUT WRITTEN
 AUTHORIZATION OF CINEMATRONICS
 INC.



NOTES: UNLESS OTHERWISE SPECIFIED

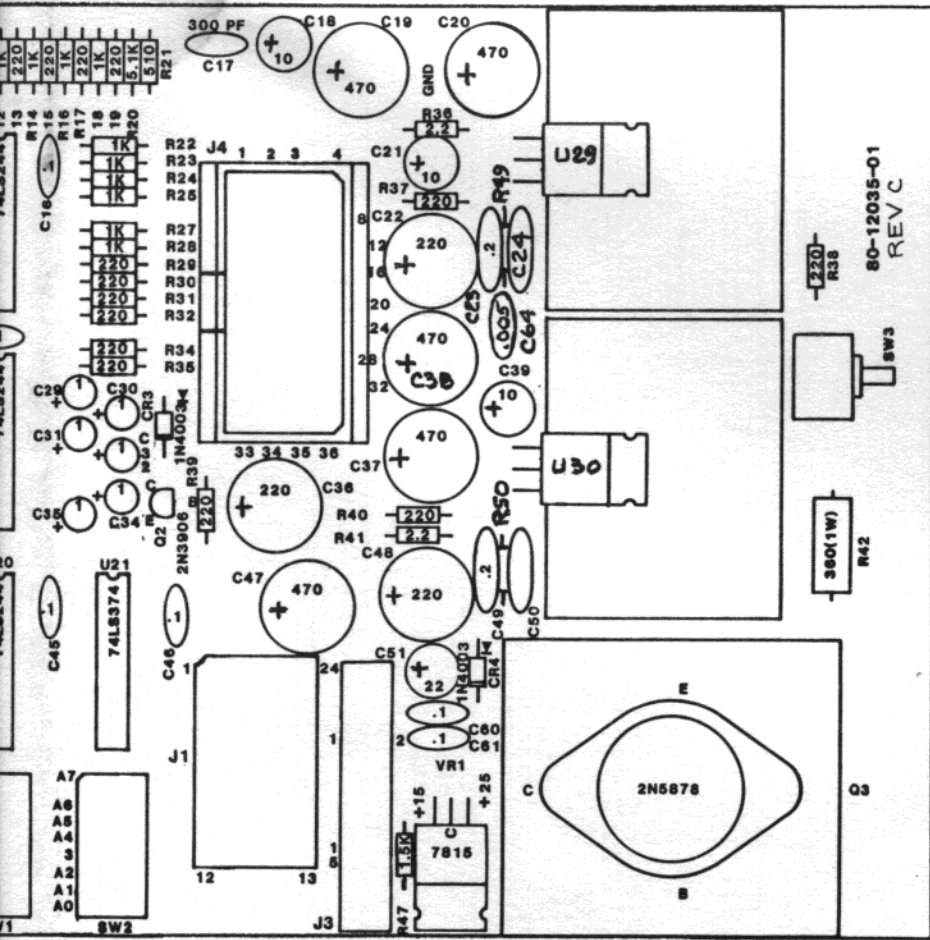
4

3

1

REVISIONS			
REV	DESCRIPTION	DATE	APPROVED

U29.30	LM383	CA2002
R49.50	0	2.2
C24.50	0.2	0.1



D

C

B

A

MATERIAL:	DRAWN BY: <i>Clay Scott</i>	DATE: 6-83	CINEMATRONICS INC El Cajon Ca 92020	
	PROJECT ENGR:	DATE:		
FINISH:	RELEASE APPROV:	DATE:	DWG TITLE	
	DO NOT SCALE DWG		MAGICOM MAIN LOGIC	
	TOLERANCE: UNLESS OTHERWISE SPECIFIED		MODEL NO	DWG NO
	PROJECTION:		SIZE D	81-12035-01
CODE IDENT.		REV G		
SHEET OF 1				

4

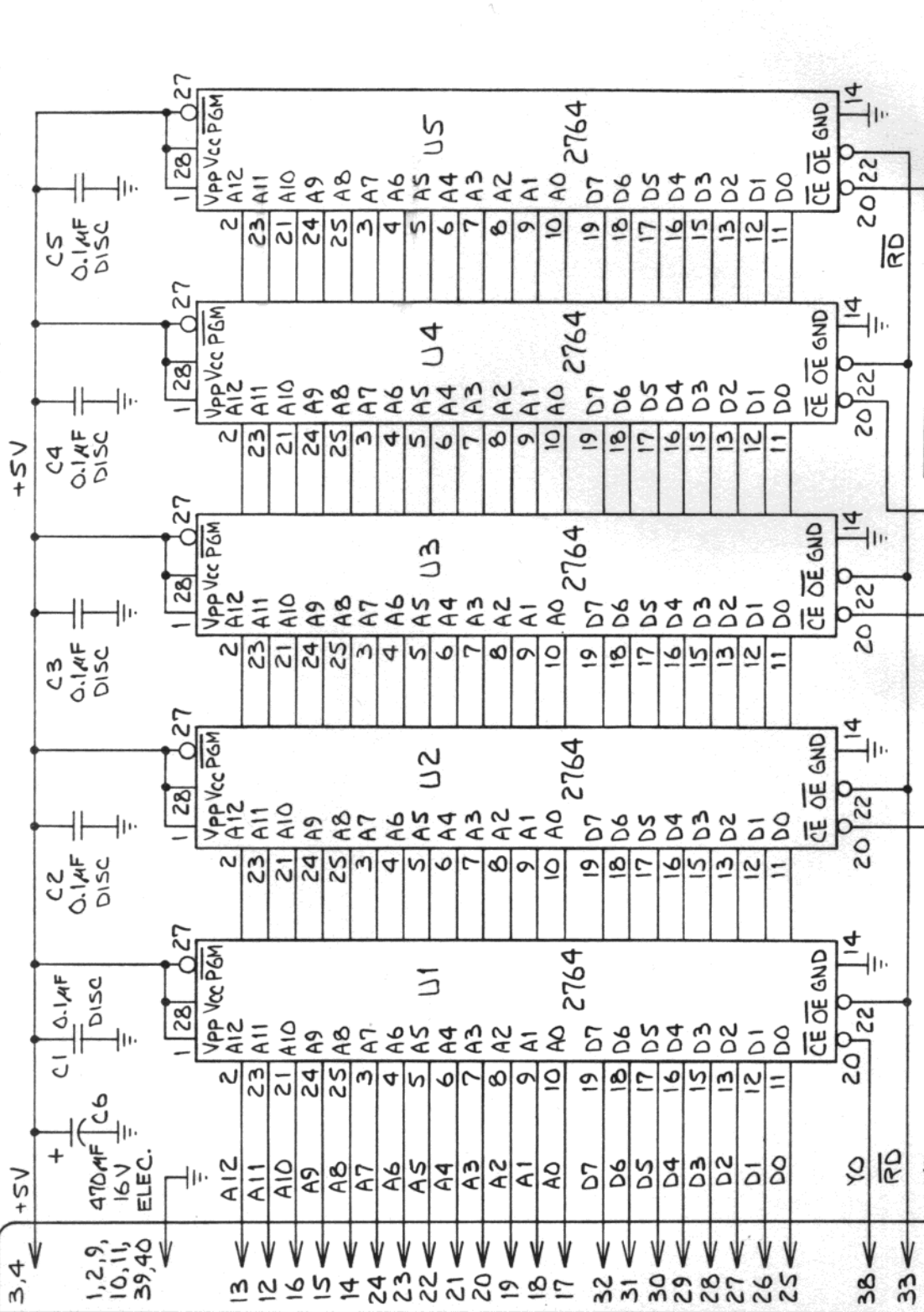
3

2

1

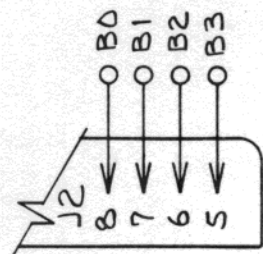
PROPRIETARY
 THIS DOCUMENT IS THE PROPERTY
 OF CINEMATRONICS INC. AND IS
 NOT TO BE REPRODUCED OR
 DISTRIBUTED WITHOUT WRITTEN
 AUTHORIZATION OF CINEMATRONICS
 INC.

REV	DESCRIPTION	DATE	APPROVED
1			



CINEMATRONICS INC. EI Cajon CA 92020	
DRAWN BY: DAV/SS/COFF PROJECT ENGR:	DATE: 6/83 DATE:
RELEASE APPROV:	DATE:
DWG TITLE: STARCOM ROM	
DO NOT SCALE DWG TOLERANCE: UNLESS OTHERWISE SPECIFIED	
MODEL NO: 172-12056-01	DWG NO: 172-12056-01
SIZE: C	REV: A
PROJECTION:	SCALE:
CODE IDENT:	SHEET 1 OF 1

NOTES: UNLESS OTHERWISE SPECIFIED



1
 2
 3
 4

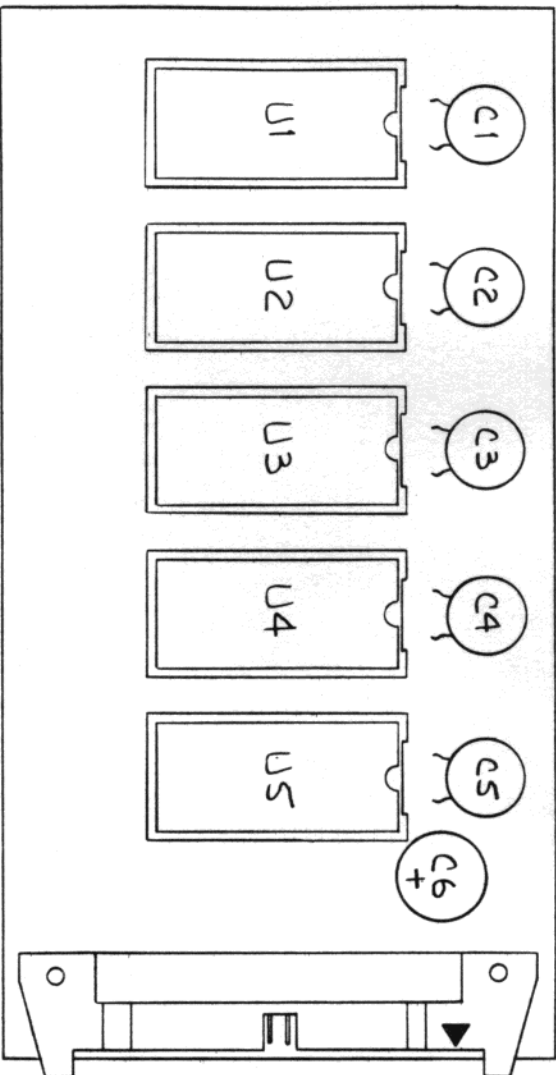
D C B A

D C B A

1
 2
 3
 4

PROPRIETARY
 THIS DOCUMENT IS THE PROPERTY
 OF CINEMATRONICS INC. AND IS
 NOT TO BE REPRODUCED OR
 DISTRIBUTED WITHOUT WRITTEN
 AUTHORIZATION OF CINEMATRONICS
 INC.

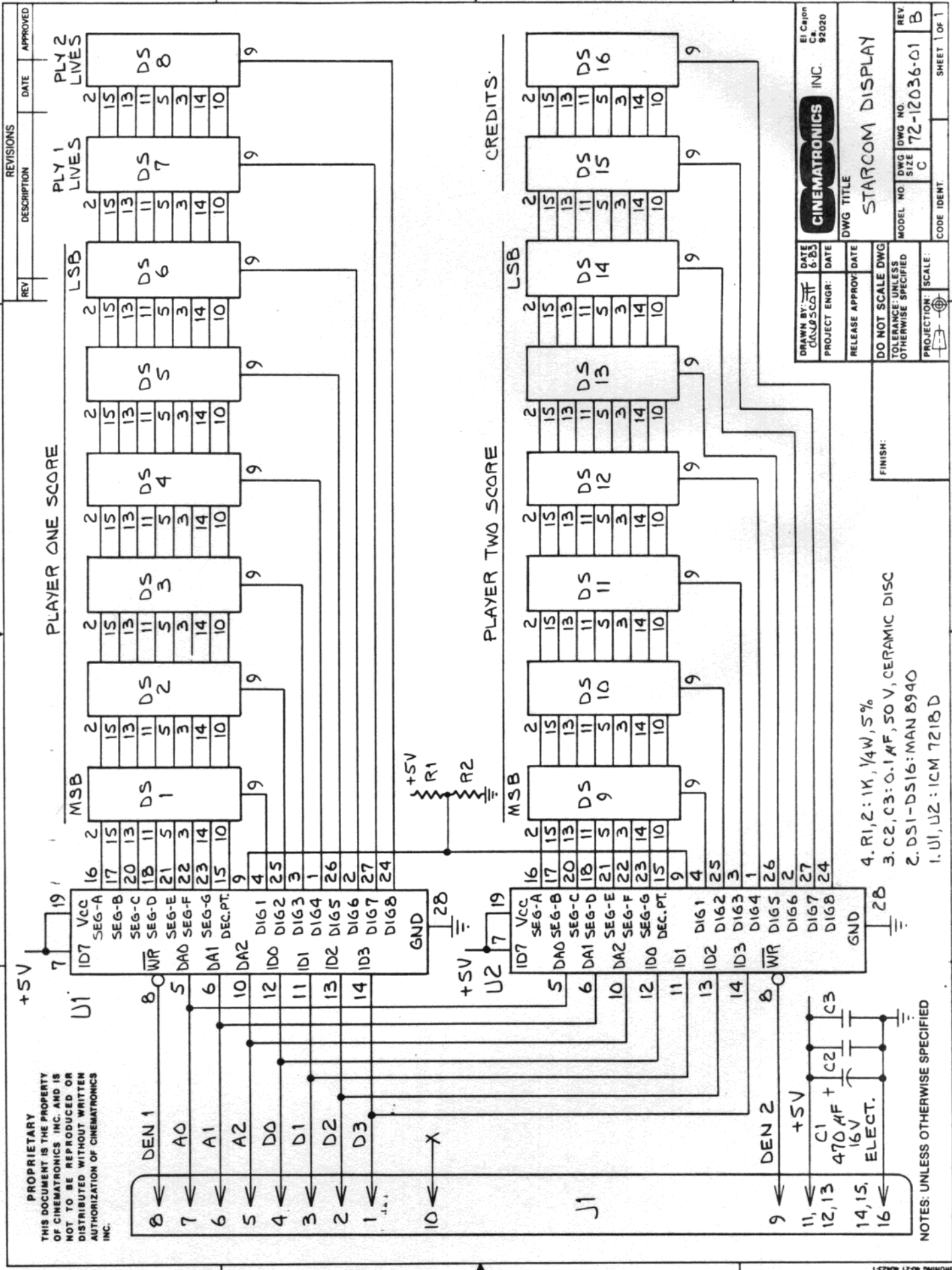
REVISIONS			
REV	DESCRIPTION	DATE	APPROVED



J2
 SYMBEX 32351-1-40

3. DRAGON'S LAIR (81-12056-01): U1-U5, 2764 WITH SOCKET
 2. C6; 470 MF, 16 V MINIMUM, ELECTROLYTIC
 1. C1-C5; 0.1 MF, 50V, DISC
- NOTES: UNLESS OTHERWISE SPECIFIED

MATERIAL:		DRAWN BY: DAVE SCOTT		DATE: 6-83
FINISH:		PROJECT ENGR: DAVE SCOTT		DATE: 6-83
DO NOT SCALE DWG		RELEASE APPROV: _____		DATE: _____
TOLERANCE: UNLESS OTHERWISE SPECIFIED		PROJECTION: 2:1		
SCALE: _____		DWG TITLE: STARCOM ROM		
MODEL NO: _____	DWG NO: _____	INC: CINEMATRONICS INC	REV: _____	DATE: _____
SIZE: C	DWG NO: 81-12056-XX	REV: A	SHEET 1 OF 1	



PROPRIETARY
 THIS DOCUMENT IS THE PROPERTY
 OF CINEMATRONICS INC. AND IS
 NOT TO BE REPRODUCED OR
 DISTRIBUTED WITHOUT WRITTEN
 AUTHORIZATION OF CINEMATRONICS
 INC.

REV	DESCRIPTION	DATE	APPROVED
1			

DRAWN BY: CLAUDE SCOTT	DATE: 6-78	PROJECT ENGR:	DATE:	RELEASE APPROV:	DATE:
---------------------------	---------------	---------------	-------	-----------------	-------

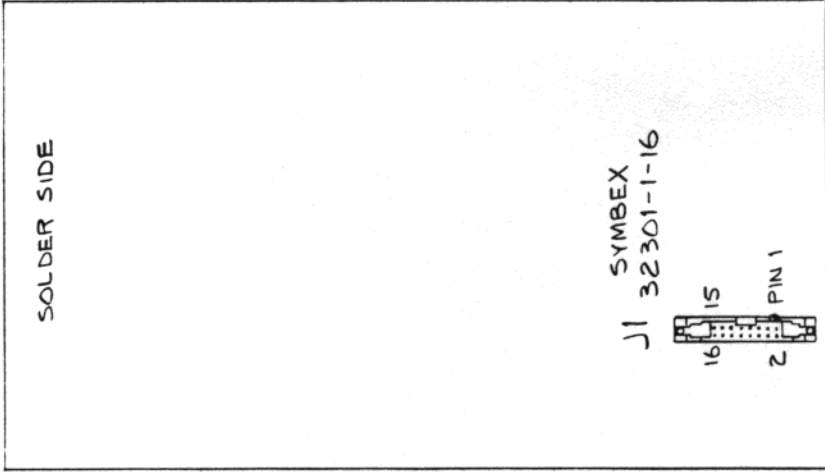
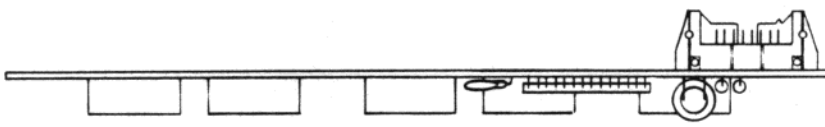
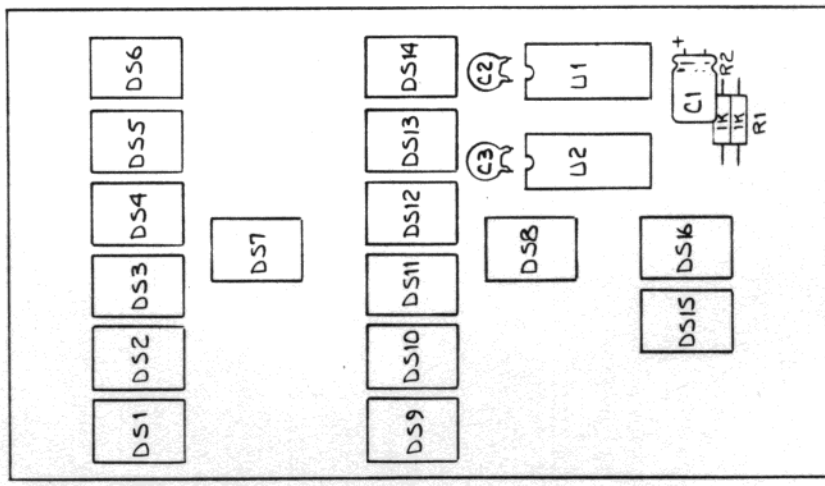
CINEMATRONICS INC.		EL Cajon CA 92020	
STARCOM DISPLAY			
DO NOT SCALE DWG	TOLERANCE: UNLESS OTHERWISE SPECIFIED	PROJECTION: SCALE:	FINISH:

MODEL NO:	DWG NO:	REV:
DS1-DS16	72-12036-01	B
SIZE:	C	
CODE IDENT:		SHEET 1 OF 1

4. R1, 2: 1K, 1/4W, 5%
 3. C2, C3: 0.1µF, 50V, CERAMIC DISC
 2. DS1-DS16: MAN 8940
 1. U1, U2: 1CM 7218 D

NOTES: UNLESS OTHERWISE SPECIFIED

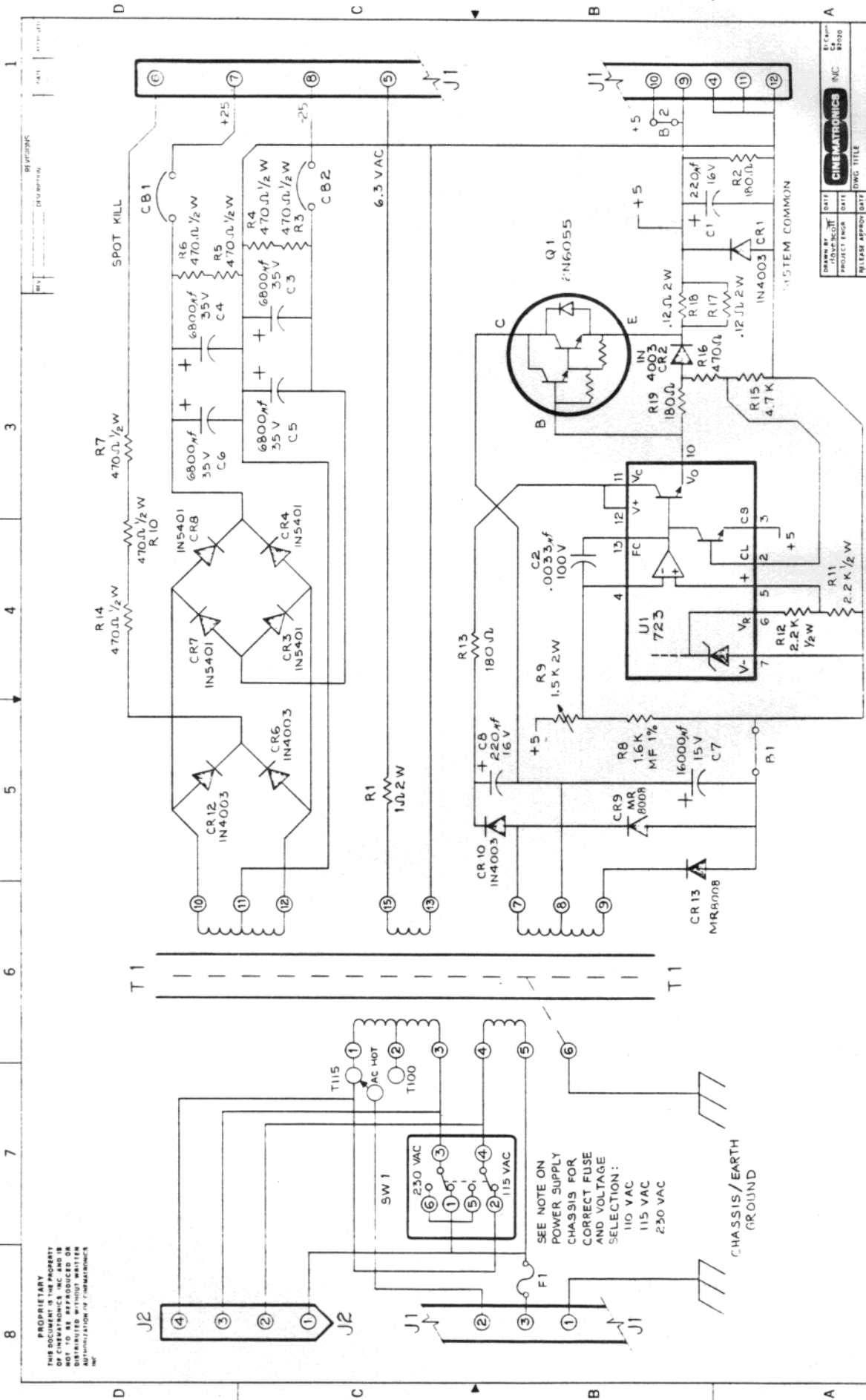
PROPRIETARY
 THIS DOCUMENT IS THE PROPERTY
 OF CINEMATRONICS INC. AND IS
 NOT TO BE REPRODUCED OR
 DISTRIBUTED WITHOUT WRITTEN
 AUTHORIZATION OF CINEMATRONICS
 INC.



REVISIONS		
REV	DESCRIPTION	DATE
B	ADD RI, R2	9-29-83

DRAWN BY:		DATE	31 MAY 1983	
PROJECT ENGR:	DATE	E.I. CAPRON Ca. 92020		
RELEASE APPROV:	DATE	CINEMATRONICS INC		
DO NOT SCALE DWG		DWG TITLE		
TOLERANCE UNLESS OTHERWISE SPECIFIED		STARCOM DISPLAY		
PROJECTION:	SCALE: FULL	MODEL NO:	DWG NO:	REV
			81-12036-01	B
MATERIAL:			CODE IDENT	SHEET 1 OF 1
FINISH:				

- CONNECTOR INSTALLED ON SOLDER SIDE OF P.C.B.
 - ALL CAPACITORS TO BE LAYED DOWN
 - C2, C3 : 0.1 μ F 50 V DISC 20%
 - C1 : 470 μ F ELECTROLYTIC 16 V MINIMUM
 - U1, U2 : ICM 7218 D
 - DS1 - DS16 : L.E.D. MAN 8940
- NOTES: UNLESS OTHERWISE SPECIFIED



PROPRIETARY
THE REGISTRATION
OF CINEMATRONICS, INC AND IS
NOT TO BE REPRODUCED OR
DISTRIBUTED WITHOUT WRITTEN
PERMISSION OF CINEMATRONICS, INC

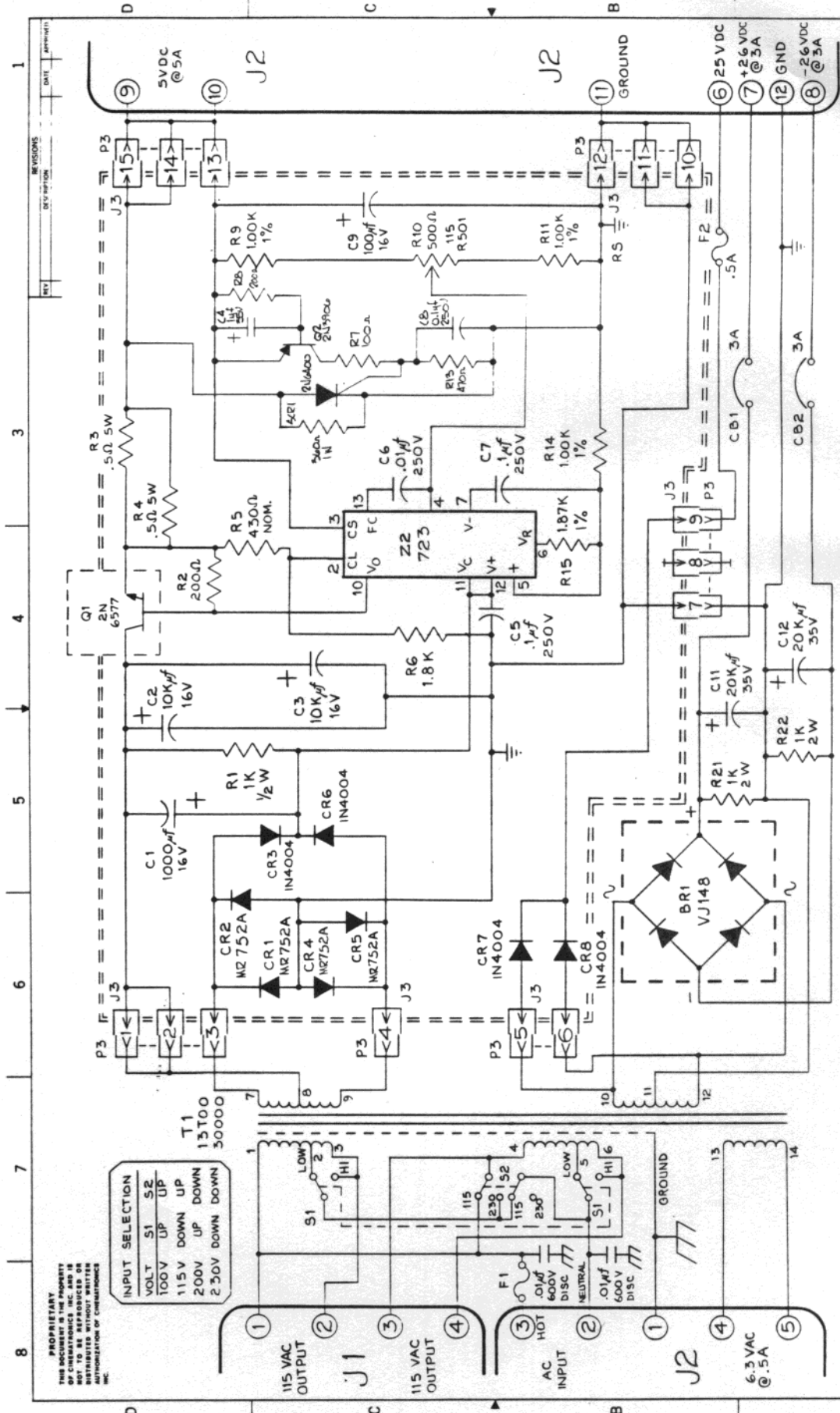
SEE NOTE ON
POWER SUPPLY
CHASSIS FOR
CORRECT FUSE
AND VOLTAGE
SELECTION:
110 VAC
115 VAC
230 VAC

1 SCHEMATIC SET FOR 115 VAC OPERATION
NOTES UNLESS OTHERWISE SPECIFIED

DATE	BY	REV
PROJECT ENG	DATE	NO
CINEMATRONICS INC		
CONDOR POWER SUP.		
MODEL NO	BY	REV
72-10842-22	D	1
PROJ. IDENT	FOR IDENT	DATE

DATA POWER

10842-32
DATA POWER P.S.



PROPRIETARY
THE INFORMATION CONTAINED
HEREIN IS THE PROPERTY OF
CINEMATRONICS, INC. AND IS
NOT TO BE REPRODUCED OR
DISTRIBUTED WITHOUT WRITTEN
CONSENT OF CINEMATRONICS,
INC.

INPUT SELECTION	
VOLT	S1 S2
100V	UP UP
115V	DOWN UP
200V	UP DOWN
230V	DOWN DOWN

DATE	BY	REVISIONS

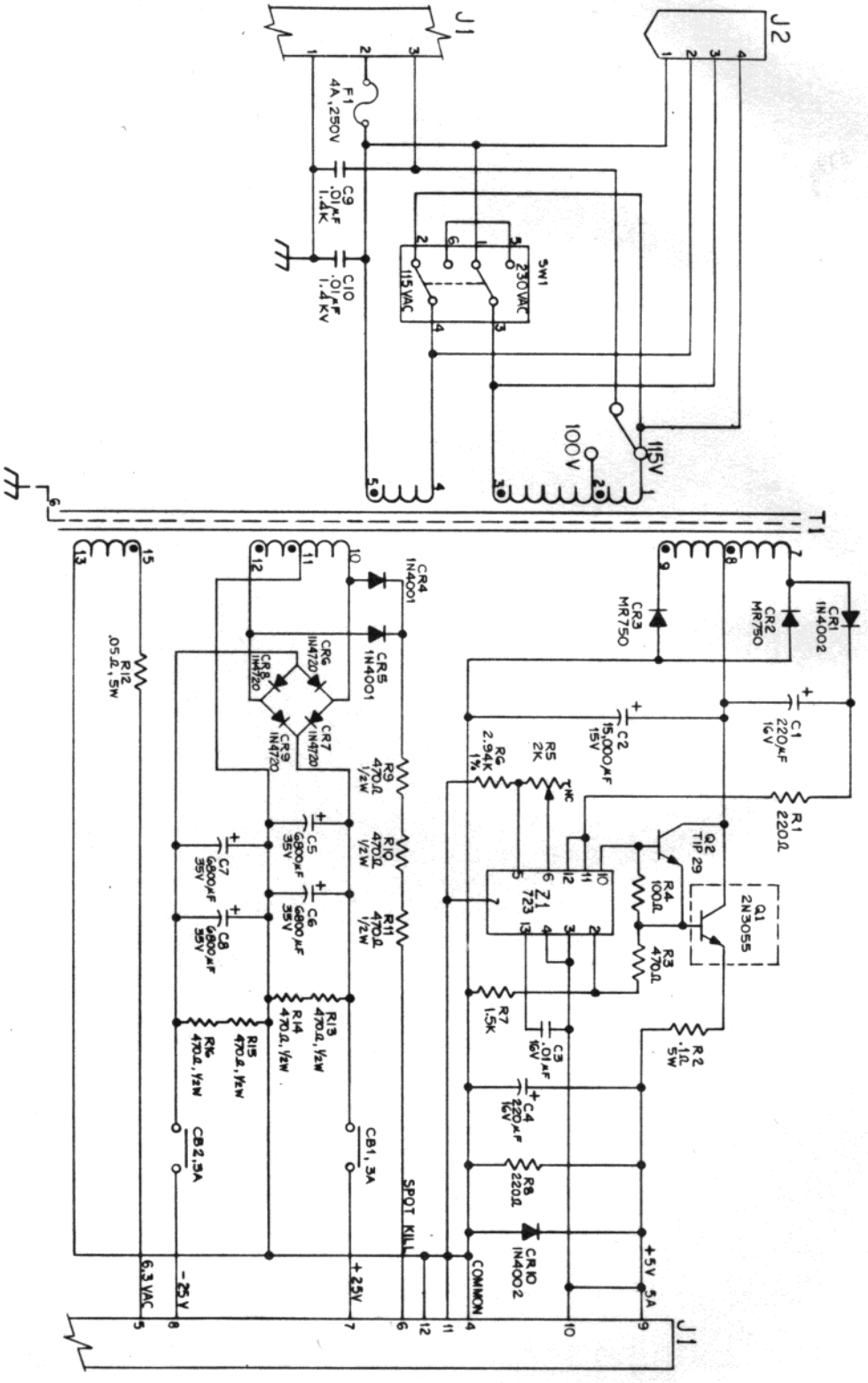
DATE	BY	PROJECT ENG.	DATE	BY	REL. APPROV.

MATERIAL	QUANTITY	DESCRIPTION

CINEMATRONICS, INC.
21000
10842-32
DATA POWER
POWER SUPPLY
REV. 10/72
10842-32

3. FUSE ONE IS: 5A, SB, 250V
2. ALL 1% RESISTORS ARE 1/4 W
1. RESISTOR VALUES ARE IN OHMS, \pm 5%, 1/4 W
NOTES: UNLESS OTHERWISE SPECIFIED

REVISIONS				
ZONE	LTN	DESCRIPTION	DATE	APPROVED
01		PROTOTYPE	4 DEC 80	PAK
A		PRODUCTION RELEASE	13 JAN 81	
B		ADD C9, I.D. - SEE ECO 0028 'A'	29 JAN 81	R.A.
		DWG. NO. FROM 12A0028-00		



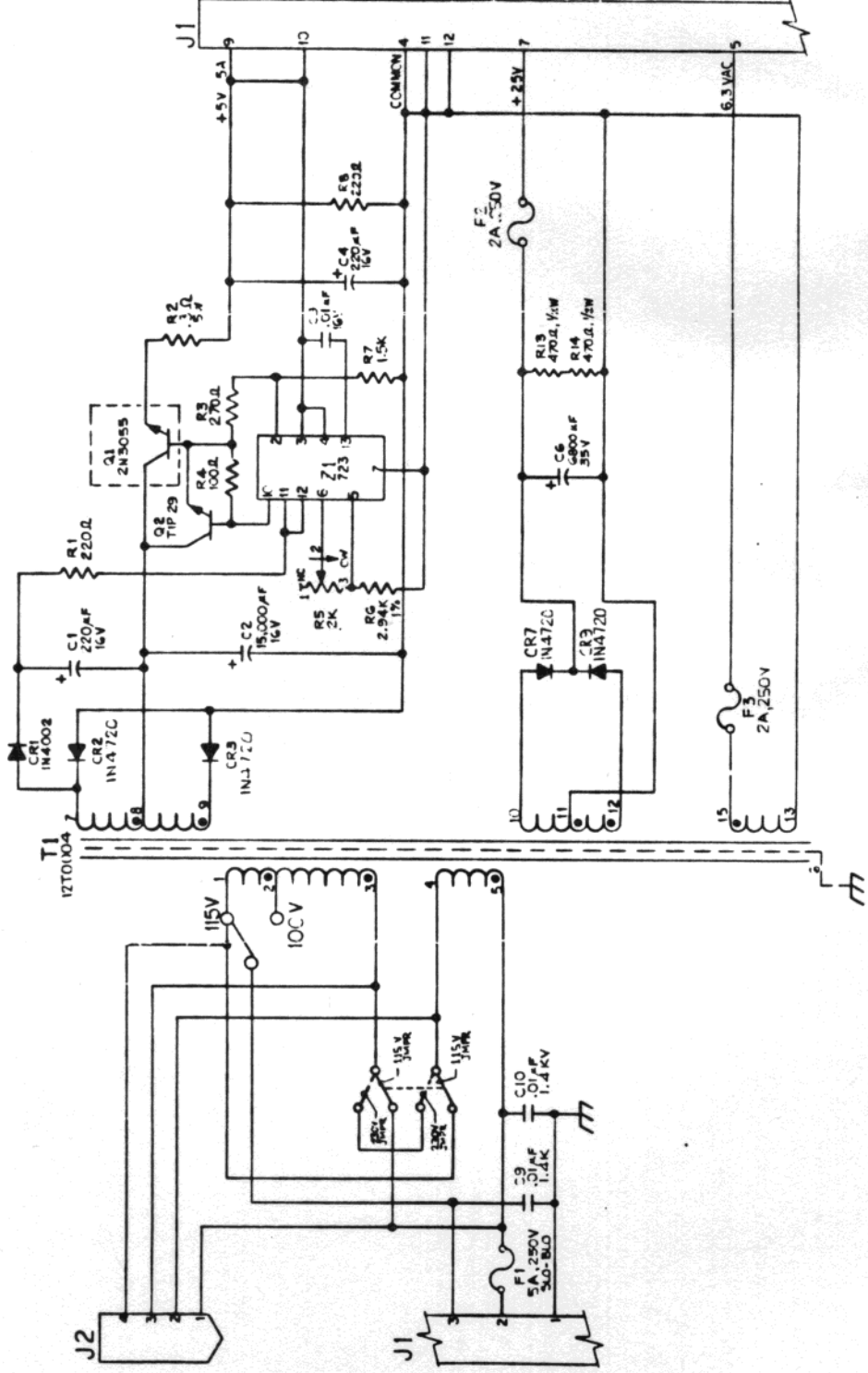
QTY	CODE	PART OR IDENTIFYING NO.	NOMENCLATURE OR DESCRIPTION
1			SPOT KILL
1			CB1, 3A
1			CB2, 3A

REVISIONS	DATE	APPROVED
01	4 DEC 80	PAK
A	13 JAN 81	
B	29 JAN 81	R.A.

UNLESS OTHERWISE SPECIFIED DIMENSIONS ARE IN INCHES FRACTIONS ARE IN INCHES DECIMALS ANGLES	CONTRACT NO.	APPROVALS	DATE
±		DRAWN C. ESCALERAS	4 DEC 80
XX ±		CHECKED E. P. [Signature]	12/14/80
XXX ±			

62A0013-00	0028	DO NOT SCALE DRAWING	SCALE NONE
NEXT ASSY	USED ON		
APPLICATION			

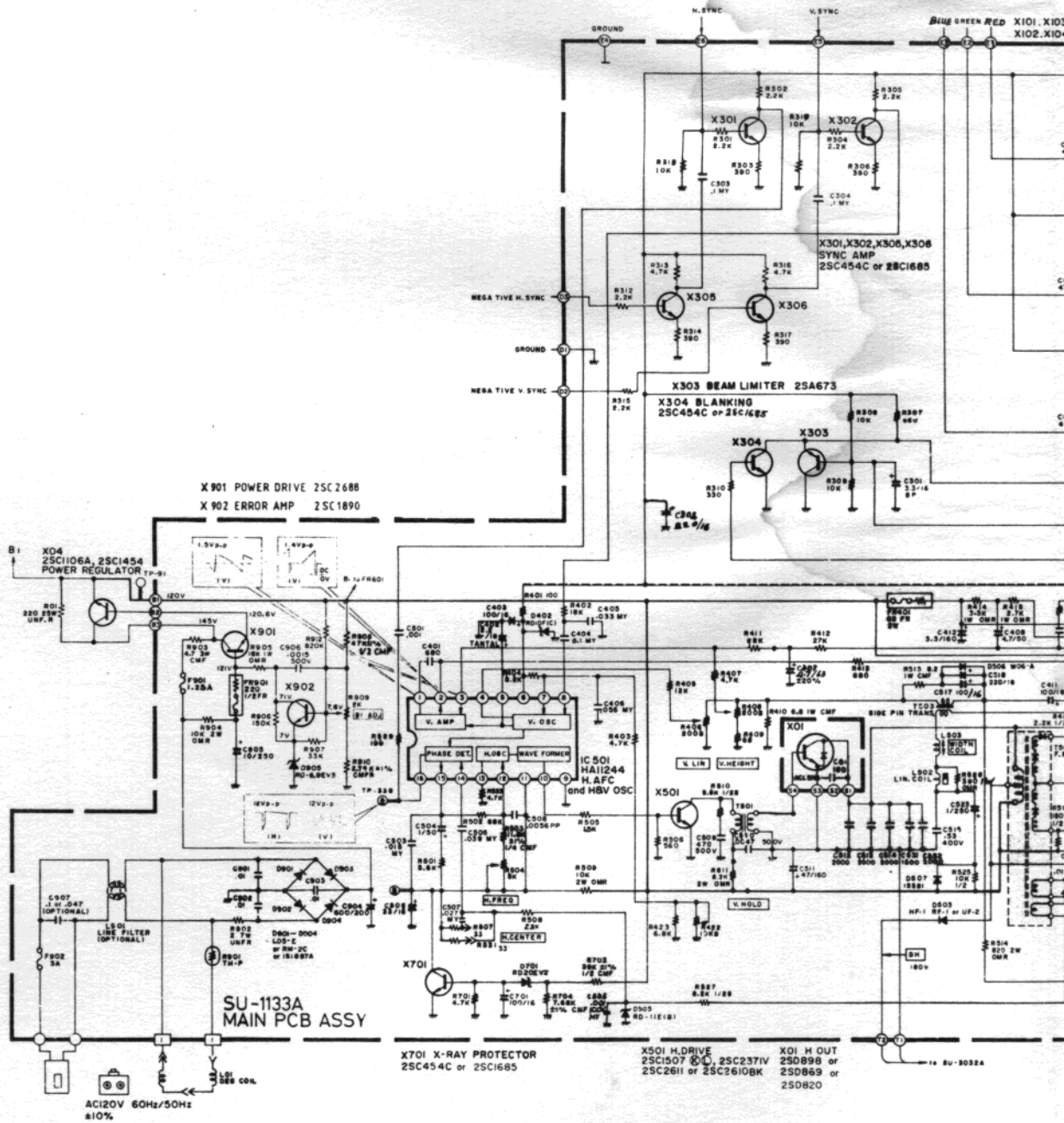
REVISIONS			
ZONE	LTR	DESCRIPTION	DATE
A		12A0100-00 KEYS, E.C. 337	7/15/53
B		SEE ITR PER ECO 0420, UMG-F1 IN 500-4387	3/13/53
			7/53



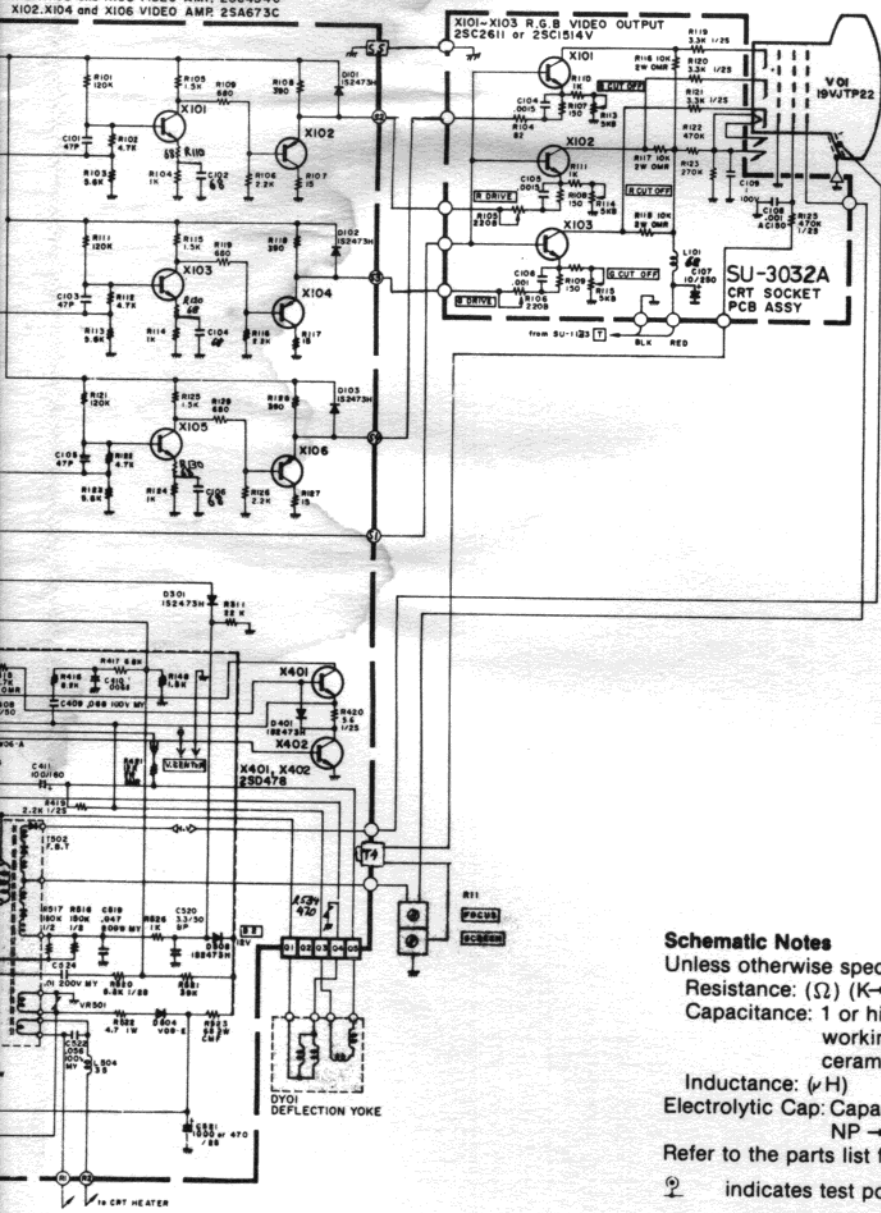
QTY		CODE	PART OR IDENTIFYING NO.	NOMENCLATURE OR DESCRIPTION	
REQD	IDENT			PARTS LIST	
				CONTRACT NO.	
UNLESS OTHERWISE SPECIFIED DIMENSIONS ARE IN INCHES TOLERANCES ARE FRACTIONS DECIMALS ANGLES				APPROVALS	DATE
DRAWN: [Signature]				CHECKED: [Signature]	DATE: 8/11/53
MATERIAL				FINISH	
APPLICATION				DO NOT SCALE DRAWING	
12A007-00				G.I.C.	
NEXT ASSY				USED ON	

SCHEMATIC

SIZE	CODE IDENT NO	DRAWING NO	REV
C		12A0100-00	B
SCALE			SHEET 1 OF 1



X101, X103 and X105 VIDEO AMP 25C454C
 X102, X104 and X106 VIDEO AMP 25A673C



Schematic Notes

- Unless otherwise specified
- Resistance: (Ω) (K \rightarrow K Ω , M \rightarrow M Ω), 1/4 (W) carbon resistor
- Capacitance: 1 or higher \rightarrow (pF), less than 1 \rightarrow (μ F)
- working voltage \rightarrow 50 (V)
- ceramic capacitor
- Inductance: (μ H)
- Electrolytic Cap: Capacitance Value (μ F)/working voltage (V),
- NP \rightarrow non-polar (or bipolar) electrolytic cap.
- Refer to the parts list for additional component information.
- $\text{\textcircled{P}}$ indicates test point connection
- $\text{\textcircled{G}}$ indicates chassis ground unless otherwise specified
- Hz indicates cycles per second
- For **safety** purposes (and continuing reliability)
- \triangle replace all components marked with safety symbol with identical type.
- NOTE: FR \rightarrow fusible resistor

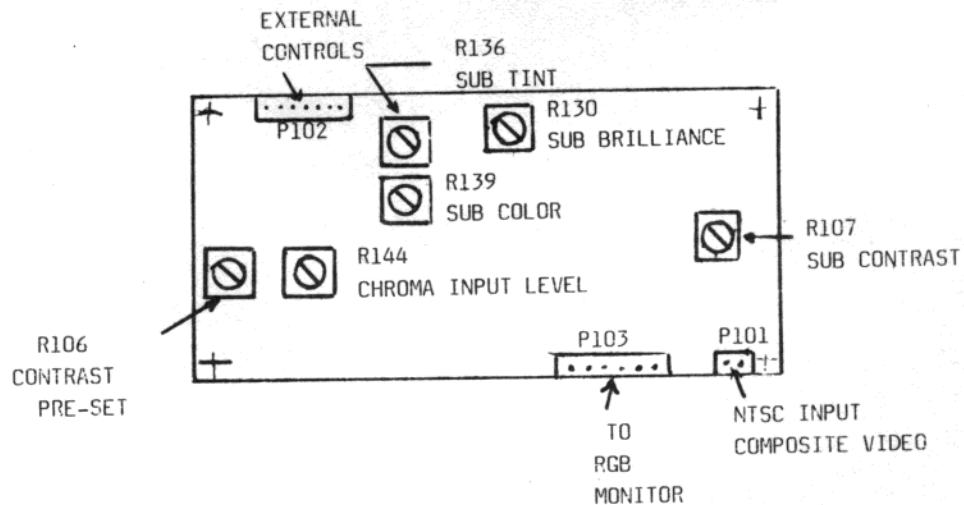
00-4147-04
 G07-CB0

Parts identification on circuit boards:
 e.g. SU1126A (R107 = R1107)
 SU3030A (R113 = R3113)

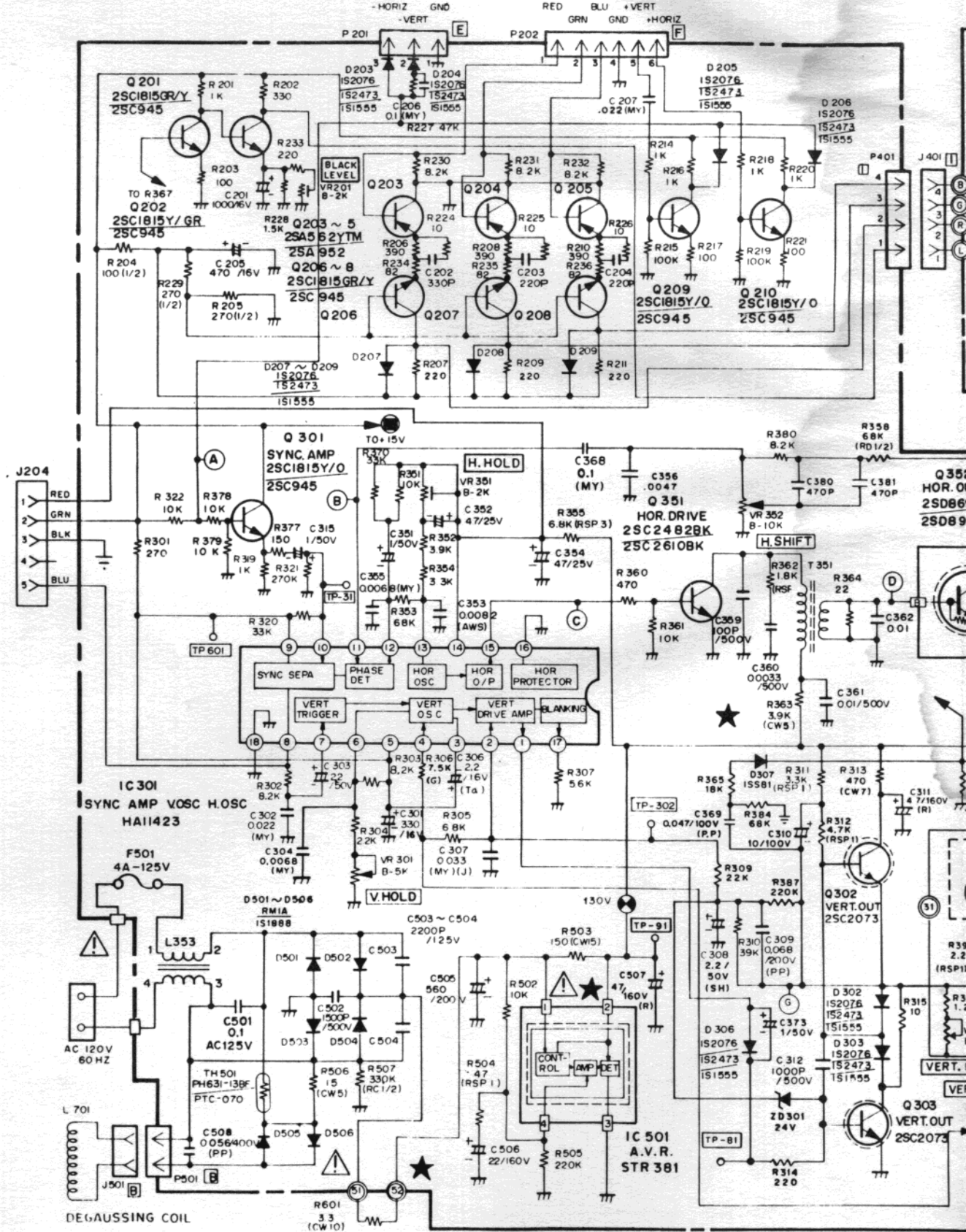
NTSC DECODER SPECIFICATIONS

Pin Outs

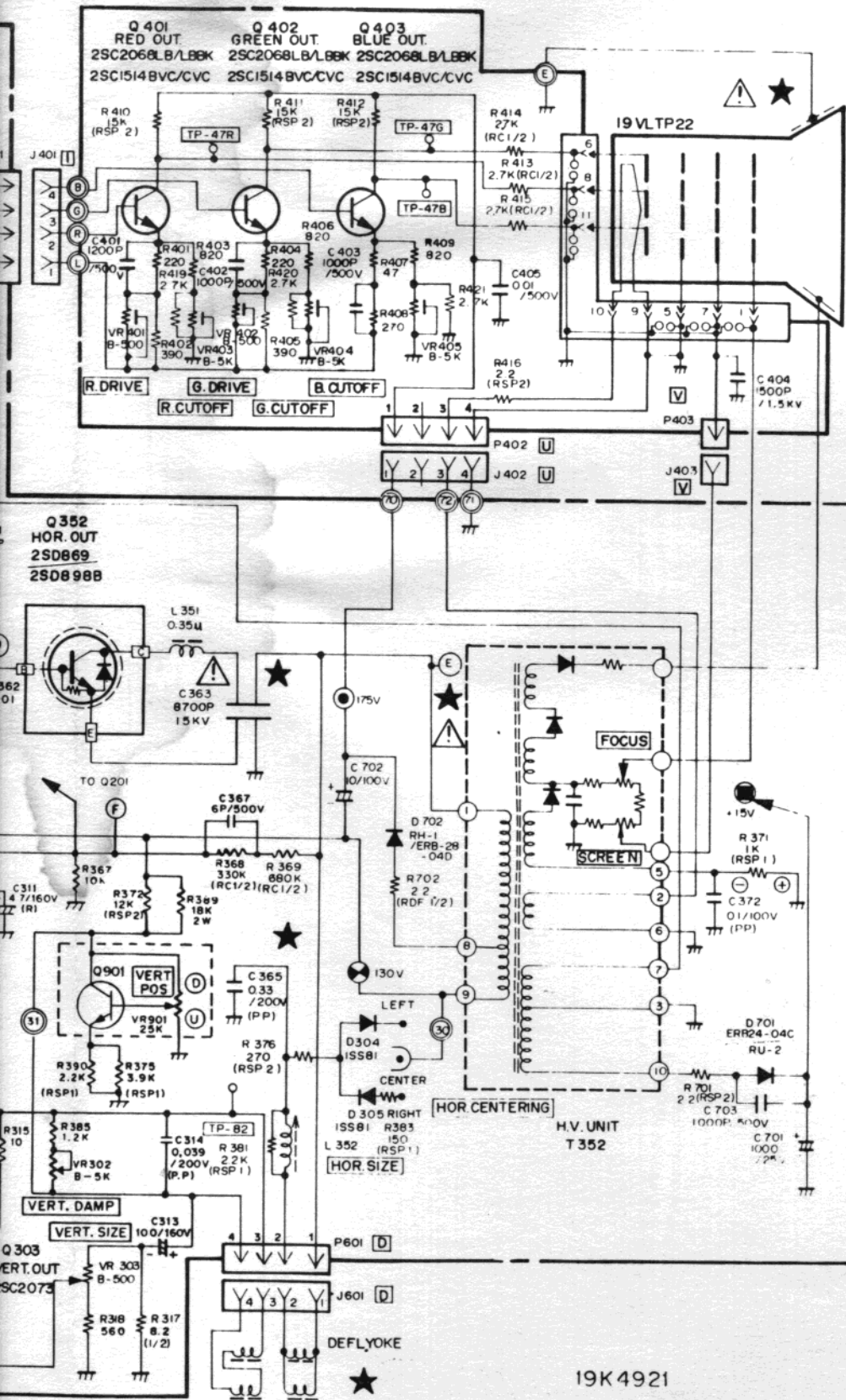
P101-1 75 ohm Input
P101-2 Ground
P102-1 Vs Supply (16V)
P102-2 External Tint Wiper
P102-3 External Color Wiper
P102-4 Ground to Control
P102-5 External Detail Wiper
P102-6 Not Used
P102-7 Vcc to Control (12V)
P103-1 Ground
P103-2 Blanking Output
P103-3 Positive Composite Sync.
P103-4 Red Output
P103-5 Green Output
P103-6 Blue Output

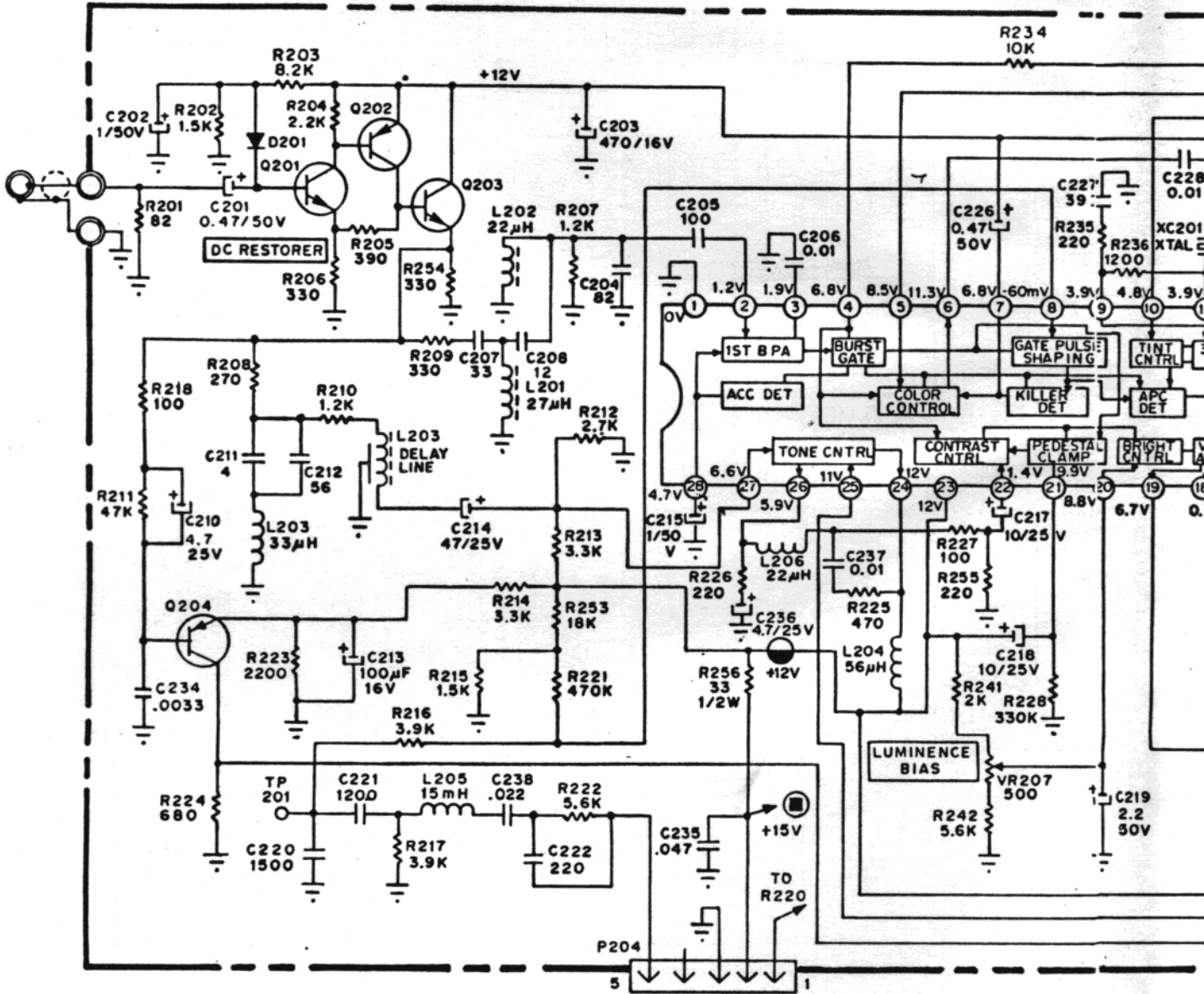


19" COLOR GAME MO



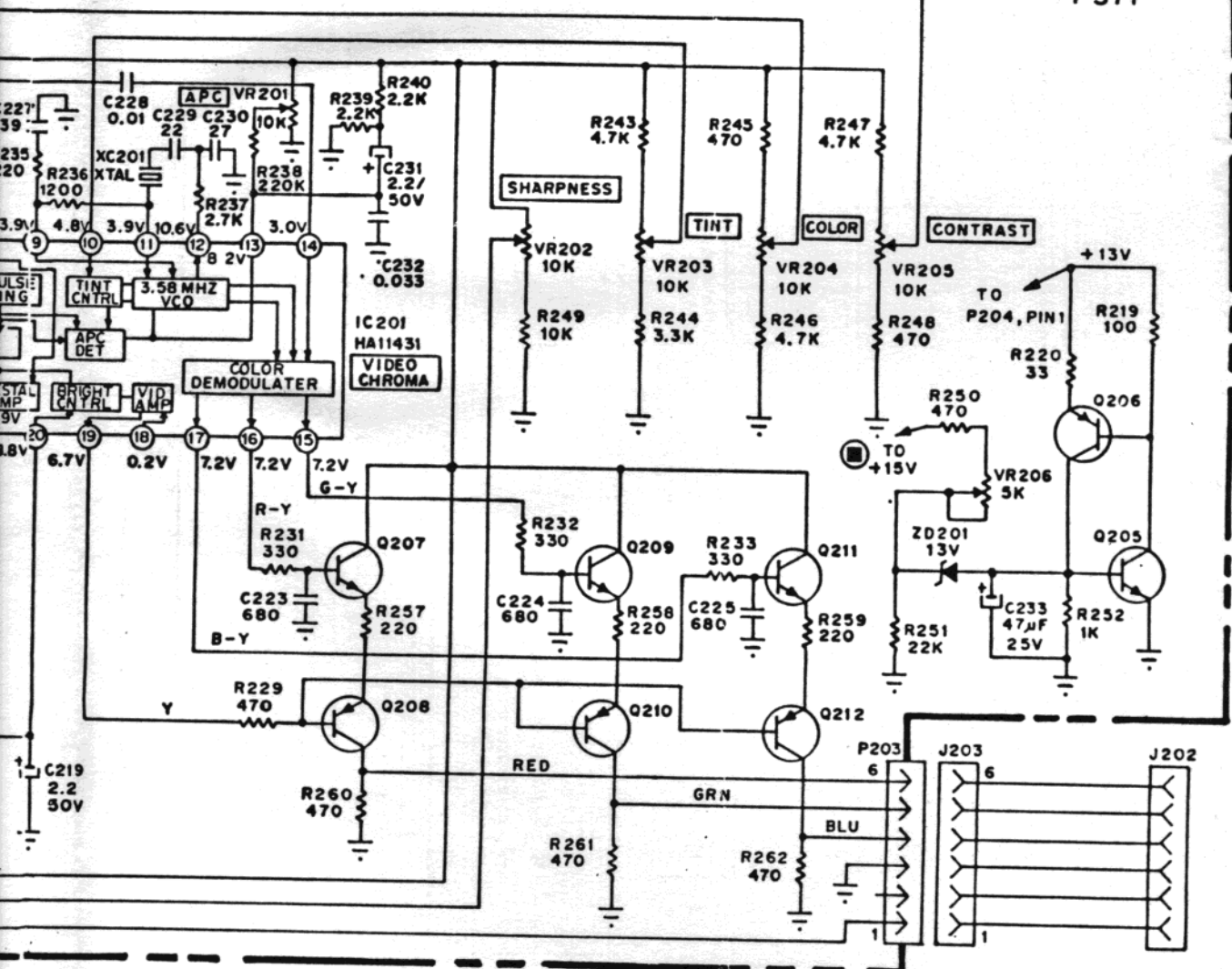
MONITOR SCHEMATIC DIAGRAM





WELLS GARDNER NTSC DECODER SCH

P371



DER SCHEMATIC

MAGICOM WIRING HARNESS

FROM	PIN	TO	PIN	SIGNAL
LF	HOT	SW	COMMON	AC LINE HOT
SW	N/OPEN	PS1	3	AC LINE HOT
SW	N/OPEN	VDP	HOT	AC LINE HOT
LF	NEUTRAL	PS1	2	AC LINE NEUTRAL
LF	NEUTRAL	VDP	NEUTRAL	AC LINE NEUTRAL
PS2	1	ISO	PRI	115V AC #1 HOT
PS2	3	LAMP	HOT	115V AC #2 HOT
PS2	3	FAN	HOT	115V AC #2 HOT
PS2	2	ISO	PRI	115V AC #1 NEUTRAL
PS2	4	LAMP	NEUTRAL	115V AC #2 NEUTRAL
PS2	4	FAN	NEUTRAL	115V AC #2 NEUTRAL
MON	FRAME	LAMP	FRAME	FRAME GROUND
PS1	1	MON	FRAME	FRAME GROUND
LF	FRAME	PS1	1	FRAME GROUND
LF	FRAME	CPU	FRAME	FRAME GROUND
CPU	FRAME	COIN	3	FRAME GROUND
COIN	3	OCP	9	FRAME GROUND
OCP	9	CP	7	FRAME GROUND
PS1	9	CPU	3	+5V
PS1	10	CPU	4	+5V
PS1	11	CPU	7	+5V RETURN
PS1	7	CPU	30	+25V
PS1	12	CPU	8	+25V RETURN
PS1	5	COIN	8	6.3V AC LAMPS
PS1	4	COIN	9	6.3V AC LAMPS RETURN
COIN	1	CPU	10	COIN SLOT 0
COIN	2	CPU	14	COIN SLOT 1
COIN	7	CPU	11	COIN RETURN
CP	2	CPU	6	2 PLAYER START
CP	3	CPU	2	1 PLAYER START
CP	4	CPU	1	JOYSTICK RIGHT
CP	5	CPU	29	SWORD/ACTION
CP	6	CPU	5	JOYSTICK LEFT
CP	8	CPU	9	JOYSTICK DOWN
CP	9	CPU	13	JOYSTICK UP
CP	1	CPU	12	CONTROL PANEL RETURN
OCP	4	CPU	33	COIN COUNTER
OCP	8	CPU	32	COIN COUNTER RETURN
OCP	3	VDP	CENTER	DISC AUDIO (LEFT)
OCP	1	VDP	SHIELD	DISC AUDIO RETURN (LEFT)
OCP	5	VDP	CENTER	DISC AUDIO (RIGHT)

OCP	7	VDP	SHIELD	DISC AUDIO RETURN (RIGHT)
OCP	2	CPU	24	VOLUME OUT (LEFT)
OCP	1	CPU	23	VOLUME OUT RETURN (LEFT)
OCP	6	CPU	16	VOLUME OUT (RIGHT)
OCP	7	CPU	15	VOLUME OUT RETURN (RIGHT)
CPU	28	SPKR	L+	SPEAKER (LEFT)
CPU	27	SPKR	L-	SPEAKER RETURN (LEFT)
CPU	20	SPKR	R+	SPEAKER (RIGHT)
CPU	19	SPKR	R-	SPEAKER RETURN (RIGHT)

PS1 = POWER SUPPLY 12 PIN CONNECTOR
 PS2 = POWER SUPPLY 4 PIN CONNECTOR
 FAN = COOLING FAN
 SW = POWER SWITCH
 CPU = LOGIC BOARD
 LAMP = FLORESCENT LAMP
 CP = CONTROL PANEL
 SPKR = SPEAKERS
 COIN = COIN DOOR
 MON = MONITOR
 VDP = VIDEODISC PLAYER
 LF = AC LINE FILTER
 OCP = OPERATOR CONVENIENCE PANEL
 ISO = MONITOR ISOLATION TRANSFORMER

NOTE: GAMES EQUIPPED WITH PR7820 DISC PLAYERS HAVE DISC PLAYER FRAME GROUND TIED TO LINE FILTER FRAME GROUND.