

This document has been downloaded from:



The largest resource for amusement machines
documentation on the world wide web!



FLIPPERSPILL.COM

GUZZLER
OPTIONAL DIP SWITCH SETTINGS

Dip Switch A (8P Dip Switch)

1. Credits

| Coin | Play | SW5 | SW6 | SW7 | SW8 | Coin Switch No. |
|------|------|-----|-----|-----|-----|-----------------|
| 1 | 1 | | | Off | Off | 2 |
| 1 | 2 | | | On | Off | |
| 1 | 3 | | | Off | On | |
| 1 | 6 | | | On | On | |
| 1 | 1 | Off | Off | | | 1 |
| 2 | 1 | On | Off | | | |
| 1 | 2 | Off | On | | | |
| 1 | 3 | On | On | | | |

2. Number Of Guzzlers

| No. Of Guzzlers | SW1 | SW2 |
|-----------------|-----|-----|
| 3 | Off | Off |
| 4 | On | Off |
| 5 | Off | On |
| Free Play (64) | On | On |

3. Bonus Points & Extra Guzzlers

| Bonus Points | Extra Guzzler | SW3 | SW4 |
|---------------------------|---------------|-----|-----|
| At 30,000 & every 100,000 | One | Off | Off |
| At 20,000 & every 50,000 | One | On | Off |
| At 30,000 Only | One | Off | On |
| No Bonus Points | None | On | On |

Dip Switch B (4P Dip Switch)

1. Game Style

| Style | SW1 |
|---------|-----|
| Table | Off |
| Upright | On |

2. Name Registration

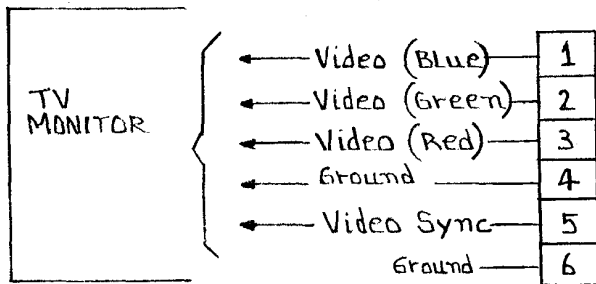
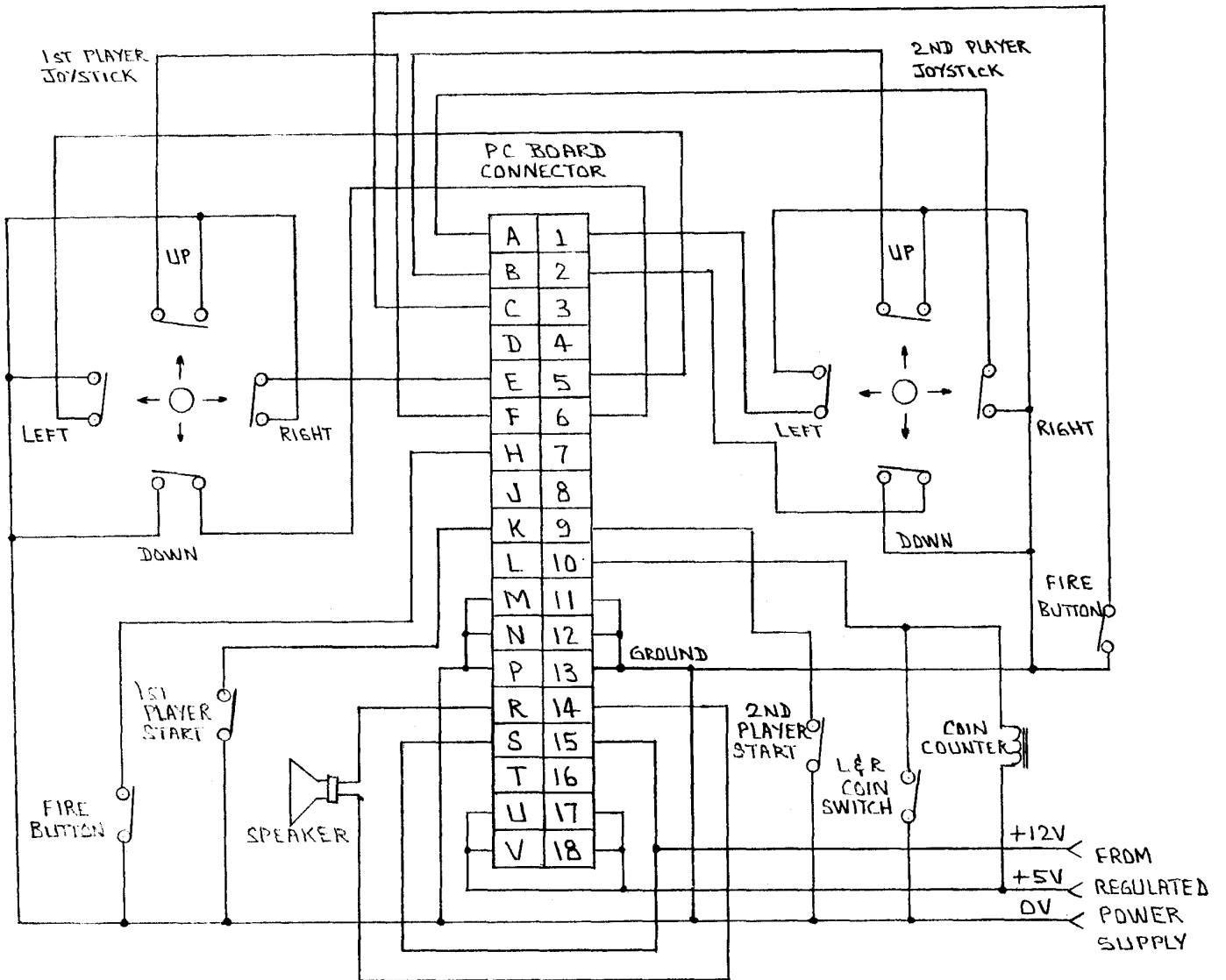
| Option | SW2 |
|---|-----|
| 10 letters can be registered | Off |
| 3 letters & final Round No. can be registered | On |

3. Play Difficulty

| Option | SW3 | SW4 |
|-----------|-----|-----|
| Easy | Off | Off |
| Average | On | Off |
| Hard | Off | On |
| Difficult | On | On |

GUZZLER

C.P.U. HARNESS DIAGRAM



VIDEO BOARD
CONNECTOR

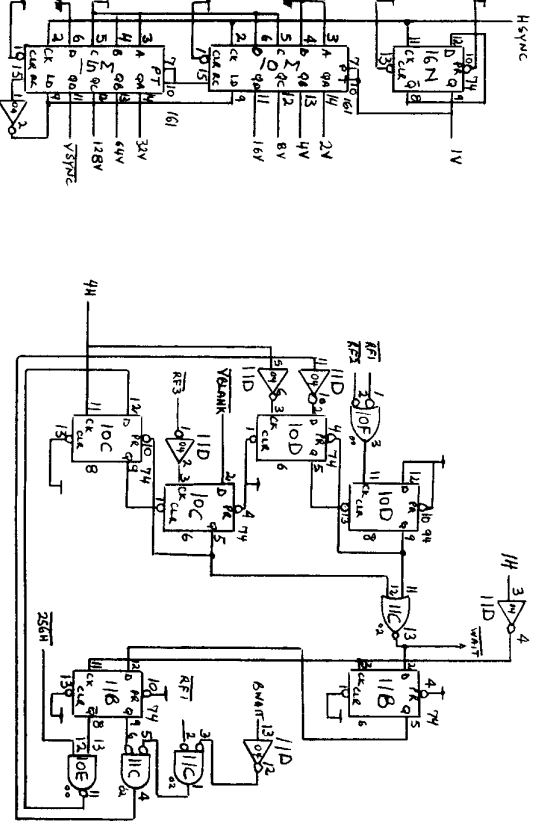
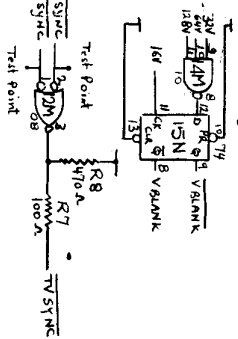
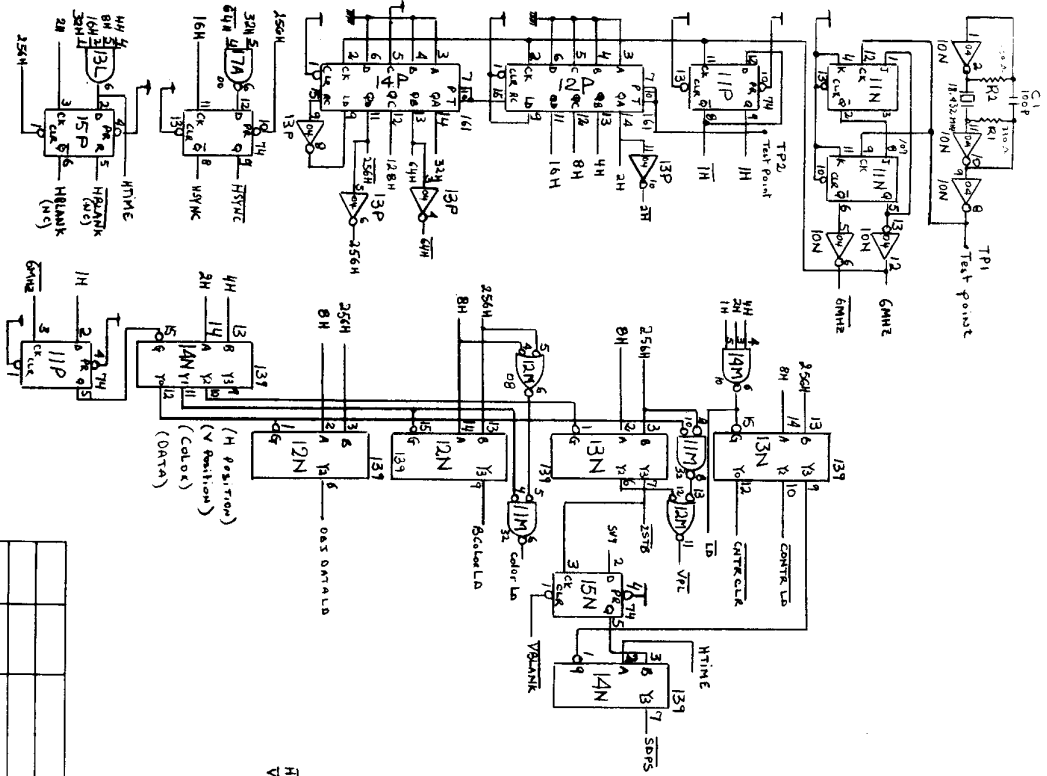
NOTE: NUMBERS ARE ON
COMPONENT SIDE

| | | | |
|-------------|----|--------------|------|
| 2P-LEFT | 1 | BROWN | 100" |
| 2P-DOWN | 2 | GREEN | 100" |
| 2P-RIGHT | A | ORANGE | 100" |
| 2P-UP | B | YELLOW | 100" |
| 2P-SHOOT | C | VIOLET | 100" |
| 1P-LEFT | 5 | BROWN | 100" |
| 1P-DOWN | 6 | GREEN | 100" |
| 1P-RIGHT | E | ORANGE | 100" |
| 1P-UP | F | YELLOW | 100" |
| 1PLSHOOT | H | VIOLET | 100" |
| 2PRAYER | G | GRAY | 100" |
| 1PRAYER | A | WHITE | 100" |
| COIN 1 | 10 | BLUE | 65" |
| COIN 2 | L | BLACK | 65" |
| GND | 11 | BLACK | 100" |
| GND | 12 | BLACK | 100" |
| GND | 13 | BLACK | 50" |
| GND | M | BLACK | 50" |
| GND | N | BLACK 18 AWG | 65" |
| GND | P | BLACK | 65" |
| GND | Q | BLACK | 100" |
| SPEAKER (+) | 14 | GRAY | 100" |
| SPEAKER (-) | R | GRAY | 100" |
| +12V | S | ORANGE | 65" |
| +12V | 5 | ORANGE | 100" |
| +5V | U | RED | 100" |
| +5V | V | RED | 100" |
| +5V | 17 | RED | 65" |
| +5V | 18 | RED 18 AWG | 65" |

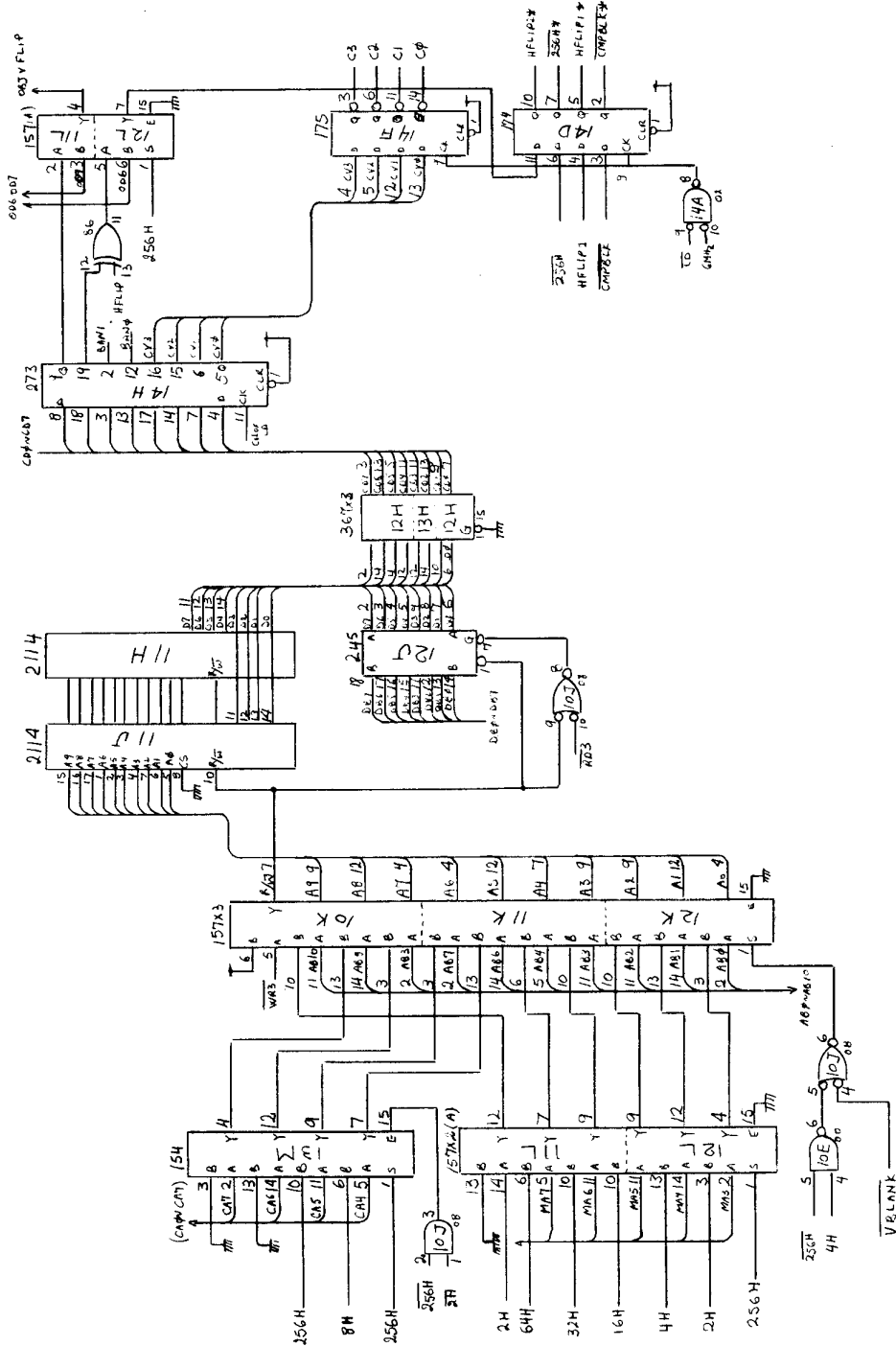
* NOTE: ALL THE WIRES IS
22 AWG UNLESS
OTHERWISE SPECIFIED.

| | | |
|---|-------|-----|
| 1 | BLUE | 65" |
| 2 | GREEN | 65" |
| 3 | RED | 65" |
| 4 | BLACK | 65" |
| 5 | WHITE | 65" |

| | | | |
|---|------------|----------------------------|-------------|
| QC. APVD | PROD. APVD | QTY. | ASSEMBLY NO |
| | | | |
| centun HIALEAH, FLORIDA 33014 | | | |
| NAME | | CPU HARNESS GUZZLER | |
| MATERIALS | | HEAT TREAT. FINISH | |
| DWN | APPD. | DATE | SCALE |
| AAH | | 3-22-83 | |
| REV. LET. | ECN NO. | REVISION | BY |
| | | | |
| TOLERANCES | | Unless Otherwise Specified | |
| FRACTIONS | ± 1/32 | | |
| DECIMALS 2 PL | ± .015 | | |
| DECIMALS 3 PL | ± .005 | | |
| HOLES | ± .003 | | |
| ANGLES | ± .001 | | |
| SHT. MET BENDS | ± 1/2° | | |
| REV. | PART NO. | 008-4888 | |
| | REV. | | |



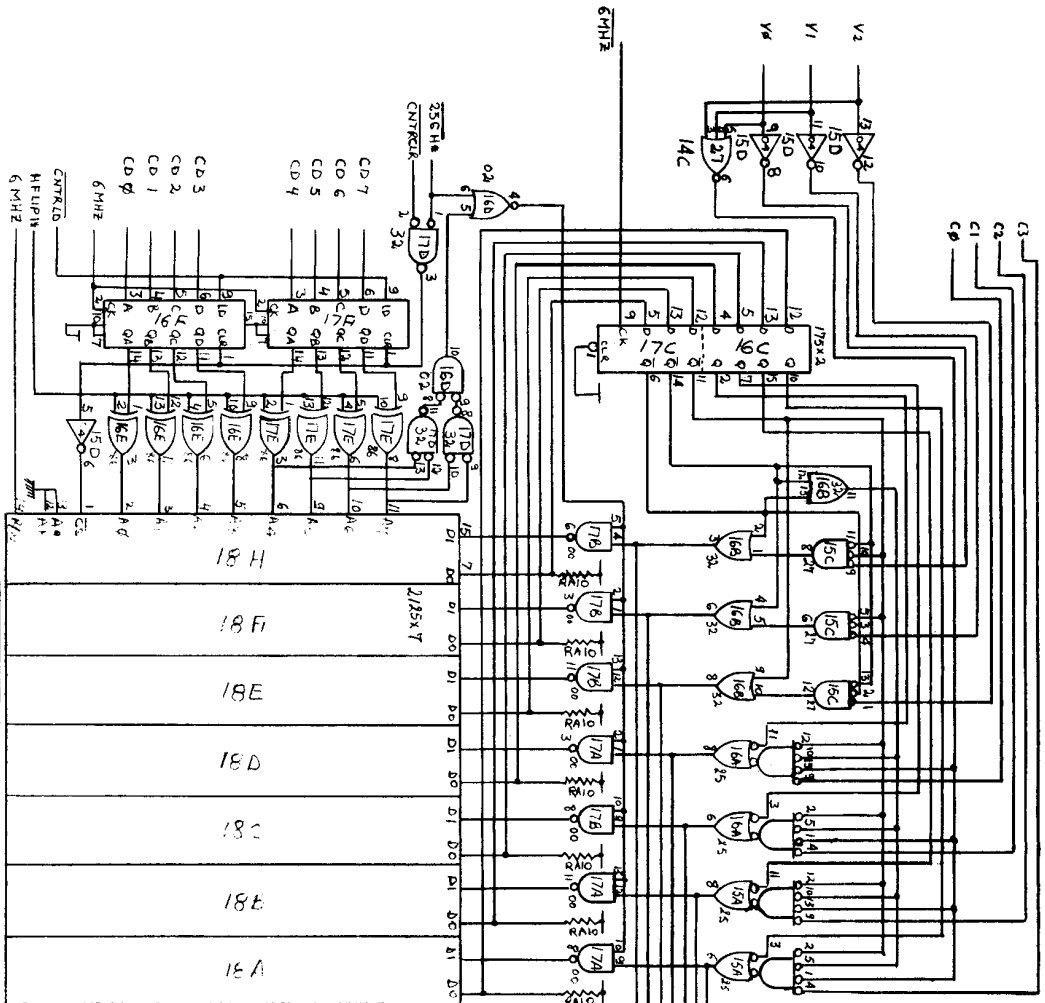
| REV. LET. | | ECN NO. | | REVISION | | BY | | SHT. MET. BENDS ± | | | | | | | | | | | | | | | | | | | | | | | | | | | | | |
|---|---|----------------------------|--|---|--|-------------|--|-------------------|--|------------|--|----------------------------|--|-----------|---|------|--|---------------|---|-----|--|---------------|---|-----|--|-------|---|------|--|--------|---|------|--|-----------------|---|------|--|
| | | | | | | | | | | | | | | | | | | | | | | | | | | | | | | | | | | | | | |
| <table border="1"> <thead> <tr> <th colspan="2">TOLERANCES</th> <th colspan="2">UNLESS OTHERWISE SPECIFIED</th> </tr> </thead> <tbody> <tr> <td>FRACTIONS</td> <td>±</td> <td>1/32</td> <td></td> </tr> <tr> <td>DECIMALS 2 PL</td> <td>±</td> <td>015</td> <td></td> </tr> <tr> <td>DECIMALS 3 PL</td> <td>±</td> <td>005</td> <td></td> </tr> <tr> <td>Holes</td> <td>+</td> <td>.003</td> <td></td> </tr> <tr> <td>ANGLES</td> <td>-</td> <td>.001</td> <td></td> </tr> <tr> <td>SHT. MET. BENDS</td> <td>±</td> <td>1/2°</td> <td></td> </tr> </tbody> </table> | | | | | | | | | | TOLERANCES | | UNLESS OTHERWISE SPECIFIED | | FRACTIONS | ± | 1/32 | | DECIMALS 2 PL | ± | 015 | | DECIMALS 3 PL | ± | 005 | | Holes | + | .003 | | ANGLES | - | .001 | | SHT. MET. BENDS | ± | 1/2° | |
| TOLERANCES | | UNLESS OTHERWISE SPECIFIED | | | | | | | | | | | | | | | | | | | | | | | | | | | | | | | | | | | |
| FRACTIONS | ± | 1/32 | | | | | | | | | | | | | | | | | | | | | | | | | | | | | | | | | | | |
| DECIMALS 2 PL | ± | 015 | | | | | | | | | | | | | | | | | | | | | | | | | | | | | | | | | | | |
| DECIMALS 3 PL | ± | 005 | | | | | | | | | | | | | | | | | | | | | | | | | | | | | | | | | | | |
| Holes | + | .003 | | | | | | | | | | | | | | | | | | | | | | | | | | | | | | | | | | | |
| ANGLES | - | .001 | | | | | | | | | | | | | | | | | | | | | | | | | | | | | | | | | | | |
| SHT. MET. BENDS | ± | 1/2° | | | | | | | | | | | | | | | | | | | | | | | | | | | | | | | | | | | |
| century NAME: CLOCK WAIT MAT'L S. | | | | HIALEAH, FLORIDA 33014 GUZZLER B 102-401 HEAT TREAT. FINISH | | | | | | | | | | | | | | | | | | | | | | | | | | | | | | | | | |
| DWN | | APP'D. | | DATE | | SCALE | | PART NO. | | | | | | | | | | | | | | | | | | | | | | | | | | | | | |
| [Signature] | | [Signature] | | 4/18/82 | | | | 905-4894 | | | | | | | | | | | | | | | | | | | | | | | | | | | | | |
| OC APVD | | PRD APVD | | QTY | | ASSEMBLY NO | | | | | | | | | | | | | | | | | | | | | | | | | | | | | | | |



PAGE 2

| TOLERANCES | | QC. APV'D | | PROD. APV'D | | ASSEMBLY NO | |
|----------------------------|--------|--------------|--|-------------------------|--|------------------------|--|
| Unless Otherwise Specified | | | | | | | |
| FRACTIONS | ± 1/32 | | | | | HIALEAH, FLORIDA 33014 | |
| DECIMALS 2 PL | ± .015 | | | | | NAME OBJ. RAM | |
| DECIMALS 3 PL | ± .005 | | | | | GUZZIER B 102-401 | |
| HOLES | ± .003 | | | | | HEAT TREAT. FINISH | |
| ANGLES | ± .001 | | | | | SCALE PART NO. | |
| SHT. MET BENDS | ± 1/2° | DATE 8/19/82 | | DWN. APP'D. [Signature] | | REV. 905-4894 | |

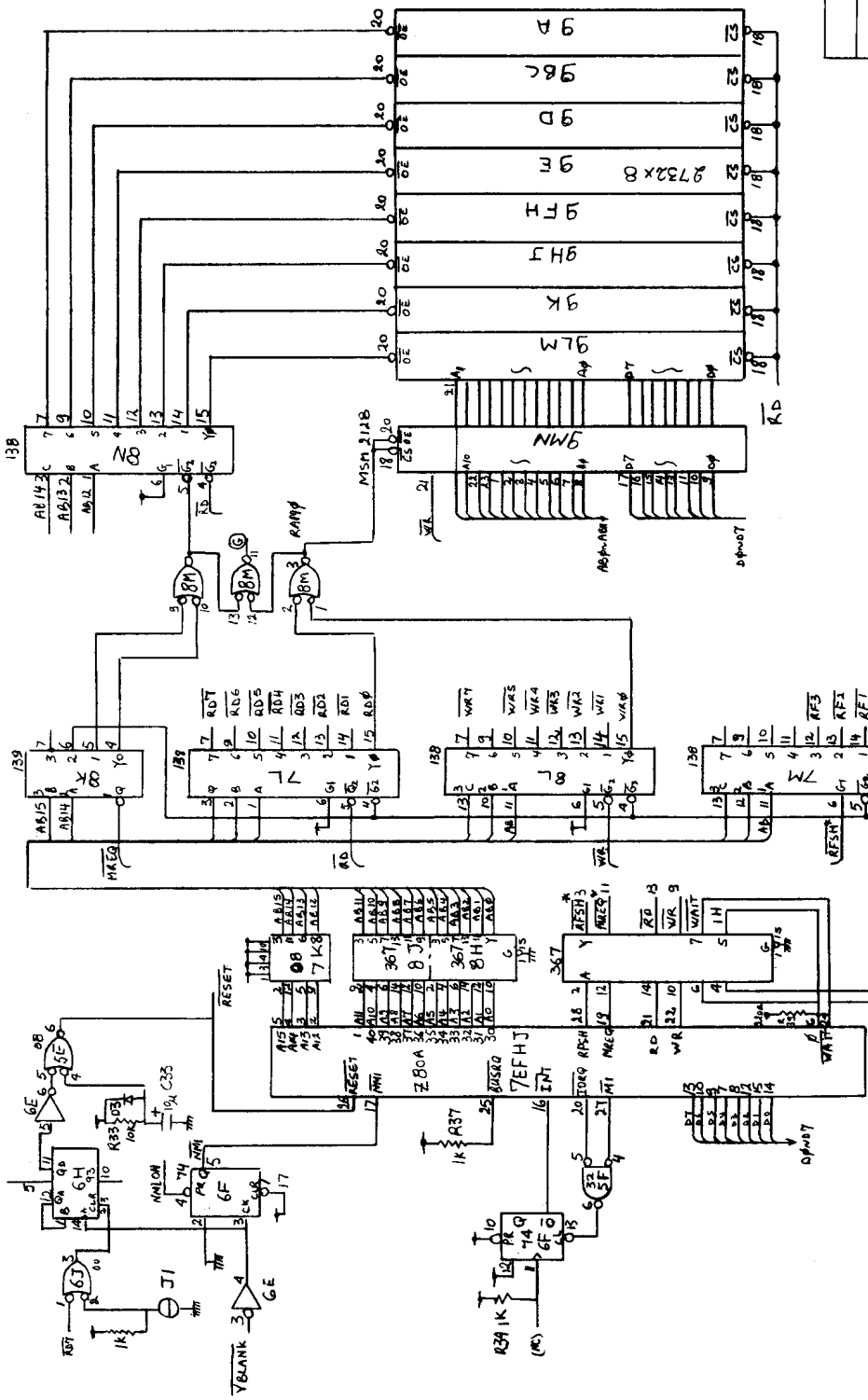
century inc.



| REV. LET. | ECN NO. | REVISION | BY |
|-----------|---------|----------|----|
| | | | |
| | | | |
| | | | |
| | | | |

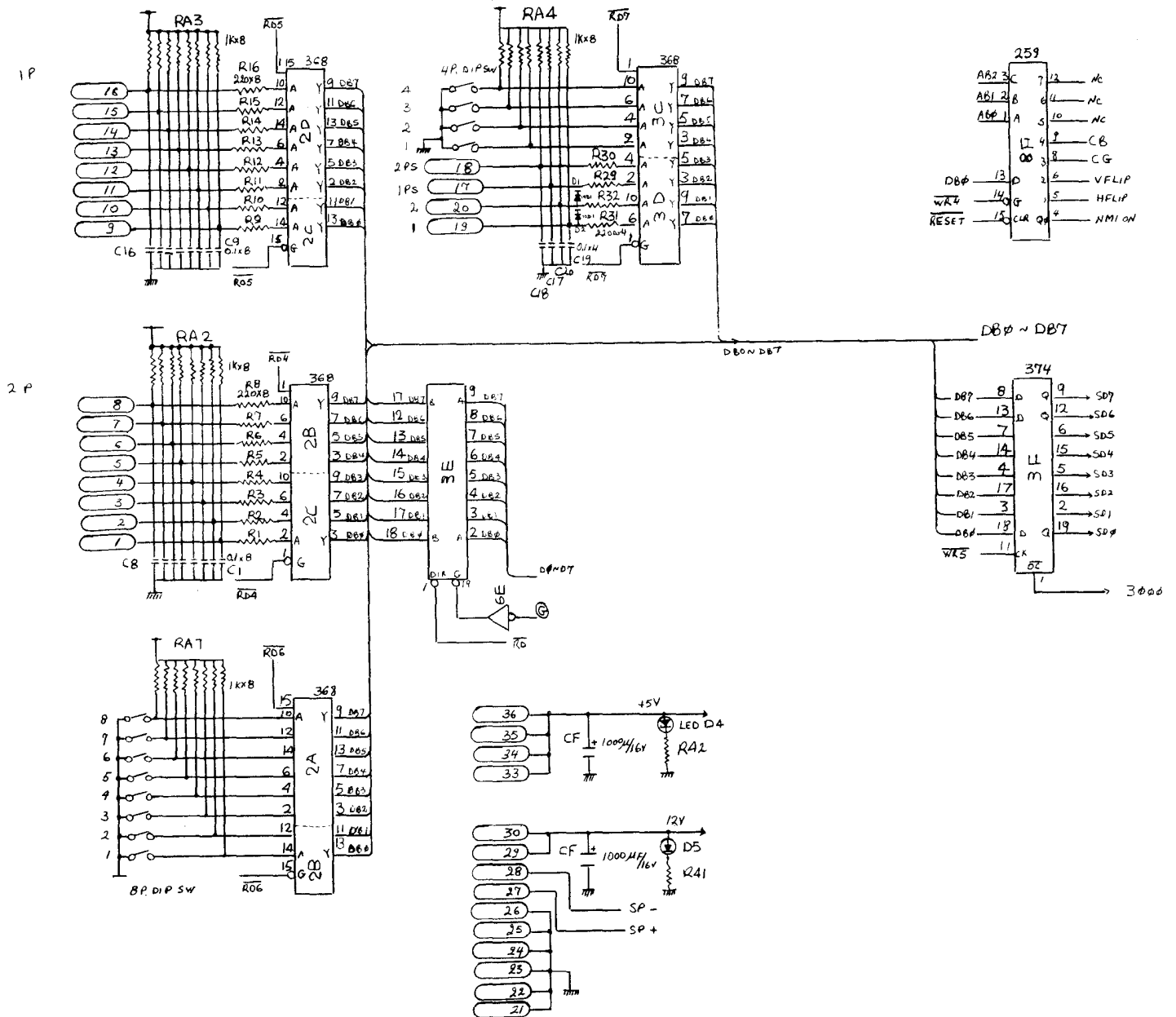
| TOLERANCES | |
|----------------------------|--------|
| Unless Otherwise Specified | |
| FRACTIONS | ± 1/32 |
| DECIMALS 2 PL | ± .015 |
| DECIMALS 3 PL | ± .005 |
| HOLES | + .003 |
| ANGLES | ± .001 |
| SHT MET BENDS | ± 1/2 |
| | 2 |

| NAME | | QC. APVD | | PROD. APVD | | QTY. | | ASSEMBLY NO. | |
|---------------------------|--|----------|--|------------|--|------|--|--------------|--|
| RAM OUT GUZZLER B 102-401 | | | | | | | | | |
| MATERIALS | | | | | | | | | |
| HEAT TREAT. | | | | | | | | | |
| FINISH | | | | | | | | | |
| DRAWN | | | | | | | | | |
| APP'D. | | | | | | | | | |
| DATE | | | | | | | | | |
| SCALE | | | | | | | | | |
| PART NO. | | | | | | | | | |
| REV. | | | | | | | | | |
| 905-4894 | | | | | | | | | |



PAGE 4

| TOLERANCES | | OC. APV'D | | PROD. APV'D | | ASSEMBLY NO | |
|----------------------------|--------|----------------------------|---------|-----------------------------------|--|-------------|--|
| Unless Otherwise Specified | | | | | | | |
| FRACTIONS | ± 1/32 | | | | | | |
| DECIMALS 2 PL | ± .015 | | | | | | |
| DECIMALS 3 PL | ± .005 | | | | | | |
| Holes | ± .003 | | | | | | |
| ANGLES | ± .001 | | | | | | |
| SHT. MET BENDS | ± 1/2° | | | | | | |
| REV. LET. | | REV. | | SCALE | | PART NO. | |
| ECN NO. | | DATE | 1/17/83 | APPD. | | FINISH | |
| BY | | DWN. | | HEAT TREAT. | | 905-4906 | |
| REVISION | | MATLS. | | CPU - RAM - ROM GUZZLER B 102-403 | | | |
| | | NAME | | HIALEAH, FLORIDA 33014 | | | |
| | | UNLESS OTHERWISE SPECIFIED | | | | | |
| | | QTY. | | | | | |

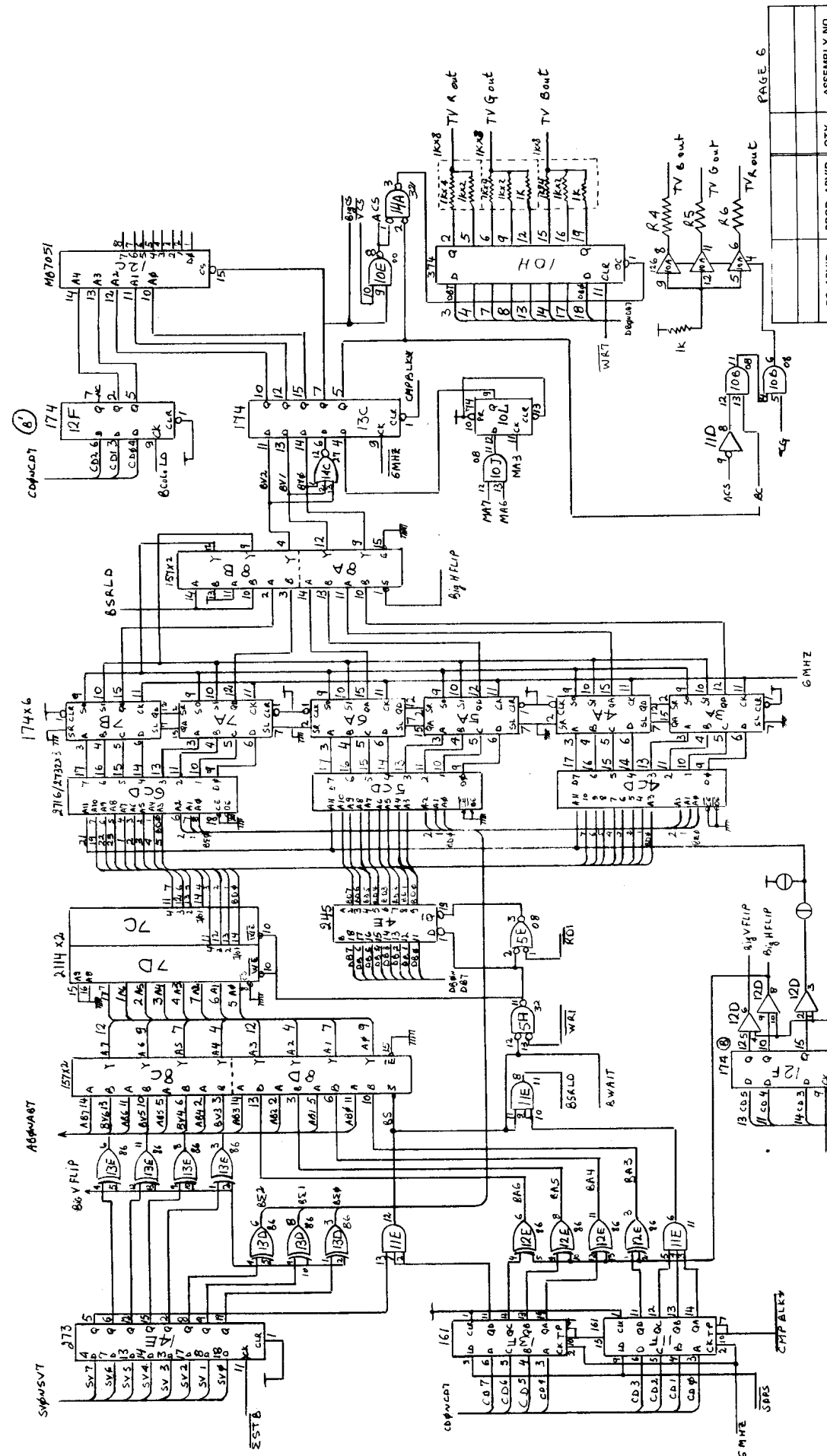


THE MATERIAL CONTAINED HEREIN IS CONFIDENTIAL AND NO PART OF IT CAN BE REPRODUCED WITHOUT THE EXPRESSED PERMISSION OF CENTURI, INC.

| | | | |
|-----------|-------------|------|-------------|
| QC. APV'D | PROD. APV'D | QTY. | ASSEMBLY NO |
| | | | |

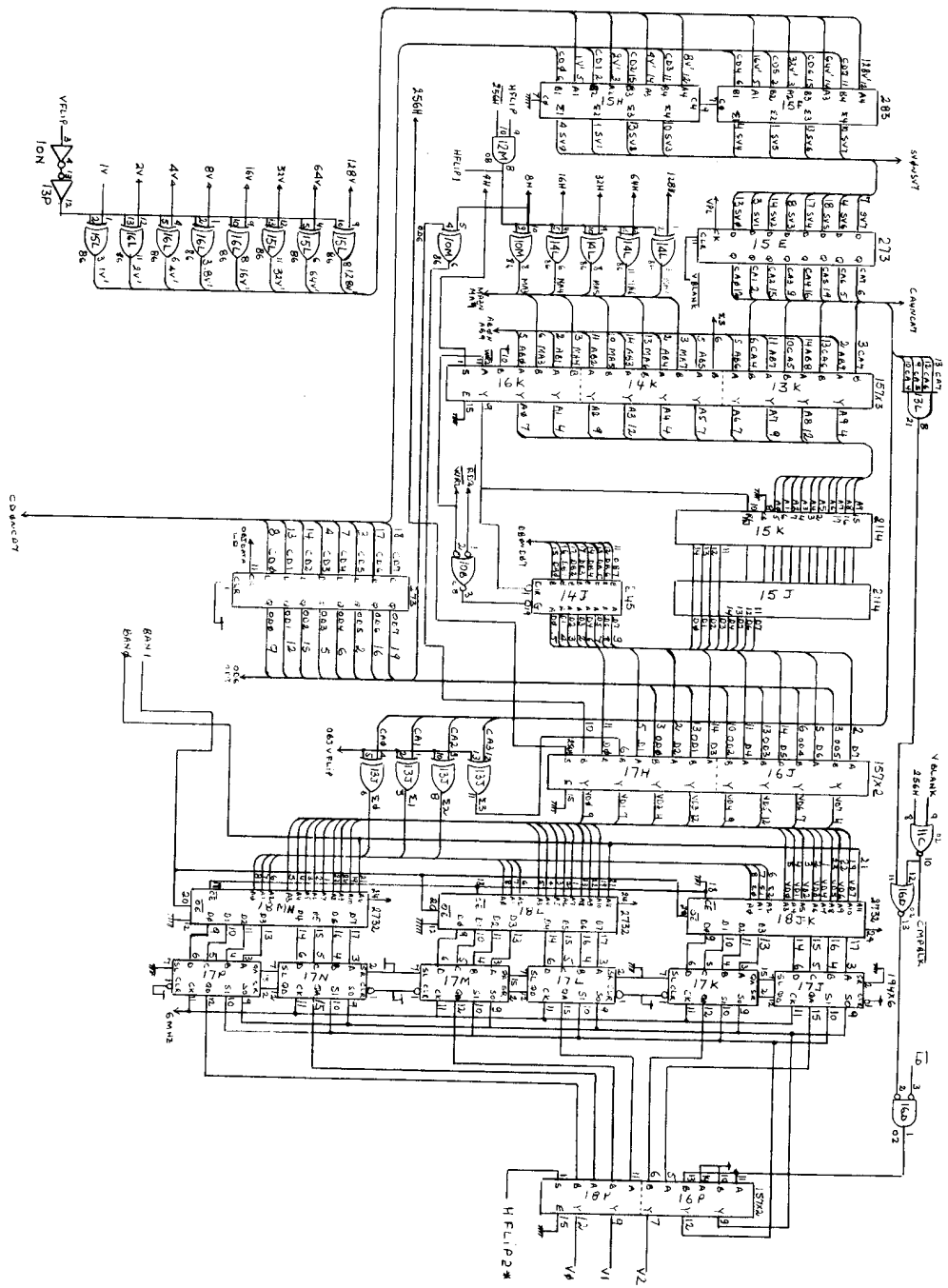
| TOLERANCES | | | | centuri | | | | HIALEAH, FLORIDA 33014 | | | |
|----------------------------|---------|----------|----|-------------------|--|--|--|------------------------|--|--|--|
| Unless Otherwise Specified | | | | NAME I/O | | | | GUZZLER B 102-403 | | | |
| FRACTIONS ± 1/32 | | | | MATERIALS | | | | HEAT TREAT. | | | |
| DECIMALS 2 PL ± .015 | | | | DWN. [Signature] | | | | APP'D. | | | |
| DECIMALS 3 PL ± .005 | | | | DATE 8/19/82 | | | | SCALE | | | |
| HOLES ± .003 | | | | PART NO. 905-4906 | | | | REV. | | | |
| ANGLES ± 1/2° | | | | REV. [Signature] | | | | | | | |
| BHT. MET BENDS ± 2° | | | | | | | | | | | |
| REV. LET. | ECN NO. | REVISION | BY | | | | | | | | |

CHARTING L8996, 1986 BY 12714



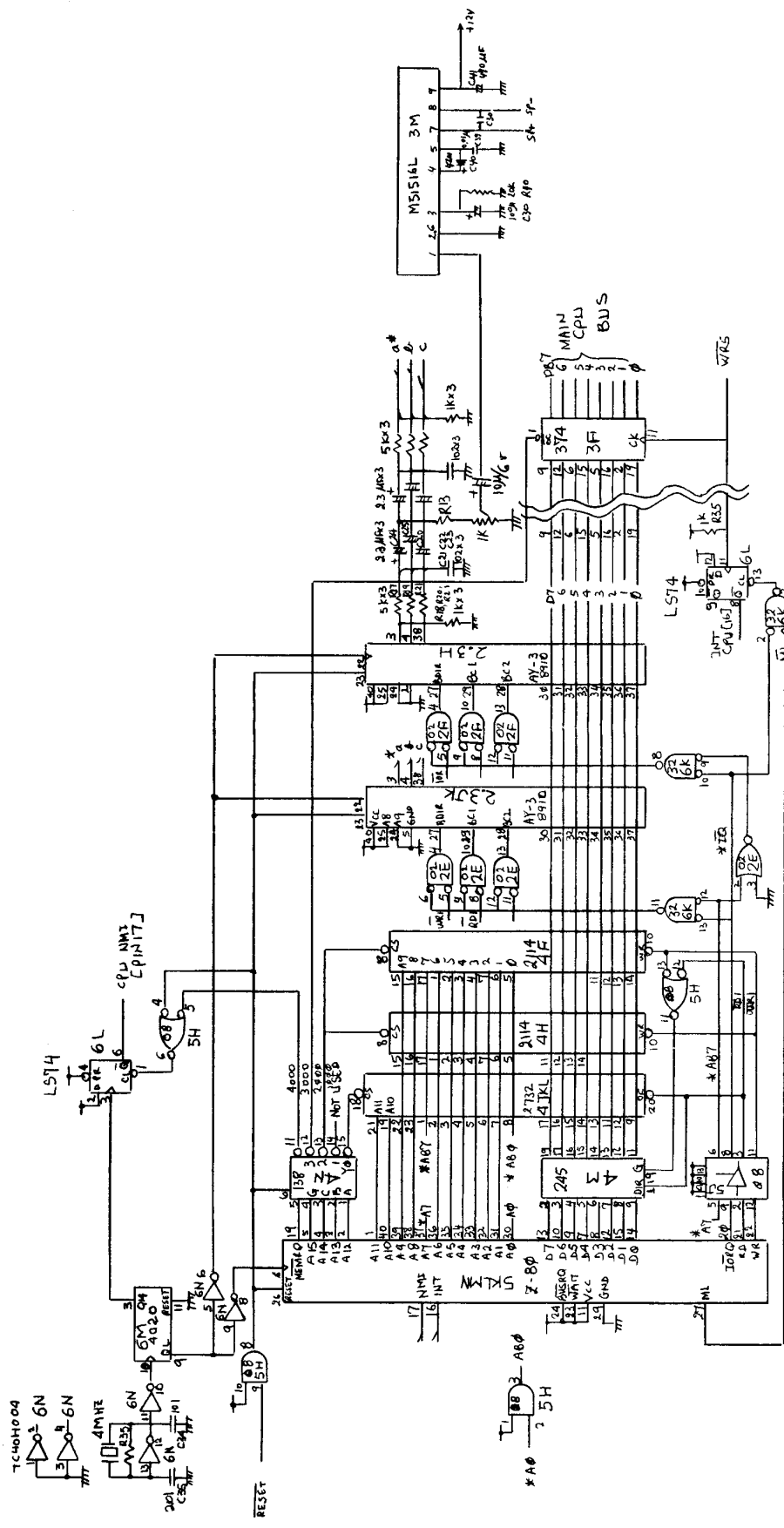
| TOLERANCES Unless Otherwise Specified | | HIALEAH, FLORIDA 33014 | |
|--|--------|------------------------|-------------------------------|
| FRACTIONS | ± 1/32 | NAME | GUZZIER, B 102-401/ B 102-403 |
| DECIMALS 2 PL | ± .015 | MAT'L'S | BIG |
| DECIMALS 3 PL | ± .003 | DWN | 8/14/82 |
| HOLES | ± .001 | APP'D | 8/14/82 |
| ANGLES | ± 1/2 | SCALE | AS SHOWN |
| SHT. MET BENDS | ± 2' | HEAT TREAT. | |
| REV. LET. | | FINISH | |
| ECN NO. | | PART NO. | 102-4014 |
| REVISION | | DATE | 8/14/82 |
| BY | | SCALE | AS SHOWN |
| | | SHT. MET BENDS | ± 2' |
| | | REV. | |

| OC. APVD | PROD. APVD | QTY. | ASSEMBLY NO |
|----------|------------|------|-------------|
| | | | |
| | | | |
| | | | |



PAGE 7

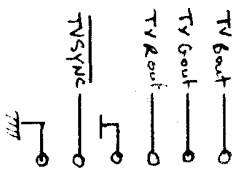
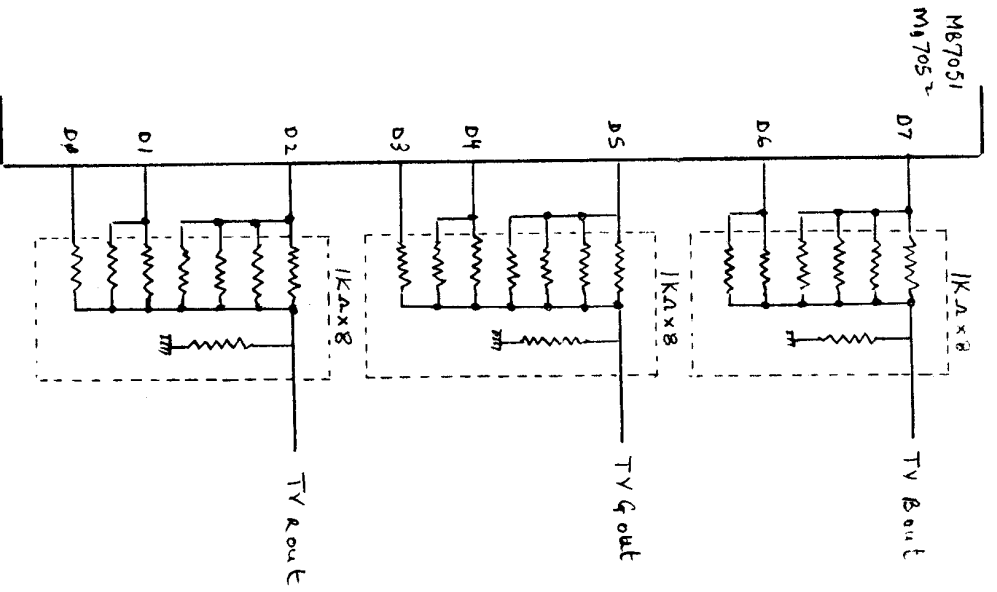
| | | | | | | | | | | | | | | | | | | | | | |
|-----------|--|----------|--|----------|--|----|--|--------------------|--|------------------|--|-------------------|--|----------|--|------------|--|------|--|--------------|--|
| REV. LET. | | CON. NO. | | REVISION | | BY | | SHT. MET. BENDES ± | | TOLERANCES | | NAME | | DC. APVD | | PNOD. APVD | | QTY. | | ASSEMBLY NO. | |
| | | | | | | | | | | FRACTIONS ± 1/32 | | CENTURY | | | | | | | | | |
| | | | | | | | | | | DECIMALS ± .016 | | VRAM | | | | | | | | | |
| | | | | | | | | | | HOLES ± .003 | | GUZZLER | | | | | | | | | |
| | | | | | | | | | | ANGLES ± .001 | | B 102-401 | | | | | | | | | |
| | | | | | | | | | | 1/2 Z | | FINISH | | | | | | | | | |
| | | | | | | | | | | | | PART NO. 905-4894 | | | | | | | | | |
| | | | | | | | | | | | | REV. | | | | | | | | | |



PAGE 8

| | | | |
|--|------------|-------------|--------------|
| QC. APVD | PROD. APVD | QTY. | ASSEMBLY NO. |
| centuri HIALEAH, FLORIDA 33014 | | | |
| NAME <i>swimmer</i> SOUND GUZZLER B 102-403 | | | |
| MATERIALS | | HEAT TREAT. | |
| DATE | SCALE | FINISH | |
| APPD. | SCALE | PART NO. | REV. |
| 8/18/82 | 1/2 | 905-4906 | |

| TOLERANCES | |
|----------------------------|--------|
| Unless Otherwise Specified | |
| FRACTIONS | ± 1/32 |
| DECIMALS 2 PL | ± .015 |
| DECIMALS 3 PL | ± .005 |
| HOLES | ± .001 |
| ANGLES | ± 1/2 |
| SHT. MET BENDS | ± 2 |



| | | | |
|-----------|---------|----------|----|
| REV. LET. | ECN NO. | REVISION | BY |
| | | | |
| | | | |
| | | | |

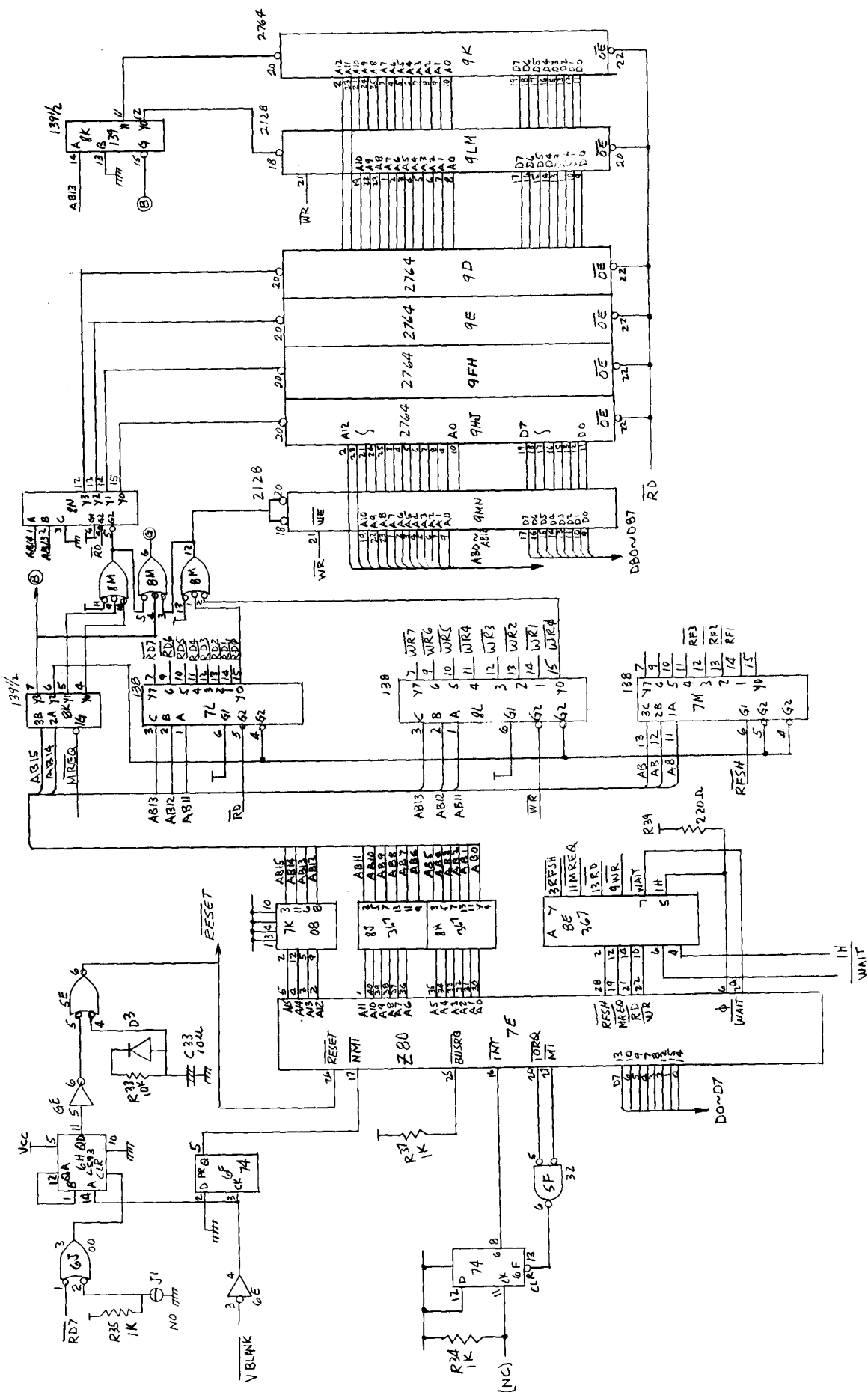
| TOLERANCES | |
|----------------------------|--------|
| Unless Otherwise Specified | |
| FRACTIONS | ± 1/32 |
| DECIMALS 2 PL | ± .015 |
| DECIMALS 3 PL | ± .005 |
| HOLES | + .003 |
| ANGLES | - .001 |
| SHT. MET BENDS | ± 1/2° |

| | | | |
|-----------|-------------|------|--------------|
| OC. APV'D | PROD. APV'D | QTY. | ASSEMBLY NO. |
| | | | |
| | | | |

century HIALEAH, FLORIDA 33014

NAME: BTG V RAM
 MATL'S: SWI MM 6.1
 HEAT TREAT: Solder

DWN: *M. M. M.* APP'D: DATE: 8/19/82 SCALE: PART NO.: REV.:



PAGE 10

| | | | |
|-----------|-------------|------|--------------|
| QC. REV'S | PROD. REV'S | QTY. | ASSEMBLY NO. |
| | | | |

| | |
|---------------------------------------|-------------------|
| centum MIAMI, FLORIDA 33114 | |
| NAME | Guzzler B 102-403 |
| MAT'L S. | HEAT TREAT |
| FINISH | |
| DATE | 4-6-83 |
| APP'D. | AIN |
| SCALE | |
| PART NO. | |
| REV. | 905-4906 |

| REV. LET. | ECN NO. | REVISION | BY |
|-----------|---------|----------|----|
| | | | |

| TOLERANCES Unless Otherwise Specified | |
|---------------------------------------|--------|
| FRACTIONS | ± 1/32 |
| DECIMALS 2 PL | ± .015 |
| DECIMALS 3 PL | ± .003 |
| HOLE S. | ± .001 |
| ANGLES | ± 1/2° |
| SHT. MET. BENDS | ± 2° |

GUZZLER PARTS LIST

P.C.B. ASS'Y PART NO. 003-4545

1. Integrated Circuits

| <u>DESCRIPTION</u> | <u>PART NO.</u> | <u>Q'TY</u> |
|--------------------|-----------------|-------------|
| 74LS00 | 501-0102 | 4 |
| 74LS02 | 501-0105 | 4 |
| 74LS04 | 501-0108 | 5 |
| 74LS08 | 501-0153 | 8 |
| 74LS10 | 501-0112 | 1 |
| 74LS11 | 501-0165 | 2 |
| 74LS21 | 501-0196 | 1 |
| 7425 | 501-0115 | 2 |
| 74LS27 | 501-0259 | 2 |
| 74LS32 | 501-0156 | 6 |
| 74LS74 | 501-0121 | 9 |
| 74LS86 | 501-0125 | 10 |
| 74LS93 | 501-0127 | 1 |
| 74LS107 | 501-0129 | 1 |
| 74LS126 | 501-0402 | 1 |
| 74LS138 | 501-0200 | 5 |
| 74LS139 | 501-0170 | 4 |
| 74LS157 | 501-0141 | 17 |
| 74LS161 | 501-0137 | 6 |
| 74LS163 | 501-0184 | 2 |
| 74LS174 | 501-0135 | 5 |
| 74LS175 | 501-0158 | 3 |
| 74LS194 | 501-0186 | 12 |
| 74LS245 | 501-0202 | 5 |
| 74LS259 | 501-0190 | 1 |
| 74LS273 | 501-0205 | 4 |
| 74LS283 | 501-0207 | 2 |
| 74LS367 | 501-0176 | 5 |
| 74LS368 | 501-0211 | 6 |
| 74LS374 | 501-0204 | 2 |
| Z80A | 501-0093 | 2 |
| 2114 | 501-0077 | 8 |
| 2125 | 501-0067 | 7 |
| 2732 | 500-0008 | 7 |
| 2764 | 500-0023 | 5 |
| 82S123 | 500-0010 | 1 |
| 82S129 | 500-0011 | 2 |
| AY-3-8910 | 501-0237 | 2 |
| M51516L | 501-0249 | 1 |
| M58725 | 501-0074 | 2 |
| MSM4020 | 501-0351 | 1 |
| TC40H004 | 501-0401 | 1 |

2. Capacitors, Ceramic

| | | |
|-------------|----------|-----|
| 0.1 Mfd.16V | 515-0712 | 100 |
| 100 Pfd | 515-0710 | 2 |
| 220 Pfd. | 515-0803 | 1 |
| 0.001 Mfd | 515-0712 | 6 |

3. Capacitors, Electrolytic

| <u>DESCRIPTION</u> | <u>PART NO.</u> | <u>Q'TY</u> |
|--------------------|-----------------|-------------|
| 2.2 Mfd 50V | 516-0907 | 6 |
| 4.7 " 25V | 516-0906 | 1 |
| 10 " 16V | 516-0859 | 1 |
| 47 " " | 516-0816 | 1 |
| 100 " " | 516-0819 | 1 |
| 470 " " | 516-0905 | 1 |
| 1000" " | 516-0813 | 2 |

4. Capacitors, Mylar

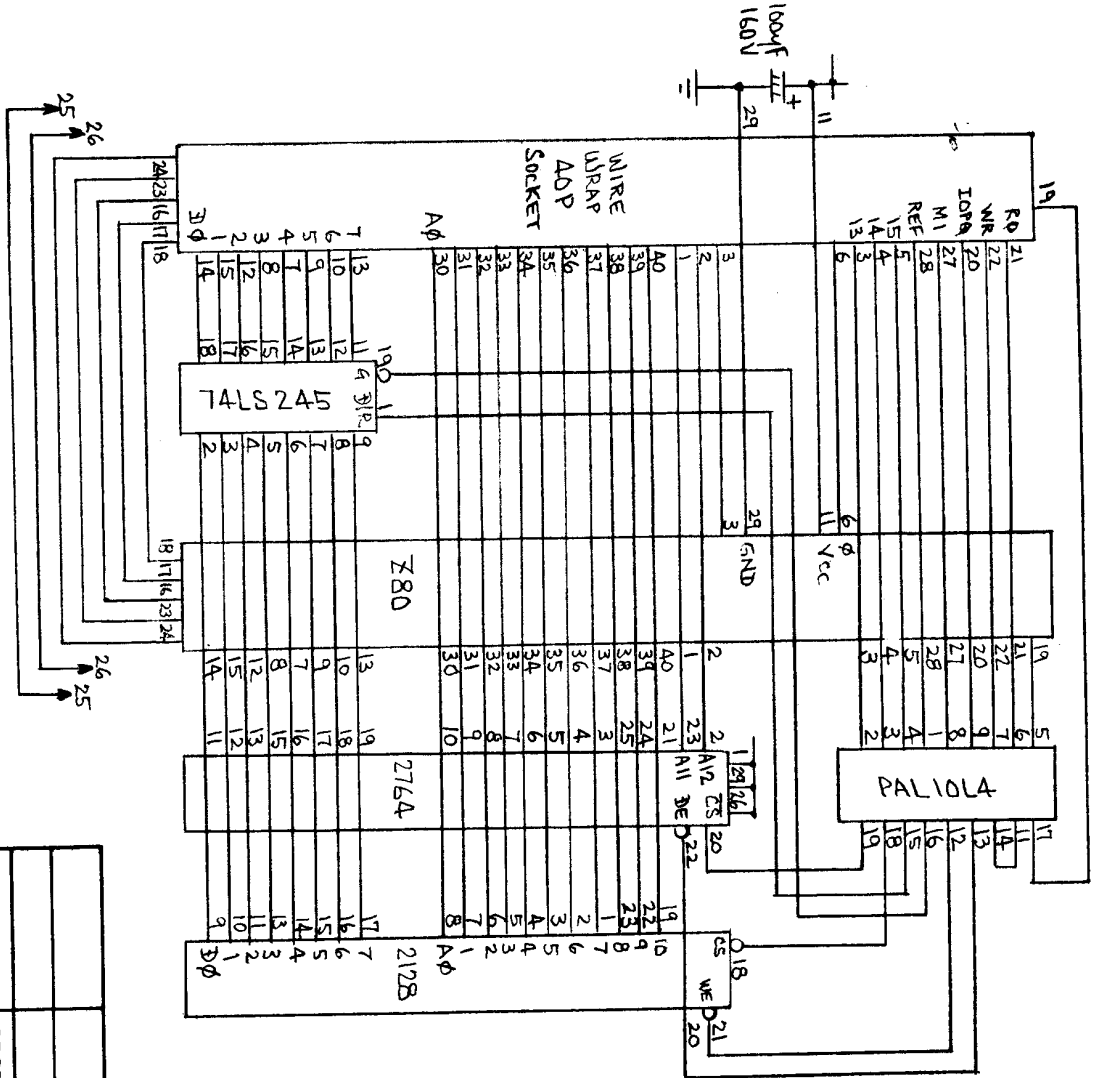
| | | |
|--------------|----------|---|
| 0.01 Mfd 50V | 517-0768 | 1 |
| 0.15 " " | 517-0790 | 1 |

5. Resistors

| | | |
|--------------|----------|----|
| 100 Ohm 1/4W | 503-0411 | 1 |
| 220 " " | 503-0433 | 22 |
| 330 " " | 503-0425 | 1 |
| 470 " " | 503-0407 | 3 |
| 1K " " | 503-0413 | 12 |
| 4.7K " " | 503-0405 | 6 |
| 10K " " | 503-0417 | 1 |
| 20K " " | 503-0440 | 1 |
| 1M " " | 503-0423 | 1 |

6. Miscellaneous

| | | |
|---------------|----------|----|
| Crystal | | |
| 18.432 Mhz | 507-0554 | 1 |
| Crystal | | |
| 4.000 Mhz | 507-0566 | 1 |
| Dip Sw. 4P | 506-1002 | 1 |
| Dip Sw 8P | 506-1000 | 1 |
| Diode 1N4001 | 510-0601 | 2 |
| Diode 1N914 | 510-0603 | 1 |
| L.E.D. | 510-0602 | 2 |
| 1K Trim Pot | 512-0655 | 1 |
| 1K Ohm Dip 9P | 504-1024 | 10 |
| 5.6K Ohm Dip | 504-1035 | 1 |
| 16P IC Socket | 514-1576 | 3 |
| 24P IC " | 514-1571 | 7 |
| 28P IC " | 514-1572 | 5 |



| | | | |
|--|---------|----------------------|----|
| REV. LET. | ECN NO. | REVISION | BY |
| <p>TOLERANCES Unless Otherwise Specified</p> <p>FRACTIONS ± 1/32 DECIMALS 2 PL ± .015 DECIMALS 3 PL ± .005 HOLES + .003 ANGLES - .001 SHT. MET BENDS ± 1/2°</p> | | | |
| <p>NAME: GUZZLER SUB-BOARD</p> <p>MATLS.</p> | | <p>DATE: 3-30-83</p> | |
| <p>OC. APV'D</p> | | <p>SCALE</p> | |
| <p>PROD. APV'D</p> | | <p>PART NO.</p> | |
| <p>QTY.</p> | | <p>FINISH</p> | |
| <p>ASSEMBLY NO.</p> | | <p>REV.</p> | |
| <p>HI/LEAH, FLORIDA 33014</p> | | | |

PARTS LIST

GUZZLER KIT W/MODIFIED P.C.B.

1. Integrated Circuit

| <u>Description</u> | <u>Part No.</u> | <u>Q'ty</u> |
|--------------------|-----------------|-------------|
| 74LS00 | 501-0102 | 4 |
| 74LS02 | 501-0105 | 4 |
| 74LS04 | 501-0108 | 5 |
| 74LS08 | 501-0153 | 9 |
| 74LS10 | 501-0112 | 1 |
| 74LS11 | 501-0165 | 1 |
| 74LS21 | 501-0196 | 1 |
| 7425 | 501-0115 | 2 |
| 74LS27 | 501-0259 | 2 |
| 74LS32 | 501-0156 | 6 |
| 74LS74 | 501-0121 | 10 |
| 74LS86 | 501-0125 | 10 |
| 74LS93 | 501-0127 | 1 |
| 74LS107 | 501-0129 | 1 |
| 74LS126 | 501-0402 | 1 |
| 74LS138 | 501-0200 | 5 |
| 74LS139 | 501-0170 | 4 |
| 74LS157 | 501-0141 | 17 |
| 74LS161 | 501-0137 | 6 |
| 74LS163 | 501-0184 | 2 |
| 74LS174 | 501-0135 | 5 |
| 74LS175 | 501-0158 | 3 |
| 74LS194 | 501-0186 | 12 |
| 74LS245 | 501-0202 | 6 |
| 74LS259 | 501-0190 | 1 |
| 74LS273 | 501-0205 | 4 |
| 74LS283 | 501-0207 | 2 |
| 74LS367 | 501-0176 | 5 |
| 74LS368 | 501-0211 | 6 |
| 74LS374 | 501-0204 | 2 |
| Z80A | 501-0093 | 2 |
| 2114 | 501-0077 | 8 |
| 2125 | 501-0067 | 7 |
| 2128 OKIJ | 501-0074 | 2 |
| 2732 | 500-0008 | 15 |
| 2764 | 500-0023 | 1 |
| 82S123 | 500-0010 | 1 |
| 82S129 | 500-0011 | 2 |
| AY-3-8910 | 501-0237 | 2 |
| M51516L | 501-0249 | 1 |
| MSM4020 | 501-0351 | 1 |
| PAL10L8 | 500-0024 | 1 |
| TC40H004 | 501-0401 | 1 |

2. Resistors

| <u>Description</u> | <u>Part No.</u> | <u>Q'ty</u> |
|--------------------|-----------------|-------------|
| 100 Ohm 1/4W | 503-0411 | 1 |
| 220 " " | 503-0433 | 22 |
| 330 " " | 503-0425 | 2 |
| 470 " " | 503-0407 | 2 |
| 1K " " | 503-0413 | 14 |
| 4.7K " " | 503-0405 | 6 |
| 10K " " | 503-0417 | 1 |
| 20K " " | 503-0440 | 1 |
| 1M " " | 503-0423 | 1 |
| 1K Ohm 9P Dip | 504-1024 | 13 |
| 5.6K Ohm 9P Dip | 504-1035 | 1 |
| 390 Ohm 1/4W | 503-0561 | 1 |
| 1K Ohm Pot. | 512-0655 | 1 |

3. Capacitors

| <u>Description</u> | <u>Part No.</u> | <u>Q'ty</u> |
|--------------------|-----------------|-------------|
| 0.1 Mfd Ceramic | 515-0712 | 101 |
| 0.1 " " | 515-0700 | 6 |
| 200 Pfd " | 515-0803 | 1 |
| 1000 Pfd " | 515-0712 | 6 |
| 0.01 Mfd Mylar | 517-0768 | 1 |
| 0.15 " " | 517-0790 | 1 |
| 2.2 Mfd E.E. | 516-0907 | 6 |
| 4.7 " " | 516-0906 | 1 |
| 10 " " | 516-0859 | 1 |
| 47 " " | 516-0816 | 1 |
| 100 " " | 516-0819 | 1 |
| 470 " " | 516-0905 | 1 |
| 100 " " | 516-0873 | 1 |
| 1000 " " | 516-0813 | 2 |

4. Diodes

| <u>Description</u> | <u>Part No.</u> | <u>Q'ty</u> |
|--------------------|-----------------|-------------|
| 1N4001 | 510-0601 | 2 |
| 1N914 | 510-0603 | 1 |

5. Miscellaneous

| <u>Description</u> | <u>Part No.</u> | <u>Q'ty</u> |
|--------------------|-----------------|-------------|
| Crystal | | |
| 18.432 Mhz | 507-0554 | 1 |
| Crystal | | |
| 4.000 Mhz | 507-0566 | 1 |
| Dip Sw 4P | 506-1002 | 1 |
| Dip Sw 8P | 506-1000 | 1 |
| L.E.D. | 510-0602 | 2 |