

This document has been downloaded from:



The largest resource for amusement machines
documentation on the world wide web!



FLIPPERSPILL.COM



TECHNICAL BULLETIN

POINT BLANK 2

Two problems have been identified on games with the following serial numbers:-

40482 to 40501 (inclusive)

40524 to 40563 (inclusive)

Only games with the above serial numbers are affected. All other games are correct.

Problems Identified

The loudspeakers have been wired 'out of phase' resulting in a loss of bass tone.

The master volume has been set too low.

Although the above problems will not cause any short or long term damage to the game it is vital that these problems are rectified to maximise profit from these games.

The following instructions detail the remedial work required to improve the sound quality of the game.

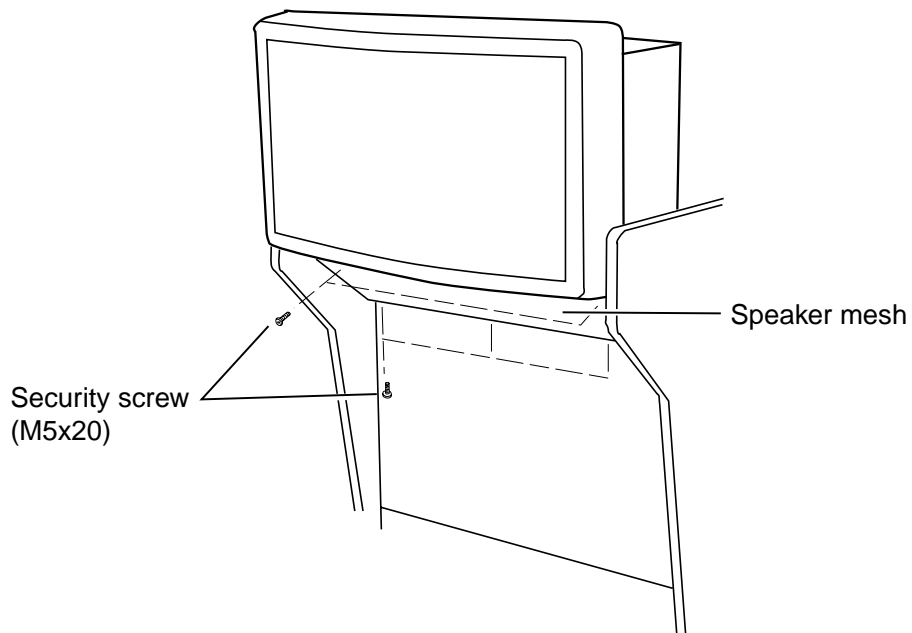
Parts Supplied

0.110" Receptacle	1off
0.187" Receptacle	1off

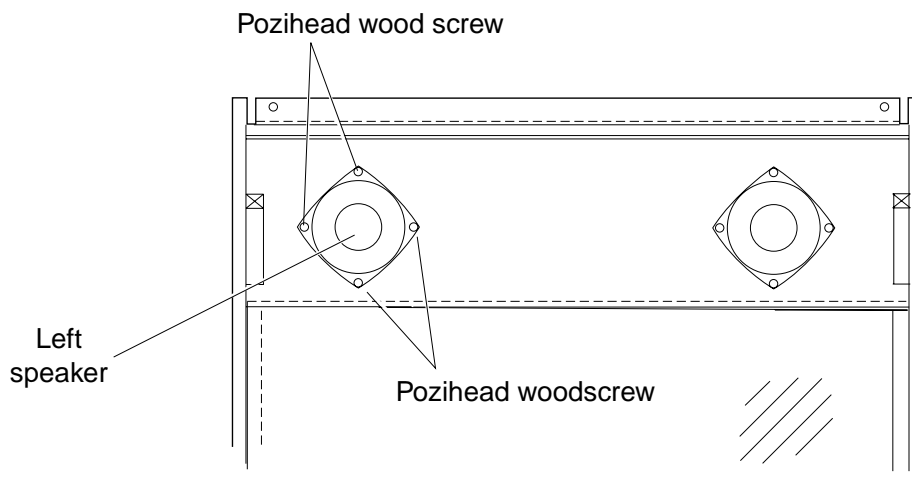
Tools Required.

No1 Pozi screwdriver
No2 Pozi screwdriver
M5 Security wrench
Wire cutters
Crimp tool

1. **SWITCH THE GAME OFF.**
2. Remove 5 off security screw (M5x20) and remove the speaker mesh.

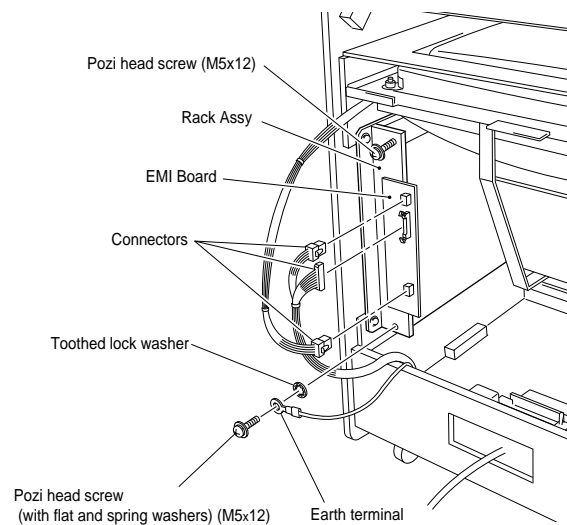


3. Remove 4 off pozi head wood screws and remove the left speaker only sufficiently to access the speaker connections.
Note: Take care not to damage the speaker cone.

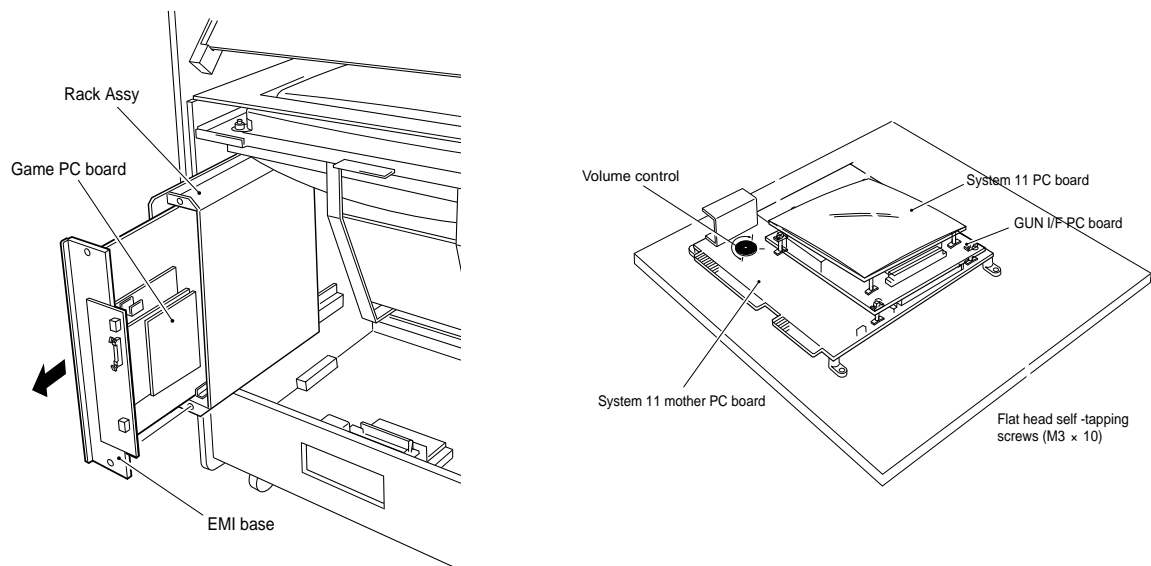


4. Disconnect the speaker.
5. Cut off the 0.110" (smallest) receptacle from the white/violet wire and replace it with the supplied 0.187" receptacle.
6. Cut off the 0.187" receptacle from the white/red wire and replace it with the supplied 0.110" receptacle.
7. Reconnect the speaker and reassemble in reverse order.

8. Open the back door and disconnect the connectors from the EMI Board.
9. Remove 2 off pozi head screws (M5x12) from the rack assembly, taking care not to lose the toothed washer behind the earth terminal.



10. Carefully withdraw the game pcb assembly from the rack assembly only sufficient to gain access to the volume control on the System 11 Mother PC Board.



11. Turn the volume control clockwise to approx $\frac{3}{4}$ of its travel.
12. Ensure that the System 11 Mother PC Board edge connection is fully seated in the edge connector housing of the EMI PC Board and reassemble in reverse order.

NOTE: Ensure that the earth terminal is refitted, with toothed washer, when reassembling.